



US00D641356S

(12) **United States Design Patent**
Ferrari et al.

(10) **Patent No.:** **US D641,356 S**
(45) **Date of Patent:** **** Jul. 12, 2011**

(54) **HANDHELD ELECTRONIC DEVICE**

(75) Inventors: **Marco Sixtus Ferrari**, Waterloo (CA);
Todd Andrew Wood, Guelph (CA); **Min Zhu**, Waterloo (CA); **Di Tao**, Toronto (CA)

(73) Assignee: **Research In Motion Limited**, Waterloo, Ontario (CA)

(**) Term: **14 Years**

(21) Appl. No.: **29/365,609**

(22) Filed: **Jul. 12, 2010**

(51) **LOC (9) Cl.** **14-02**

(52) **U.S. Cl.** **D14/346**

(58) **Field of Classification Search** D14/341-347,
D14/496, 137, 203.1, 203.3, 203.4, 203.5,
D14/203.6, 203.7, 203.9, 238.1, 247, 248,
D14/138 R, 138 AA, 138 AB, 138 AC, 138 AD,
D14/138 C, 138 G; 345/901, 905; 379/433.13,
379/433.12, 916, 433.04, 433.07, 433.11;
455/556.1, 556.2, 566, 575.1, 575.3, 575.4,
455/90.3

See application file for complete search history.

(56) **References Cited**

U.S. PATENT DOCUMENTS

D554,612 S * 11/2007 Wang D14/138 AA
D593,556 S * 6/2009 Hofer et al. D14/346

D593,557 S * 6/2009 Hofer et al. D14/346
D600,229 S * 9/2009 Kangasmaa D14/138 AA
D603,399 S * 11/2009 Hofer et al. D14/346
D603,400 S * 11/2009 Hofer et al. D14/346
D603,401 S * 11/2009 Hofer et al. D14/346
D607,868 S * 1/2010 Kim et al. D14/138 AA
D609,235 S * 2/2010 Leung et al. D14/346
D612,849 S * 3/2010 Ferrari et al. D14/346
D613,740 S * 4/2010 Ferrari et al. D14/346
D618,236 S * 6/2010 Ferrari et al. D14/346
D630,208 S * 1/2011 Ferrari et al. D14/346

* cited by examiner

Primary Examiner — Angela Lee

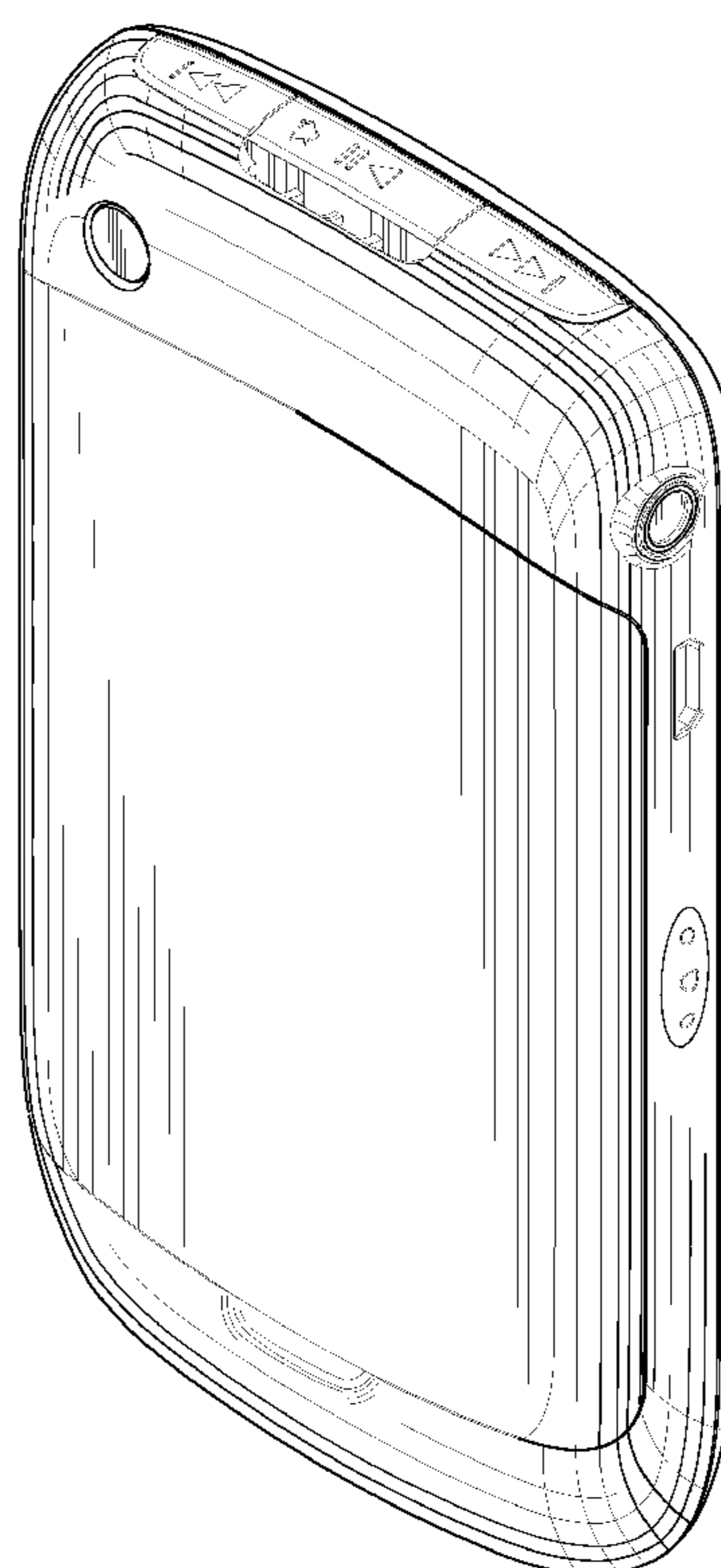
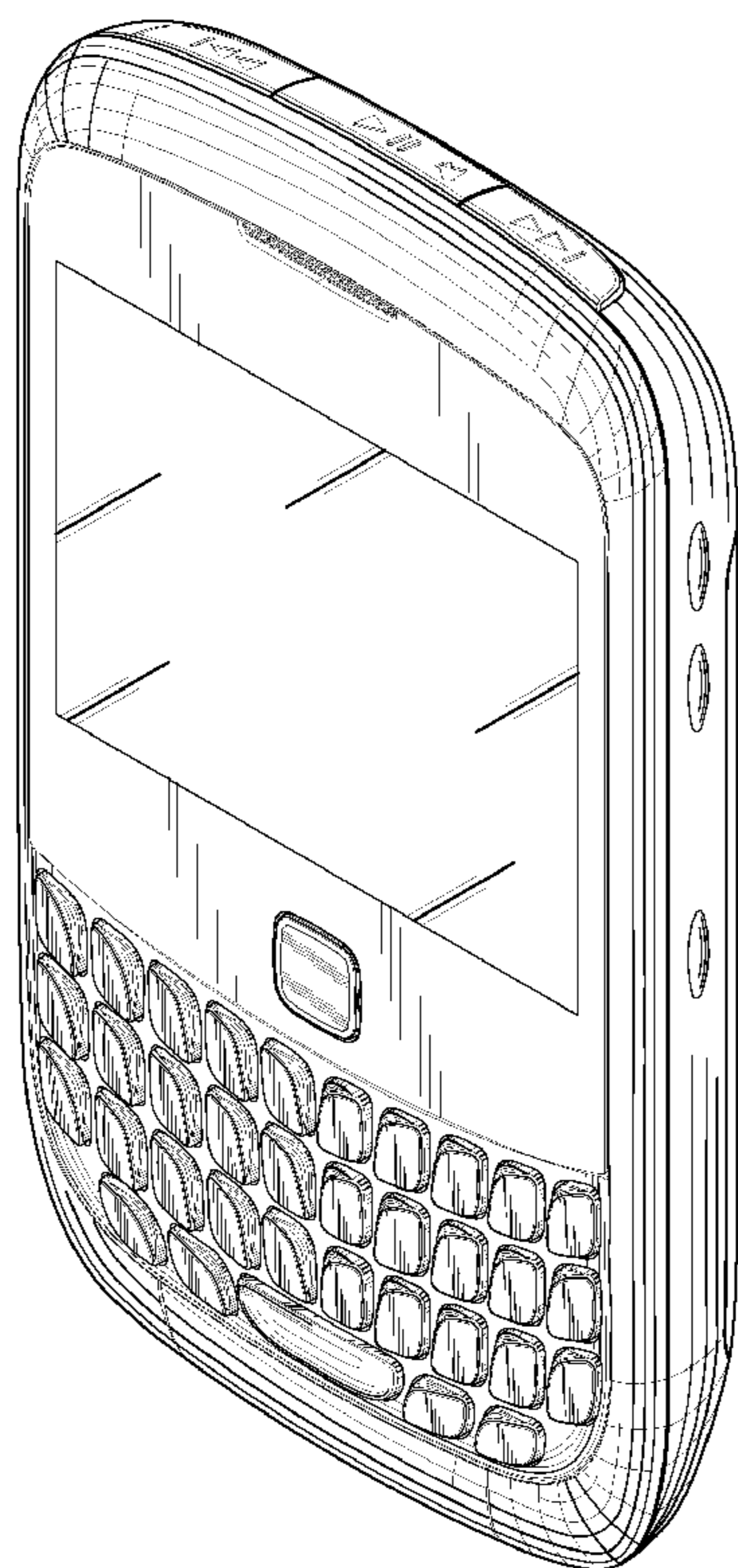
(57) **CLAIM**

We claim the ornamental design for a handheld electronic device, as shown and described.

DESCRIPTION

FIG. 1 is a front perspective view of a handheld electronic device;
FIG. 2 is a back perspective view of a handheld electronic device;
FIG. 3 is a front elevational view thereof;
FIG. 4 is a back elevational view thereof;
FIG. 5 is a right elevational view thereof;
FIG. 6 is a left elevational view thereof;
FIG. 7 is a top plan view thereof; and,
FIG. 8 is a bottom plan view thereof.

1 Claim, 6 Drawing Sheets



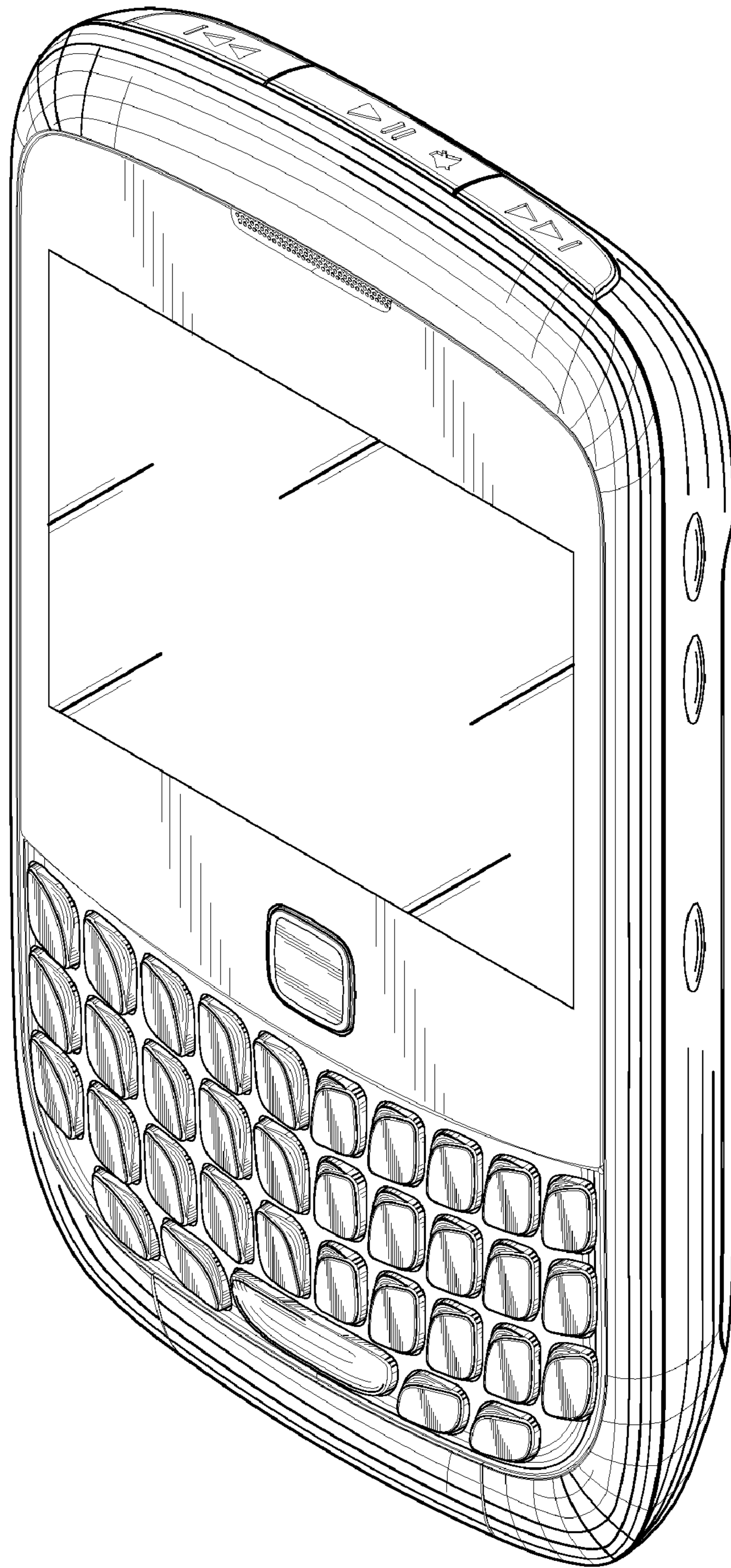


FIG.1

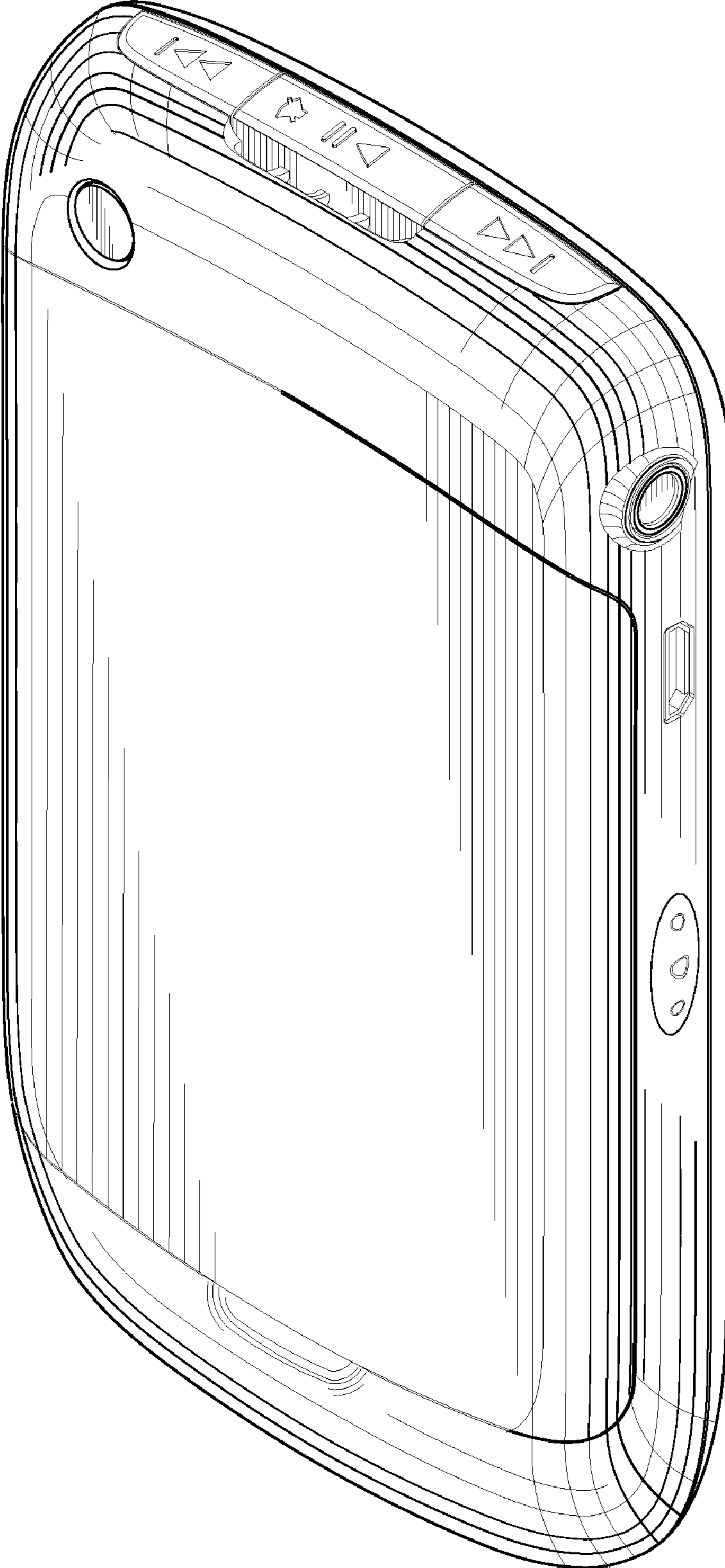


FIG.2

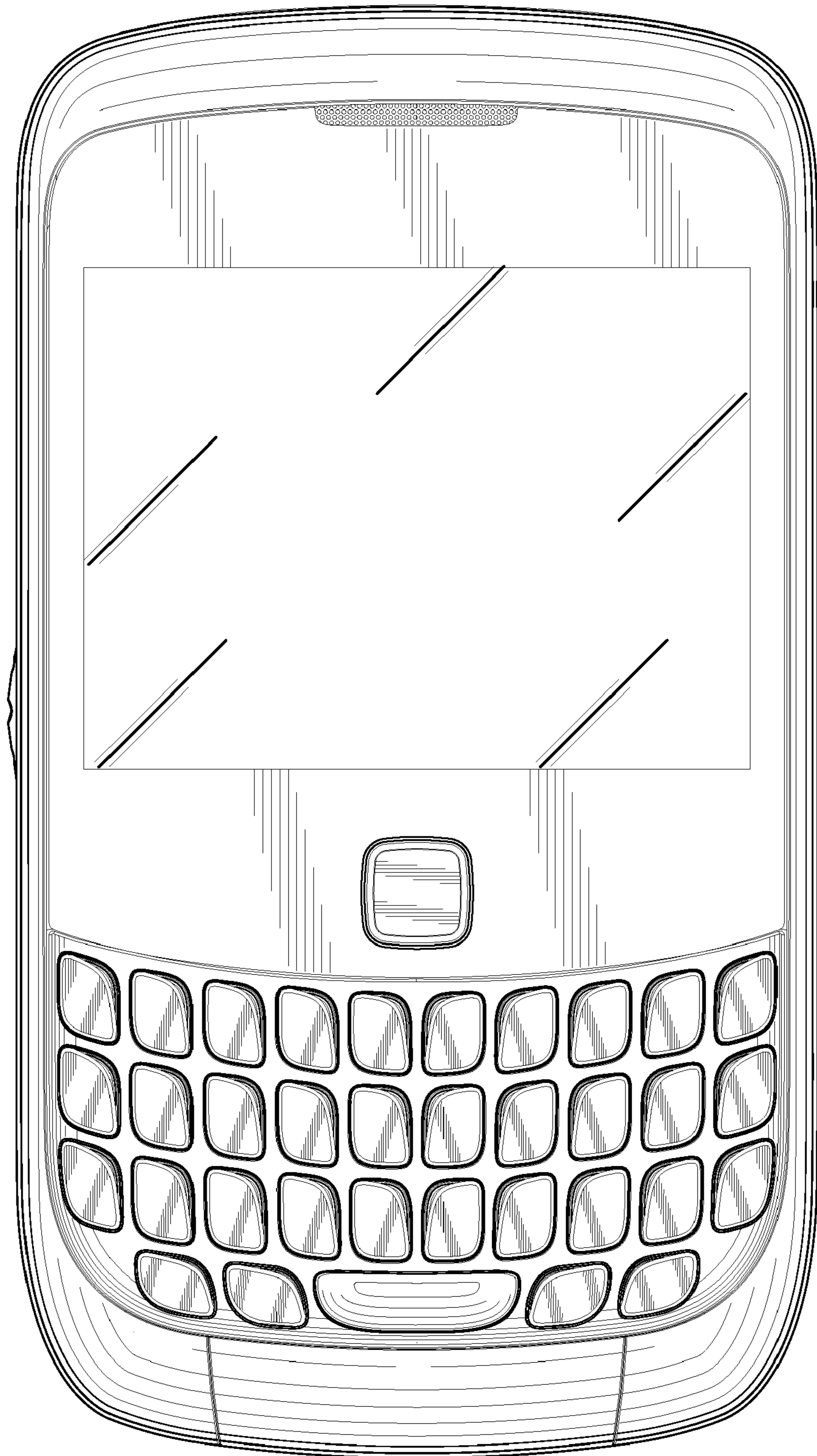


FIG.3

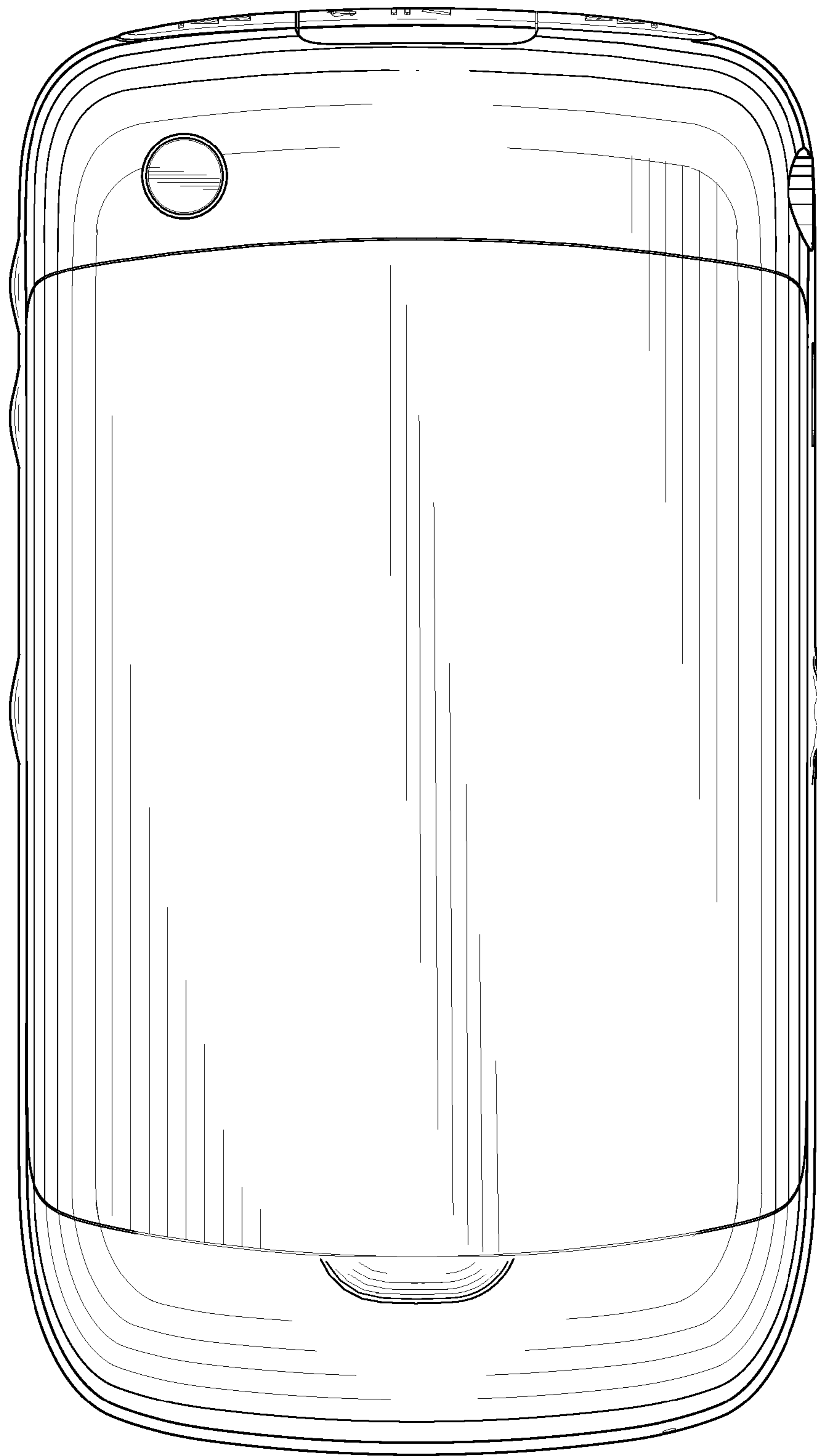


FIG.4

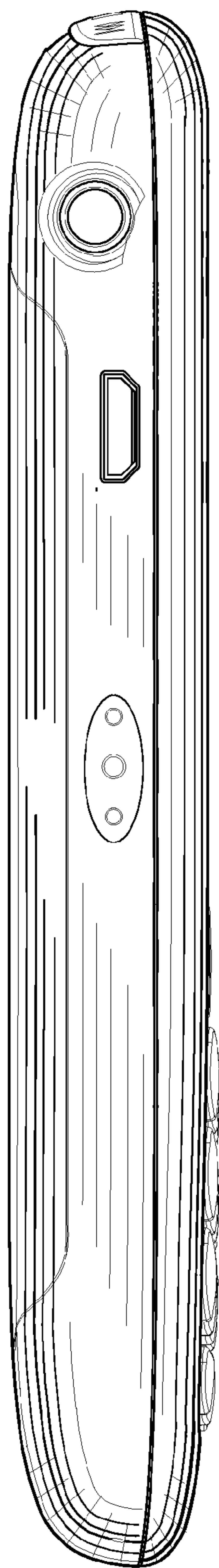


FIG.5

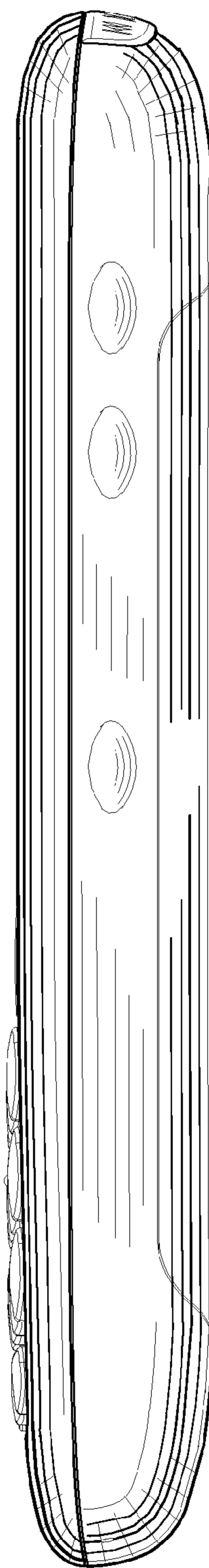


FIG.6

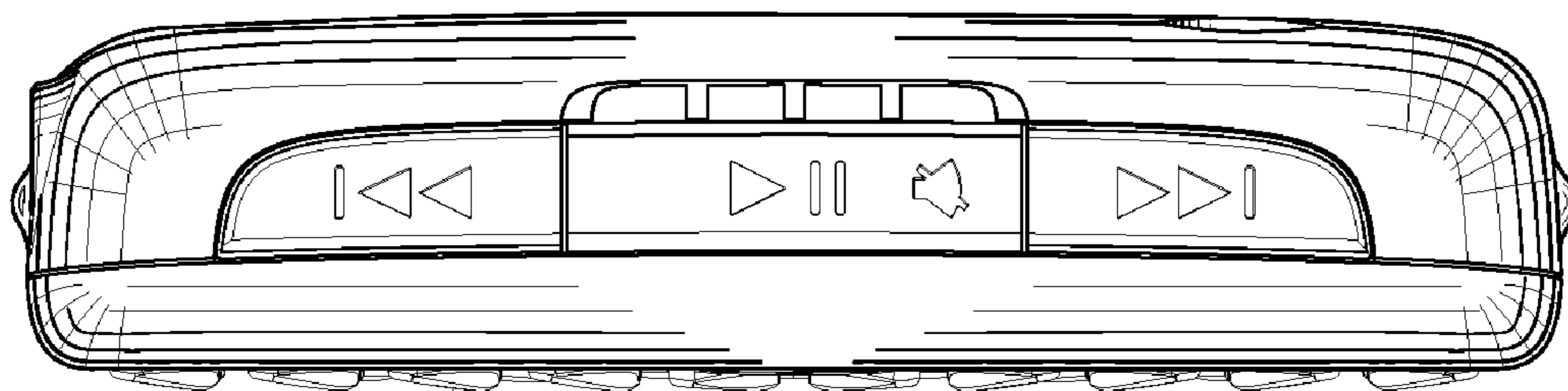


FIG. 7

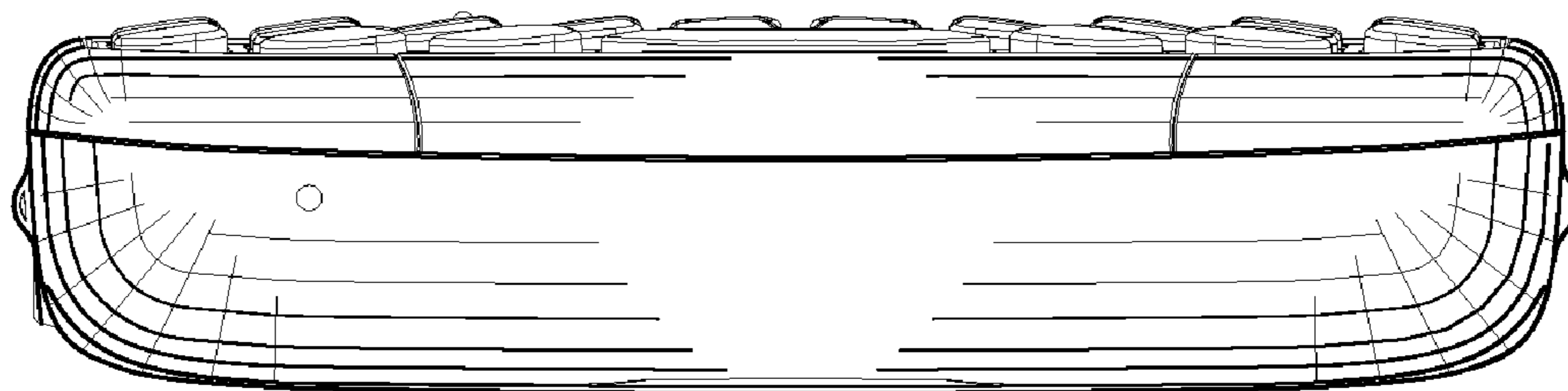


FIG. 8