



US00D641353S

(12) **United States Design Patent**
Rashid et al.

(10) **Patent No.:** **US D641,353 S**

(45) **Date of Patent:** **** *Jul. 12, 2011**

(54) **ELECTRONIC DEVICE**

(75) Inventors: **Osman Rashid**, Fremont, CA (US);
Babur Habib, San Francisco, CA (US);
David M. Straus, Los Altos, CA (US);
Philip J. Houdek, II, San Jose, CA
(US); **Dan Page Wilkins**, San Jose, CA
(US); **Stanislav Moiseyenko**, Mountain
View, CA (US); **Nathan Isaiah Jauvtis**,
San Francisco, CA (US); **Gadi Amit**,
San Mateo, CA (US); **Yoshikazu**
Hoshino, San Francisco, CA (US);
Julien Rouillac, San Francisco, CA
(US); **Barbara A. Stettler**, Oakland, CA
(US)

(73) Assignee: **KNO, Inc.**, Santa Clara, CA (US)

(*) Notice: This patent is subject to a terminal disclaimer.

(**) Term: **14 Years**

(21) Appl. No.: **29/362,896**

(22) Filed: **Jun. 1, 2010**

(51) **LOC (9) Cl.** **14-02**

(52) **U.S. Cl.** **D14/341**

(58) **Field of Classification Search** D14/341-347,
D14/137, 138, 138.1, 138 AA, 138 R, 138 AB,
D14/138 AC, 138 AD, 138 C, 138 G, 496,
D14/203.1, 203.3, 203.4, 203.5, 203.6, 203.7,
D14/426, 427, 428, 432, 429, 129, 130, 420,
D14/439-441, 448, 125, 147, 156, 218, 247-248,
D14/250, 389, 336; D10/65, 104; D18/6-7;
D21/29, 686, 33, 324, 329, 330; D19/60;
345/169, 901, 905; 379/433.04, 433.07,
379/433.11, 433.12, 433.13, 910, 916, 433.01,
379/433.06

See application file for complete search history.

(56) **References Cited**

U.S. PATENT DOCUMENTS

D445,787	S	*	7/2001	Francis	D14/345
D517,545	S	*	3/2006	Buckel et al.	D14/345
7,460,893	B2	*	12/2008	Aarras	455/575.3
D587,704	S	*	3/2009	McCoy	D14/345
7,705,799	B2	*	4/2010	Niwa	345/1.1
D618,683	S	*	6/2010	Wilson et al.	D14/371

(Continued)

OTHER PUBLICATIONS

MSI dual-display Windows 7-based netbook prototype, posted Jan. 9, 2010 [online]. <http://www.pcworld.com>, retrieved from Internet Jun. 29, 2010.*

Instructables.com. "A Traditional Jacob's Ladder". Downloaded Nov. 1, 2010. www.instructables.com/id/A-Traditional-Jacob-s-Ladder.

(Continued)

Primary Examiner — Cathron Brooks

Assistant Examiner — Barbara Fox

(74) *Attorney, Agent, or Firm* — Cooley LLP

(57) **CLAIM**

The ornamental design for an electronic device, as shown and described.

DESCRIPTION

FIG. 1 is a perspective view of an electronic device in a 180 degree open configuration, in accordance with the present invention.

FIG. 2 is a perspective view thereof in a closed configuration; FIG. 3 is a perspective view thereof in a 360 degree open configuration;

FIG. 4 is a top plan view thereof;

FIG. 5 is a rear elevation view thereof;

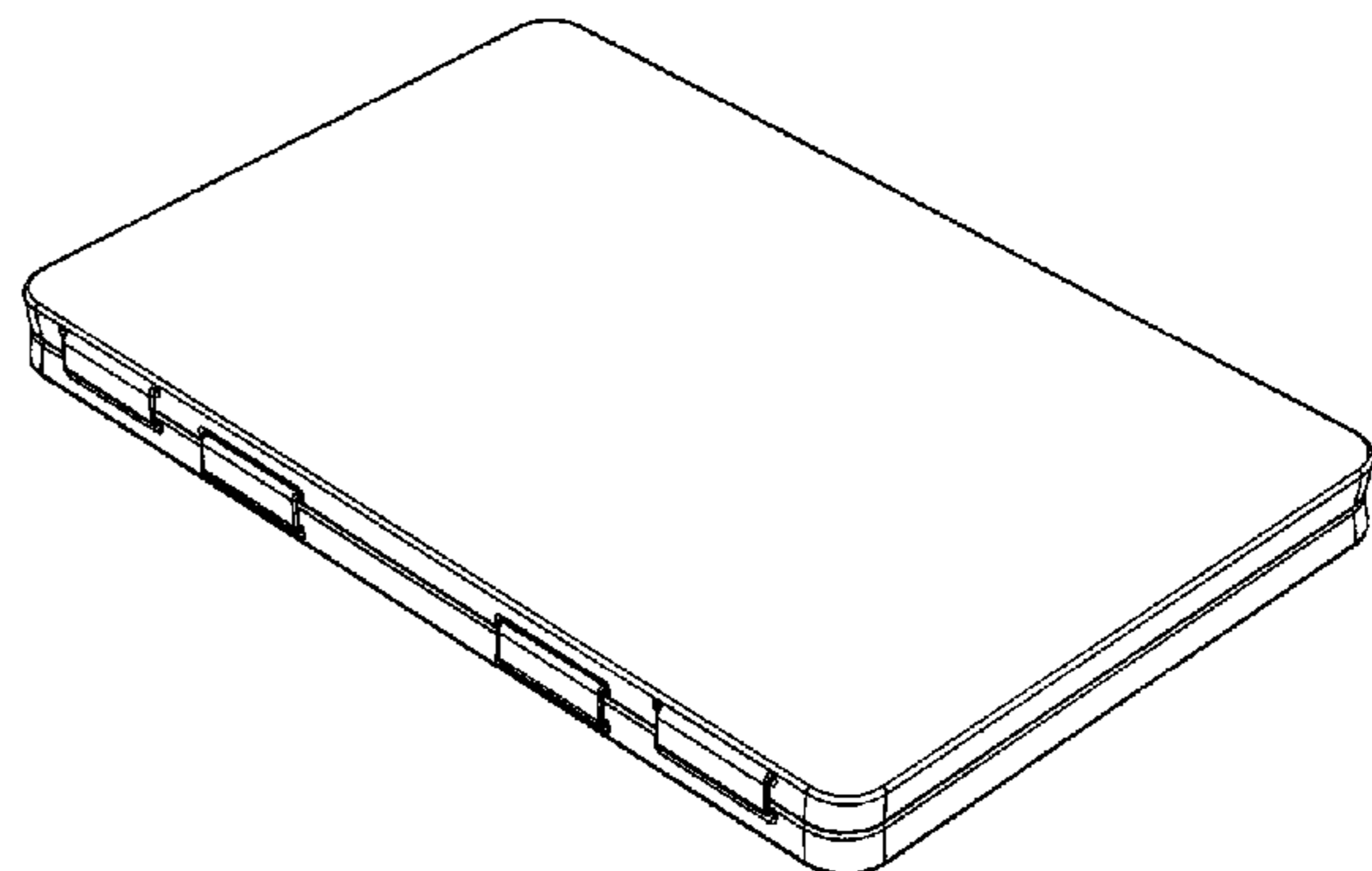
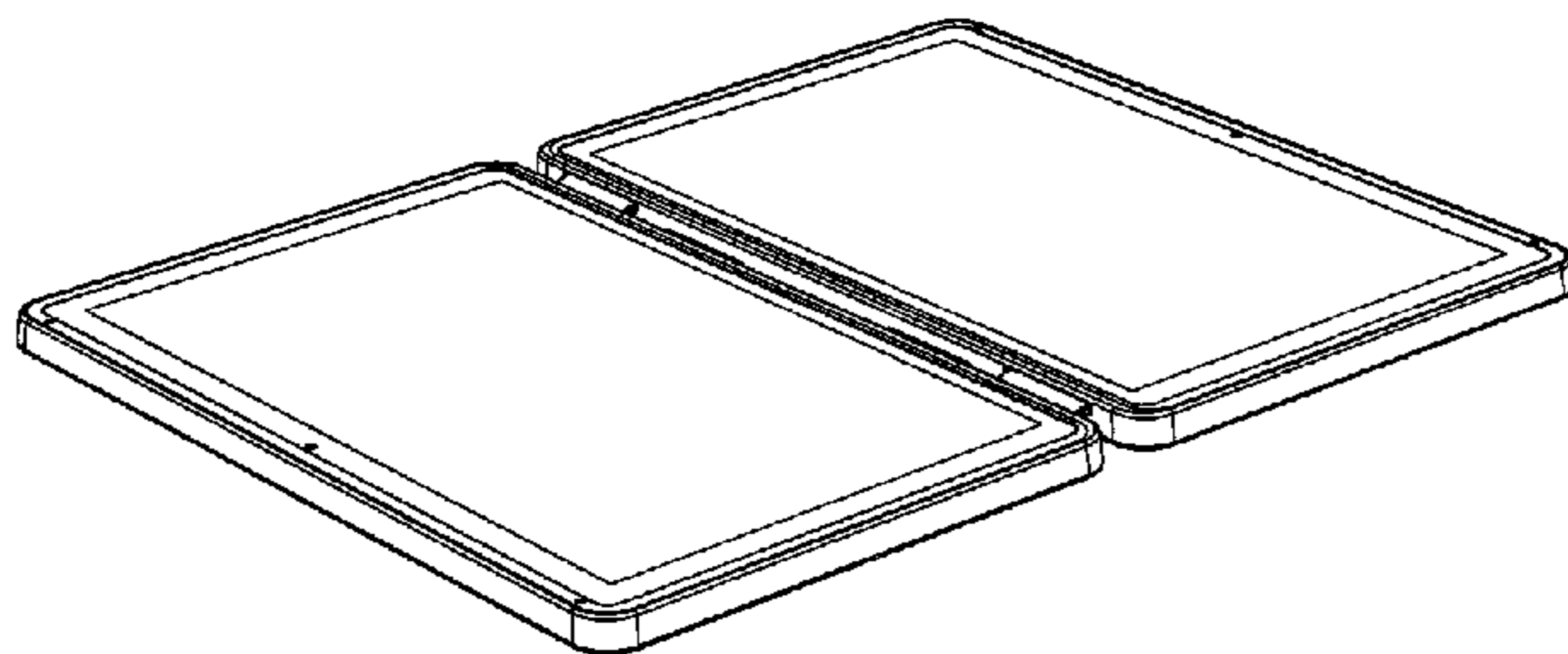
FIG. 6 is a right side view thereof;

FIG. 7 is a front elevation view thereof;

FIG. 8 is a bottom plan view thereof; and,

FIG. 9 is a left side view thereof.

1 Claim, 9 Drawing Sheets



US D641,353 S

Page 2

U.S. PATENT DOCUMENTS

7,755,882 B2 * 7/2010 Guo 361/679.09
D626,124 S * 10/2010 Chyan et al. D14/341
2003/0179541 A1 * 9/2003 Sullivan 361/681
2006/0214919 A1 * 9/2006 Moore et al. 345/173
2009/0219254 A1 * 9/2009 Lai et al. 345/173
2010/0149104 A1 * 6/2010 Sim et al. 345/169
2010/0157518 A1 * 6/2010 Ladouceur et al. 361/679.09

2010/0177047 A1* 7/2010 Brenneman et al. 345/173

OTHER PUBLICATIONS

Libretto w100, Google Search Results, downloaded Nov. 1, 2010.
Entourage Edge, Google Search Results, downloaded Nov. 1, 2010.
Microsoft Courier Tablet, Google Search Results, downloaded Nov. 1, 2010.

* cited by examiner

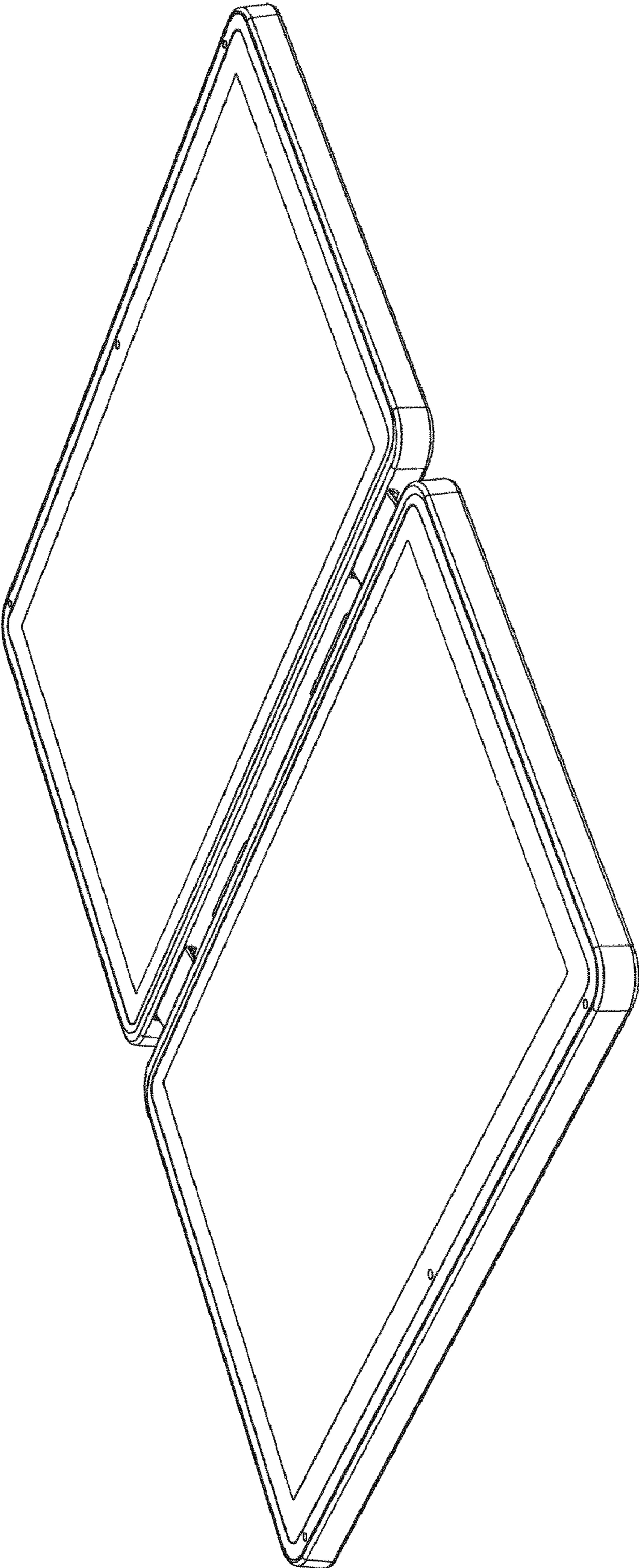


FIG. 1

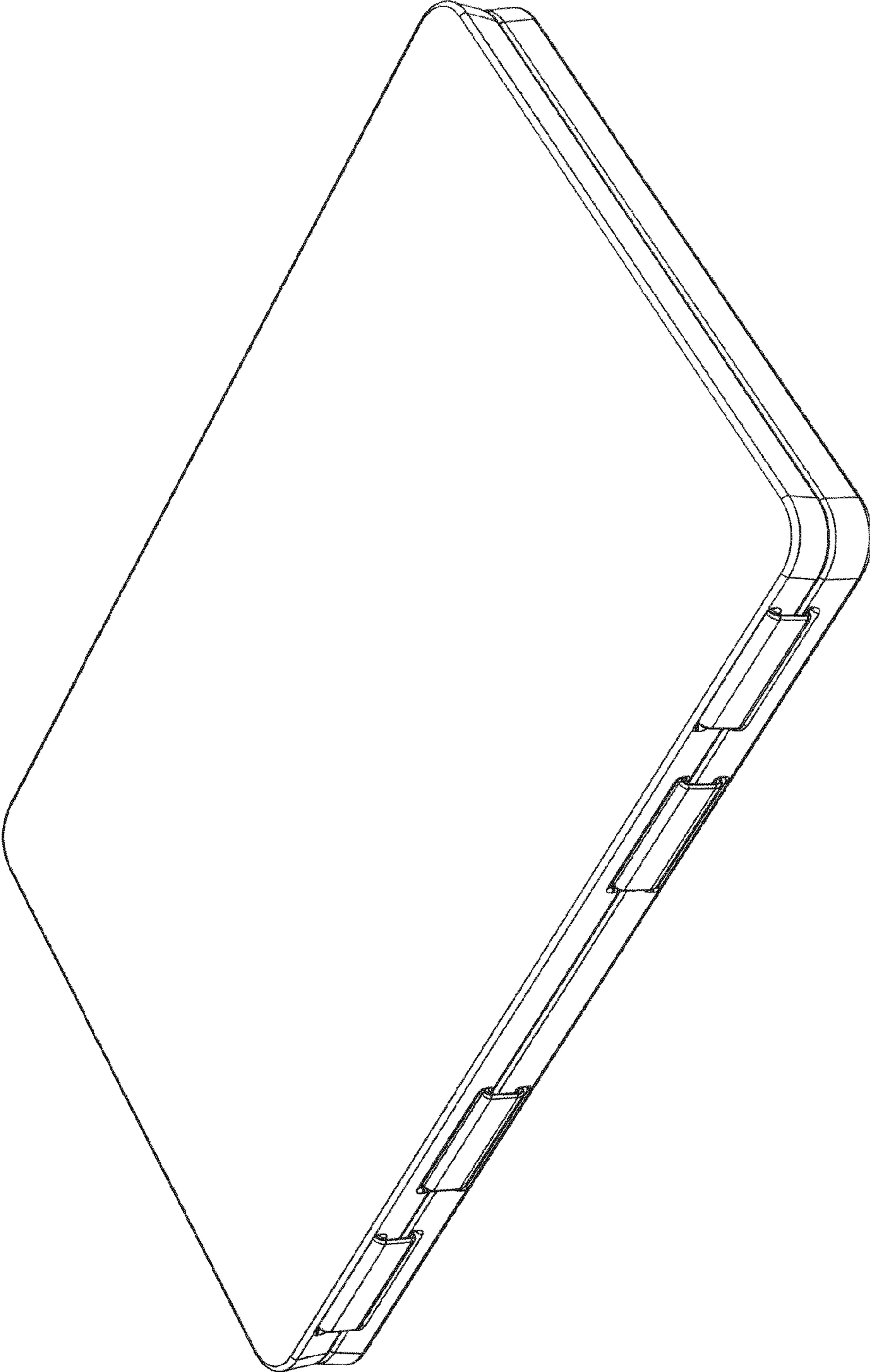


FIG. 2

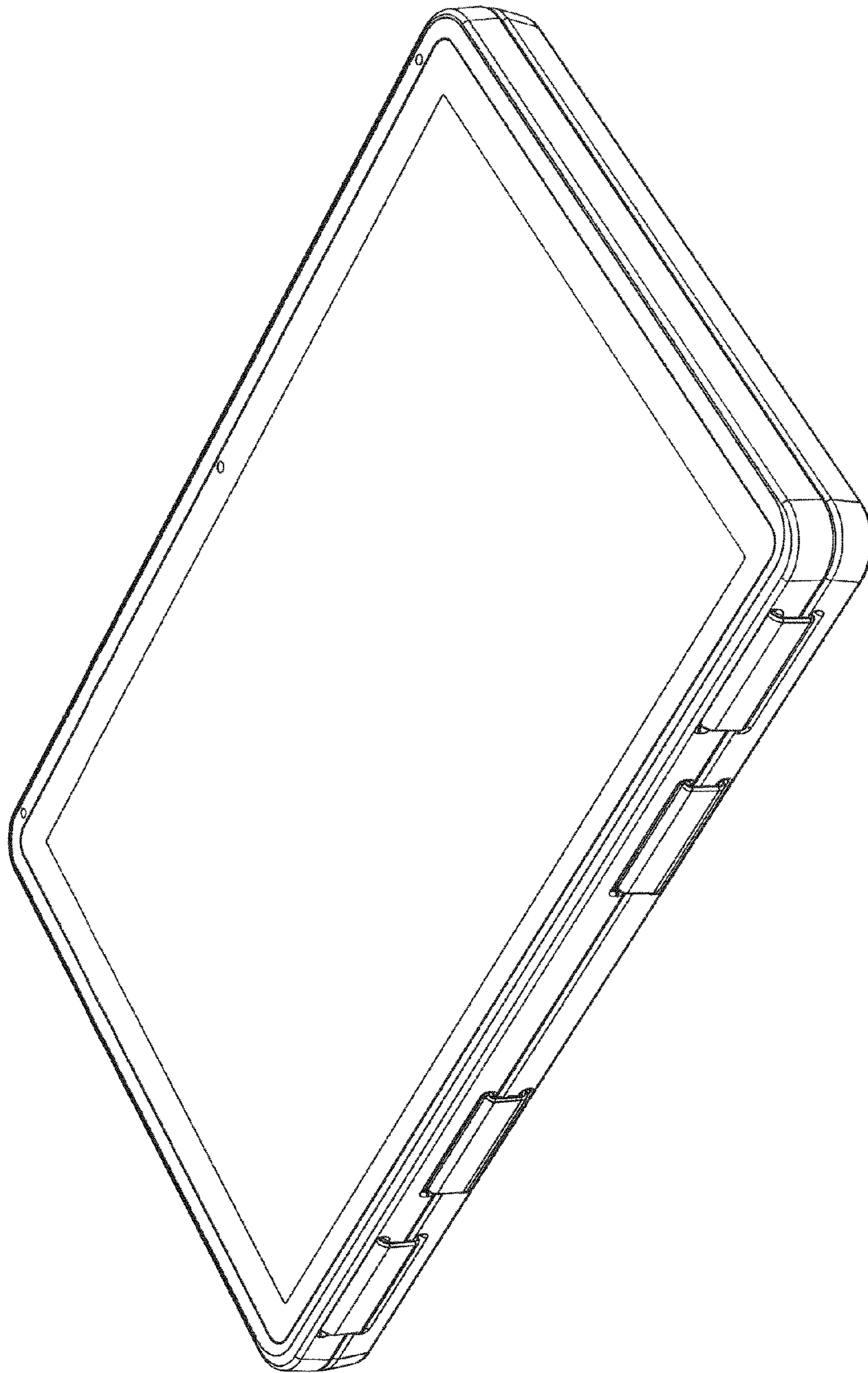


FIG. 3

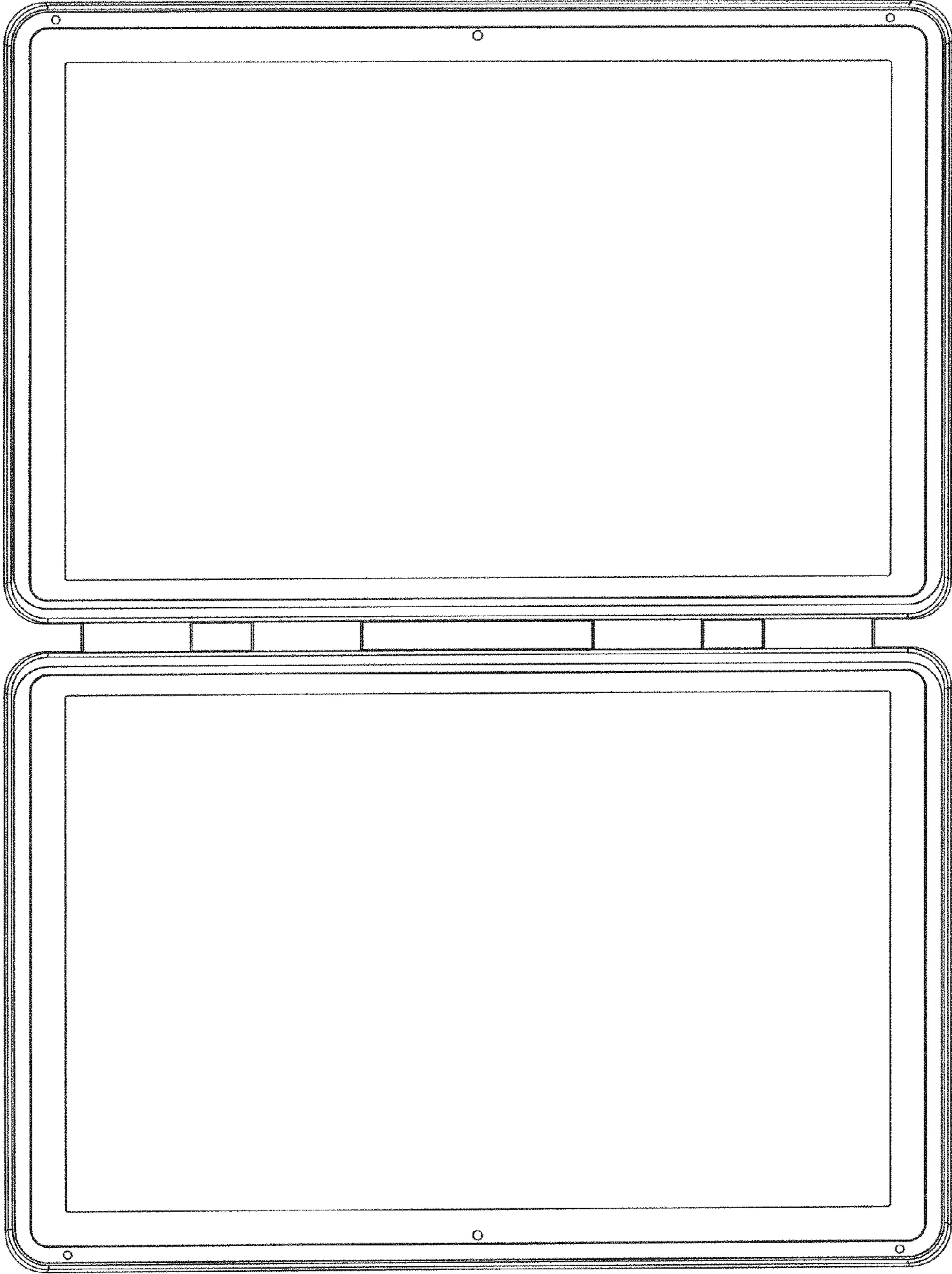


FIG. 4



FIG. 5

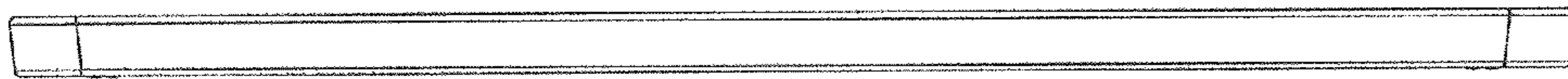


FIG. 6

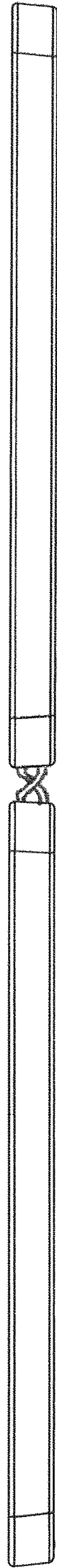


FIG. 7

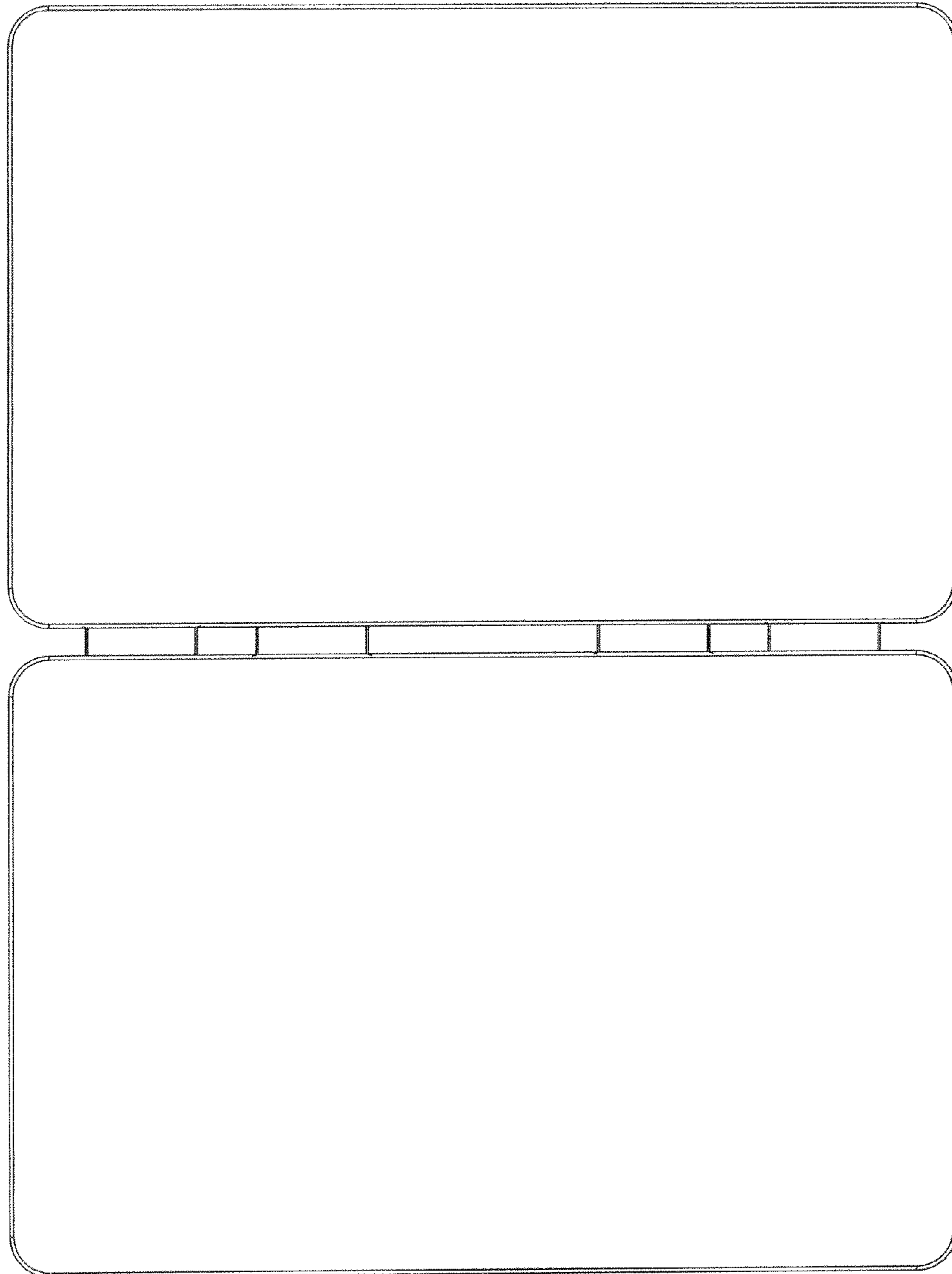


FIG. 8

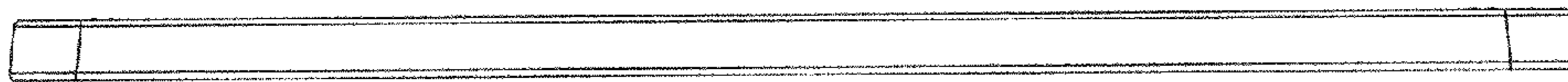


FIG. 9