



US00D641352S

(12) **United States Design Patent**
Flagiello et al.

(10) **Patent No.:** **US D641,352 S**
(45) **Date of Patent:** **** Jul. 12, 2011**

(54) **ELECTRONIC DOCUMENT READER**

(75) Inventors: **Caroline Flagiello**, San Francisco, CA (US); **Martin Zabaleta**, Menlo Park, CA (US); **James Yurchenco**, Palo Alto, CA (US); **Francis James Canova, Jr.**, Fremont, CA (US); **Carl Hayton**, Cambridge (GB); **Kenneth Ralph Venegas**, San Jose, CA (US)

(73) Assignee: **Plastic Logic Limited**, Cambridgeshire (GB)

(**) Term: **14 Years**

(21) Appl. No.: **29/361,991**

(22) Filed: **May 18, 2010**

(30) **Foreign Application Priority Data**

Nov. 18, 2009 (EM) 001178552-0001
Nov. 18, 2009 (EM) 001178552-0002

(51) **LOC (9) Cl.** **14-02**

(52) **U.S. Cl.** **D14/341**

(58) **Field of Classification Search** D14/341-347, D14/137, 138, 138.1, 138 AA, 138 R, 138 AB, D14/138 G, 138 A, 496, 426, 429, 129, 130, D14/420, 439-441, 448, 125, 147, 156, 218, D14/250, 336, 203.1, 203.3, 203.4, 203.7, D14/315, 388-390; D21/324, 329, 330; D10/65, 104; D18/6-7; 345/169, 901, 905, 345/156, 157, 168, 173; 361/680, 686, 679.27, 361/679.3; 379/433.04, 433.07, 433.11, 379/916, 433.01, 433.06

See application file for complete search history.

(56) **References Cited**

U.S. PATENT DOCUMENTS

D284,084 S * 6/1986 Ferrara, Jr. D14/389
D320,982 S * 10/1991 Siddoway D14/137
D482,026 S * 11/2003 Helin D14/248
D488,809 S * 4/2004 Kamegi D14/318

D500,991 S * 1/2005 Niitsu D14/126
D504,889 S * 5/2005 Andre et al. D14/341
D519,501 S * 4/2006 Yamashiro D14/318
D525,975 S * 8/2006 Khovaylo D14/420
7,336,479 B2 * 2/2008 Liu et al. 361/679.27
D565,564 S * 4/2008 Nakagawa et al. D14/315
D569,629 S * 5/2008 Yu et al. D6/308
D580,431 S * 11/2008 Morita D14/341
D584,738 S * 1/2009 Kim et al. D14/496
D585,888 S * 2/2009 Watson et al. D14/341
D586,798 S * 2/2009 Tanaka et al. D14/315
D589,509 S * 3/2009 Takemasa D14/324
D590,374 S * 4/2009 Madonna et al. D14/218
D594,454 S * 6/2009 Honda D14/345
D598,016 S * 8/2009 Han et al. D14/341
D602,487 S * 10/2009 Maskatia D14/341

(Continued)

Primary Examiner — Cathron Brooks

Assistant Examiner — Barbara Fox

(74) *Attorney, Agent, or Firm* — Knobbe, Martens, Olson, and Bear, LLP

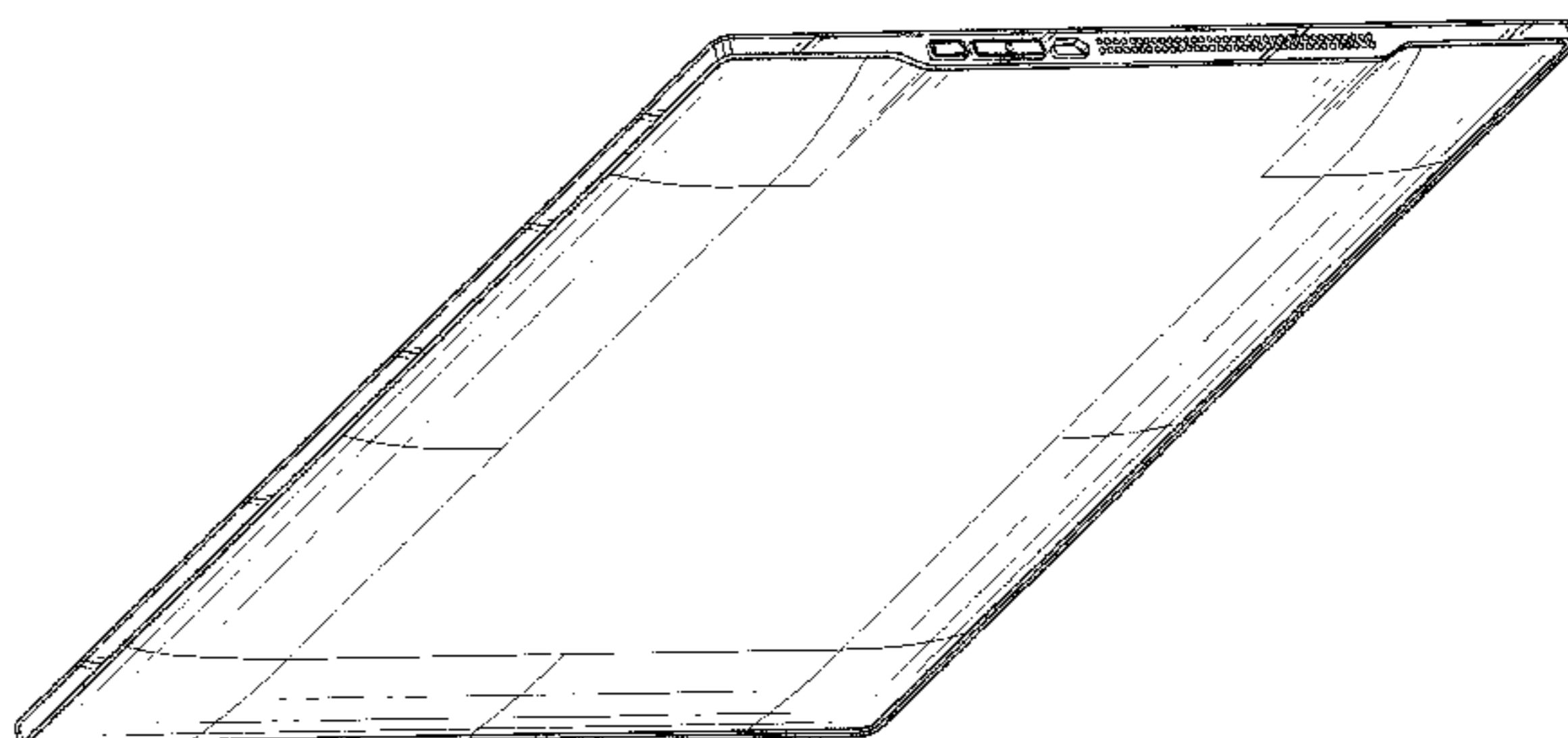
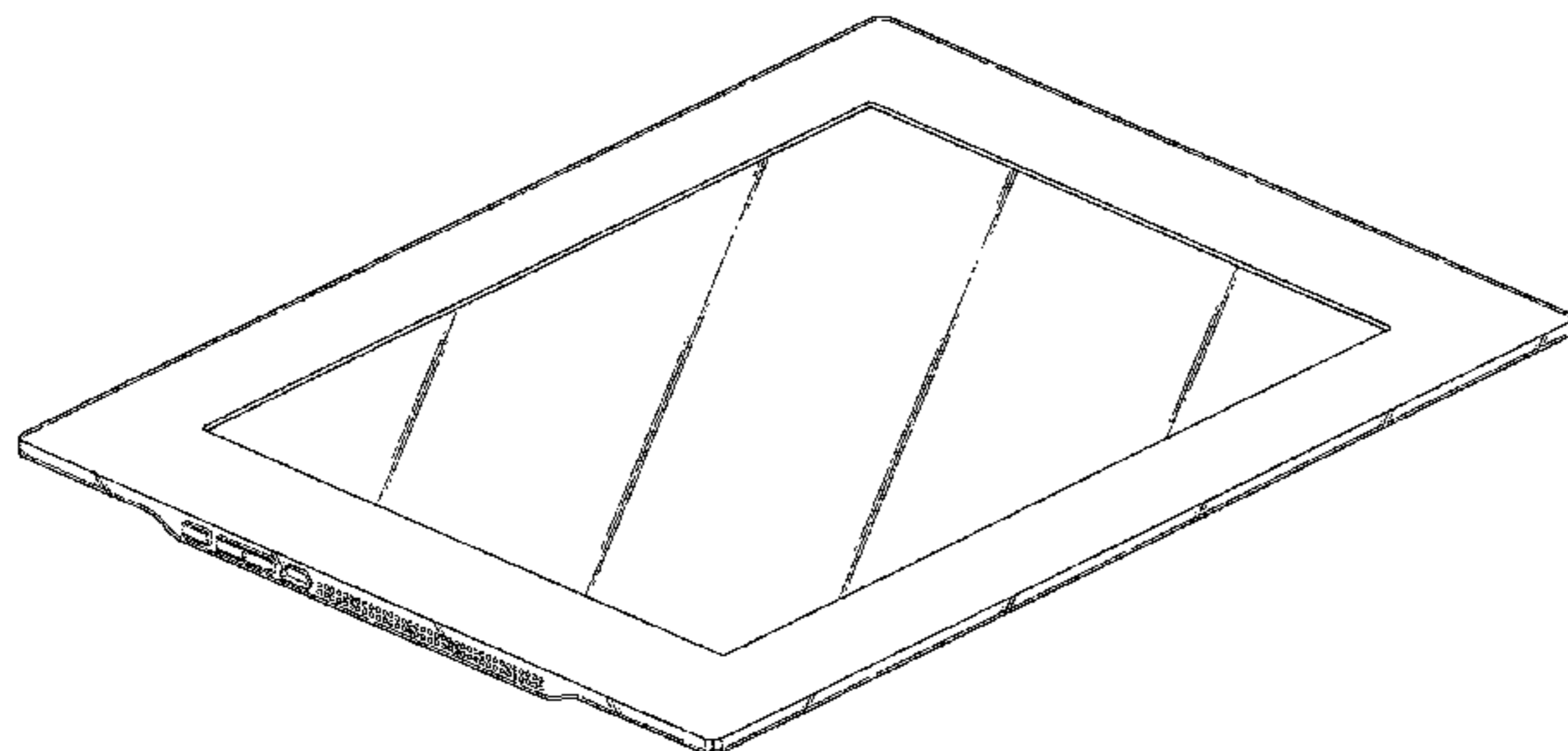
(57) **CLAIM**

The ornamental design for an electronic document reader, as shown and described.

DESCRIPTION

FIG. 1 is a front side, right side, and bottom side perspective view of the electronic document reader of the present design; FIG. 2 is a rear side, left side, and bottom side perspective view of an embodiment of the electronic document reader of FIG. 1; FIG. 3 is a front side elevational view of the electronic document reader of FIG. 1; FIG. 4 is a rear side elevational view of the electronic document reader of FIG. 1; FIG. 5 is a right side elevational view of the electronic document reader of FIG. 1; FIG. 6 is a bottom plan view of the electronic document reader of FIG. 1; and, FIG. 7 is a top plan view of the electronic document reader of FIG. 1.

1 Claim, 5 Drawing Sheets



US D641,352 S

Page 2

U.S. PATENT DOCUMENTS

D605,192 S *	12/2009	Lin	D14/315	D622,692 S *	8/2010	McWilliam et al.	D14/138 G
D608,778 S *	1/2010	Lee et al.	D14/336	2007/0120878 A1 *	5/2007	Hsiao et al.	345/905
D610,582 S *	2/2010	Sugitani et al.	D14/336	2009/0160790 A1 *	6/2009	Fukushima et al.	345/173
D613,951 S *	4/2010	Tang et al.	D6/308	2009/0231292 A1 *	9/2009	Hsieh et al.	345/173
D617,793 S *	6/2010	Chiang et al.	D14/341				

* cited by examiner

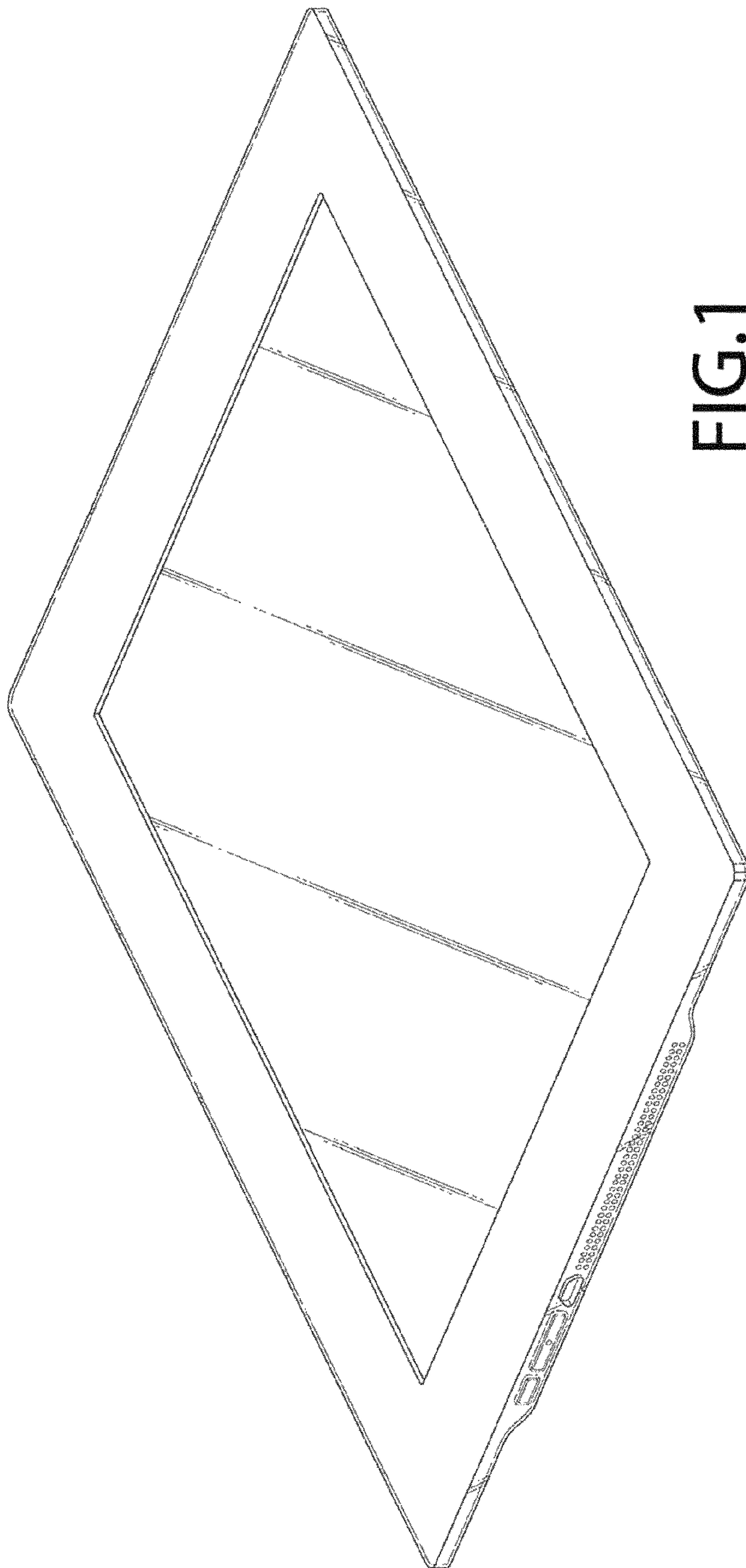


FIG.1

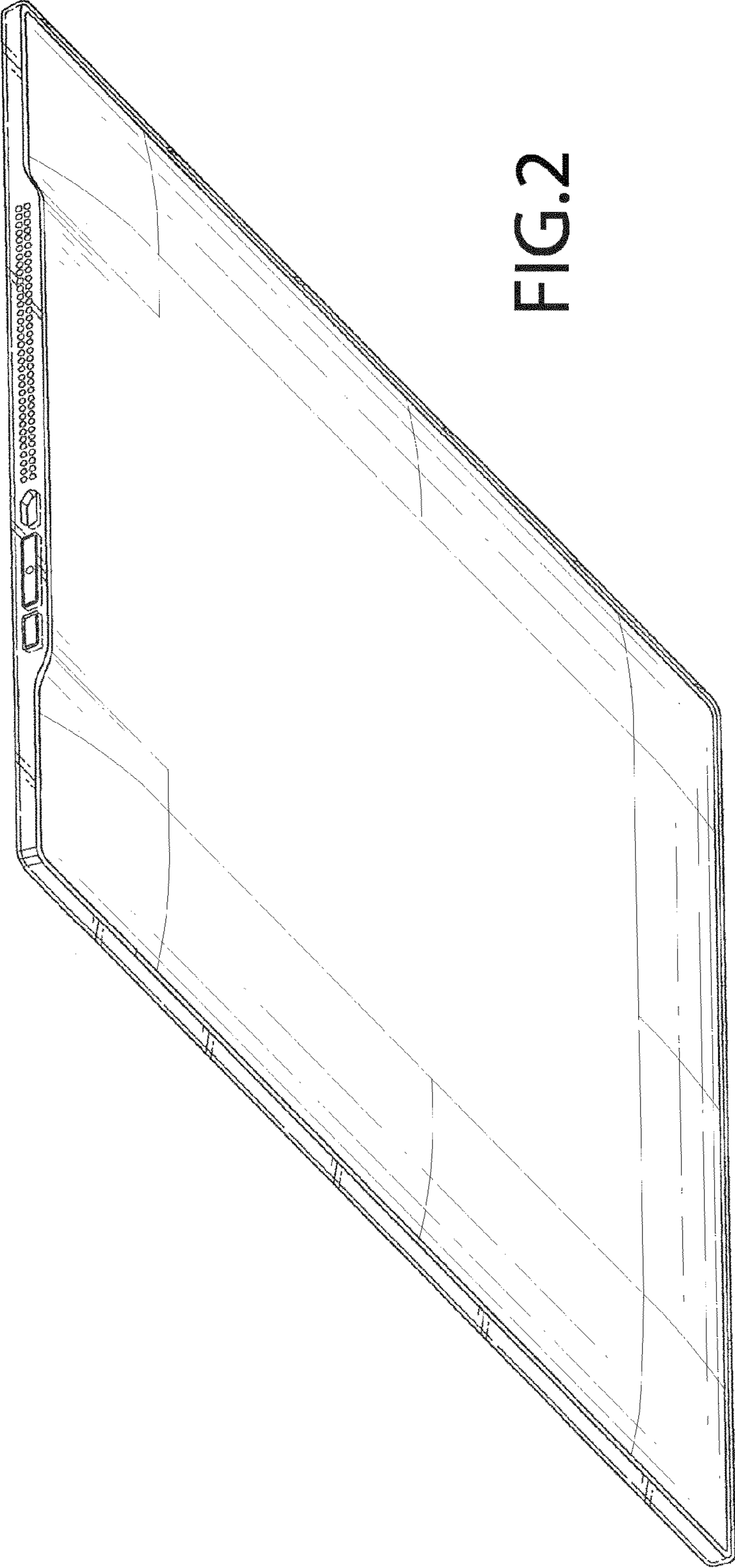


FIG. 2

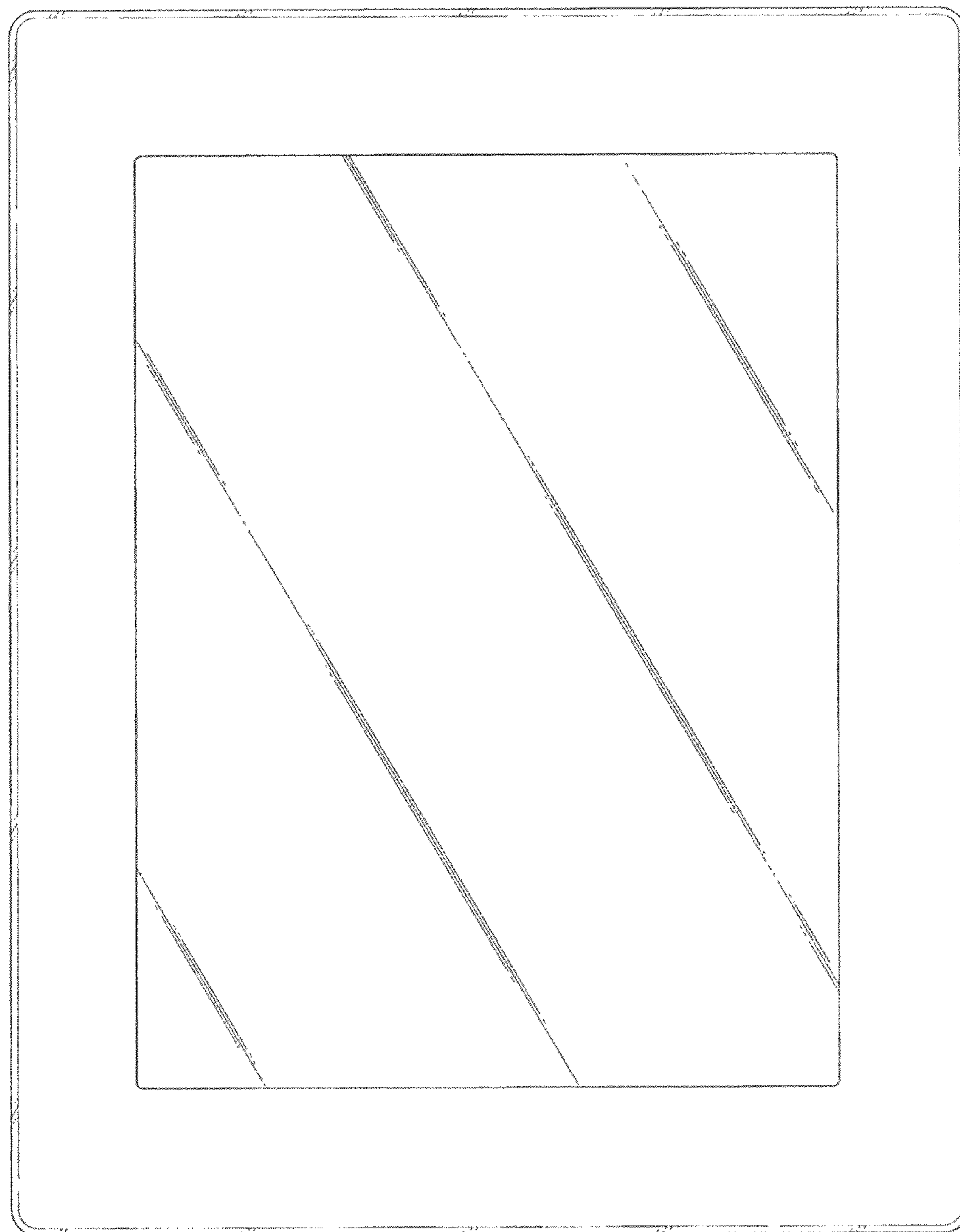


FIG.3

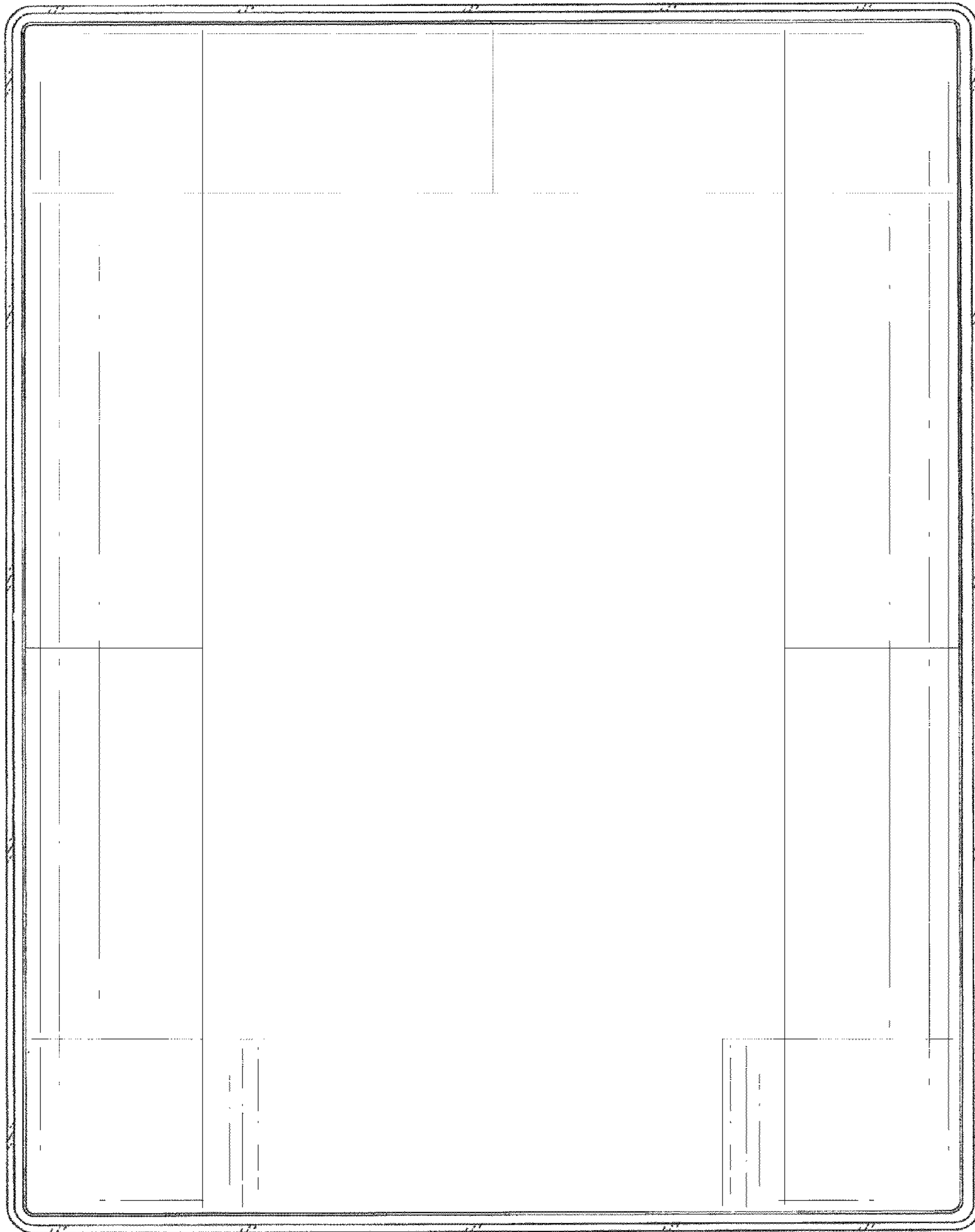


FIG.4



FIG. 7



FIG. 6



FIG. 5