



US00D641342S

(12) **United States Design Patent**
Chang

(10) **Patent No.:** **US D641,342 S**
(45) **Date of Patent:** **** Jul. 12, 2011**

(54) **BLUETOOTH CONTROLLER FOR
INSERTION WITH CAR CIGARETTE
LIGHTERS**

(75) Inventor: **Chen-Lin Chang**, Shindian (TW)

(73) Assignee: **Nutek Corp.**, Shindian, Taipei County
(TW)

(**) Term: **14 Years**

(21) Appl. No.: **29/365,243**

(22) Filed: **Jul. 7, 2010**

(51) **LOC (9) Cl.** **14-03**

(52) **U.S. Cl.** **D14/240; D13/144**

(58) **Field of Classification Search** D14/240–242,
D14/356–358, 140, 155, 159, 137, 348, 217,
D14/218; D13/184, 144, 108; 455/550.1,
455/569.2; 361/679.4, 679.56, 679.03, 679.26;
375/311; 320/114; 439/638

See application file for complete search history.

(56) **References Cited**

U.S. PATENT DOCUMENTS

D243,537 S *	3/1977	Wahl	D14/155
D371,793 S *	7/1996	Patton	D14/218
D382,272 S *	8/1997	Shiono	D14/218
D429,718 S *	8/2000	Rudolph	D14/218
D448,365 S *	9/2001	Kerestegian et al.	D14/240
D481,355 S *	10/2003	Lee	D13/108
D509,481 S *	9/2005	Murtaugh et al.	D13/168
D521,460 S *	5/2006	Shimizu	D13/168
D523,413 S *	6/2006	Dayan	D14/155
D524,285 S *	7/2006	Dayan	D14/155
D525,937 S *	8/2006	Seil et al.	D13/144
D530,306 S *	10/2006	Wang et al.	D14/189
D541,254 S *	4/2007	Dayan	D14/155
D548,719 S *	8/2007	Dayan	D14/155
D571,307 S *	6/2008	Gastelum et al.	D13/168
7,400,859 B2 *	7/2008	Dayan	455/41.2
D585,375 S *	1/2009	Andre et al.	D13/133
D594,851 S *	6/2009	Dai	D14/218
D605,177 S *	12/2009	Madonna et al.	D14/218

D609,221 S *	2/2010	Kim et al.	D14/218
7,679,322 B1 *	3/2010	Griffin	320/114
D614,137 S *	4/2010	Son et al.	D13/144
D618,217 S *	6/2010	Harden et al.	D14/218
D621,783 S *	8/2010	Riede	D13/144
D625,267 S *	10/2010	Tseng et al.	D13/144
7,844,303 B2 *	11/2010	Jubelirer	455/569.2
D631,837 S *	2/2011	Smith et al.	D13/108
2005/0282498 A1 *	12/2005	Chen	455/66.1
2007/0093279 A1 *	4/2007	Janik	455/569.1
2007/0111700 A1 *	5/2007	Chen	455/345

(Continued)

OTHER PUBLICATIONS

Remote Control—BHS 221, alibaba.com, posting date not given, [online], [site visited Mar. 12, 2011]. Available from Internet, <URL:http://www.alibaba.com/product-free/260776275/Remote_Control_BHS_221.html>.*

Remote control car fm mp3 transmitter, alibaba.com, posting date not given, [online], [site visited Mar. 12, 2011]. Available from Internet, <URL:http://www.alibaba.com/product-gs/360846127/Remote_control_car_fm_mp3_transmitter.html>.*

Primary Examiner — Jeff D Asch

(74) *Attorney, Agent, or Firm* — Alan Kamrath; Kamrath & Associates PA

(57) **CLAIM**

The ornamental design for a bluetooth controller for insertion with car cigarette lighters, as shown and described.

DESCRIPTION

FIG. 1 is a perspective view of a bluetooth controller for insertion with car cigarette lighters in accordance with my design;

FIG. 2 is a front view thereof;

FIG. 3 is a rear view thereof;

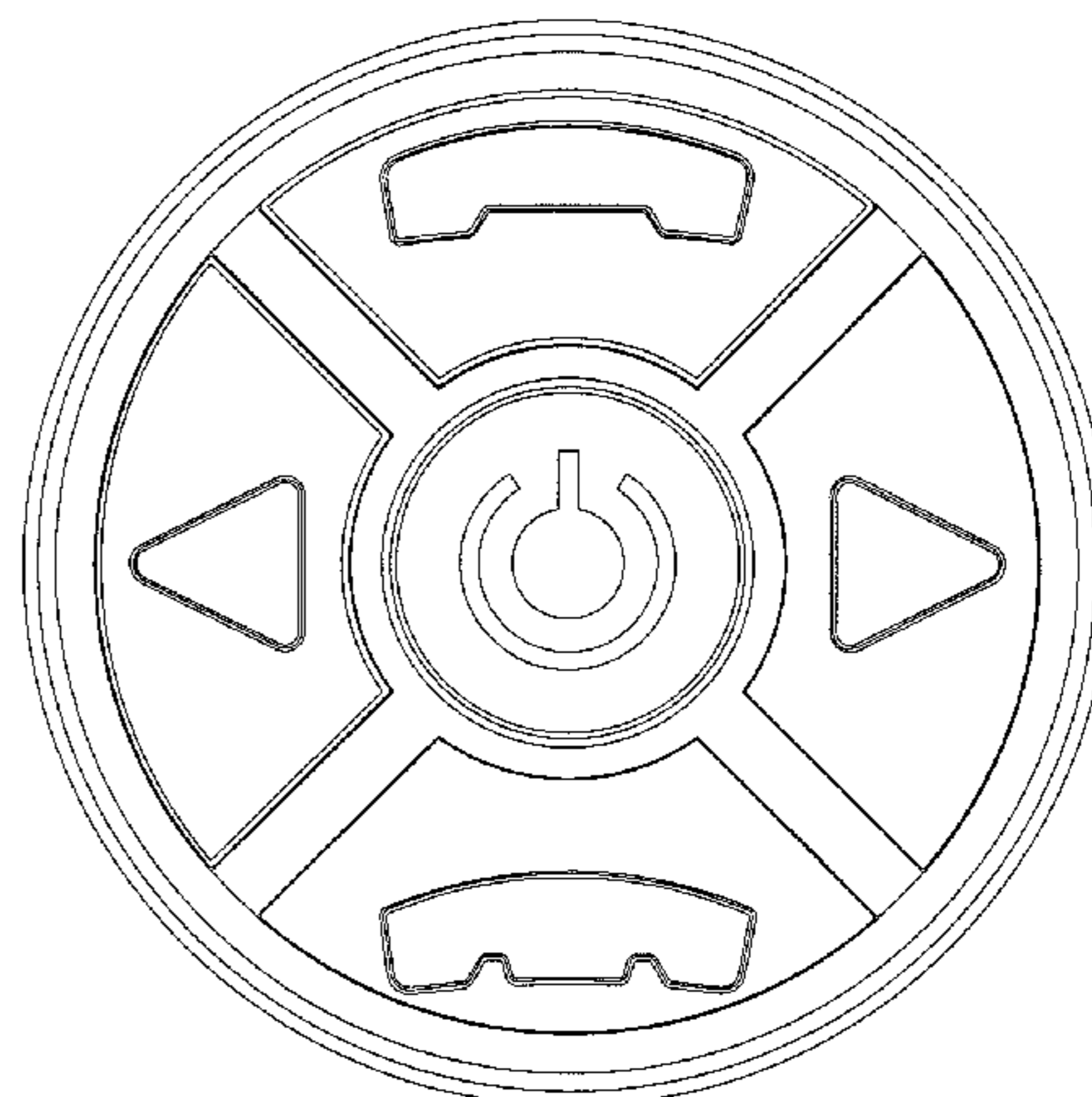
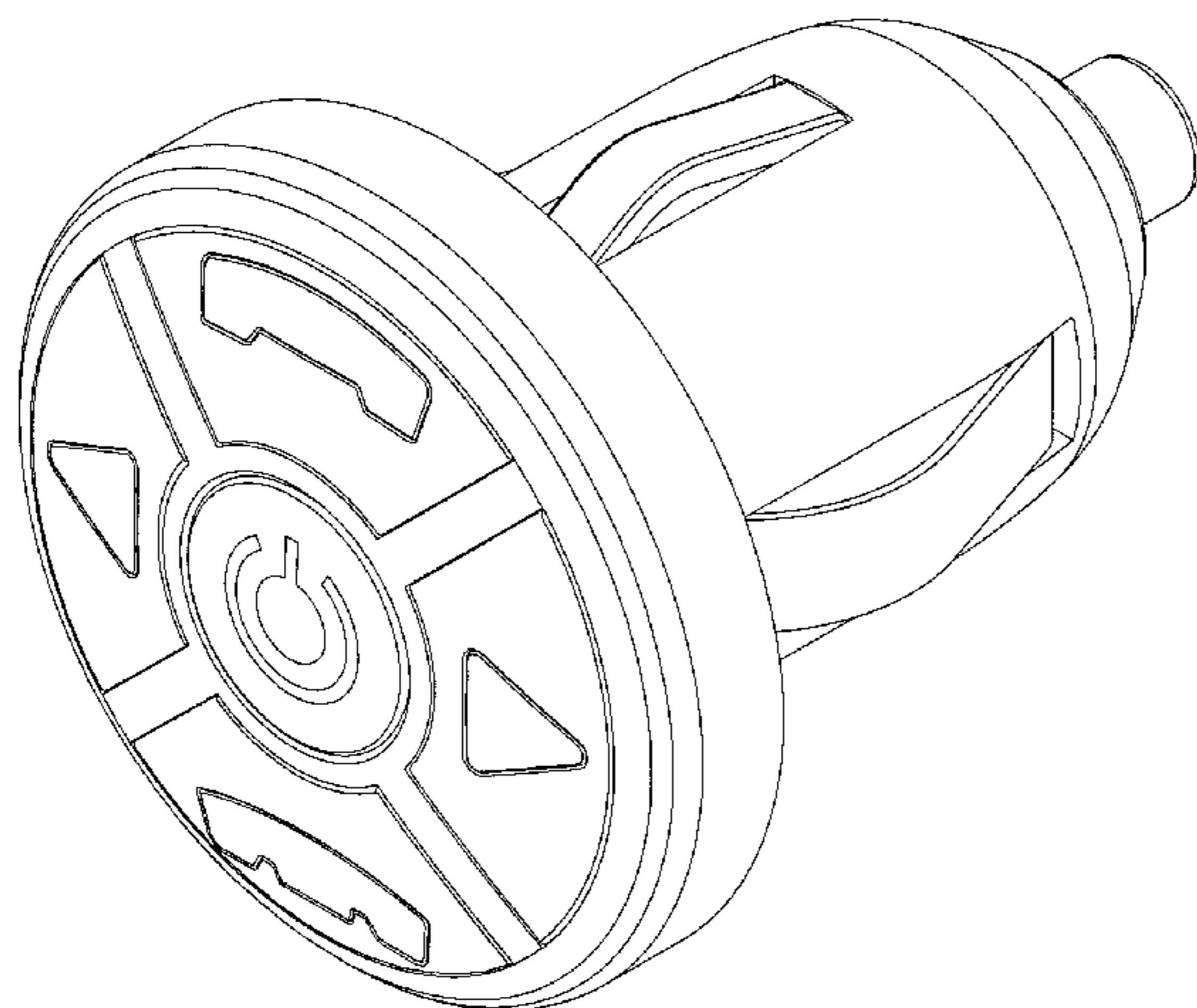
FIG. 4 is a left view thereof;

FIG. 5 is a right view thereof;

FIG. 6 is a top view thereof; and,

FIG. 7 is a bottom view thereof.

1 Claim, 7 Drawing Sheets



US D641,342 S

Page 2

U.S. PATENT DOCUMENTS

2008/0015717	A1*	1/2008	Griffin et al.	700/94	2009/0186583	A1*	7/2009	Seil et al.	455/66.1
2009/0156122	A1*	6/2009	Dayan	455/41.2	2010/0075609	A1*	3/2010	Seil et al.	455/66.1
2009/0186581	A1*	7/2009	Griffin et al.	455/41.3	2010/0273421	A1*	10/2010	Tu et al.	455/41.2

* cited by examiner



FIG. 1

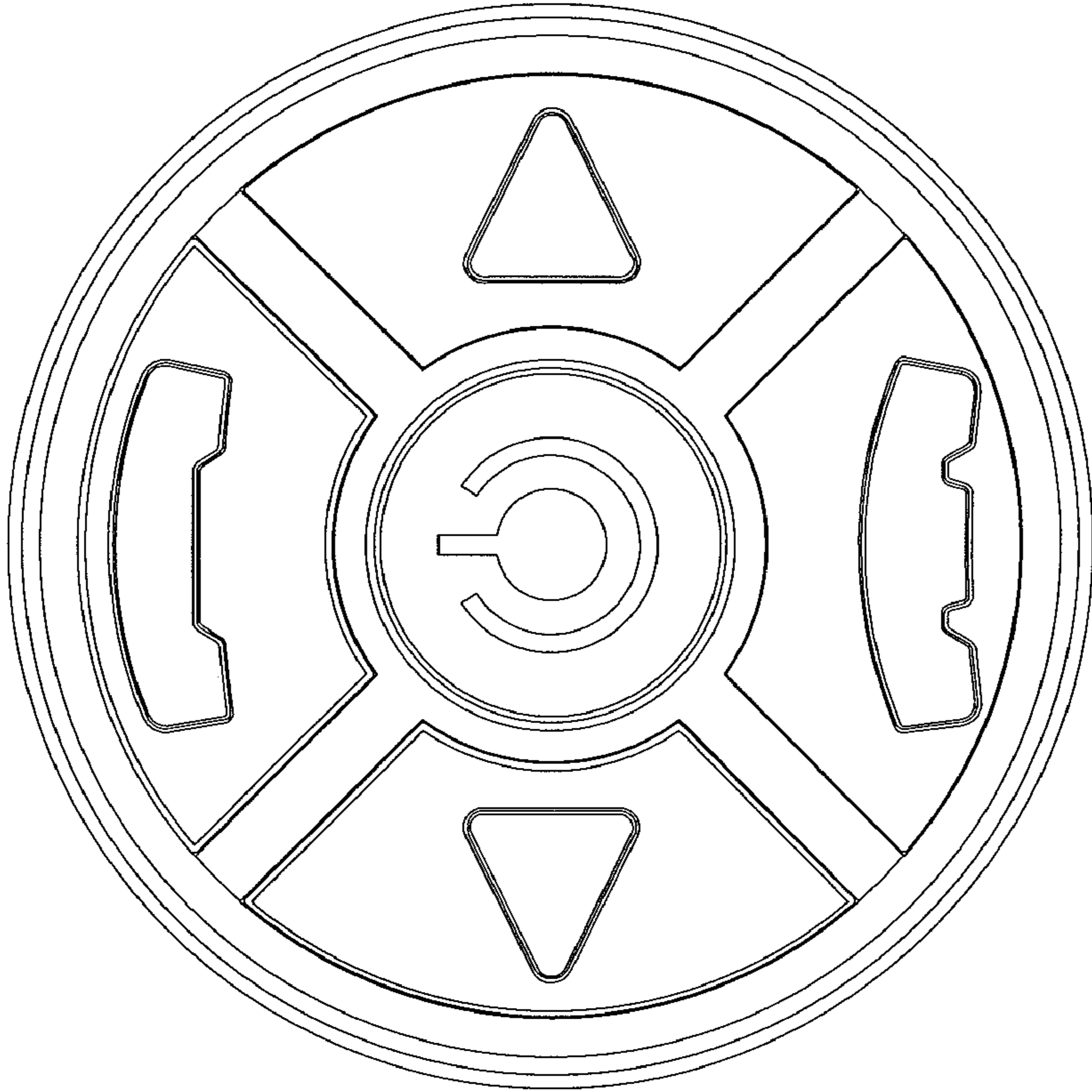


FIG. 2

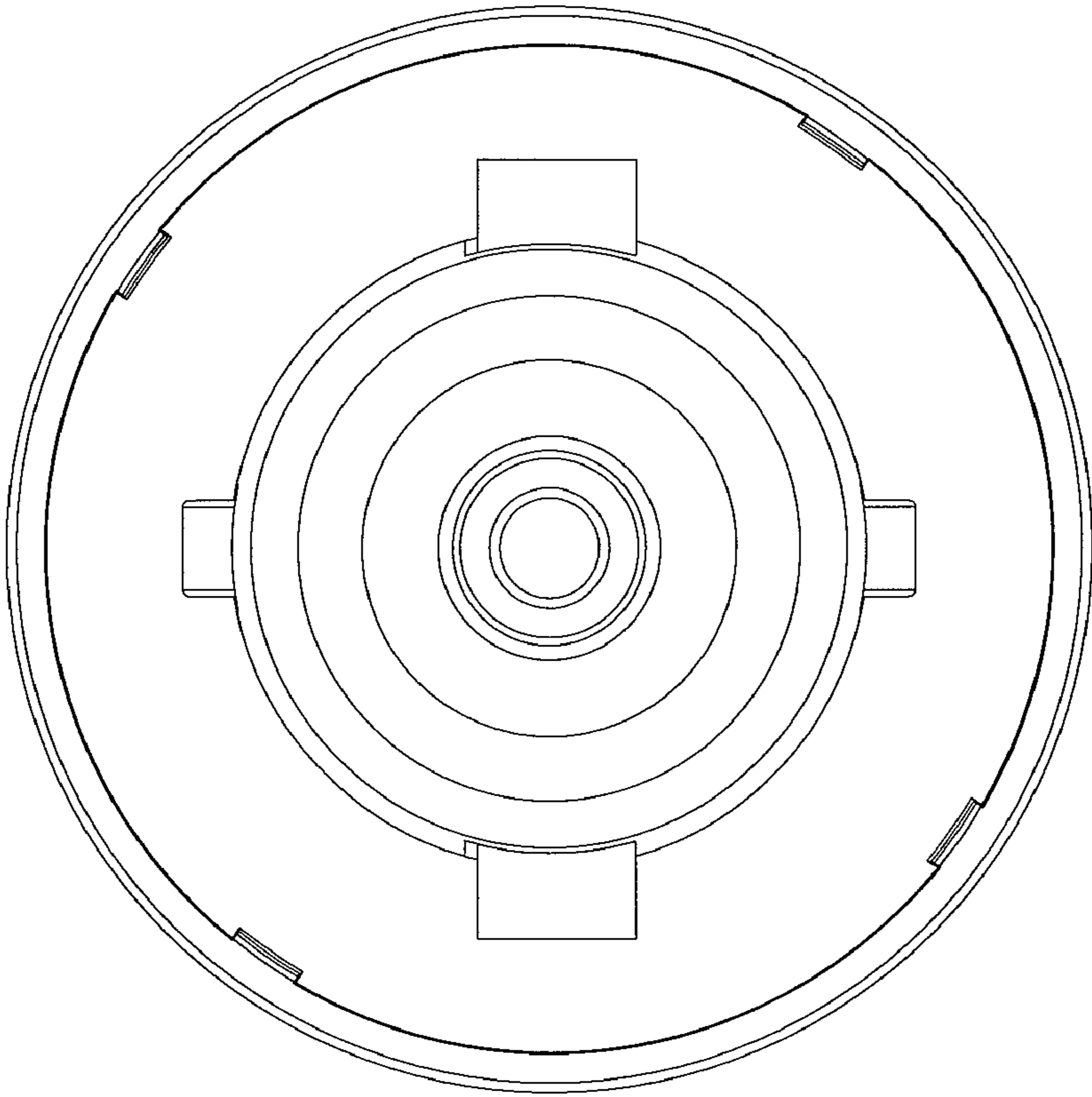


FIG. 3

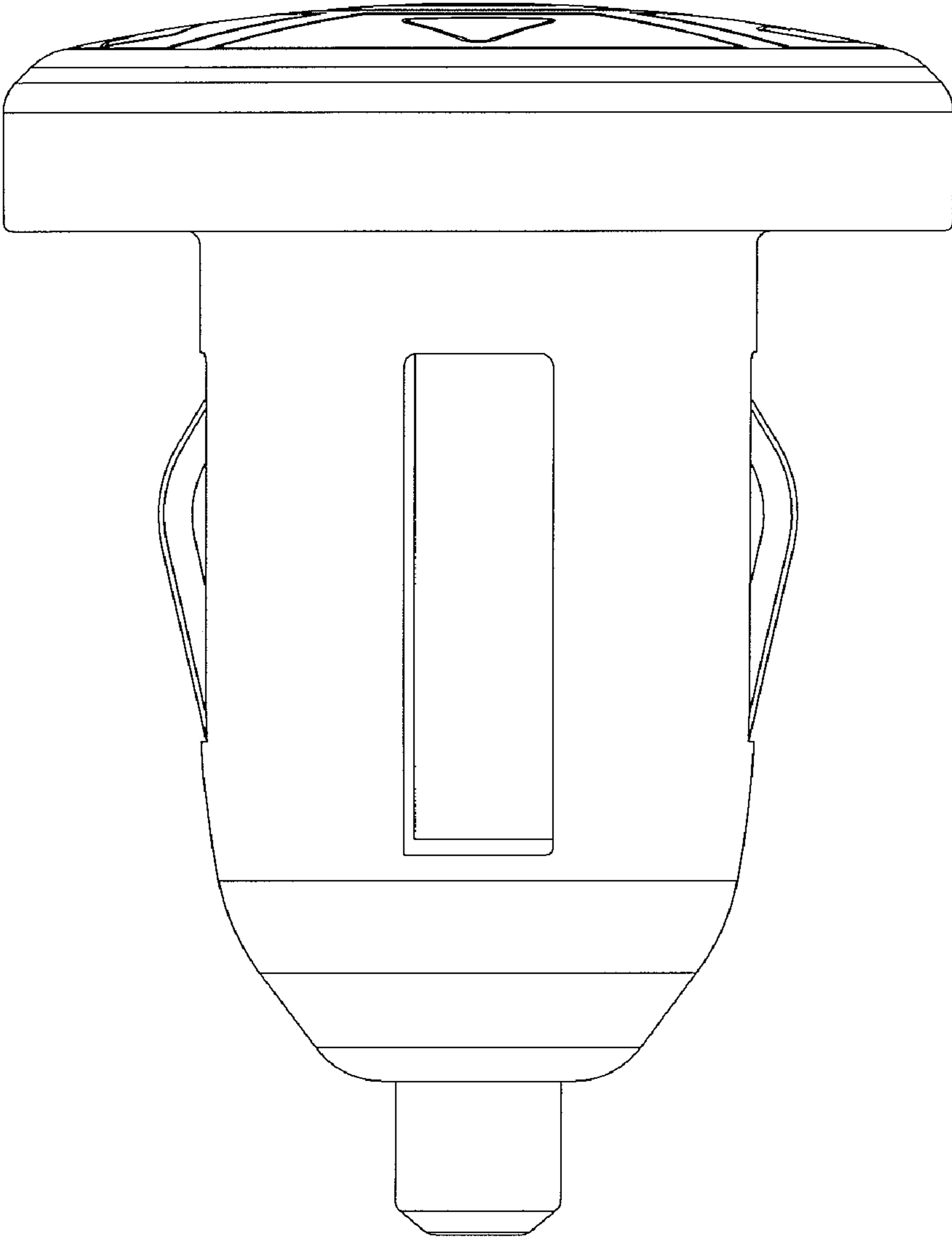


FIG. 4

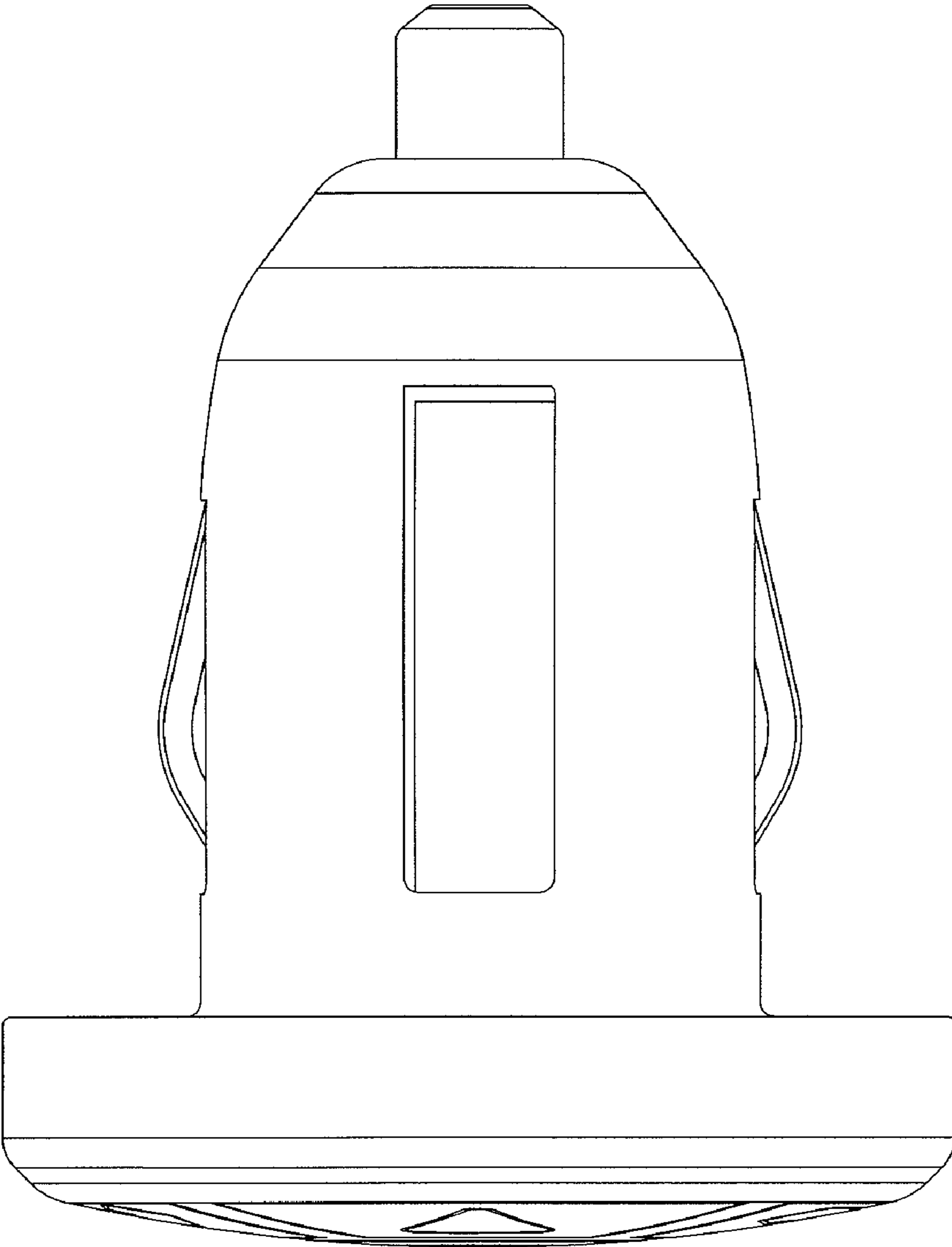


FIG. 5

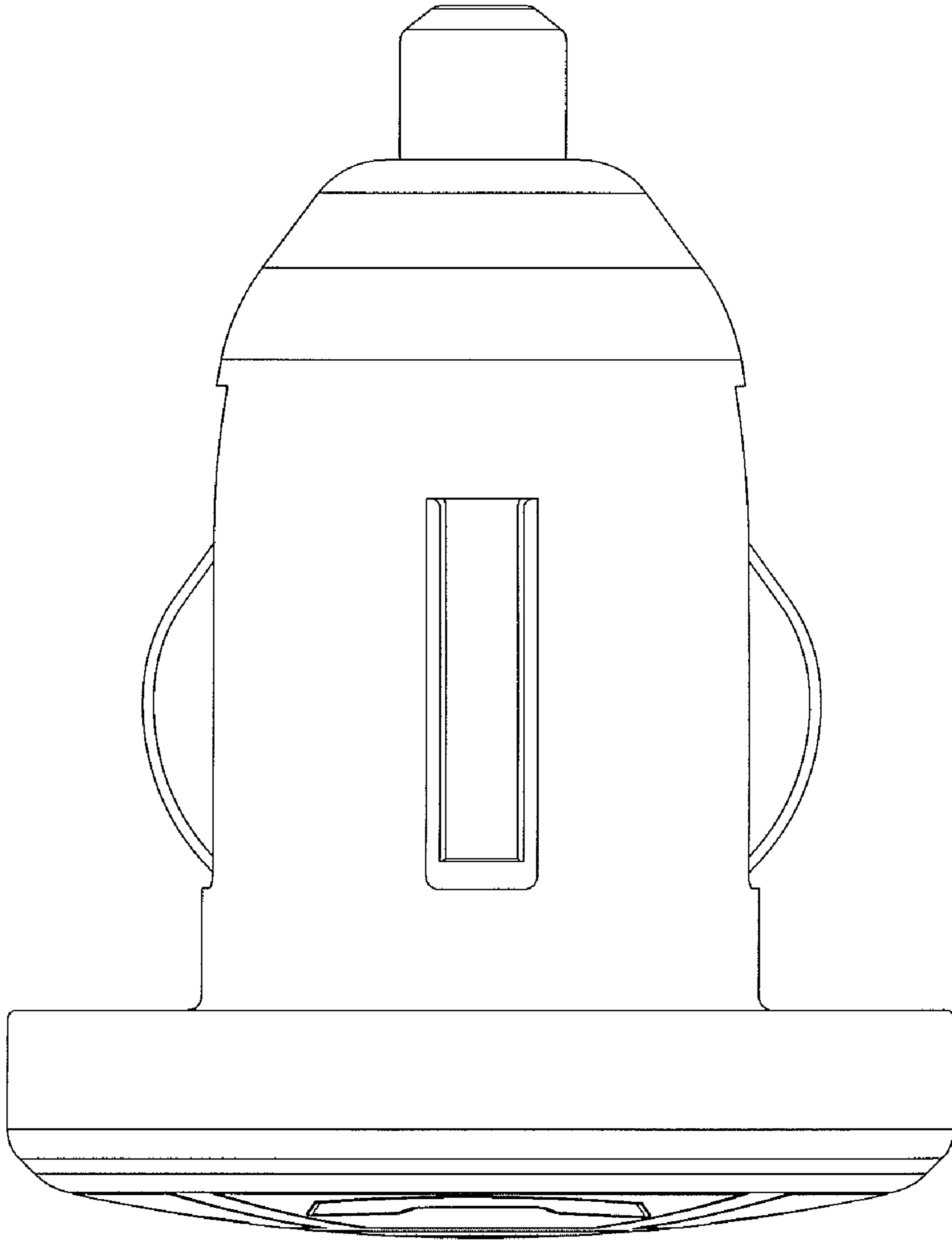


FIG. 6

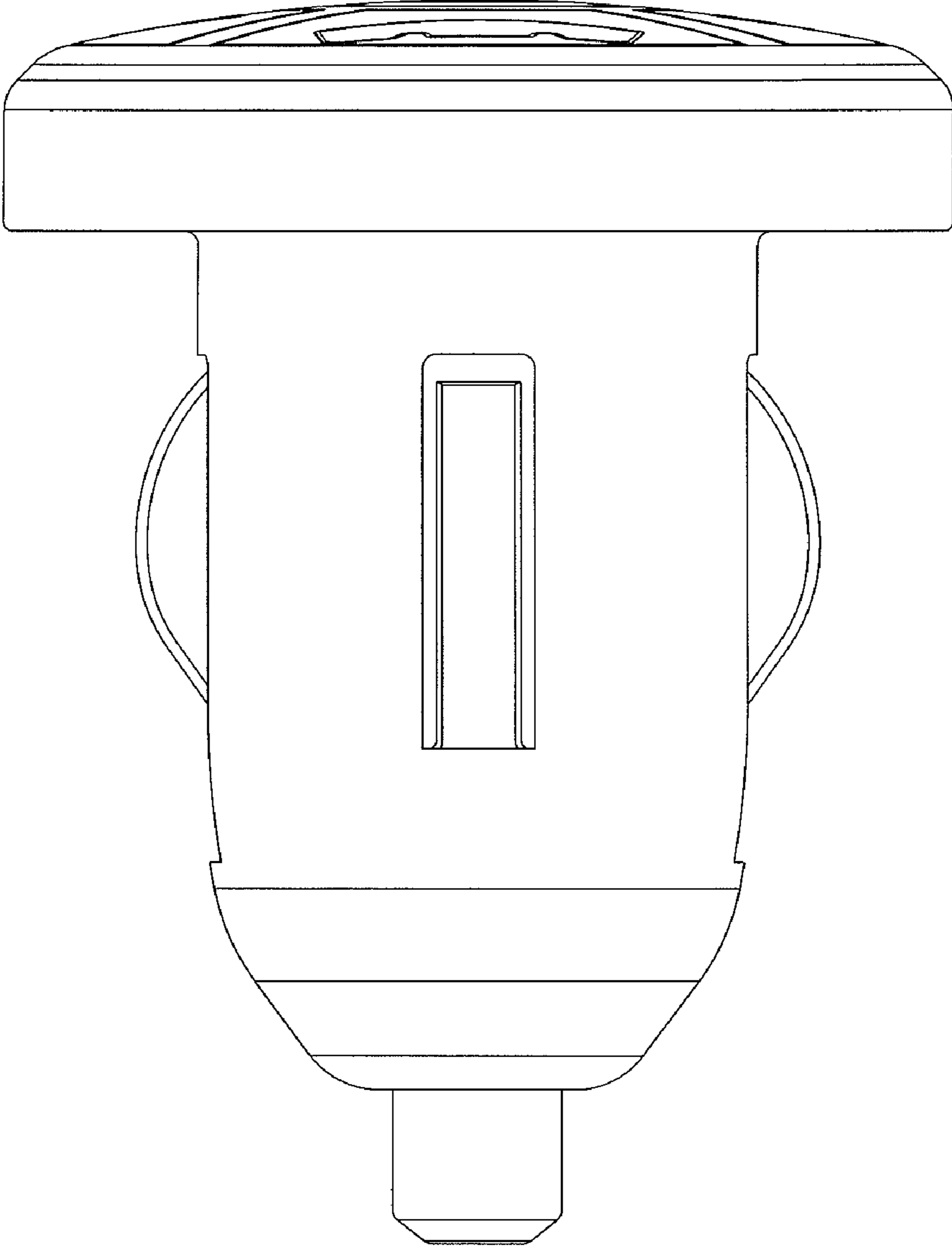


FIG. 7