



US00D641338S

(12) **United States Design Patent**
Chen

(10) **Patent No.:** **US D641,338 S**

(45) **Date of Patent:** **** *Jul. 12, 2011**

(54) **MEDIA DEVICE DOCKING STATION WITH A SQUARE SPEAKER**

(76) Inventor: **Chyi Chen**, Irvine, CA (US)

(*) Notice: This patent is subject to a terminal disclaimer.

(**) Term: **14 Years**

(21) Appl. No.: **29/348,445**

(22) Filed: **Jan. 6, 2010**

(51) **LOC (9) Cl.** **14-01**

(52) **U.S. Cl.** **D14/209.1; D14/214**

(58) **Field of Classification Search** D14/204,
D14/209.1, 210-214, 168, 197-198, 171-172;
181/143-144, 147-148, 150-153, 157, 192,
181/198-199; 381/300-303, 306, 332-333,
381/336, 345, 361-364, 386-388

See application file for complete search history.

(56) **References Cited**

U.S. PATENT DOCUMENTS

D478,891 S *	8/2003	Hisatsune	D14/211
D547,748 S *	7/2007	Tsuge	D14/211
D590,812 S *	4/2009	Muraoka et al.	D14/215
D597,529 S *	8/2009	Tan et al.	D14/214

* cited by examiner

Primary Examiner — Nanda Bondade

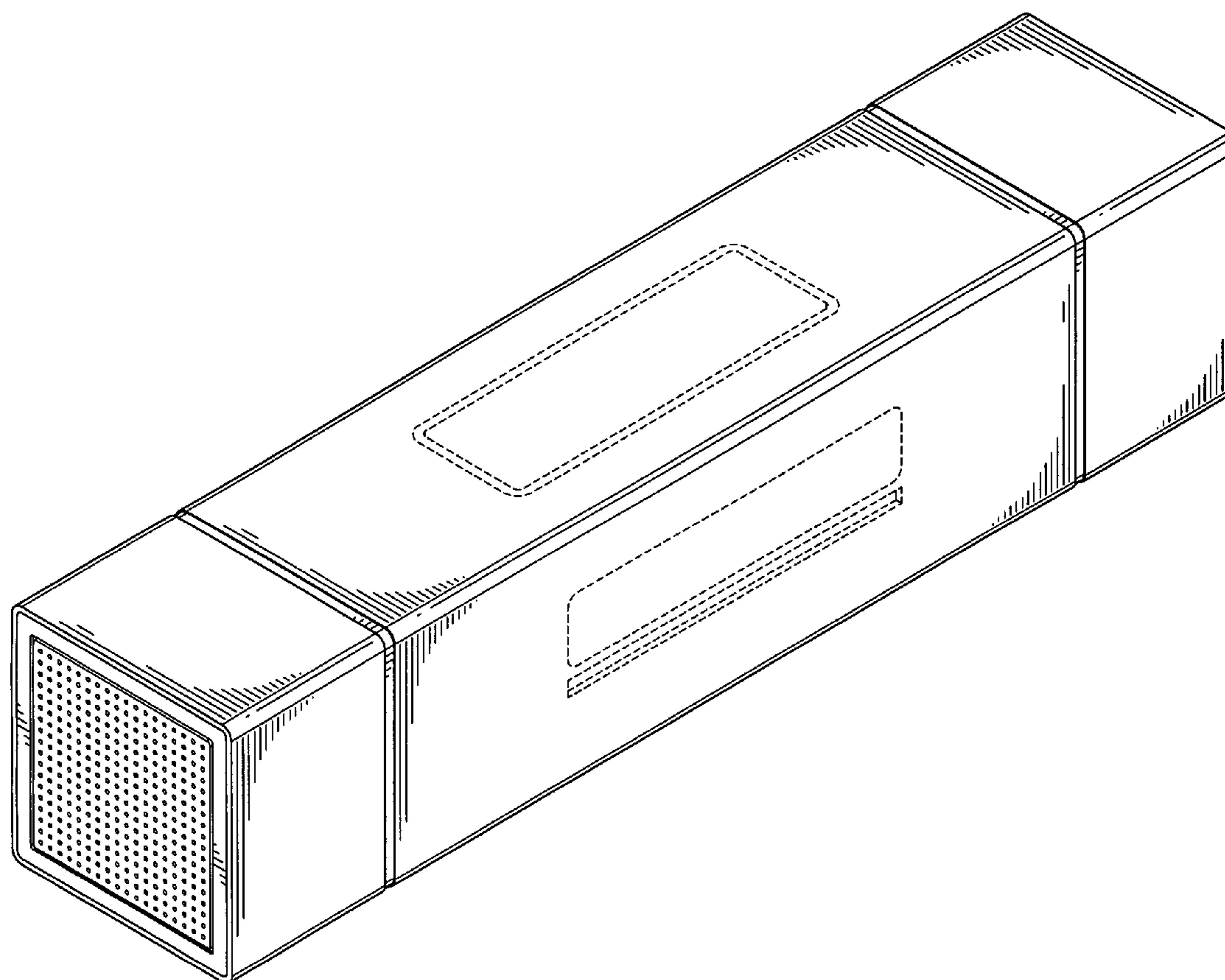
(57) **CLAIM**

The ornamental design for a media device docking station with a square speaker, as shown and described.

DESCRIPTION

FIG. 1 is a front perspective view of a media device docking station with a speaker in accordance with the present design; FIG. 2 is a rear perspective view thereof; FIG. 3 is a front view thereof; FIG. 4 is a rear view thereof; FIG. 5 is a top view thereof; FIG. 6 is a bottom view thereof; FIG. 7 is a left side view thereof; and, FIG. 8 is a right side view thereof. The broken line showing on the drawing disclosure is for illustrative purposes only and forms no part of the claimed design.

1 Claim, 5 Drawing Sheets



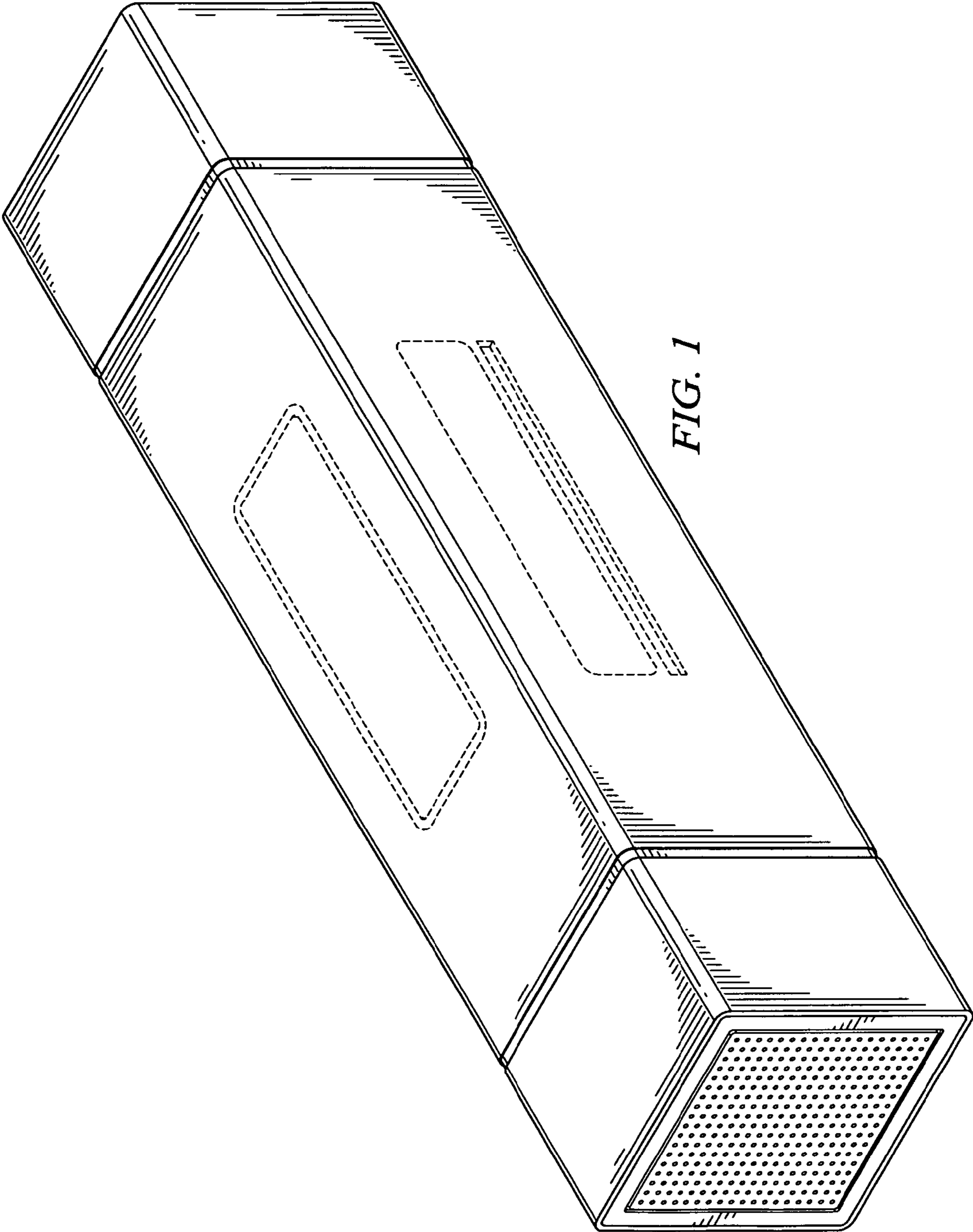
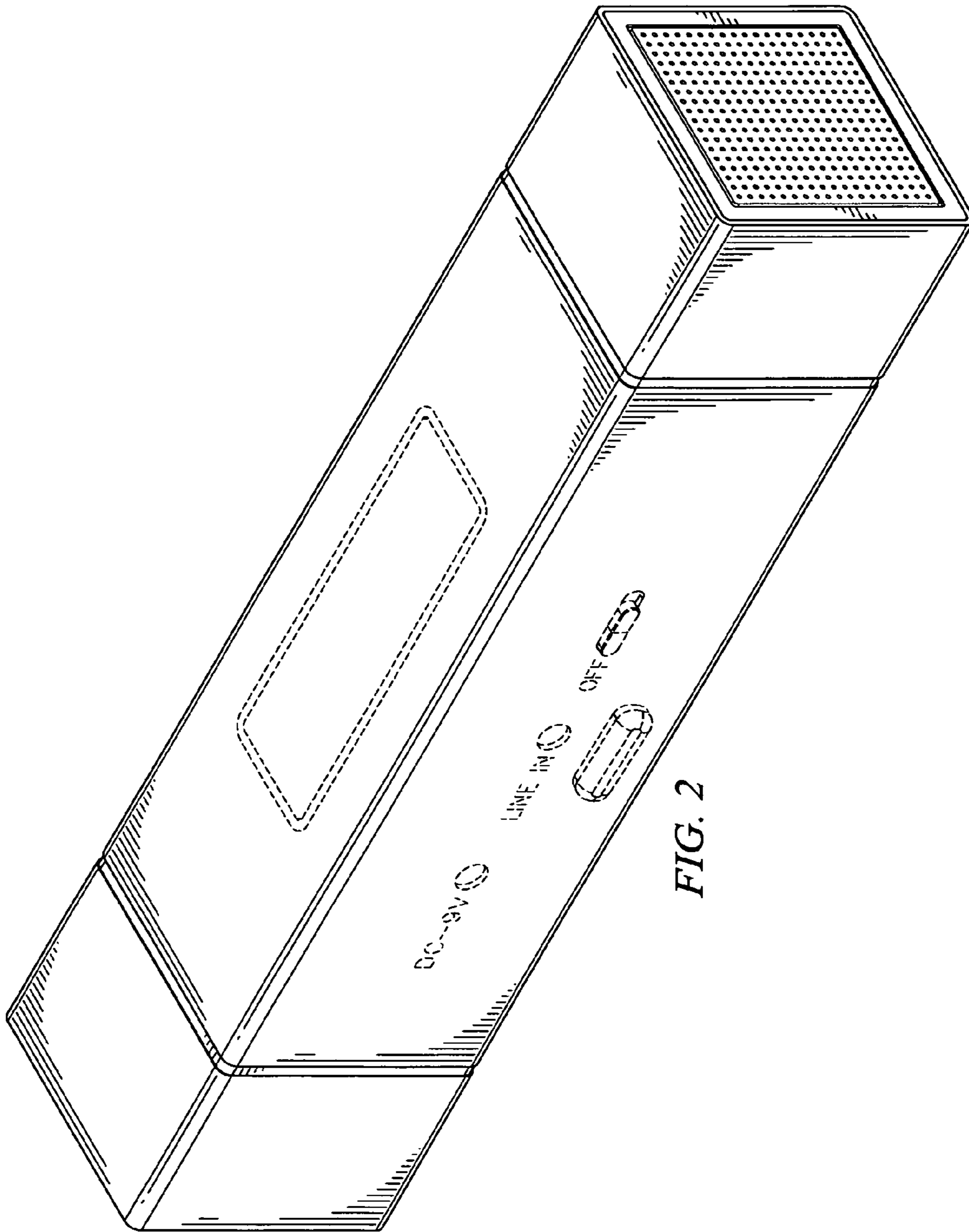


FIG. 1



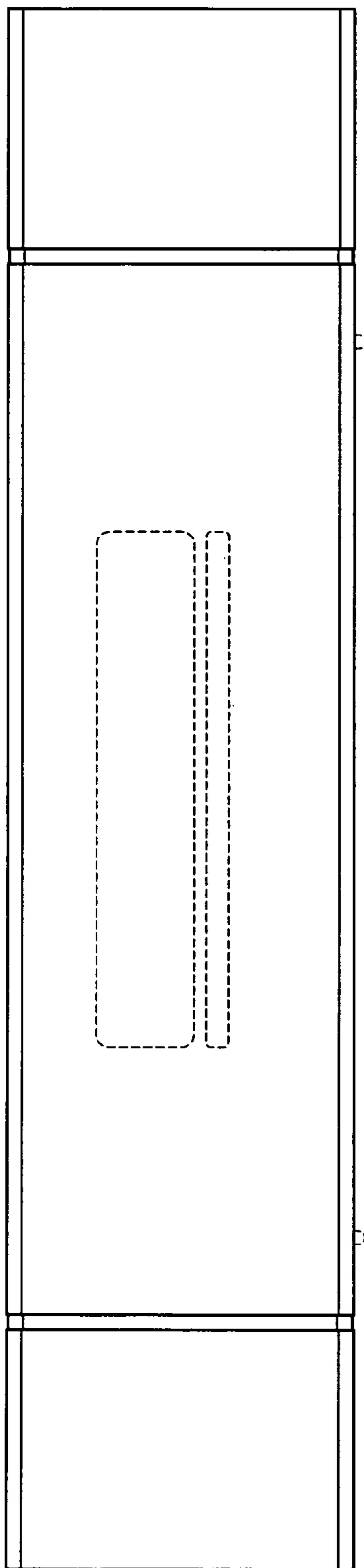


FIG. 3

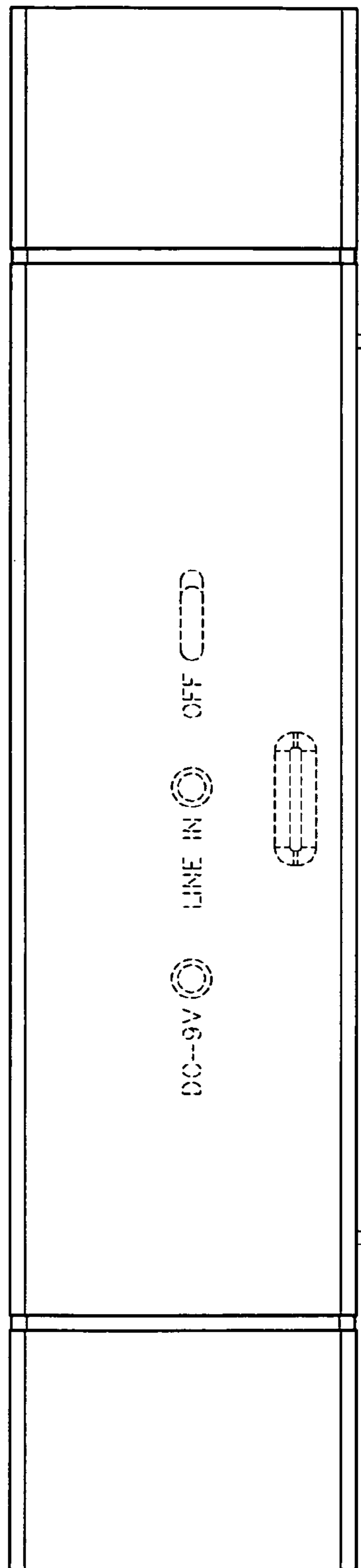


FIG. 4

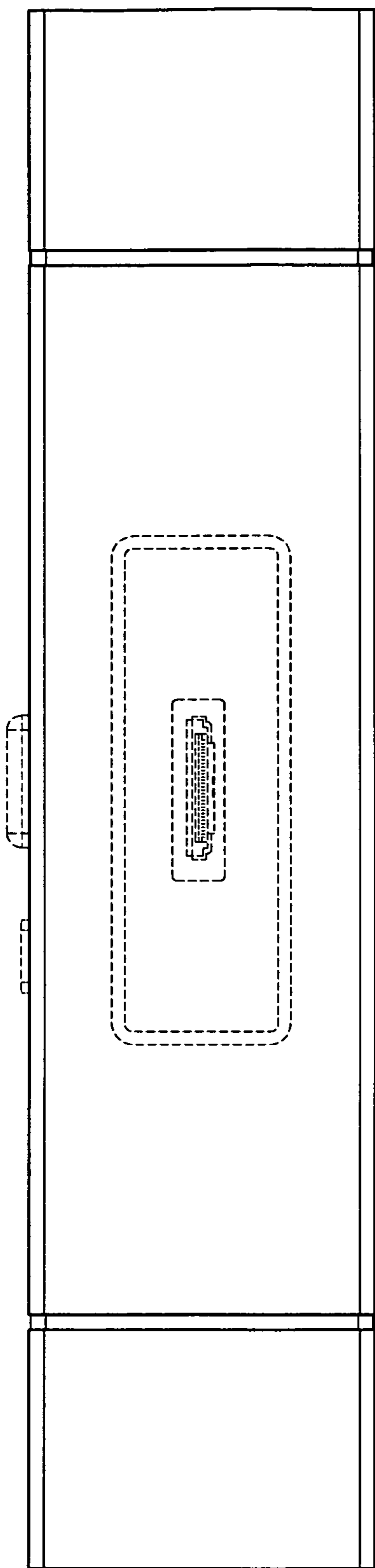


FIG. 5

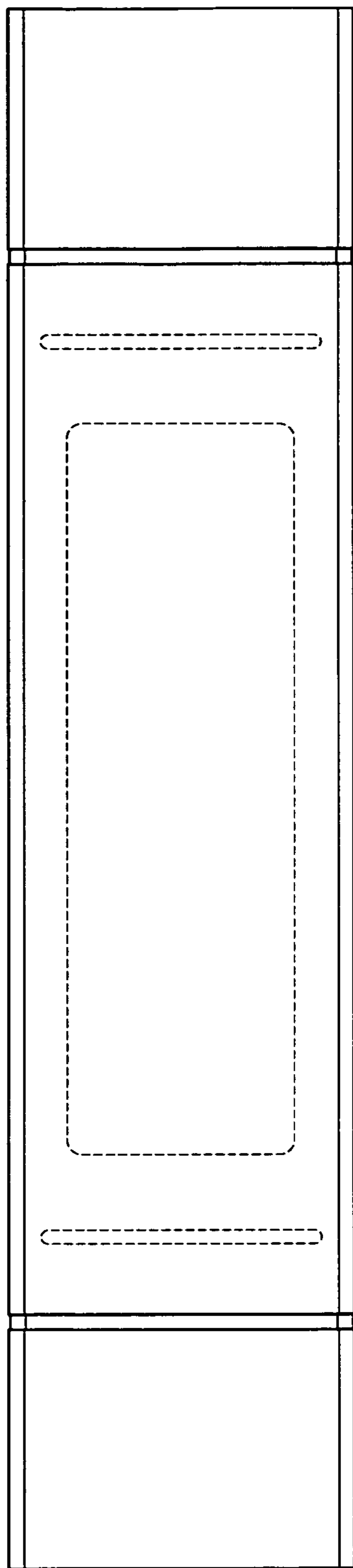


FIG. 6

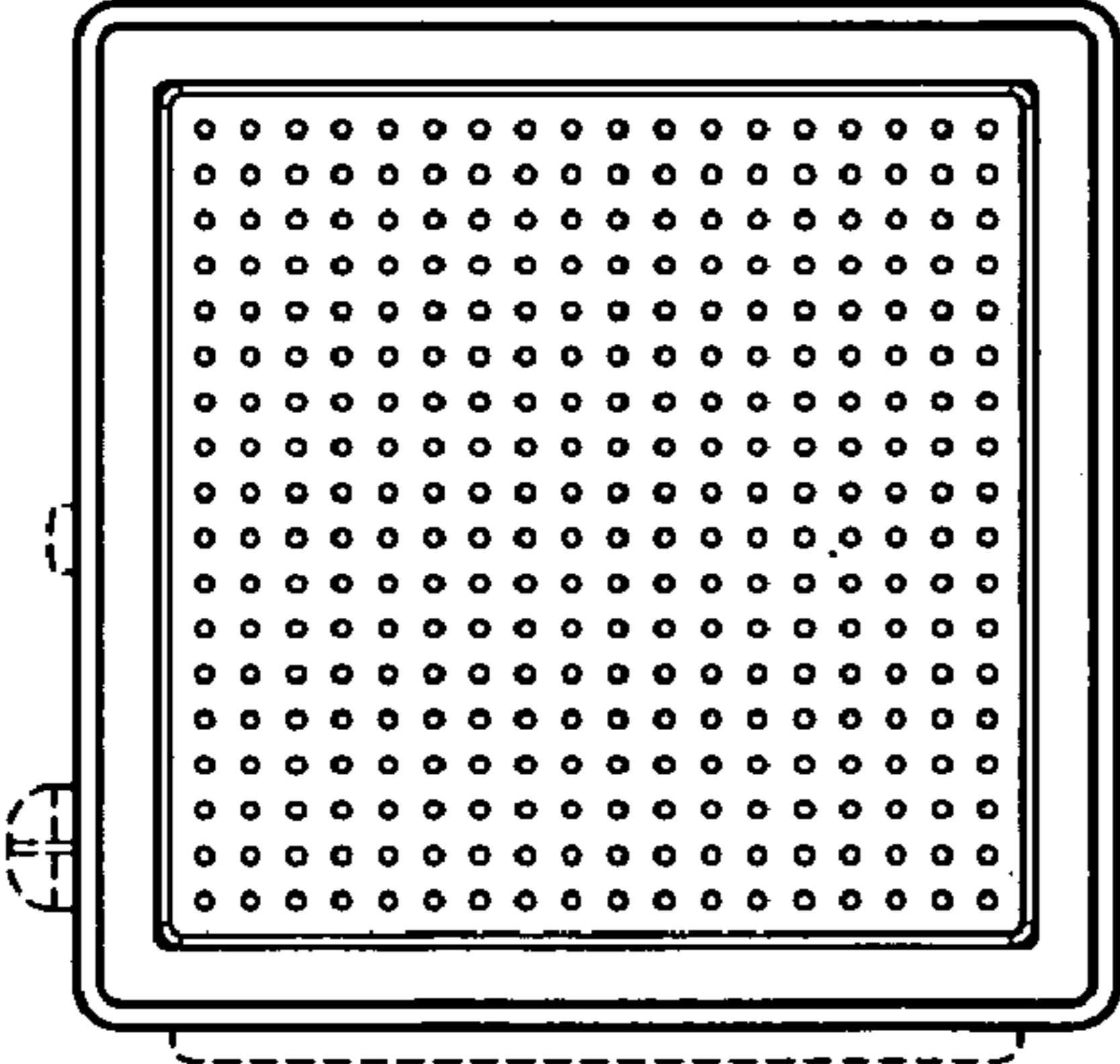


FIG. 7

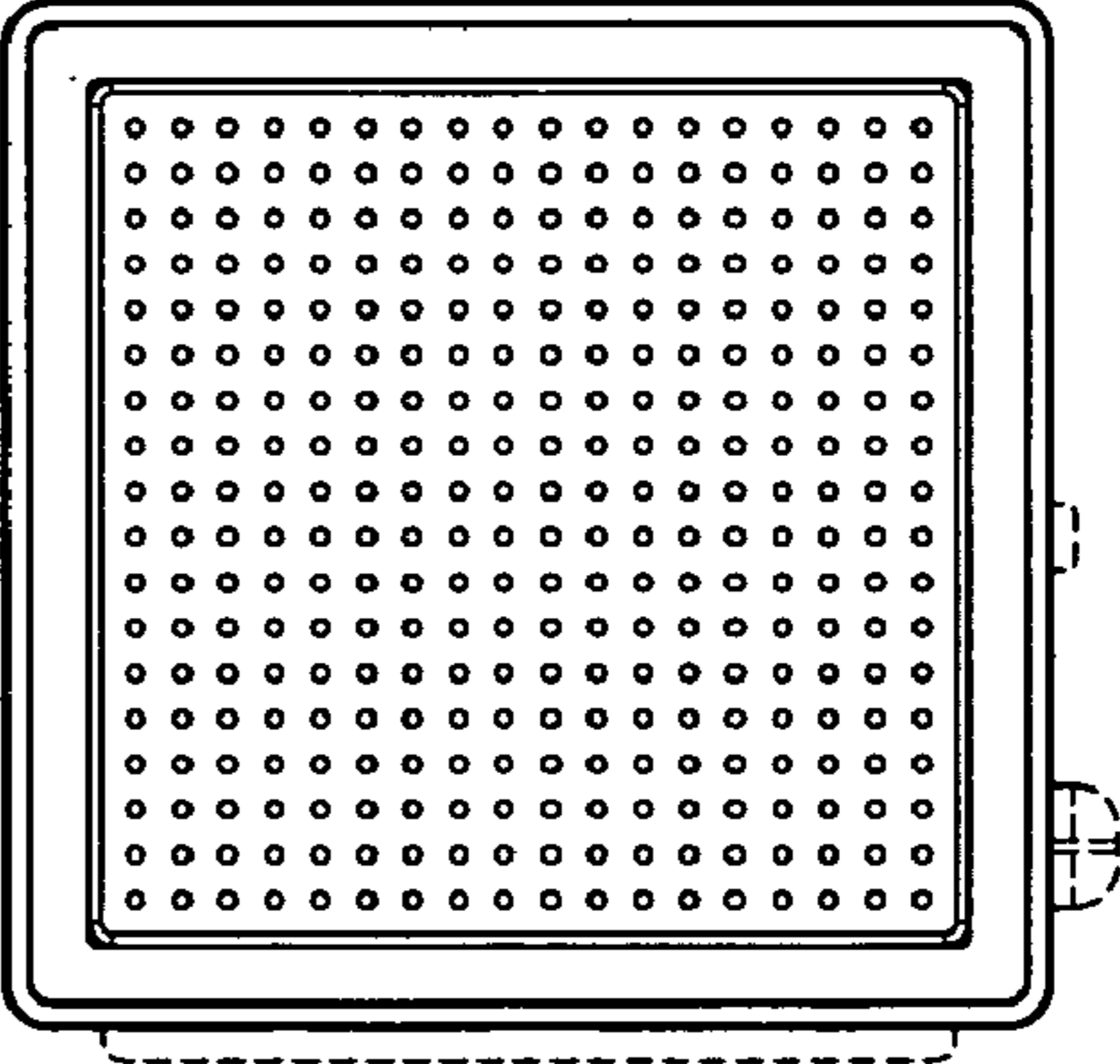


FIG. 8