



US00D641337S

(12) **United States Design Patent**  
**Brandis**

(10) **Patent No.:** **US D641,337 S**  
(45) **Date of Patent:** **\*\* Jul. 12, 2011**

(54) **HEADSET WITH HEADBAND**

(75) Inventor: **Michael Brandis**, Nurnberg (DE)

(73) Assignee: **Sennheiser Communications A/S**,  
Solrod Strand (DK)

(\*\*) Term: **14 Years**

(21) Appl. No.: **29/359,255**

(22) Filed: **Apr. 7, 2010**

(30) **Foreign Application Priority Data**

Oct. 8, 2009 (EM) ..... 001620931-0001

(51) **LOC (9) Cl.** ..... **14-01**

(52) **U.S. Cl.** ..... **D14/206**

(58) **Field of Classification Search** ..... D14/205,  
D14/206, 223, 192, 142, 138 AA; 181/129,  
181/130, 135; 379/430, 430.01, 433.11;  
381/380, 381; 455/90.3, 575.2, 569.1, 569.2;  
D29/112; 2/209

See application file for complete search history.

(56) **References Cited**

**U.S. PATENT DOCUMENTS**

5,793,878 A \* 8/1998 Chang ..... 381/370  
D448,751 S \* 10/2001 Pham et al. .... D14/206  
D451,903 S \* 12/2001 Amae et al. .... D14/206  
D488,146 S \* 4/2004 Minto ..... D14/206

D494,951 S \* 8/2004 Lee et al. .... D14/138 AA  
D498,470 S \* 11/2004 Skulley et al. .... D14/206  
D514,086 S \* 1/2006 Skulley ..... D14/206  
D517,528 S \* 3/2006 Skulley ..... D14/206  
D530,702 S \* 10/2006 Pritchard et al. .... D14/206  
D531,165 S \* 10/2006 Rath ..... D14/206  
D538,785 S \* 3/2007 Skulley ..... D14/206  
D540,778 S \* 4/2007 Thompson et al. .... D14/206  
D601,543 S \* 10/2009 Bentley ..... D14/206

\* cited by examiner

*Primary Examiner* — Paula Greene

(74) *Attorney, Agent, or Firm* — Birch, Stewart, Kolasch & Birch, LLP

(57) **CLAIM**

The ornamental design for a headset with headband, as shown and described.

**DESCRIPTION**

FIG. 1 is a perspective view of the headset with headband showing my new design;

FIG. 2 is a first side view thereof;

FIG. 3 is a second side (opposite to the first side) view thereof;

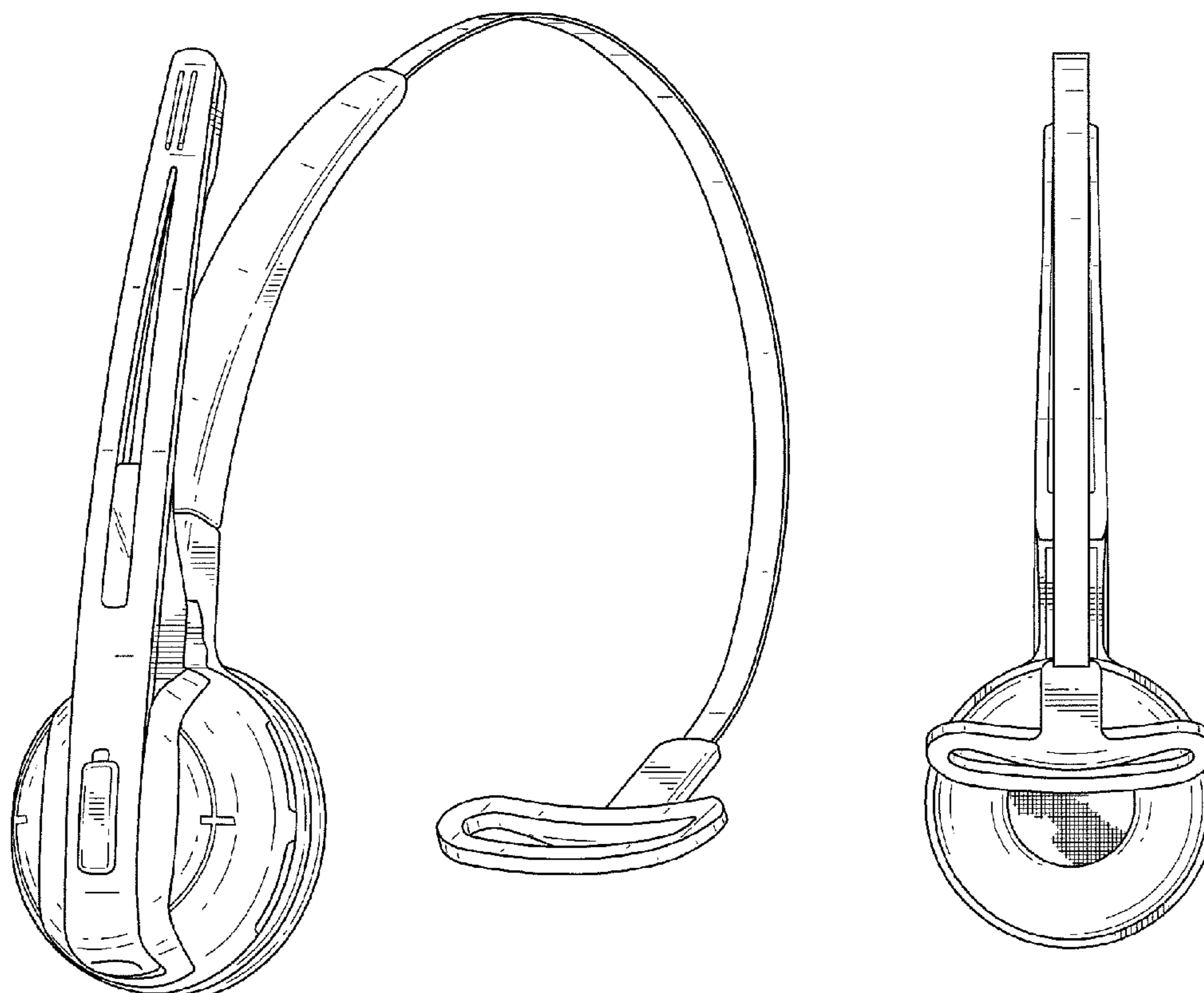
FIG. 4 is a third side (perpendicular to the first side) view thereof;

FIG. 5 is a fourth side (opposite to the third side) view thereof;

FIG. 6 is a top plan view thereof; and,

FIG. 7 is a bottom plan view thereof.

**1 Claim, 5 Drawing Sheets**



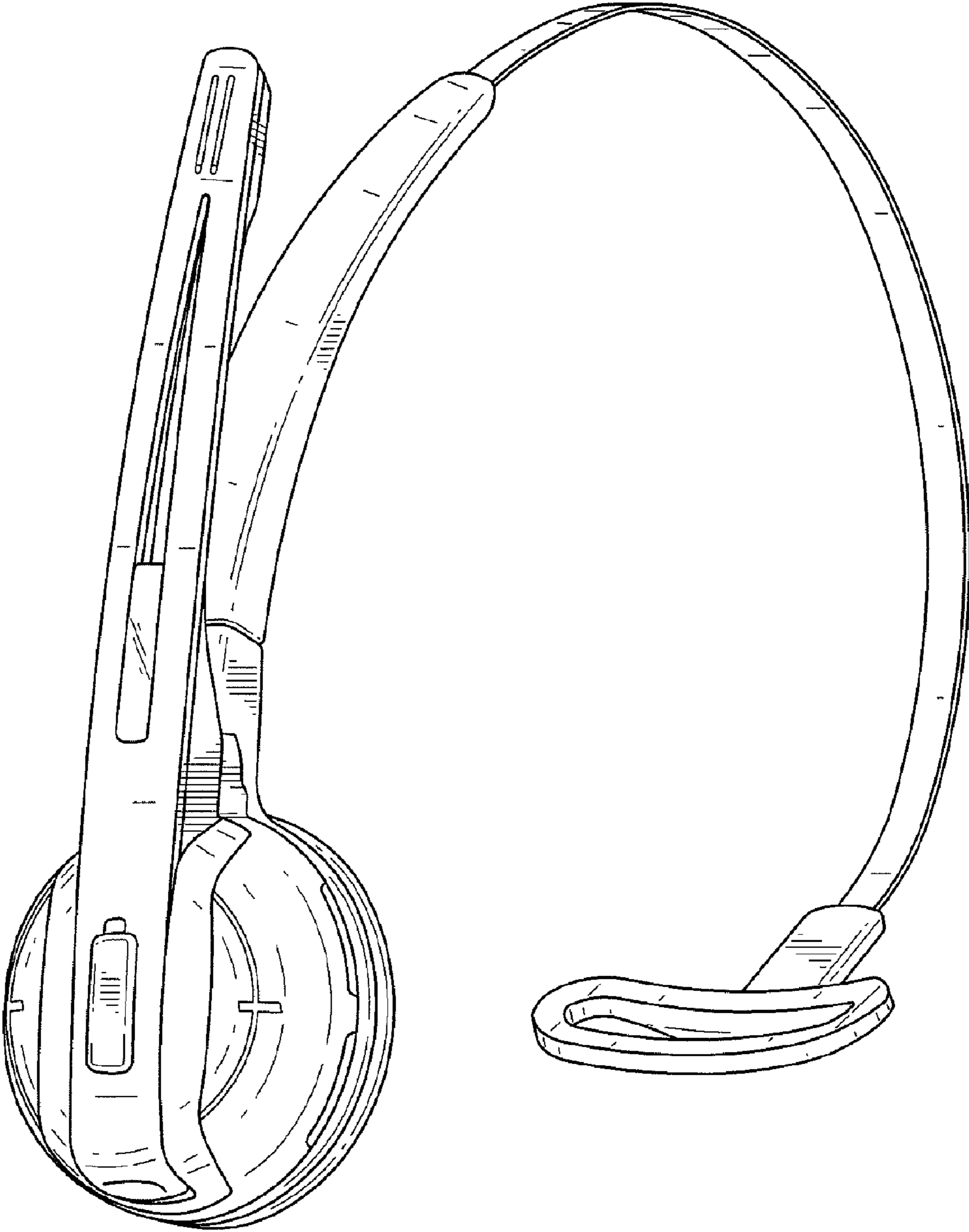


FIG. 1

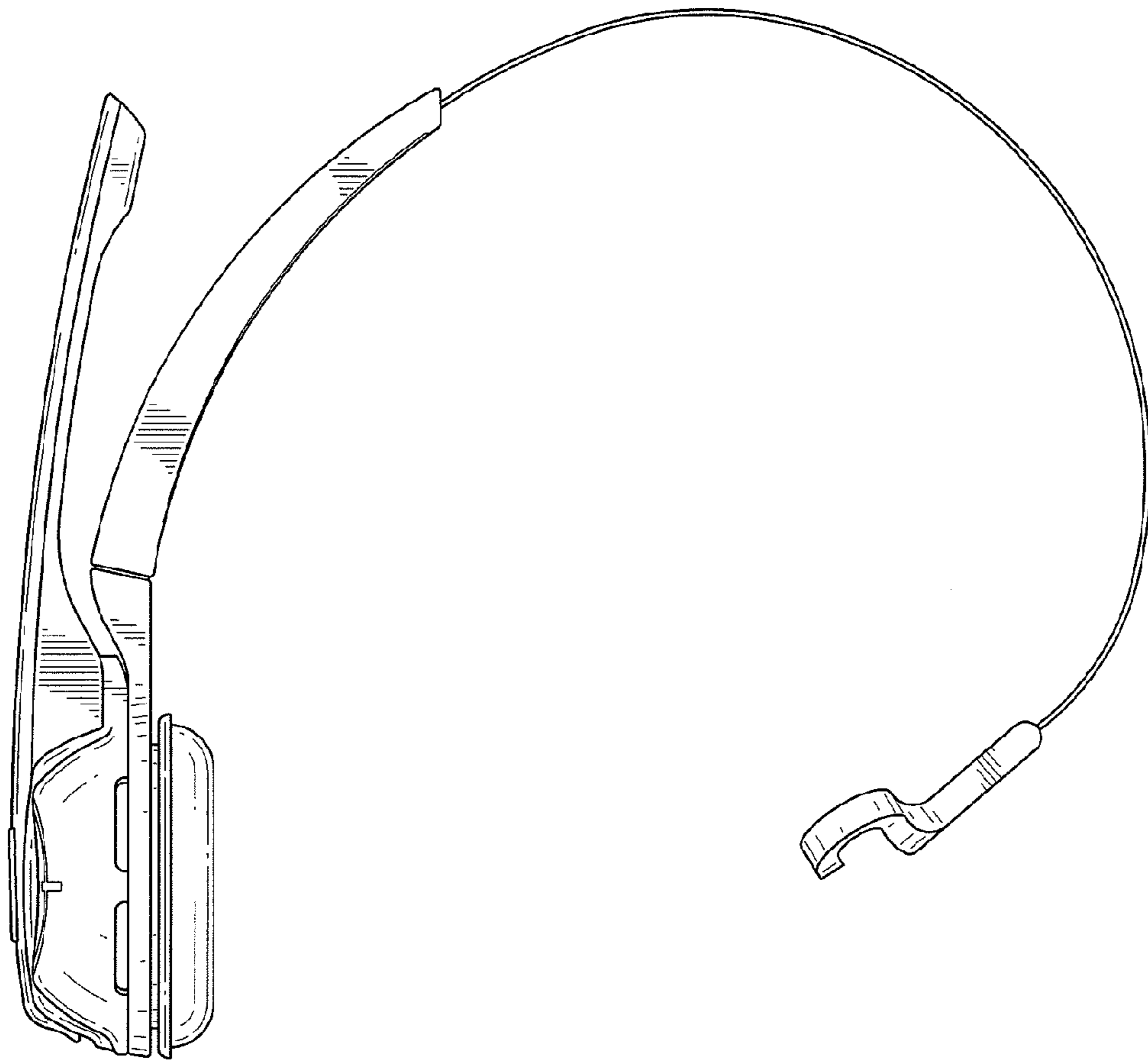


FIG.2

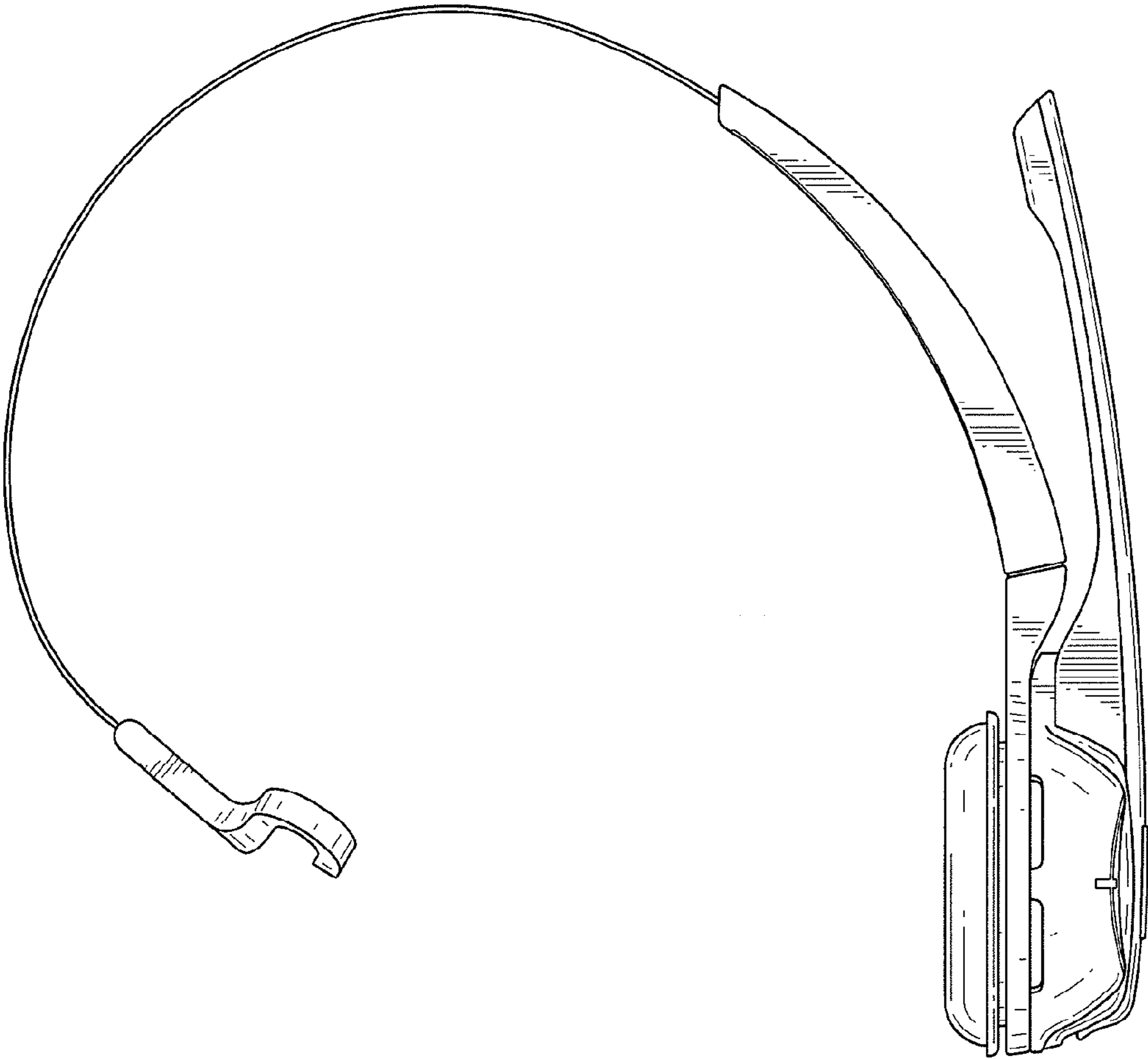


FIG.3

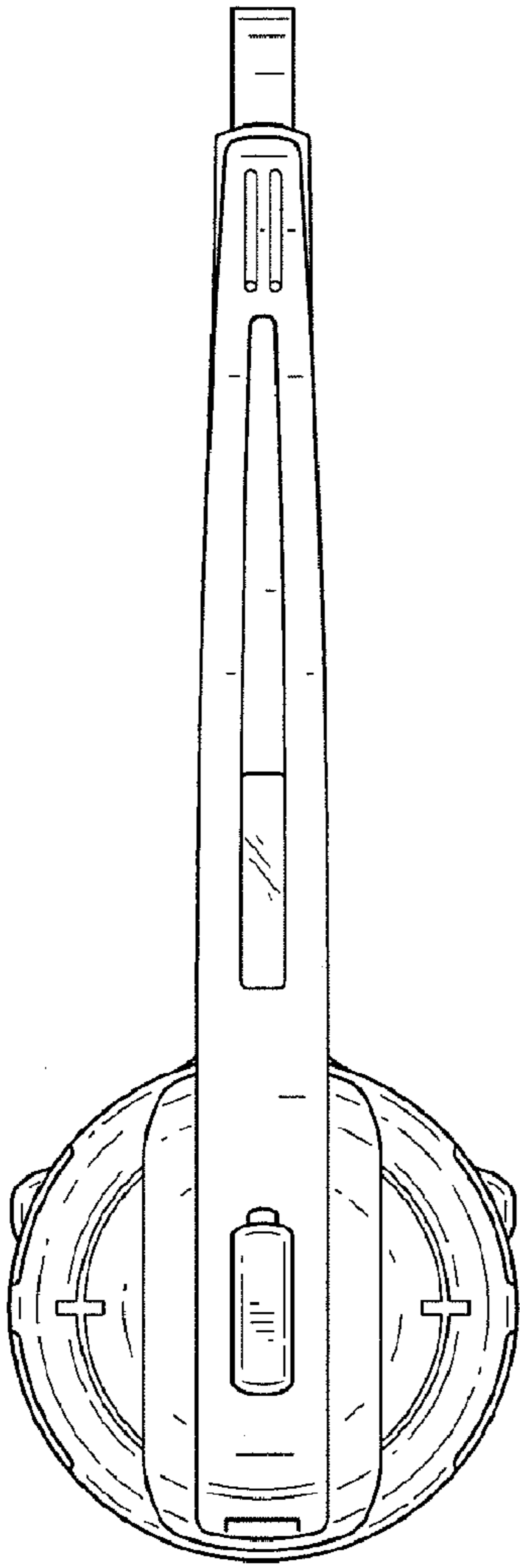


FIG. 4

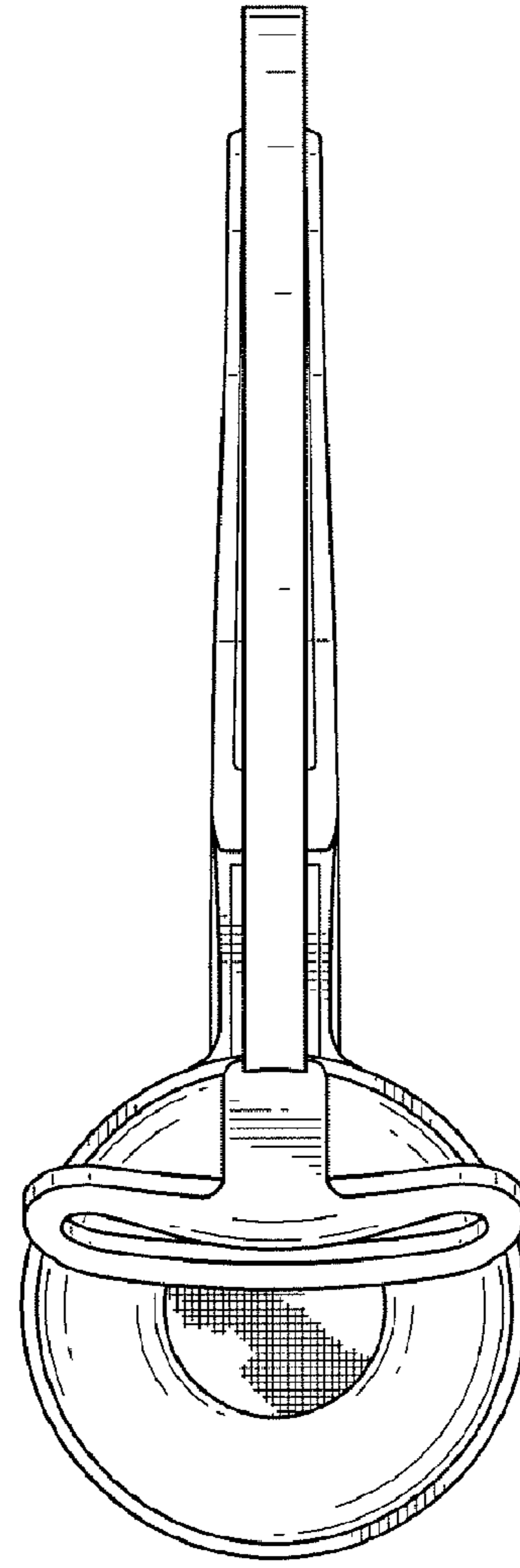


FIG. 5

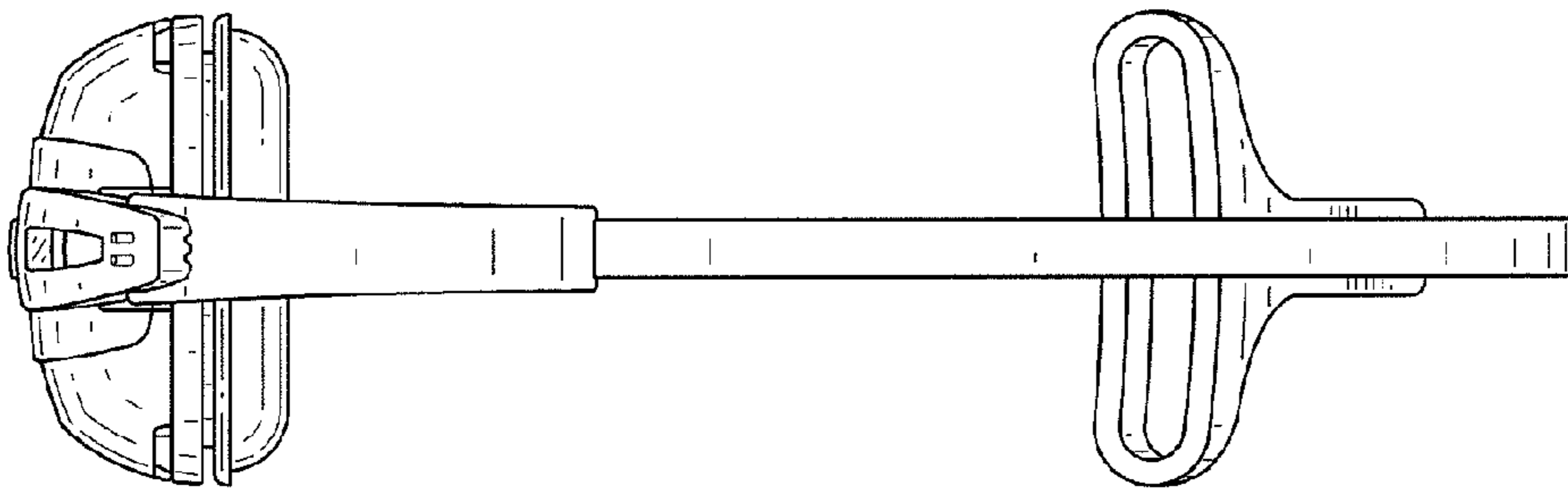


FIG. 6

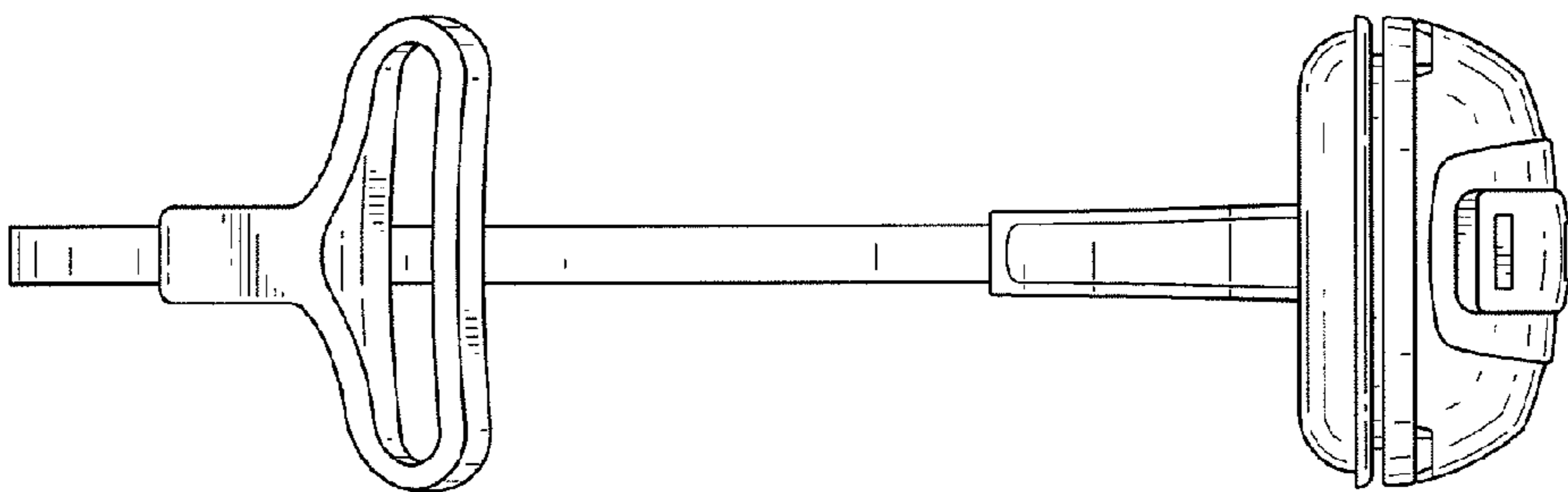


FIG. 7