

US00D641336S

(12) **United States Design Patent**
Chung

(10) **Patent No.:** **US D641,336 S**

(45) **Date of Patent:** **** Jul. 12, 2011**

(54) **MOBILE PHONE**

(75) Inventor: **Jin-Man Chung**, Goyang-si (KR)

(73) Assignee: **Samsung Electronics Co., Ltd.**,
Suwon-Si (KR)

(**) Term: **14 Years**

(21) Appl. No.: **29/381,323**

(22) Filed: **Dec. 17, 2010**

(30) **Foreign Application Priority Data**

Oct. 15, 2010 (KR) 30-2010-0044805

(51) **LOC (9) Cl.** **14-03**

(52) **U.S. Cl.** **D14/138 AA**

(58) **Field of Classification Search** D14/138 AA,
D14/496, 341, 345, 346, 203.3, 203.4, 203.7,
D14/138 AD, 138 R, 147, 218, 137; 455/575.1,
455/556.2, 575.3, 575.4; D21/517; 379/433.01,
379/433.04, 433.11, 433.12, 433.13; D13/168
See application file for complete search history.

(56) **References Cited**

U.S. PATENT DOCUMENTS

D502,159 S *	2/2005	Chan et al.	D14/138 AA
D566,086 S *	4/2008	Hong et al.	D14/138 AA
D576,990 S *	9/2008	Han et al.	D14/138 AA
D582,914 S *	12/2008	Croley et al.	D14/341
D598,887 S *	8/2009	Xiao et al.	D14/138 AA
D601,534 S *	10/2009	Youn et al.	D14/138 AA
D606,540 S *	12/2009	Liao et al.	D14/346
D606,994 S *	12/2009	Griffin et al.	D14/346
D609,207 S *	2/2010	Leung et al.	D14/138 AA
D613,707 S *	4/2010	Park et al.	D14/138 AA
D615,058 S *	5/2010	Lee et al.	D14/138 AA

D615,540 S *	5/2010	Lan et al.	D14/345
D618,656 S *	6/2010	Hunt	D14/138 AA
D620,911 S *	8/2010	Kim et al.	D14/138 AA
D628,187 S *	11/2010	Huang	D14/138 AA
D630,610 S *	1/2011	Li	D14/138 AA
2008/0132275 A1*	6/2008	Eastwood	455/556.1

OTHER PUBLICATIONS

Samsung i907 Epix telephone, announced Oct. 2008, [online], [site visited Mar. 25, 2011]. Available from Internet, <URL: <http://www.gsmarena.com>>.*

i-mobile 5230 telephone, announced 2010, [online], [site visited Mar. 25, 2011]. Available from Internet, <URL: <http://www.gsmarena.com>>.*

Motorola Droid Pro XT610 telephone, announced Oct. 2010, [online], [site visited Mar. 25, 2011]. Available from Internet, <URL: <http://www.gsmarena.com>>.*

Motorola ES400 telephone, announced Jun. 2010, [online], [site visited Mar. 25, 2011]. Available from Internet, <URL: <http://www.gsmarena.com>>.*

(Continued)

Primary Examiner — Jeff D Asch

(74) *Attorney, Agent, or Firm* — Staas & Halsey LLP

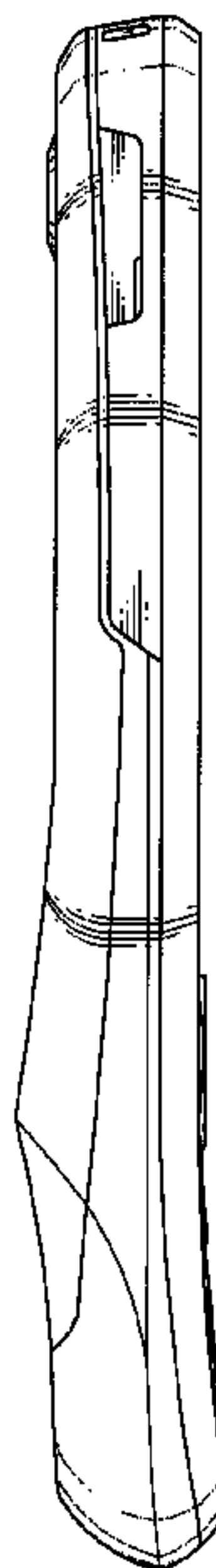
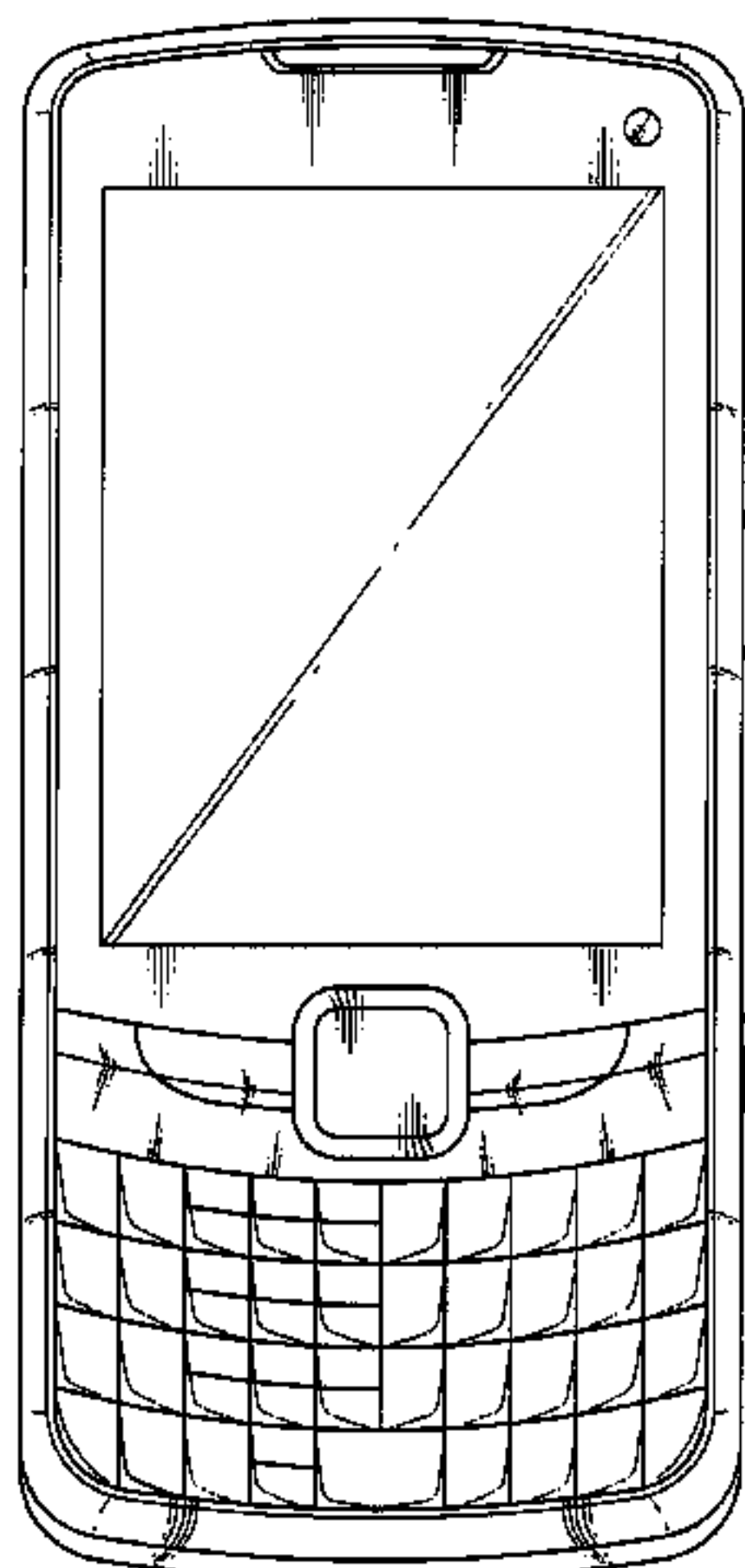
(57) **CLAIM**

The ornamental design for a mobile phone, as shown and described.

DESCRIPTION

FIG. 1 is a front perspective view of a mobile phone; FIG. 2 is a front view of the mobile phone of FIG. 1; FIG. 3 is a rear view of the mobile phone of FIG. 1; FIG. 4 is a left-side view of the mobile phone of FIG. 1; FIG. 5 is a right-side view of the mobile phone of FIG. 1; FIG. 6 is a top plan view of the mobile phone of FIG. 1; and, FIG. 7 is a bottom plan view of the mobile phone of FIG. 1.

1 Claim, 7 Drawing Sheets



OTHER PUBLICATIONS

HTC Hero telephone, announced Jun. 2009, [online], [site visited Mar. 25, 2011]. Available from Internet, <URL: <http://www.gsmarena.com>>.*

BlackBerry 8800 telephone, announced Feb. 2007, [online], [site visited Mar. 25, 2011]. Available from Internet, <URL: <http://www.gsmarena.com>>.*

Philips 699 Dual Sim telephone, announced Aug. 2007, [online], [site visited Mar. 25, 2011]. Available from Internet, <URL: <http://www.gsmarena.com>>.*

Samsung Ch@t 335 telephone, announced Nov. 2010, [online], [site visited Mar. 25, 2011]. Available from Internet, <URL: <http://www.gsmarena.com>>.*

* cited by examiner

FIG. 1

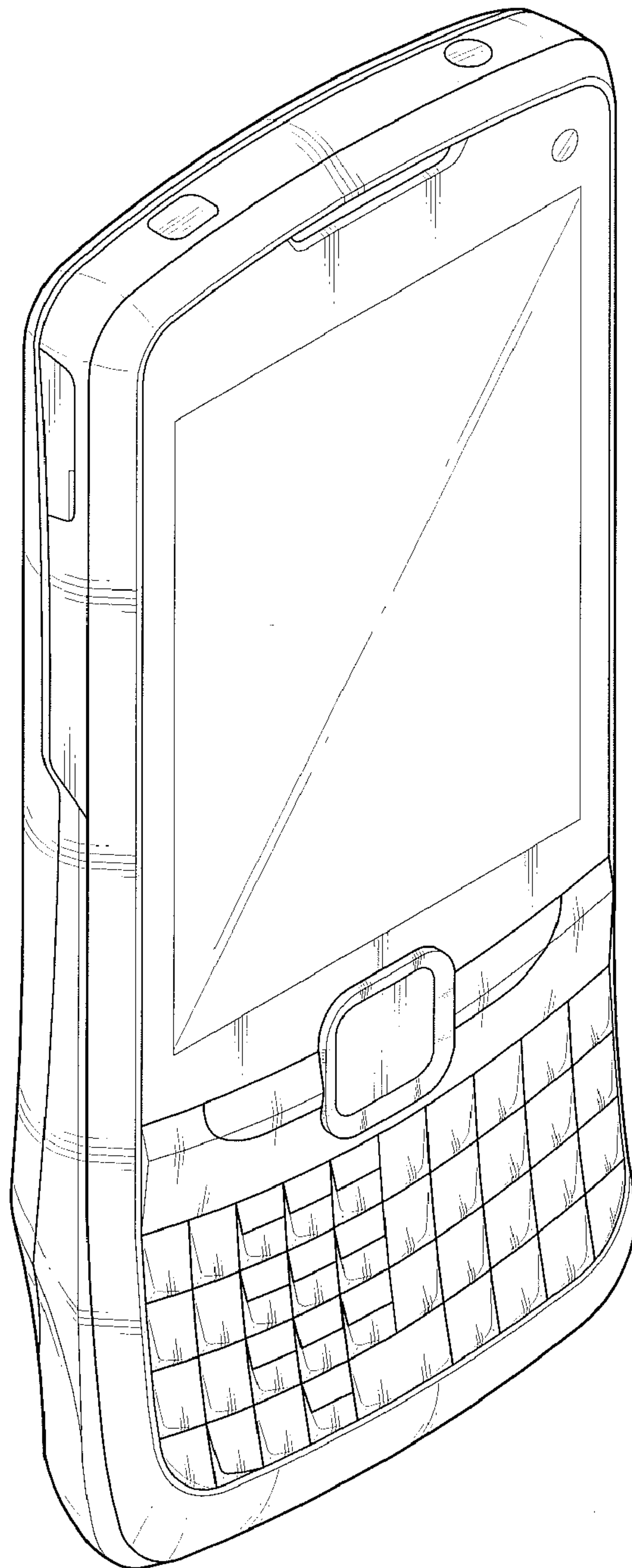


FIG.2

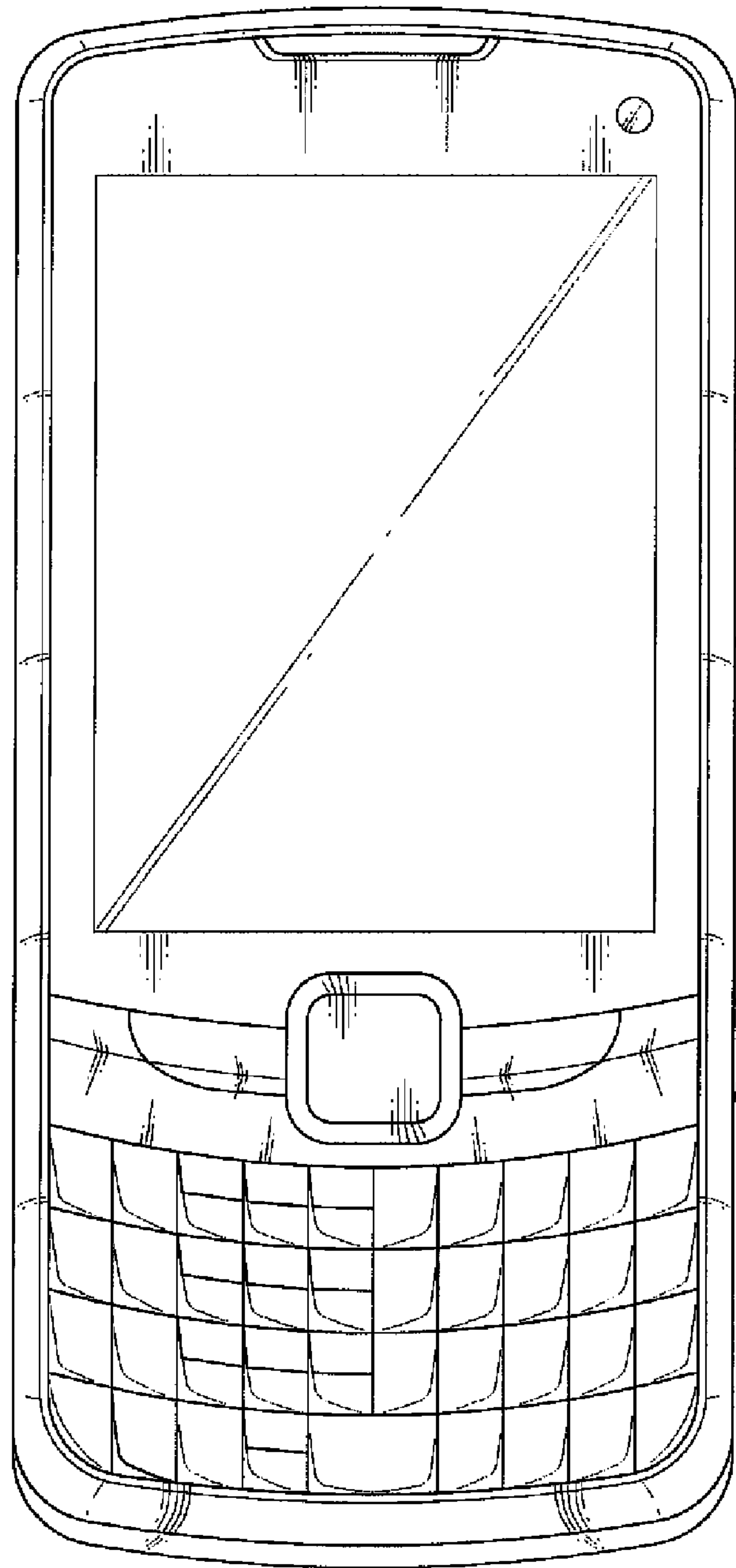


FIG.3

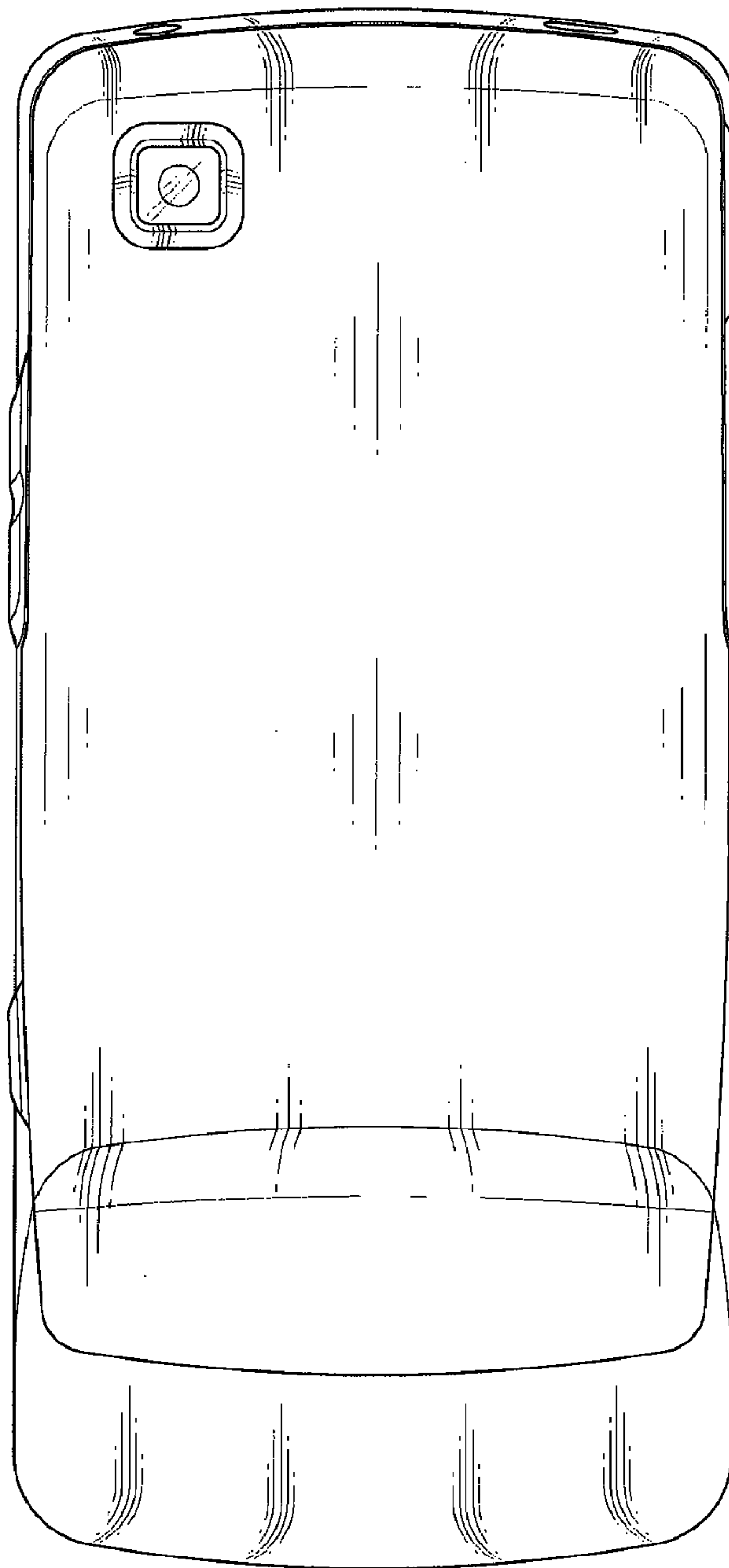


FIG. 4

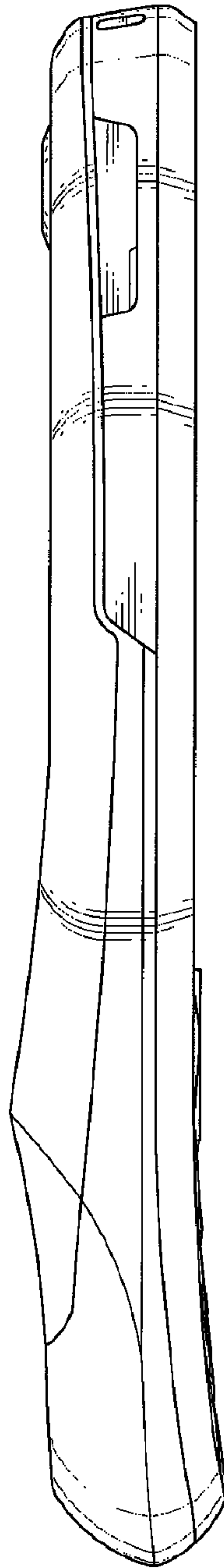


FIG. 5

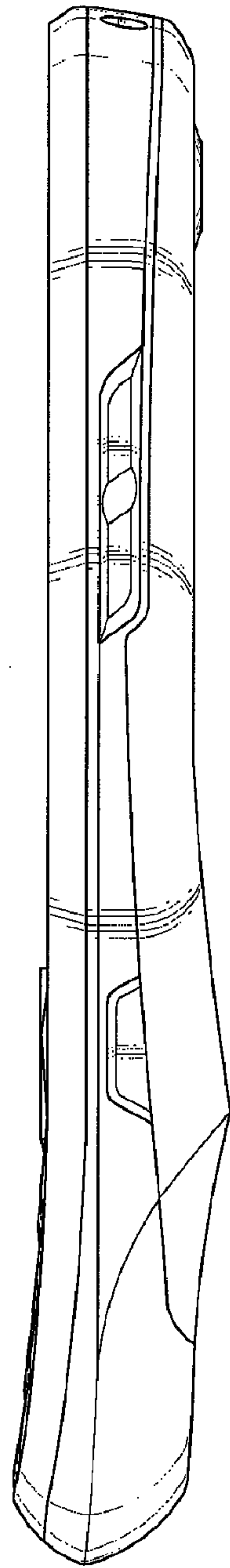


FIG. 6

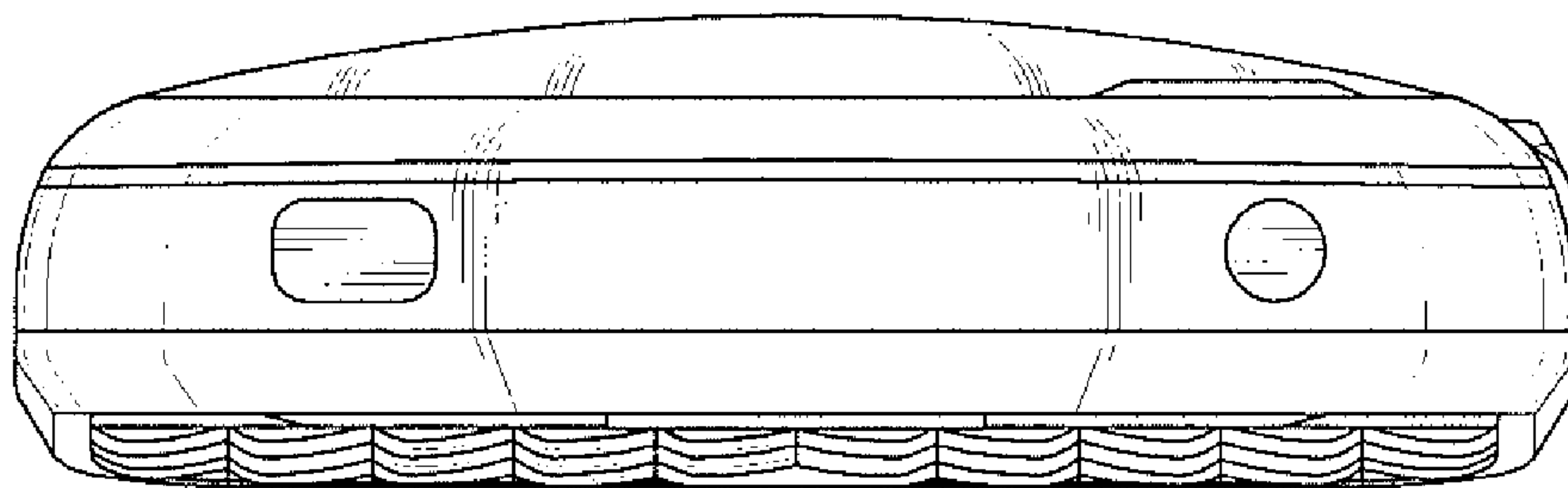


FIG. 7

