



US00D641334S

(12) **United States Design Patent**  
**Hong et al.**

(10) **Patent No.:** **US D641,334 S**

(45) **Date of Patent:** **\*\* Jul. 12, 2011**

(54) **MOBILE PHONE**

(75) Inventors: **Jae-Hyung Hong**, Seoul (KR);  
**Kee-Moon Lee**, Seoul (KR)

(73) Assignee: **Samsung Electronics Co., Ltd.** (KR)

(\*\*) Term: **14 Years**

(21) Appl. No.: **29/379,732**

(22) Filed: **Nov. 23, 2010**

(30) **Foreign Application Priority Data**

Sep. 30, 2010 (KR) ..... 30-2010-0042597

(51) **LOC (9) Cl.** ..... **14-03**

(52) **U.S. Cl.** ..... **D14/138 AA**

(58) **Field of Classification Search** ..... D14/138 AA,  
D14/496, 341, 345, 346, 203.3, 203.4, 203.7,  
D14/138 AD, 138 R, 147, 218, 137; 455/575.1,  
455/556.2, 575.3, 575.4; D21/517; 379/433.01,  
379/433.04, 433.11, 433.12, 433.13; D13/168  
See application file for complete search history.

(56) **References Cited**

**U.S. PATENT DOCUMENTS**

D208,346 S *	8/1967	Dixon	.....	D5/58
D427,983 S *	7/2000	Nagano et al.	.....	D14/138 AA
D436,939 S *	1/2001	Nagano et al.	.....	D14/138 AA
D488,810 S *	4/2004	Lin et al.	.....	D14/341
D554,097 S *	10/2007	Lee	.....	D14/138 AD
D555,621 S *	11/2007	Seo	.....	D14/138 AA
D576,994 S *	9/2008	Oh et al.	.....	D14/138 AA
D584,279 S *	1/2009	Yoshie et al.	.....	D14/138 AA
D597,046 S *	7/2009	Millora	.....	D14/138 AA
7,565,183 B2 *	7/2009	Vance et al.	.....	455/575.1
D602,456 S *	10/2009	Aithal et al.	.....	D14/138 AA
D609,208 S *	2/2010	Cheng	.....	D14/138 AA
D610,109 S *	2/2010	Kim et al.	.....	D14/138 AA
D610,110 S *	2/2010	Lee et al.	.....	D14/138 AA

D610,112 S *	2/2010	Kim et al.	.....	D14/138 AA
D610,121 S *	2/2010	Lee et al.	.....	D14/138 AA
D611,442 S *	3/2010	Kim et al.	.....	D14/138 AA
D618,194 S *	6/2010	Kim et al.	.....	D14/138 AA
D618,196 S *	6/2010	Bang et al.	.....	D14/138 AA
D618,197 S *	6/2010	Bang et al.	.....	D14/138 AA
D618,198 S *	6/2010	Bang et al.	.....	D14/138 AA
D618,648 S *	6/2010	Bang et al.	.....	D14/138 AA
D622,686 S *	8/2010	Muspratt-Williams et al.	.....	D14/138 AA

**OTHER PUBLICATIONS**

Samsung B2700 telephone, announced Sep. 2008, [online], [site visited Mar. 25, 2011]. Available from Internet, <URL: <http://www.gsmarena.com>>.\*

Samsung B2100 Xplorer telephone, announced Mar. 2009, [online], [site visited Mar. 25, 2011]. Available from Internet, <URL: <http://www.gsmarena.com>>.\*

Samsung A657 telephone, announced Apr. 2009, [online], [site visited Mar. 25, 2011]. Available from Internet, <URL: <http://www.gsmarena.com>>.\*

(Continued)

*Primary Examiner* — Jeff D Asch

(74) *Attorney, Agent, or Firm* — NSIP Law

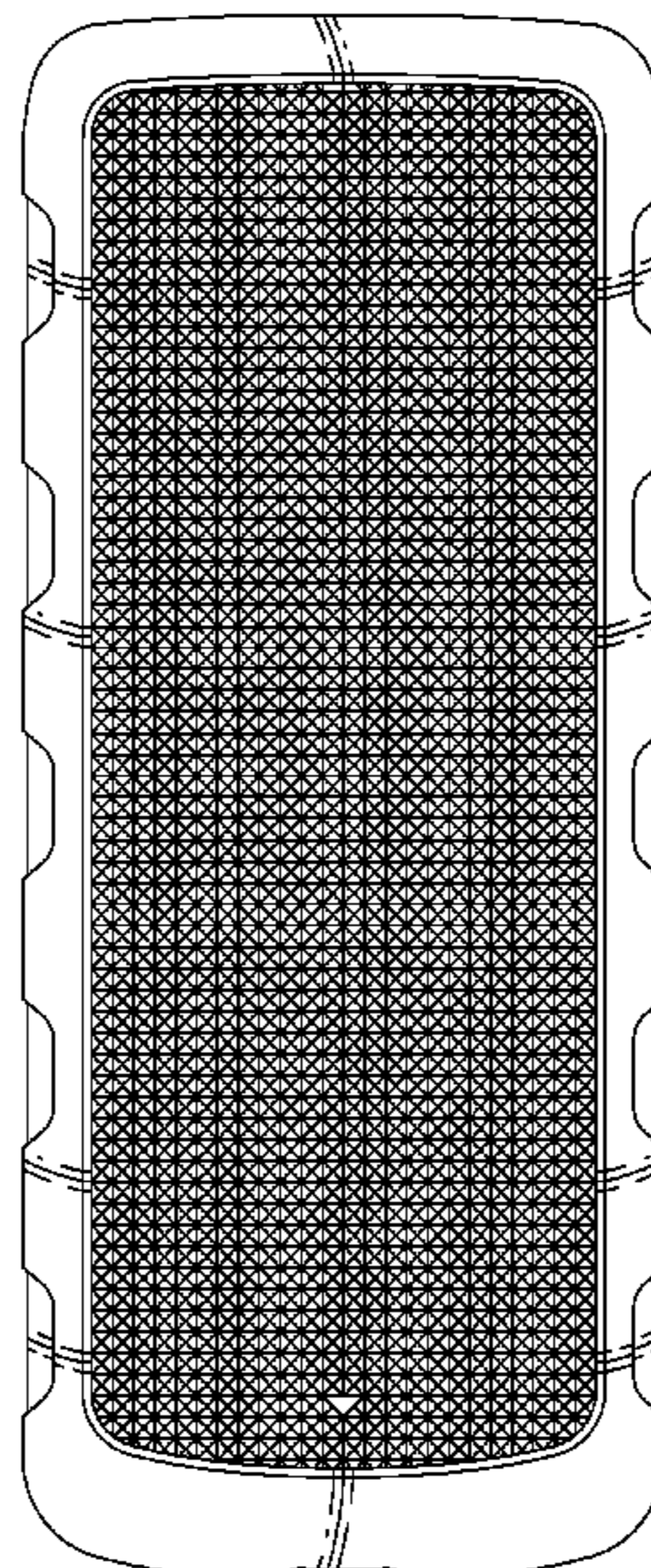
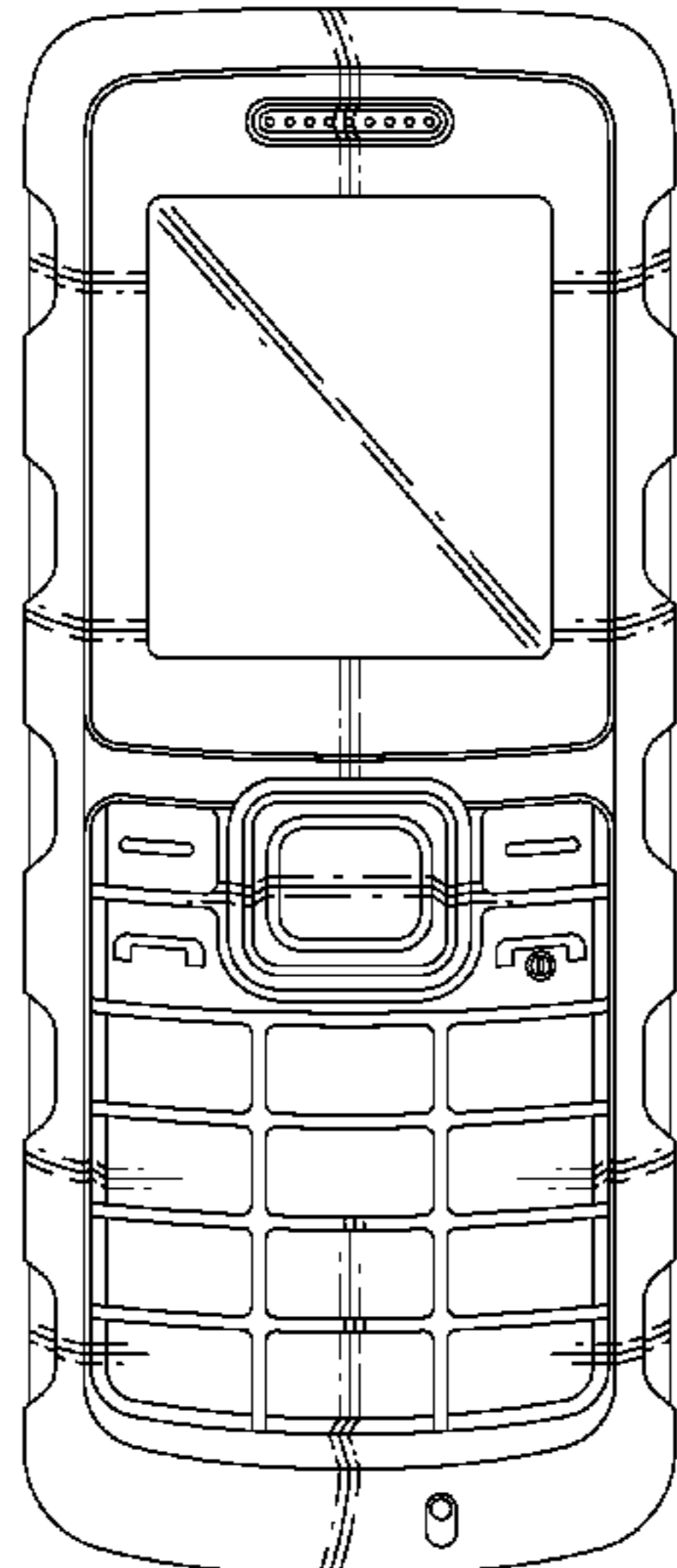
(57) **CLAIM**

The ornamental design for a mobile phone, as shown and described.

**DESCRIPTION**

FIG. 1 is a perspective view of a mobile phone;  
FIG. 2 is a front view of the mobile phone of FIG. 1;  
FIG. 3 is a rear view of the mobile phone of FIG. 1;  
FIG. 4 is a left-side view of the mobile phone of FIG. 1;  
FIG. 5 is a right-side view of the mobile phone of FIG. 1;  
FIG. 6 is a top plan view of the mobile phone of FIG. 1; and,  
FIG. 7 is a bottom plan view of the mobile phone of FIG. 1.

**1 Claim, 5 Drawing Sheets**



OTHER PUBLICATIONS

Samsung E1130B telephone, announced Oct. 2009, [online], [site visited Mar. 25, 2011]. Available from Internet, <URL: <http://www.gsmarena.com>>.\*

Samsung Xcover 271 telephone, announced Sep. 2010, [online], [site visited Mar. 25, 2011]. Available from Internet, <URL: <http://www.gsmarena.com>>.\*

Samsung M110 telephone, announced Jan. 2008, [online], [site visited Mar. 25, 2011]. Available from Internet, <URL: <http://www.gsmarena.com>>.\*

Samsung M150 telephone, announced Jul. 2008, [online], [site visited Mar. 25, 2011]. Available from Internet, <URL: <http://www.gsmarena.com>>.\*

\* cited by examiner

FIG. 1

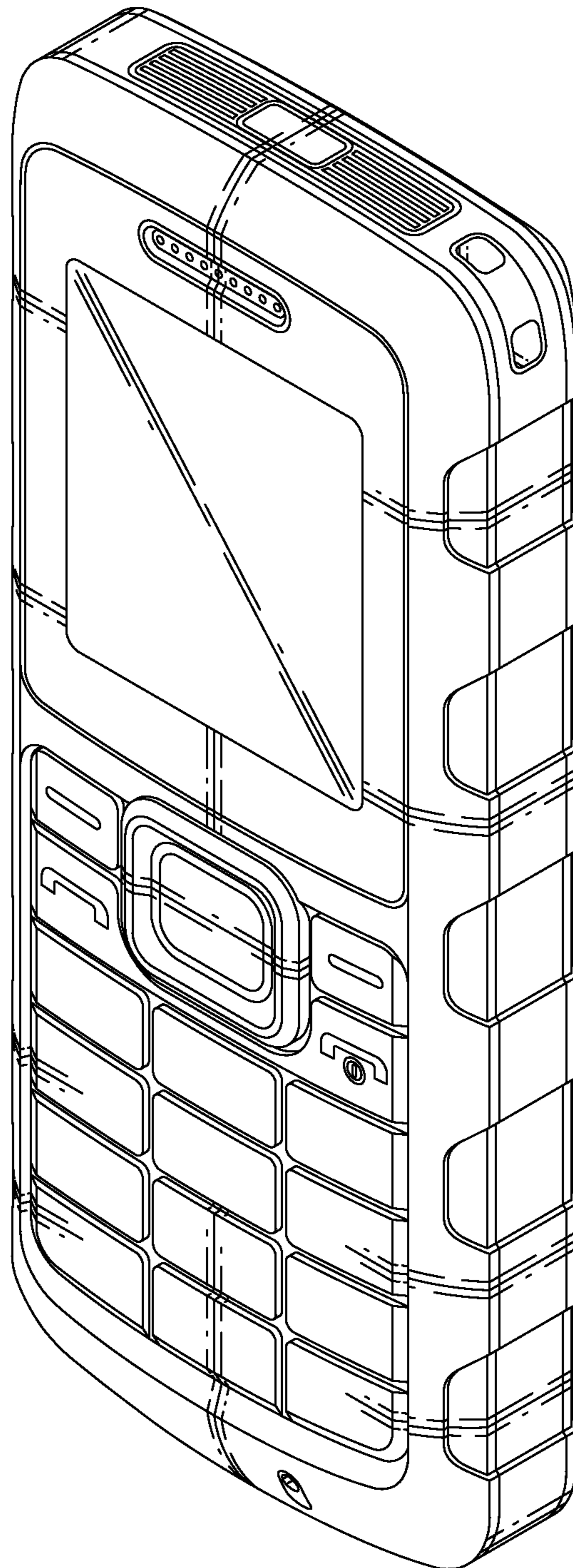


FIG. 2

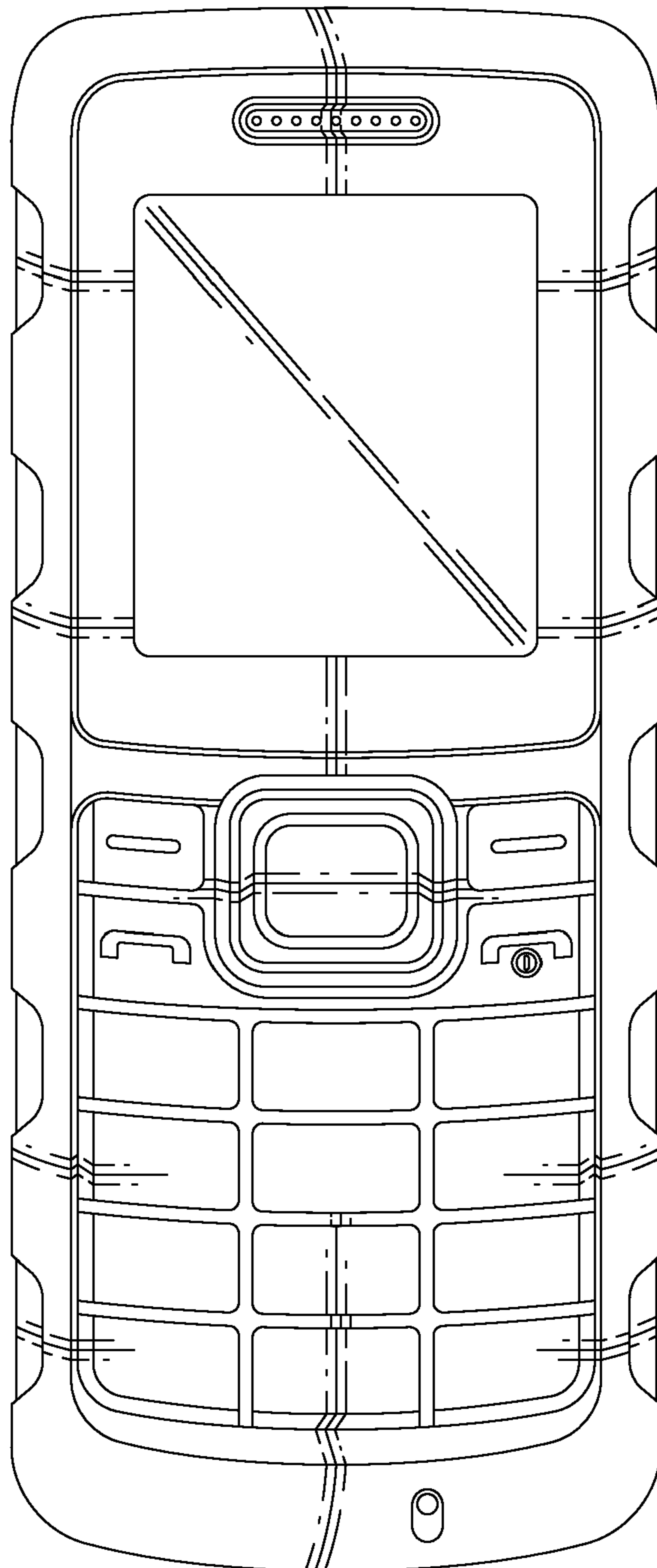




FIG. 3

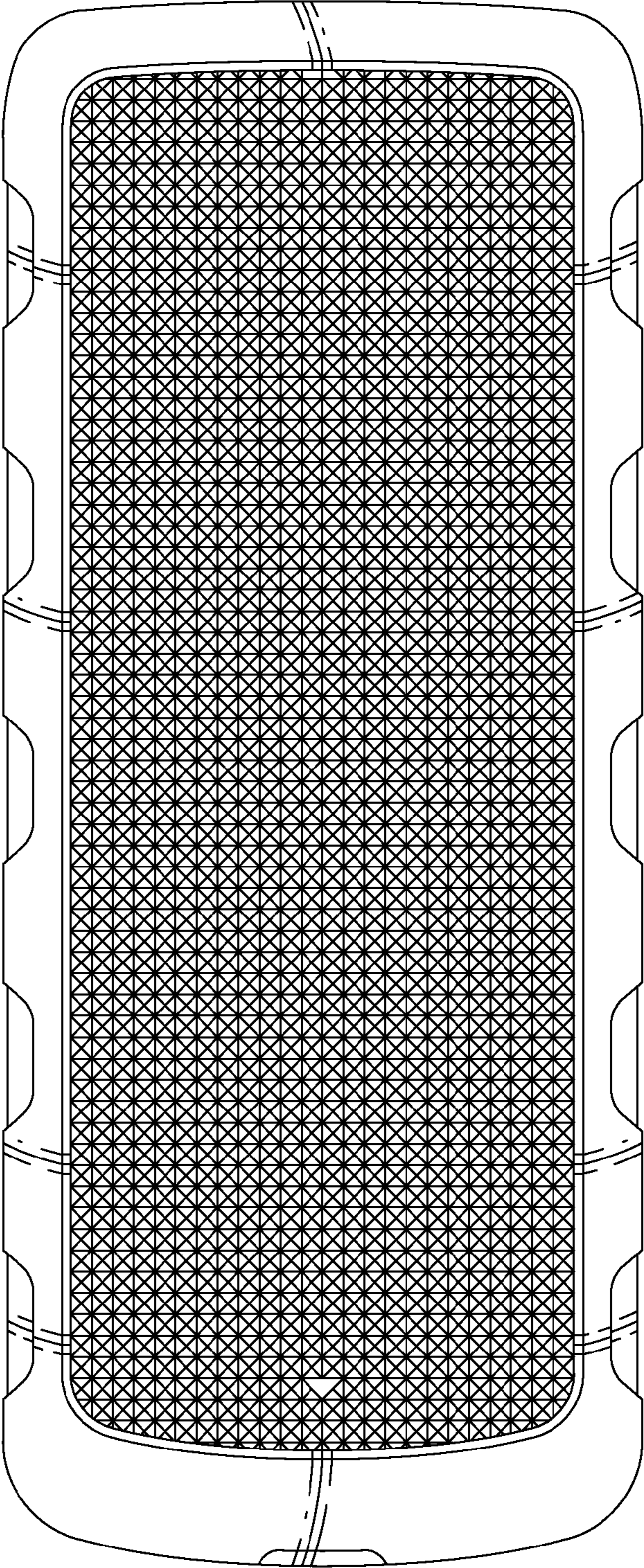


FIG. 4

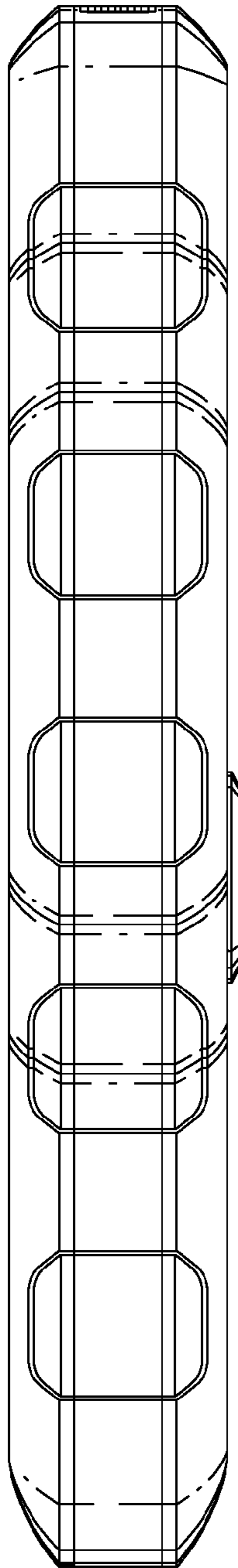


FIG. 5

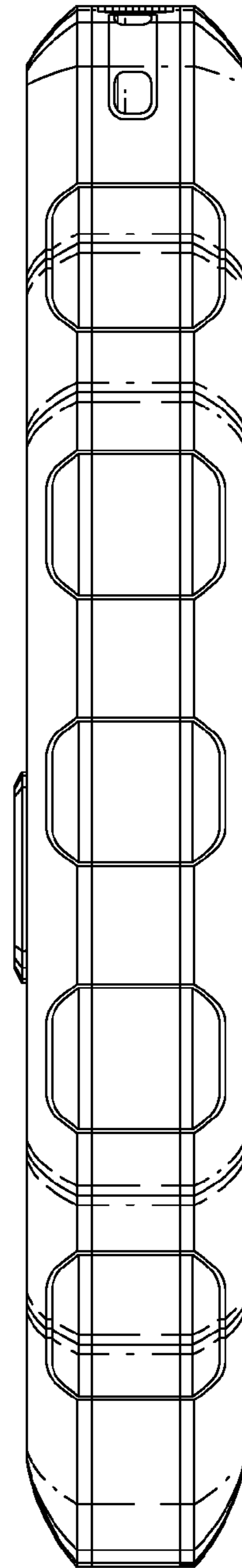


FIG. 6

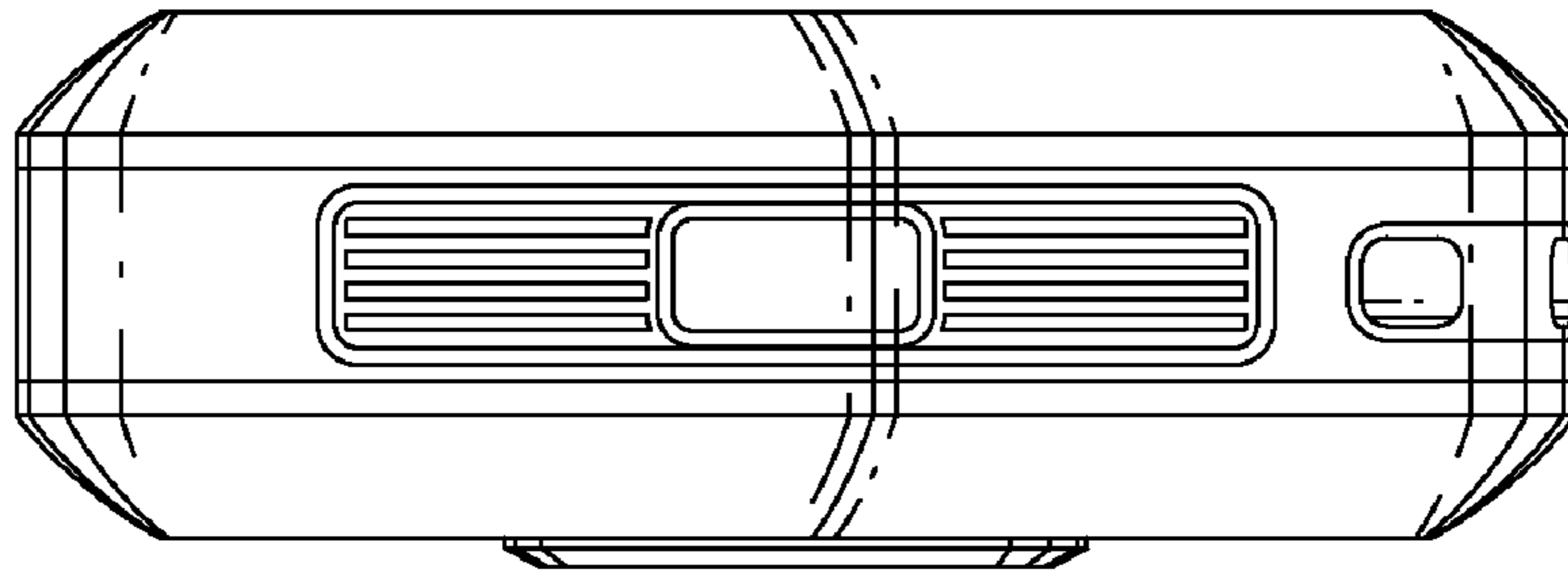


FIG. 7

