



US00D641329S

(12) **United States Design Patent**
Zhang

(10) **Patent No.:** **US D641,329 S**

(45) **Date of Patent:** **** Jul. 12, 2011**

(54) **TELEVISION**

(75) Inventor: **Wenming Zhang**, Qingdao (CN)

(73) Assignee: **Hisense Electric Co., Ltd.**, Qingdao,
Shan Dong Province (CN)

(**) Term: **14 Years**

(21) Appl. No.: **29/382,528**

(22) Filed: **Jan. 5, 2011**

(51) **LOC (9) Cl.** **14-03**

(52) **U.S. Cl.** **D14/126**

(58) **Field of Classification Search** D14/125-134,
D14/239, 371, 136, 374-377, 440, 450, 448,
D14/336, 342; 312/7.2; 348/836, 838, 180,
348/184, 325, 739; 341/12; 248/917-924,
248/465; 345/104, 133, 156, 168, 87, 173;
720/605, 669, 600, 655; 369/99, 197; D21/329,
D21/515, 577, 622, 333, 433, 448, 452, 450,
D21/331; D6/477, 479, 300; 273/148 B;
446/484, 175, 356; D10/15, 26

See application file for complete search history.

(56) **References Cited**

U.S. PATENT DOCUMENTS

D599,755 S 9/2009 Jin et al.
D606,953 S * 12/2009 Shin et al. D14/126

D617,291 S * 6/2010 Lee D14/126
D619,978 S * 7/2010 Kim et al. D14/126
D622,233 S * 8/2010 Shin et al. D14/126
D624,512 S * 9/2010 Kim et al. D14/126
D624,895 S * 10/2010 Kasuga et al. D14/126
D626,927 S * 11/2010 Honda D14/126

* cited by examiner

Primary Examiner — Raphael Barkai

(74) *Attorney, Agent, or Firm* — Vincent K. Gustafson;
Hultquist IP

(57) **CLAIM**

The ornamental design for a television, as shown and described.

DESCRIPTION

FIG. 1 is a perspective view of a television showing my new design.

FIG. 2 is a front elevation view of the television of FIG. 1.

FIG. 3 is a right side elevation view of the television of FIGS. 1-2.

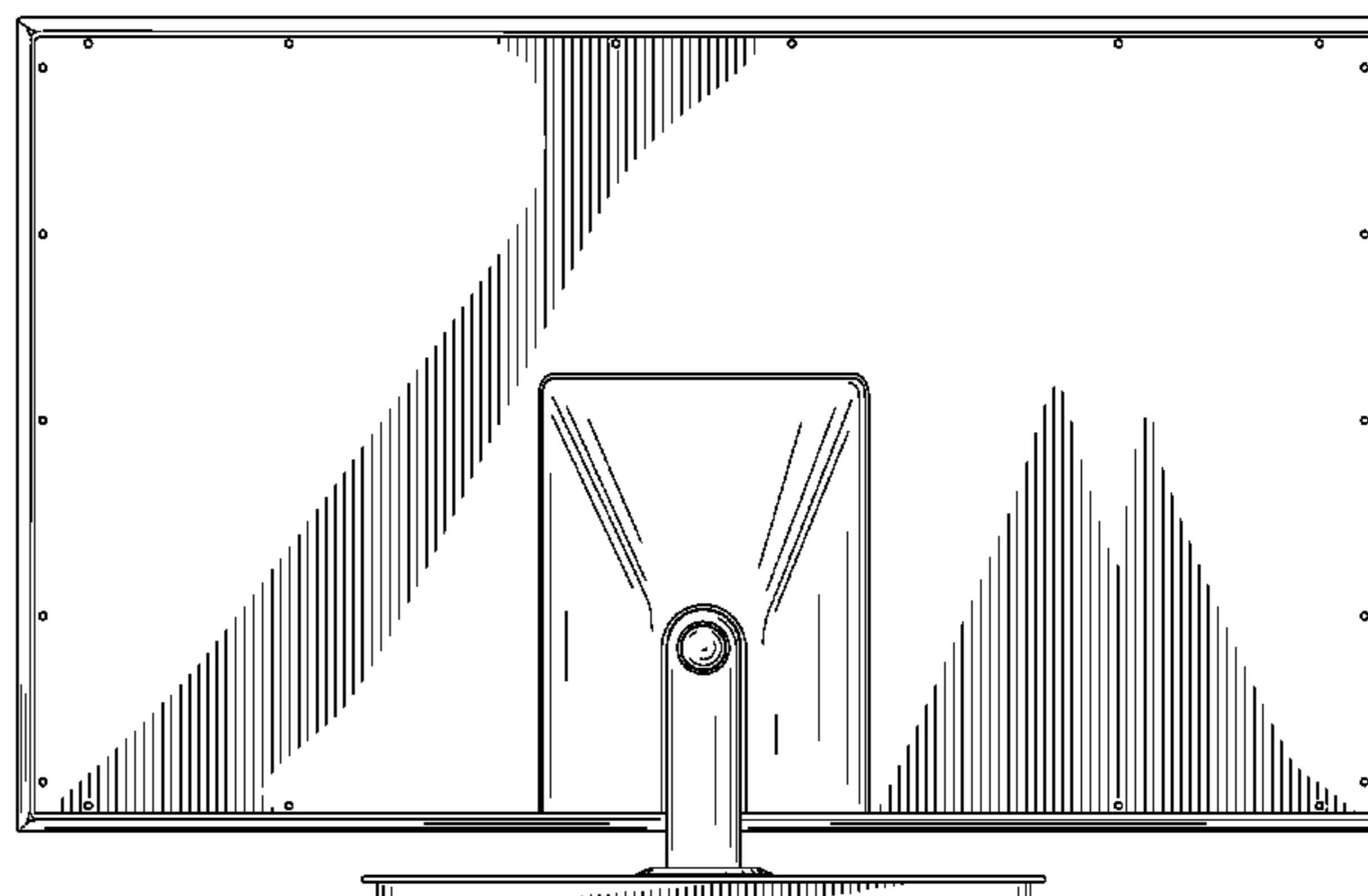
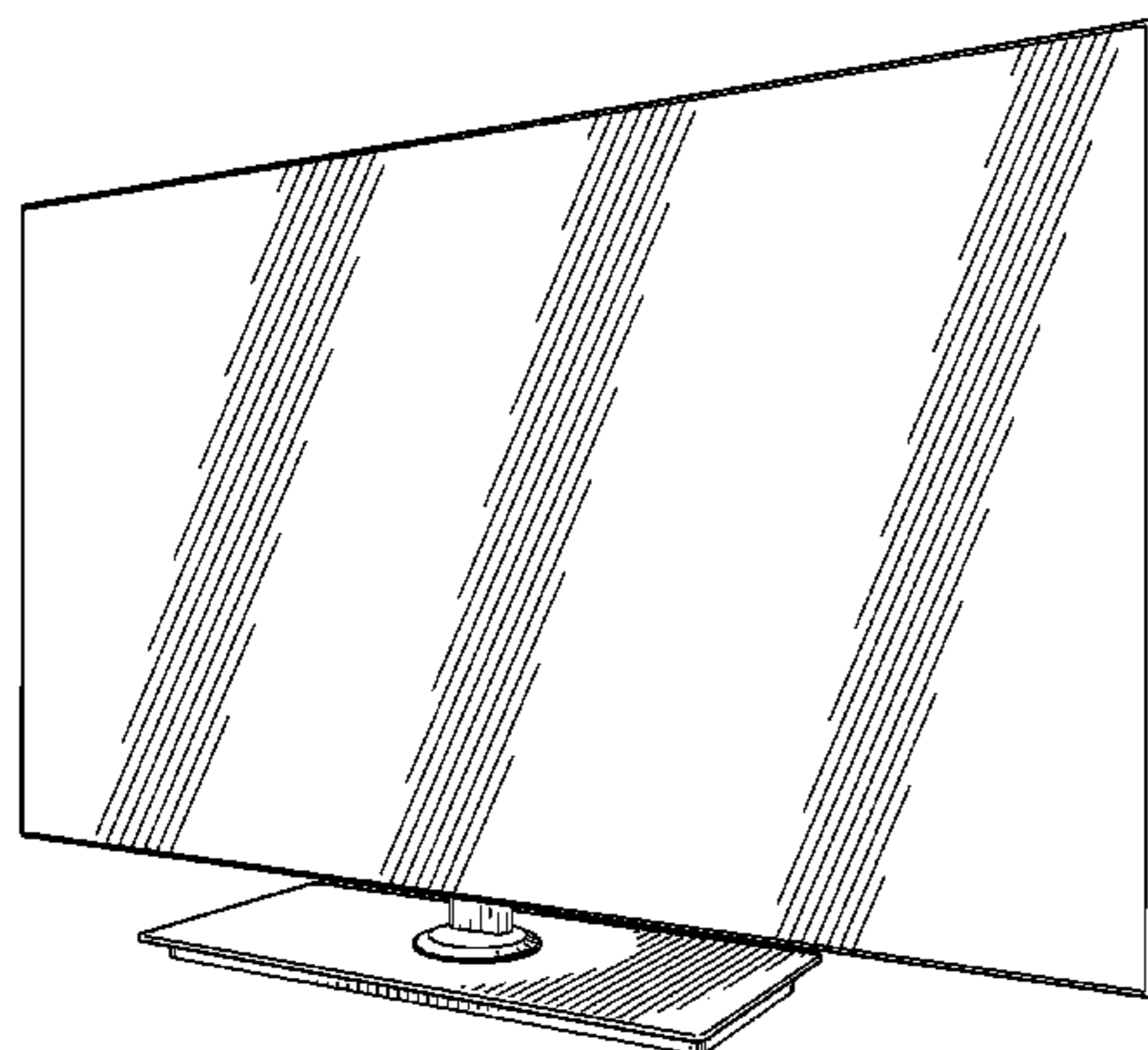
FIG. 4 is a top plan view of the television of FIGS. 1-3.

FIG. 5 is a bottom plan view of the television of FIGS. 1-4; and,

FIG. 6 is a rear elevation view of the television of FIGS. 1-5.

The left side elevation view is a mirror image of the right side elevation view.

1 Claim, 5 Drawing Sheets



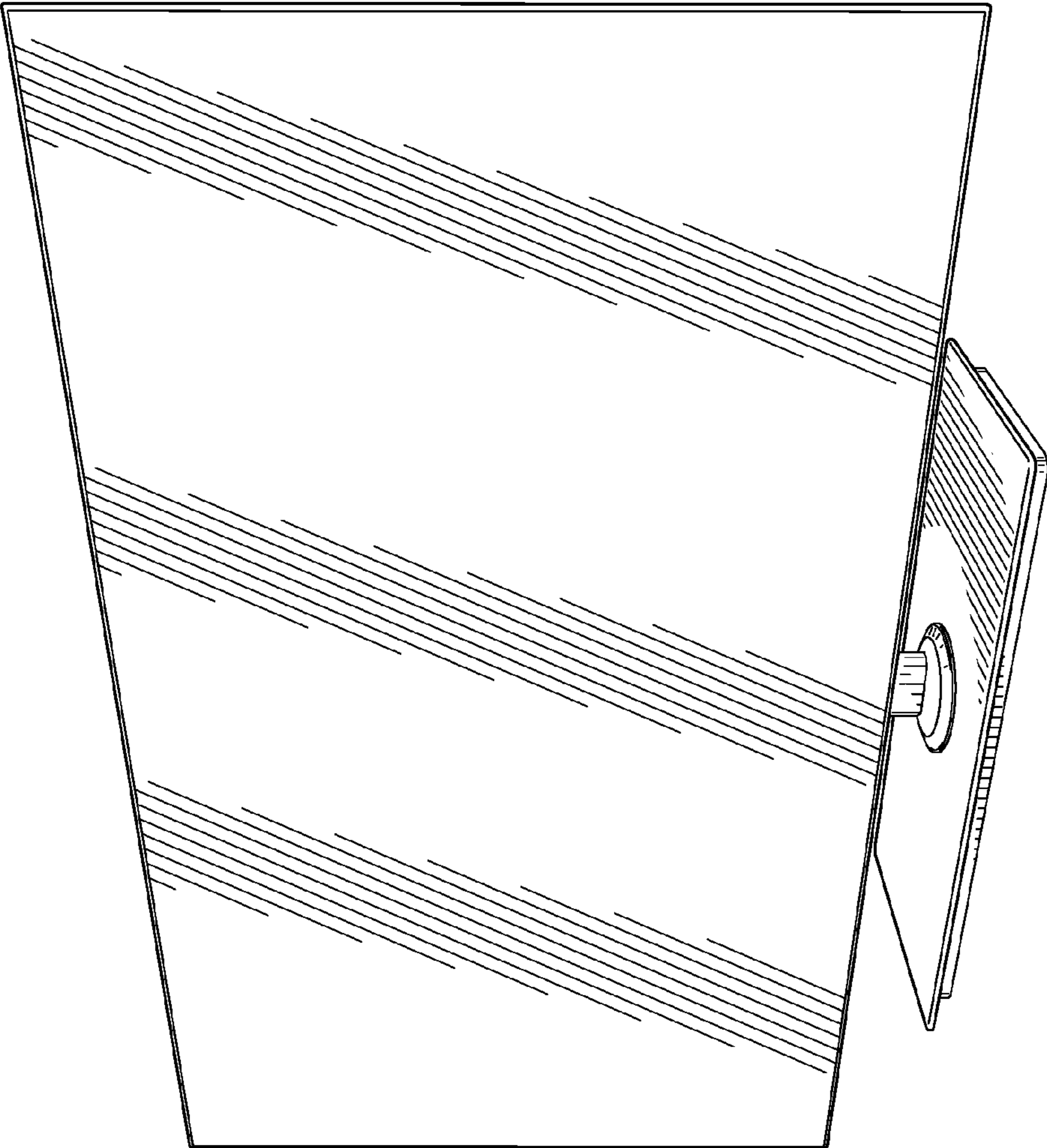


FIG. 1

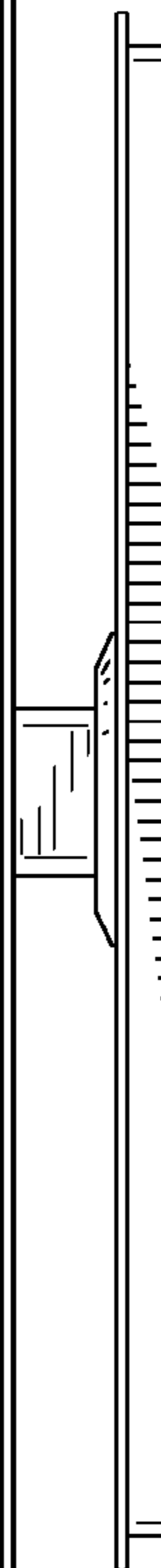
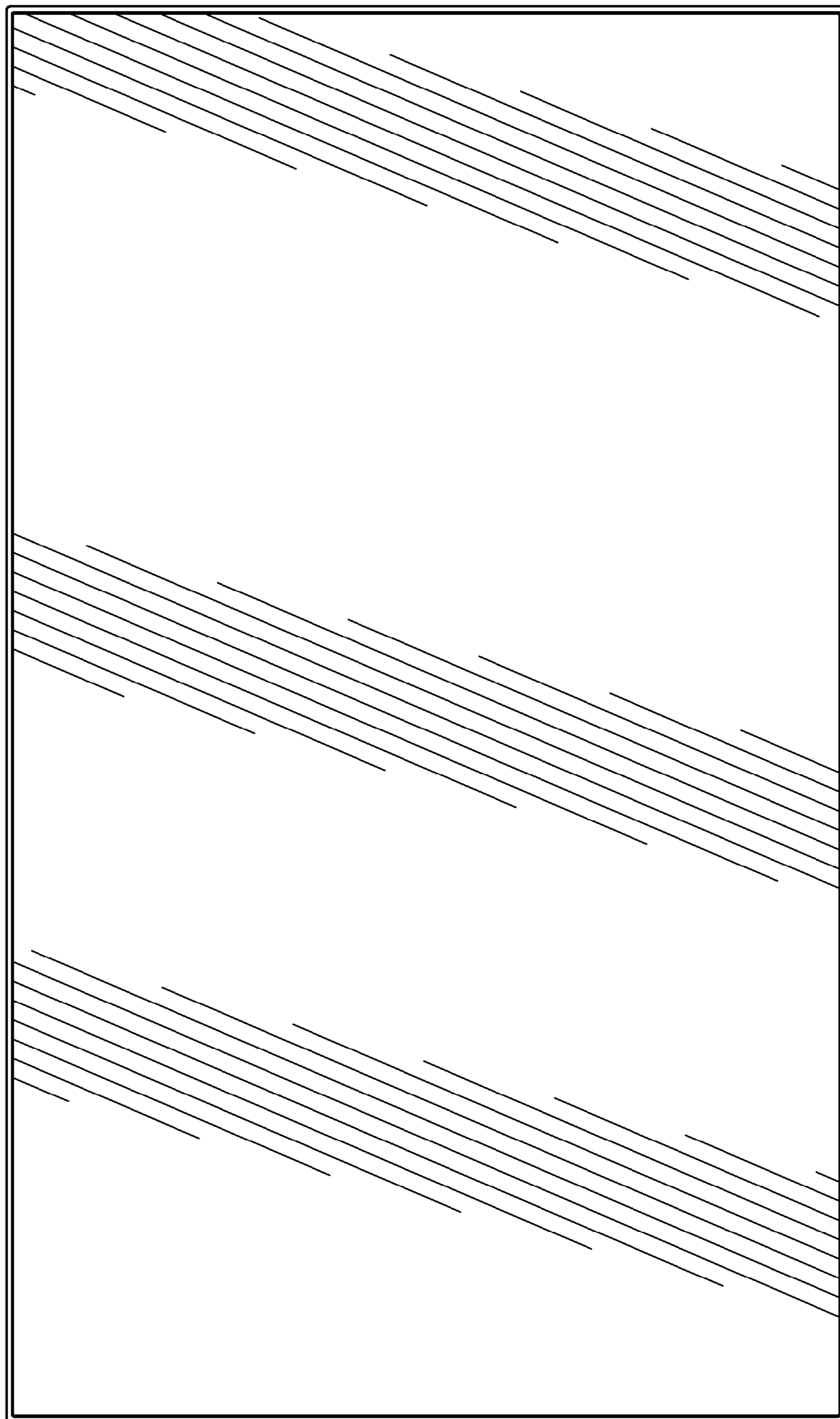


FIG. 2

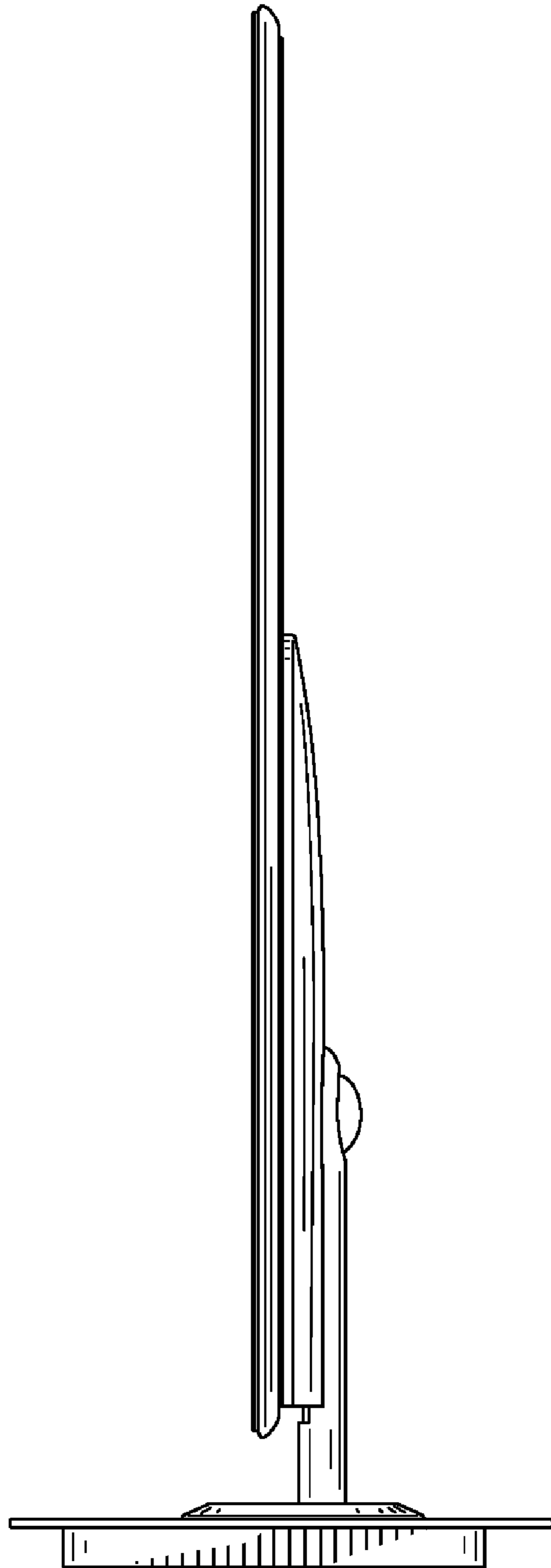


FIG. 3

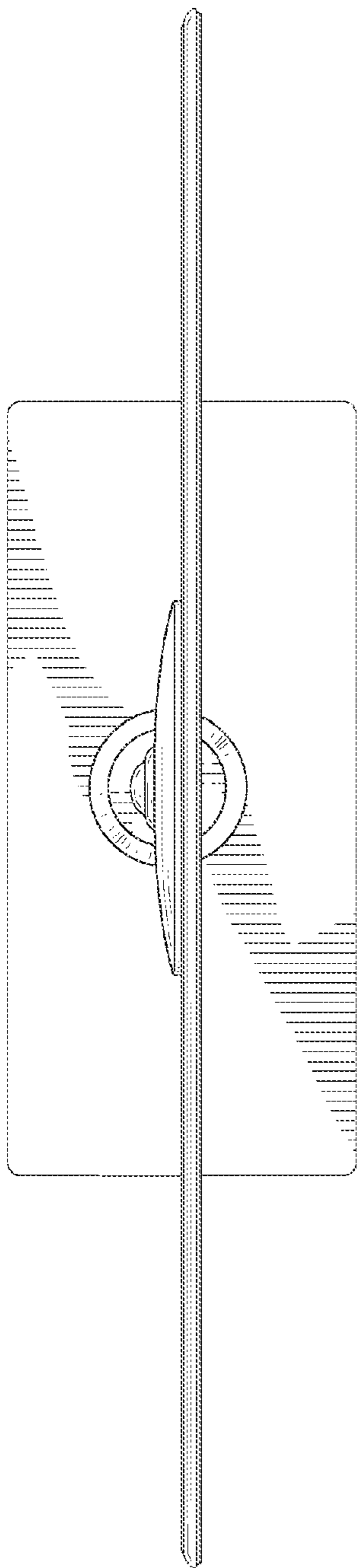


FIG. 4

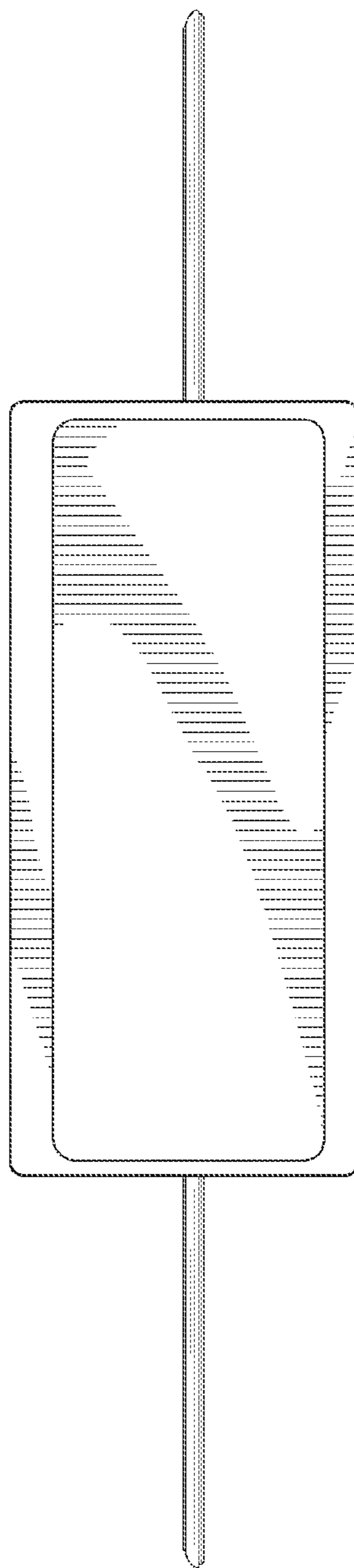


FIG. 5

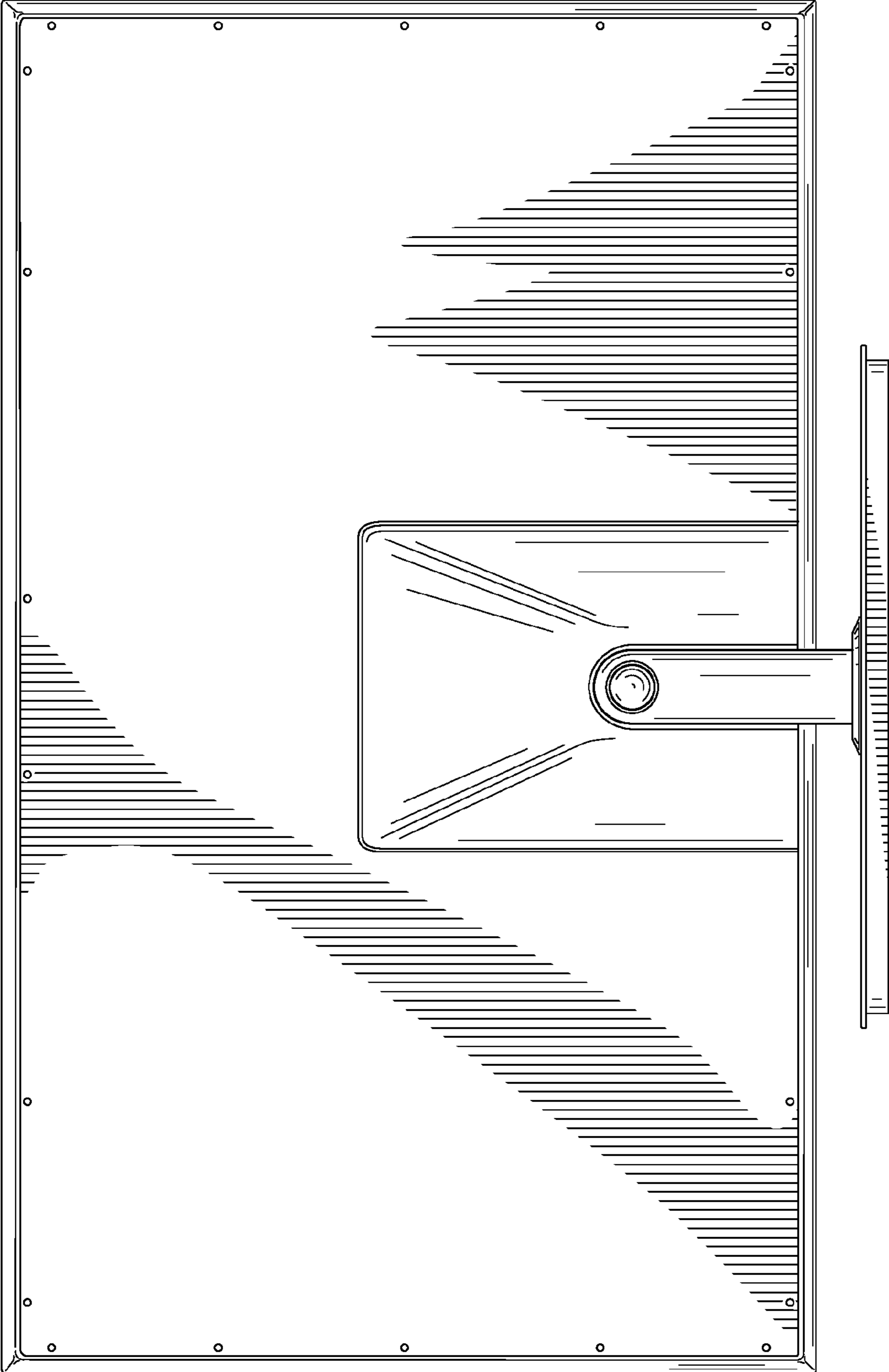


FIG. 6