



US00D641324S

(12) **United States Design Patent**
Svelnis et al.

(10) **Patent No.:** **US D641,324 S**
(45) **Date of Patent:** **** Jul. 12, 2011**

(54) **LATCH FOR TOOL-RELEASABLE SOLAR
POWER CONNECTOR**

(75) Inventors: **Christine M Svelnis**, Boylston, MA
(US); **Jeffrey S Burkhardt**, Brookline,
NH (US); **Brian F Davies**, Acton, MA
(US); **Jason Nicholson**, Westborough,
MA (US)

(73) Assignee: **Anderson Power Products, Inc.**,
Sterling, MA (US)

(**) Term: **14 Years**

(21) Appl. No.: **29/378,173**

(22) Filed: **Nov. 1, 2010**

(51) **LOC (9) Cl.** **13-03**

(52) **U.S. Cl.** **D13/154**

(58) **Field of Classification Search** D13/133,
D13/146, 147, 154, 156, 184, 199; 439/304,
439/310, 325, 338, 344, 345, 347, 350, 367,
439/370, 374, 527, 533, 607.53, 894, 901,
439/903

See application file for complete search history.

(56) **References Cited**

U.S. PATENT DOCUMENTS

| | | | | | | | |
|-----------|---|---|---------|----------------|-------|---------|---|
| 4,970,353 | A | * | 11/1990 | Kotz | | 174/138 | F |
| D601,971 | S | * | 10/2009 | Chen et al. | | D13/154 | |
| D606,024 | S | * | 12/2009 | Chiang | | D13/154 | |
| D620,888 | S | * | 8/2010 | Svelnis et al. | | D13/133 | |
| D621,355 | S | * | 8/2010 | Svelnis | | D13/133 | |

* cited by examiner

Primary Examiner — Daniel Bui

(74) *Attorney, Agent, or Firm* — Vern Maine & Associates

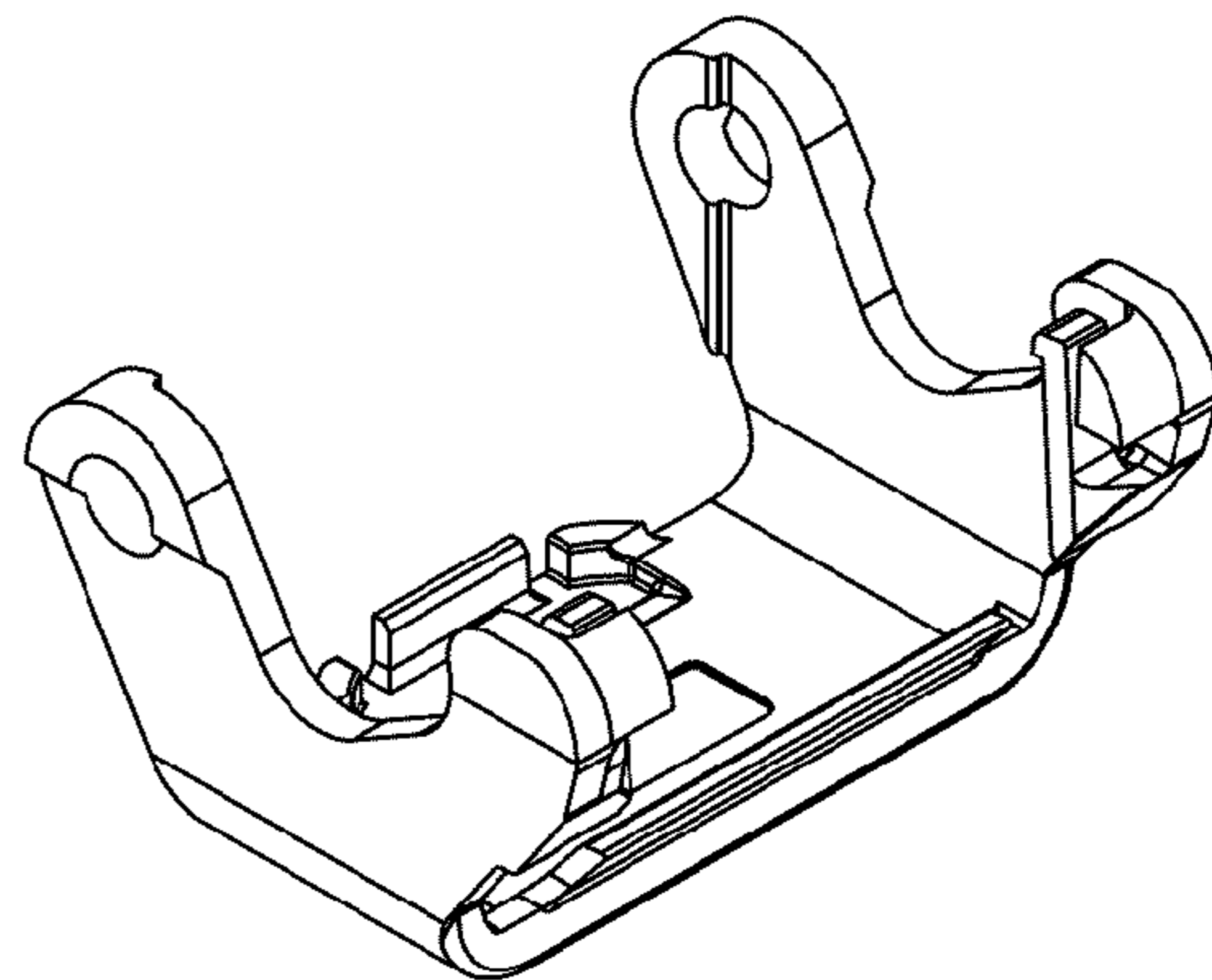
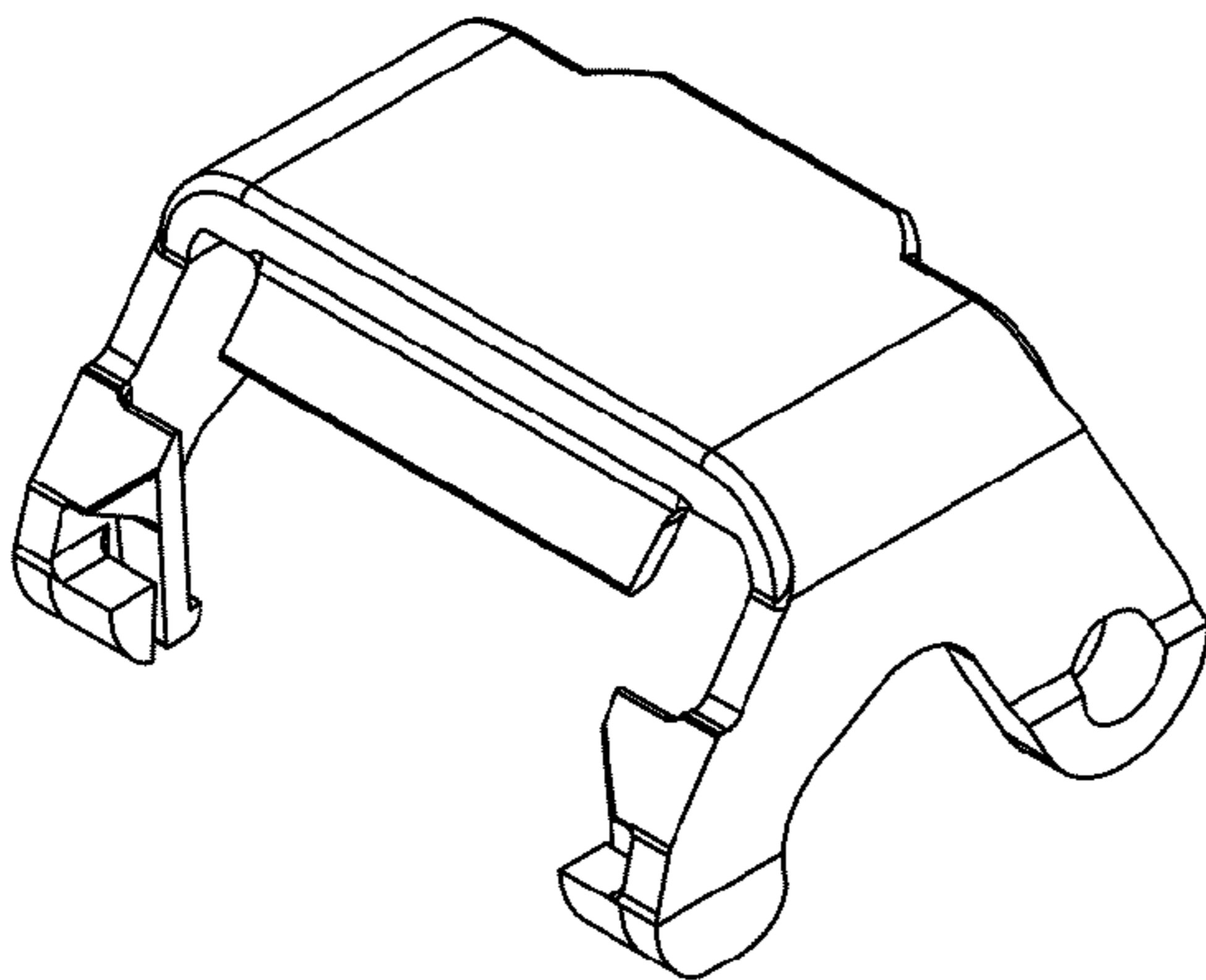
(57) **CLAIM**

The ornamental design for a latch for tool-releasable solar power connector, as shown and described.

DESCRIPTION

FIG. 1 is a front view of a latch for tool-releasable solar power connector showing our new design;
FIG. 2 is a back view thereof;
FIG. 3 is a left side view thereof;
FIG. 4 is a right side view thereof;
FIG. 5 is a top view thereof;
FIG. 6 is a bottom view thereof;
FIG. 7 is a front, top perspective view thereof; and,
FIG. 8 is a back, bottom perspective view thereof.

1 Claim, 8 Drawing Sheets



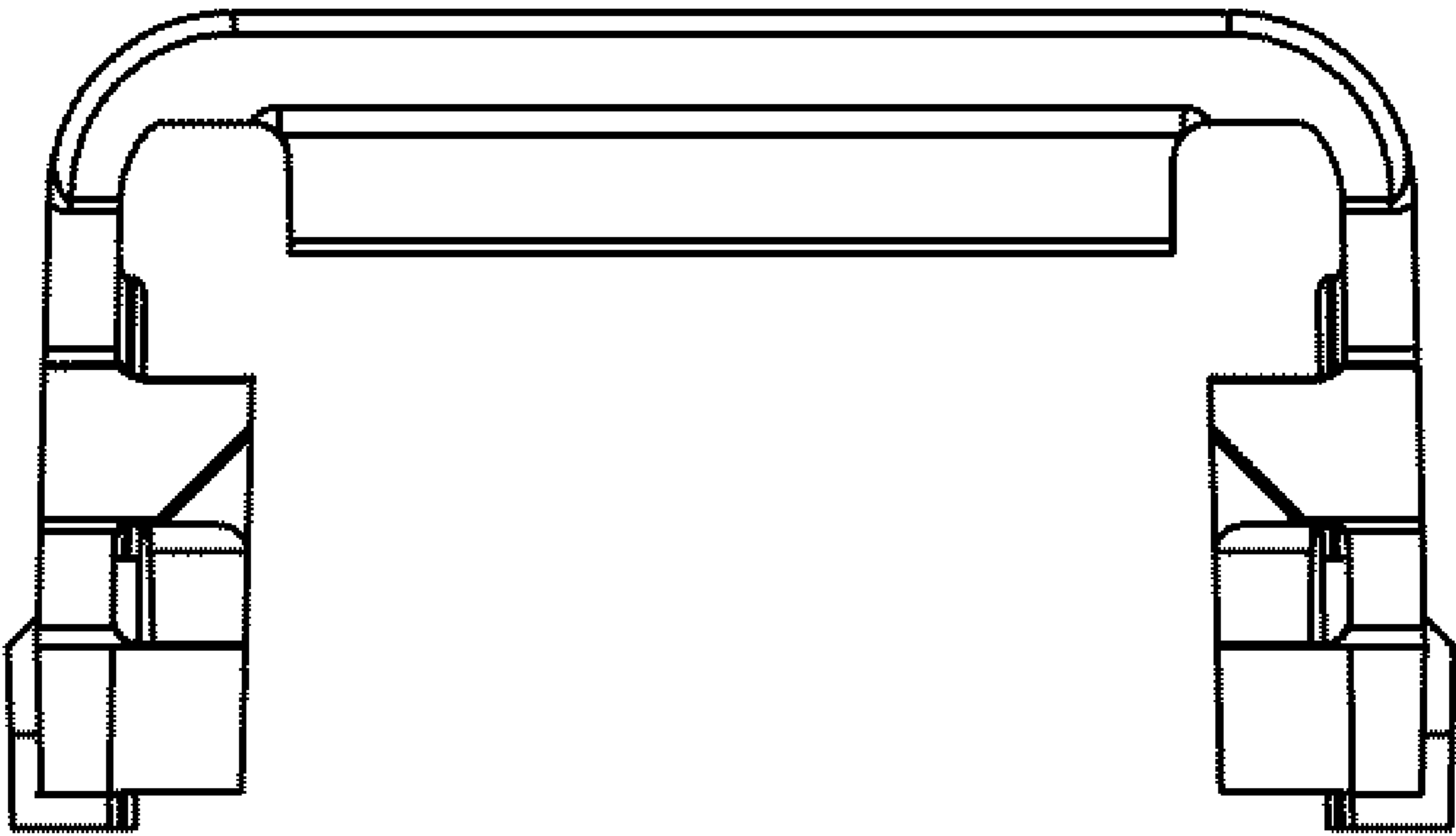


FIG. 1

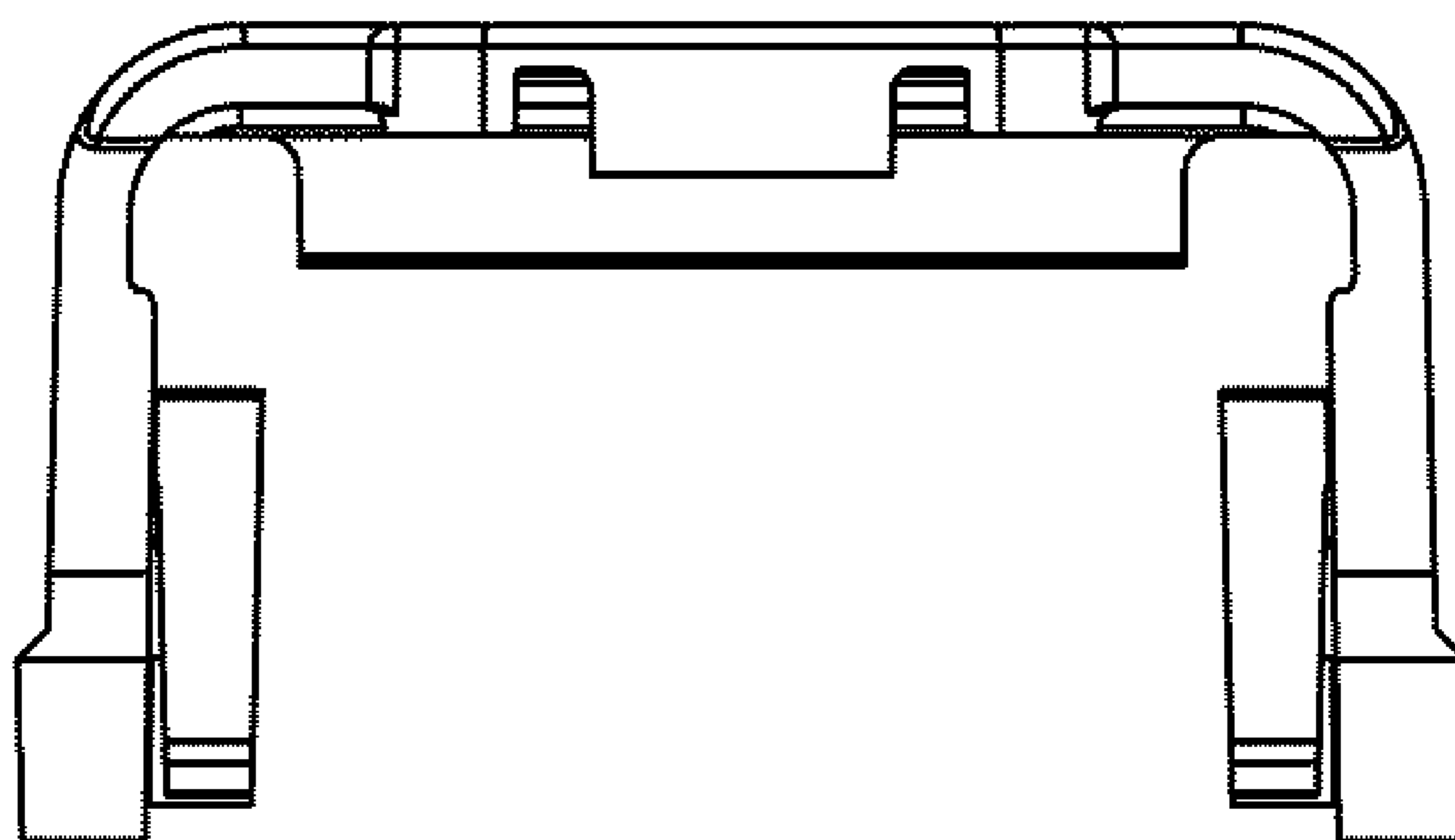


FIG. 2

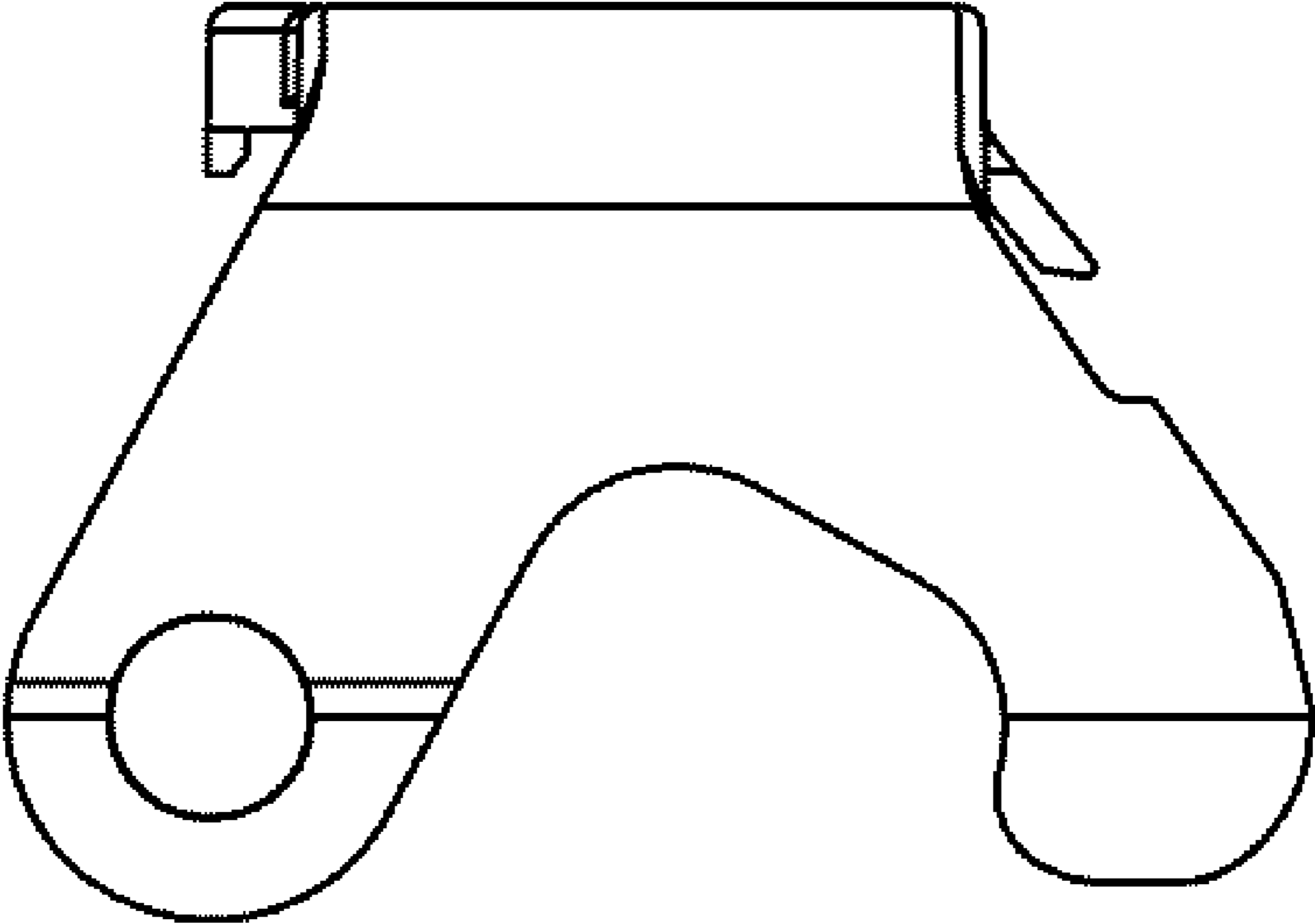


FIG. 3

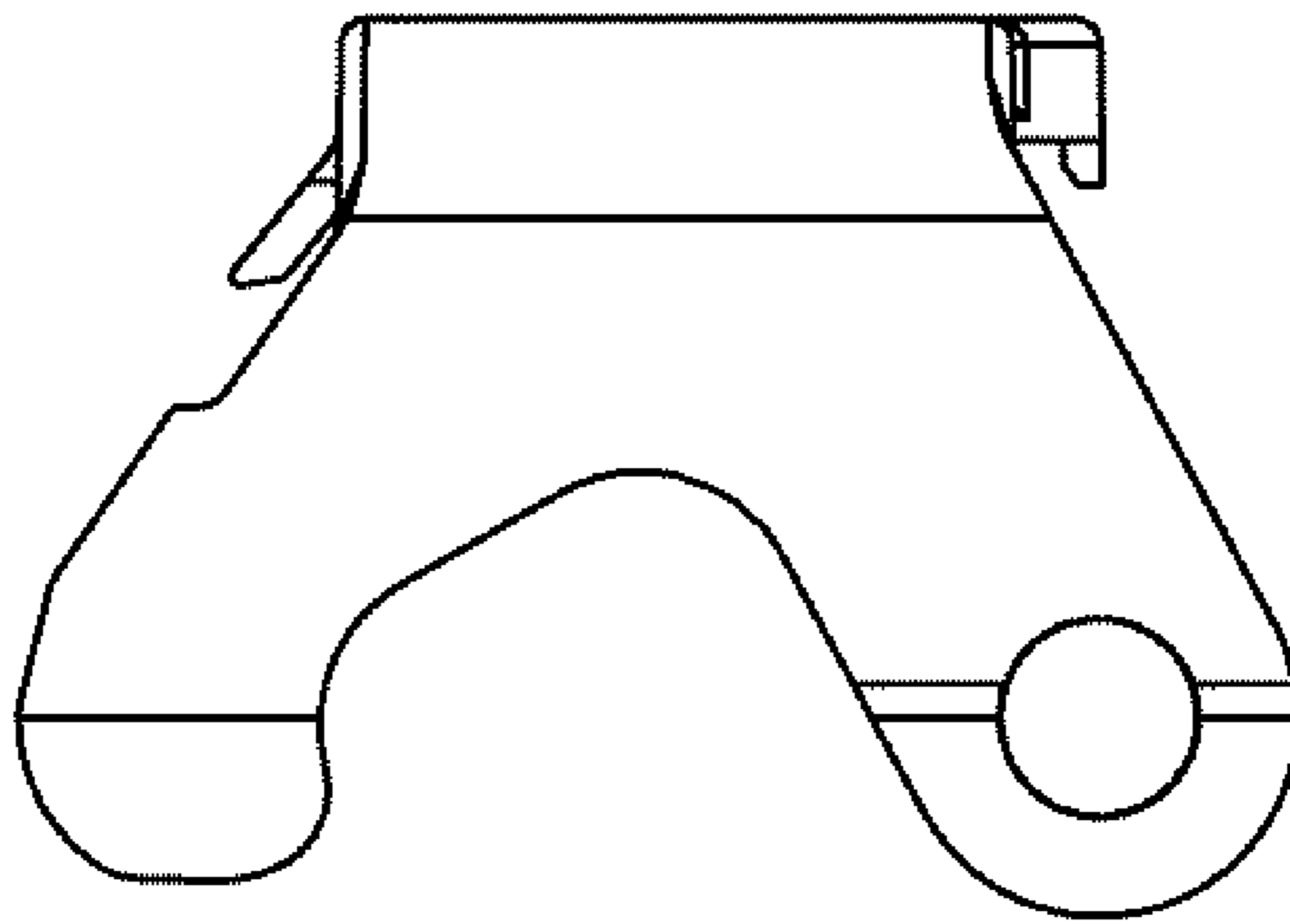


FIG. 4

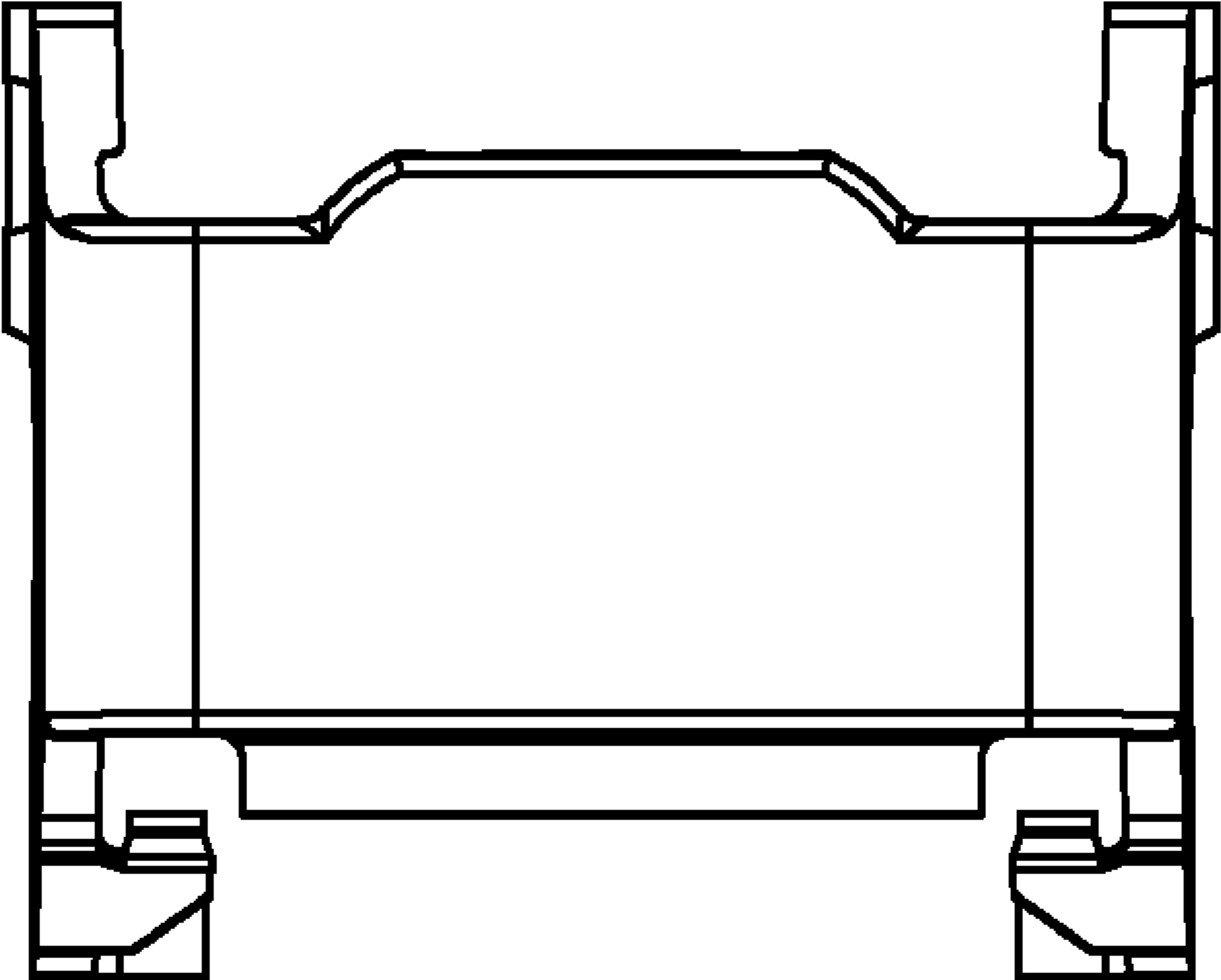


FIG. 5

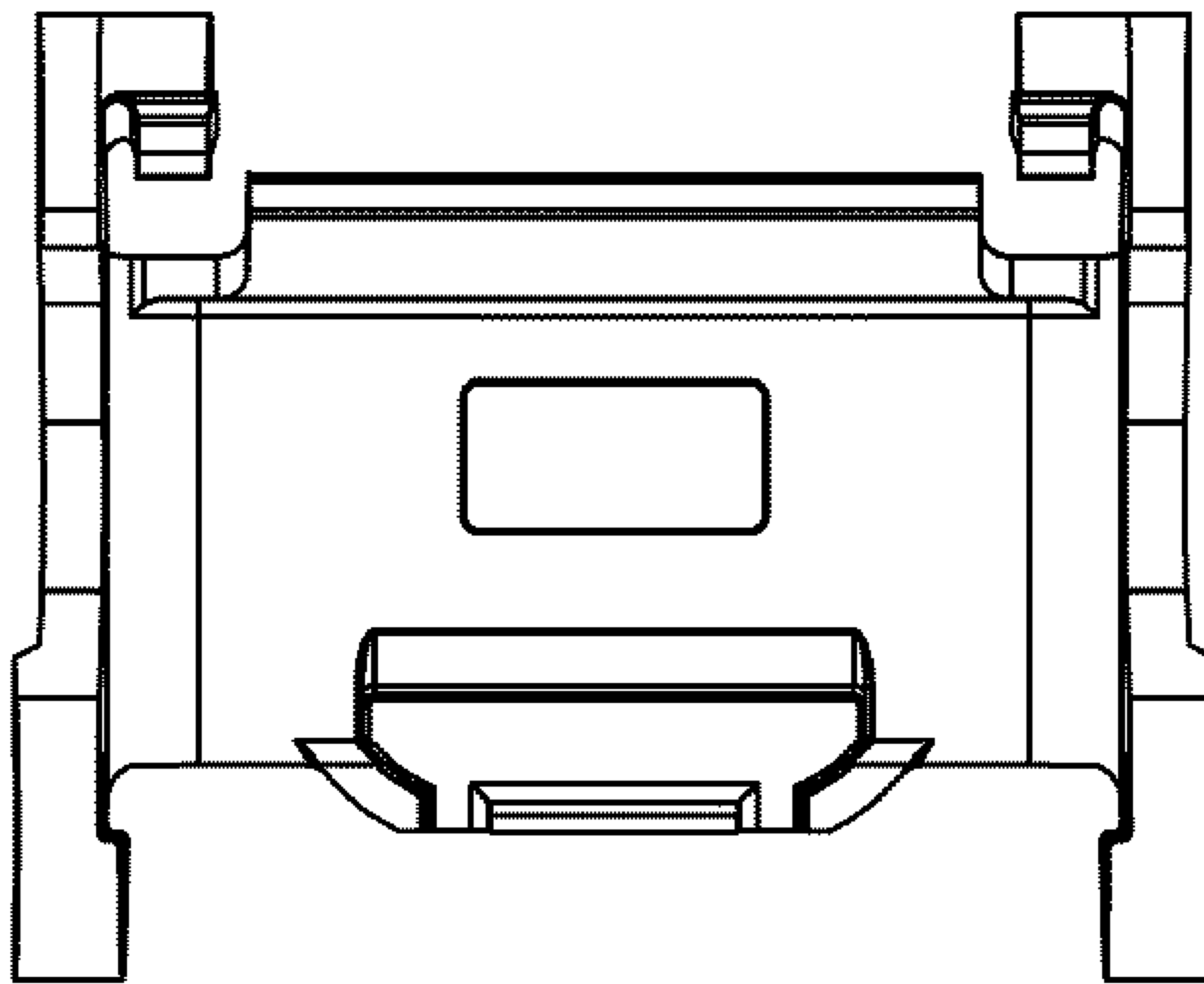


FIG. 6

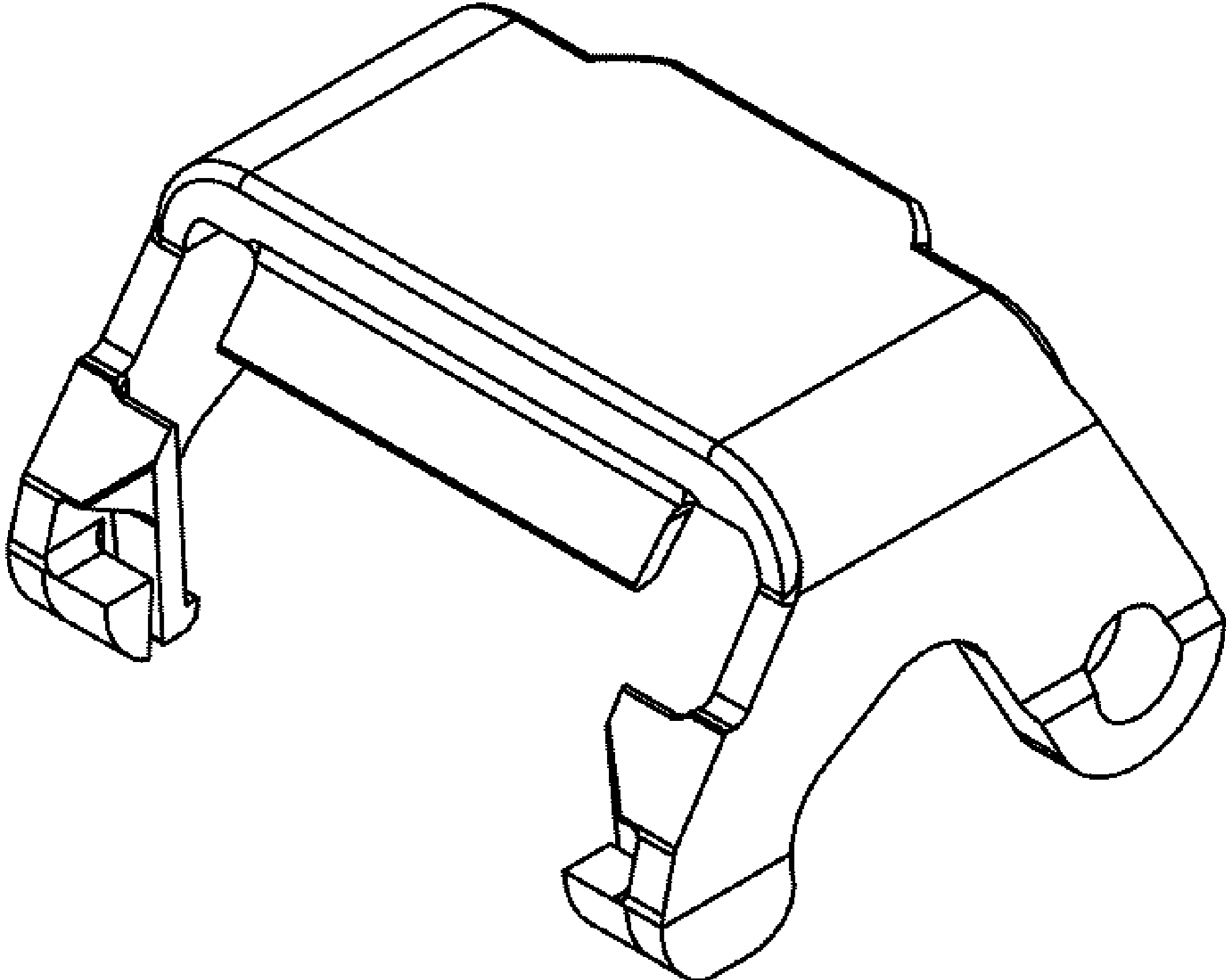


FIG. 7

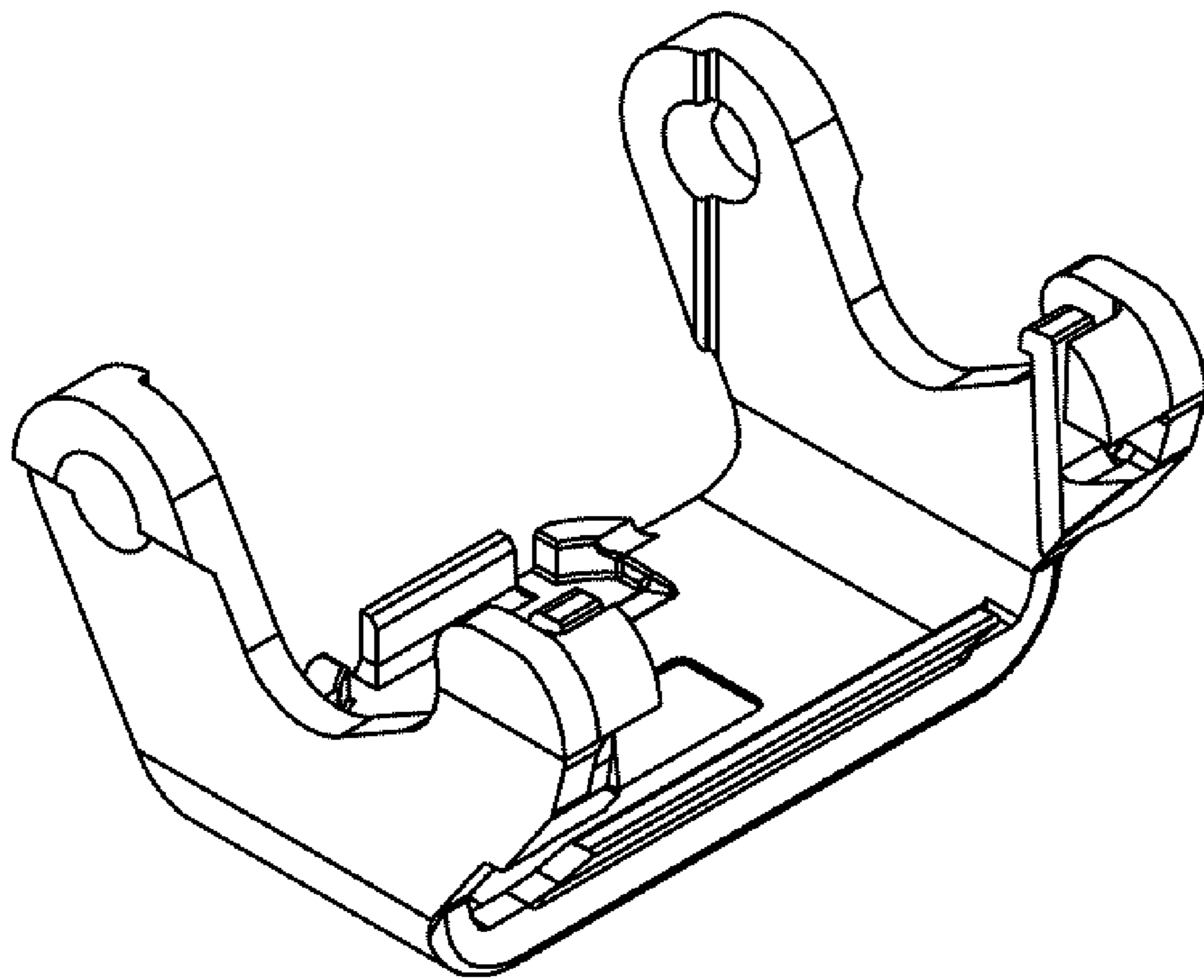


FIG. 8