



US00D641323S

(12) **United States Design Patent**  
**Kondo et al.**

(10) **Patent No.:** **US D641,323 S**  
(45) **Date of Patent:** **\*\* Jul. 12, 2011**

(54) **ELECTRICAL CONNECTOR**

(75) Inventors: **Hayato Kondo**, Yao (JP); **Toshiharu Miyoshi**, Yao (JP)

(73) Assignee: **Hosiden Corporation**, Yao-shi (JP)

(\*\*) Term: **14 Years**

(21) Appl. No.: **29/379,383**

(22) Filed: **Nov. 18, 2010**

(30) **Foreign Application Priority Data**

May 21, 2010 (JP) ..... 2010-012531  
May 21, 2010 (JP) ..... 2010-012532

(51) **LOC (9) Cl.** ..... **13-03**

(52) **U.S. Cl.** ..... **D13/147**

(58) **Field of Classification Search** ..... D13/133,  
D13/146-147, 153, 154, 156, 184; 439/133,  
439/180, 246, 278, 352, 357-358, 374, 476.1,  
439/527, 529, 533, 892, 894

See application file for complete search history.

(56) **References Cited**

U.S. PATENT DOCUMENTS

D470,819 S \* 2/2003 Sass et al. .... D13/133  
D553,567 S \* 10/2007 Kawanobe ..... D13/133  
D588,543 S \* 3/2009 Kondo ..... D13/147  
D599,298 S \* 9/2009 Kondo ..... D13/147  
D601,502 S \* 10/2009 Miyatake et al. .... D13/133

\* cited by examiner

*Primary Examiner* — Daniel Bui

(74) *Attorney, Agent, or Firm* — Rankin, Hill & Clark LLP

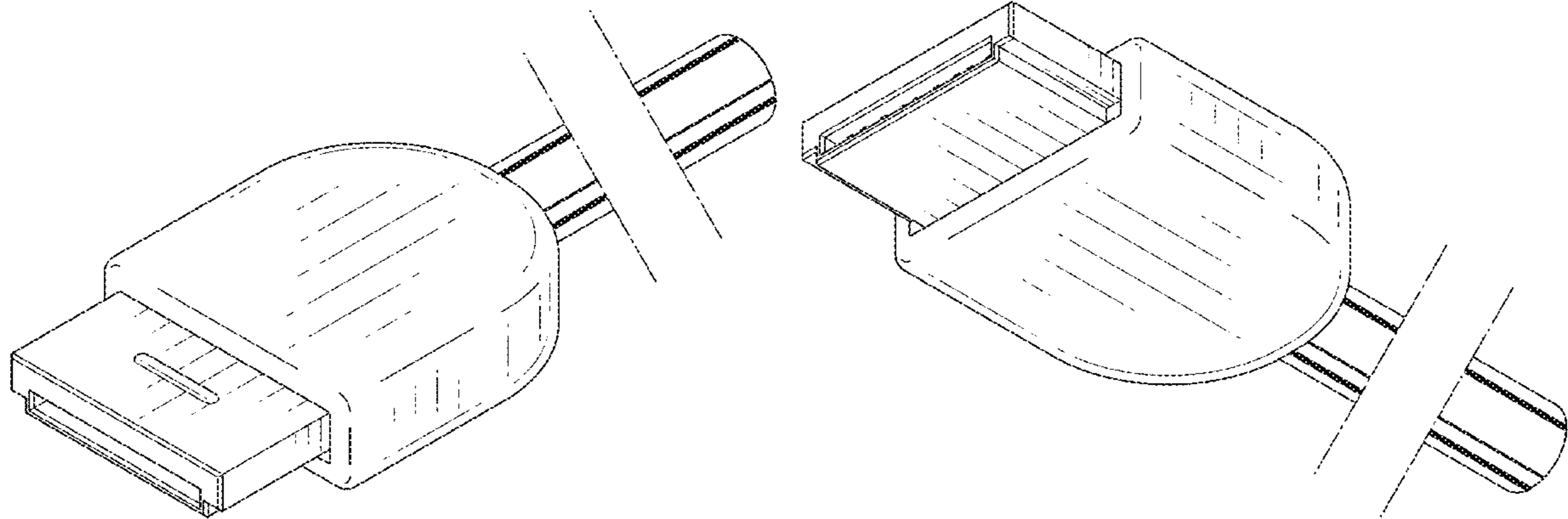
(57) **CLAIM**

The ornamental design for an electrical connector, as shown and described.

**DESCRIPTION**

FIG. 1 is a front, left side and bottom perspective view of an electrical connector in accordance with our new design; FIG. 2 is a rear, left side and bottom perspective view thereof; FIG. 3 is a front elevation view thereof; FIG. 4 is a rear elevation view thereof; FIG. 5 is a left side view thereof; FIG. 6 is a right side view thereof; FIG. 7 is a top plan view thereof, a bottom plan view being a mirror image thereof; and, FIG. 8 is a sectional view taken along a line 8-8 in FIG. 3 of the electrical connector in accordance with our new design.

**1 Claim, 6 Drawing Sheets**



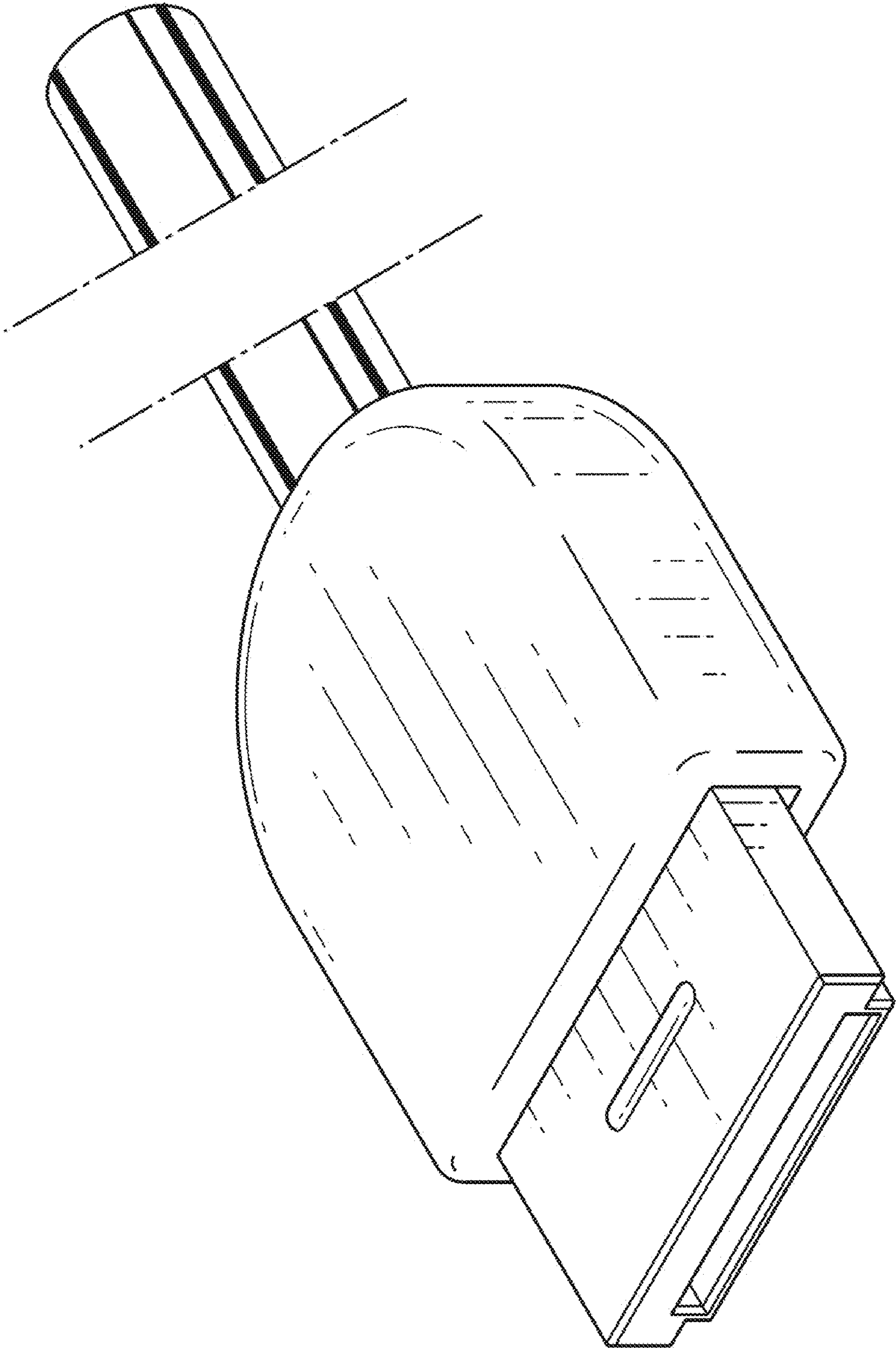


Fig. 1

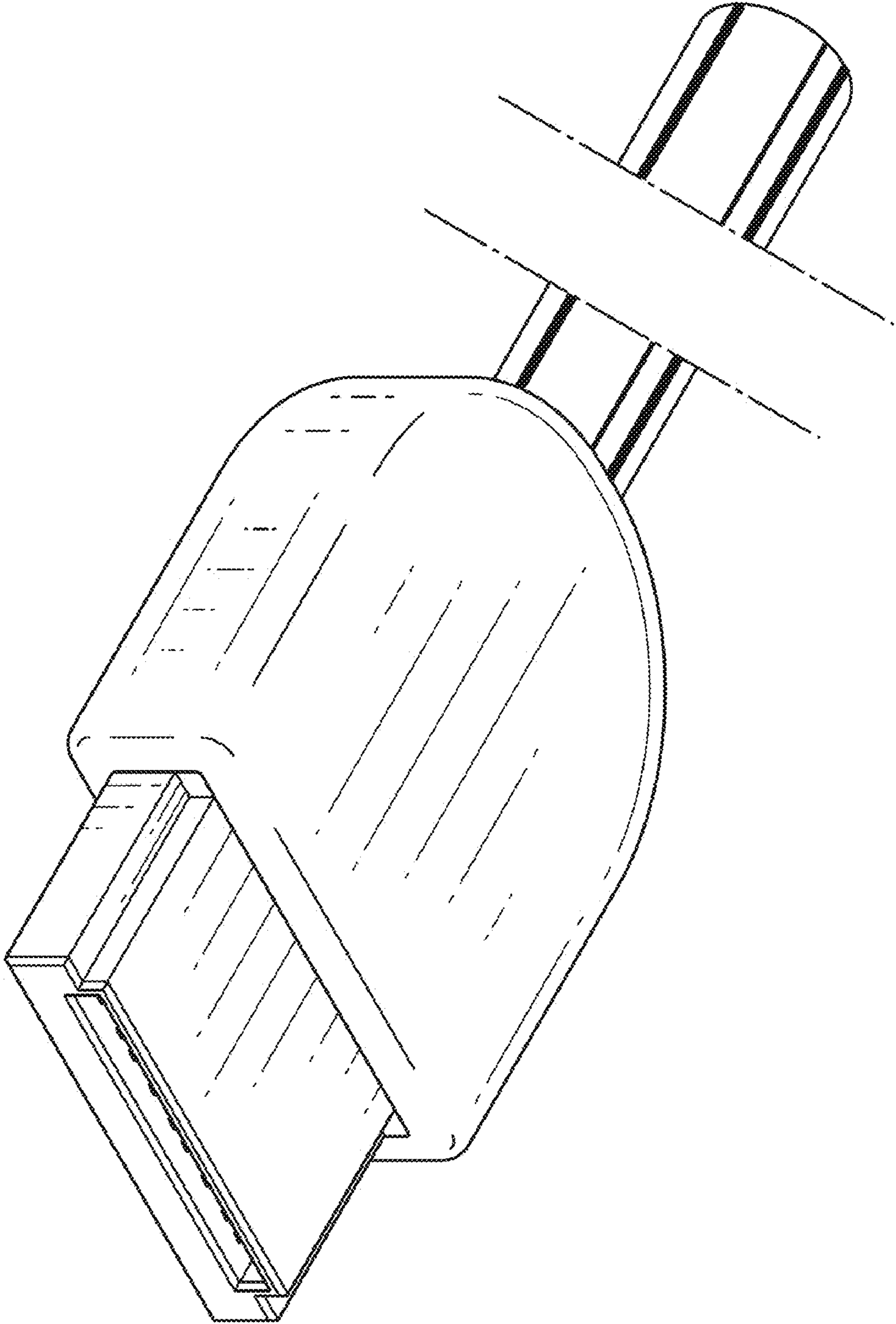


Fig. 2

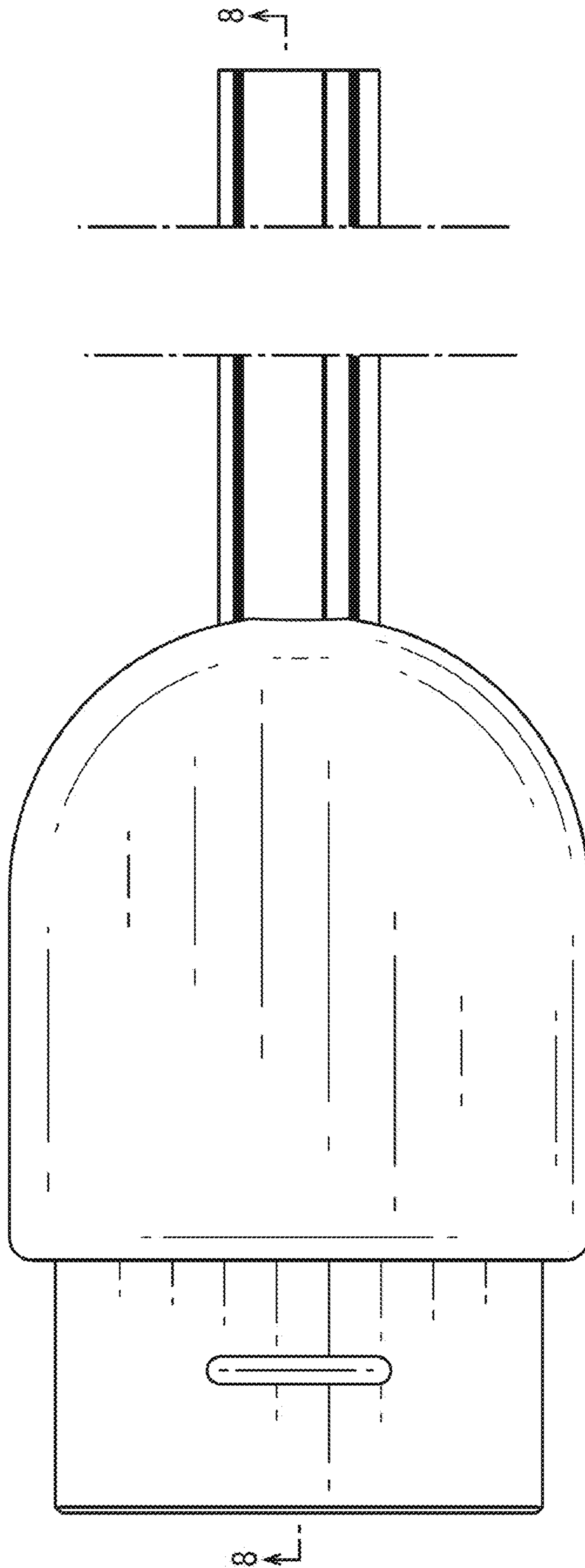


Fig. 3

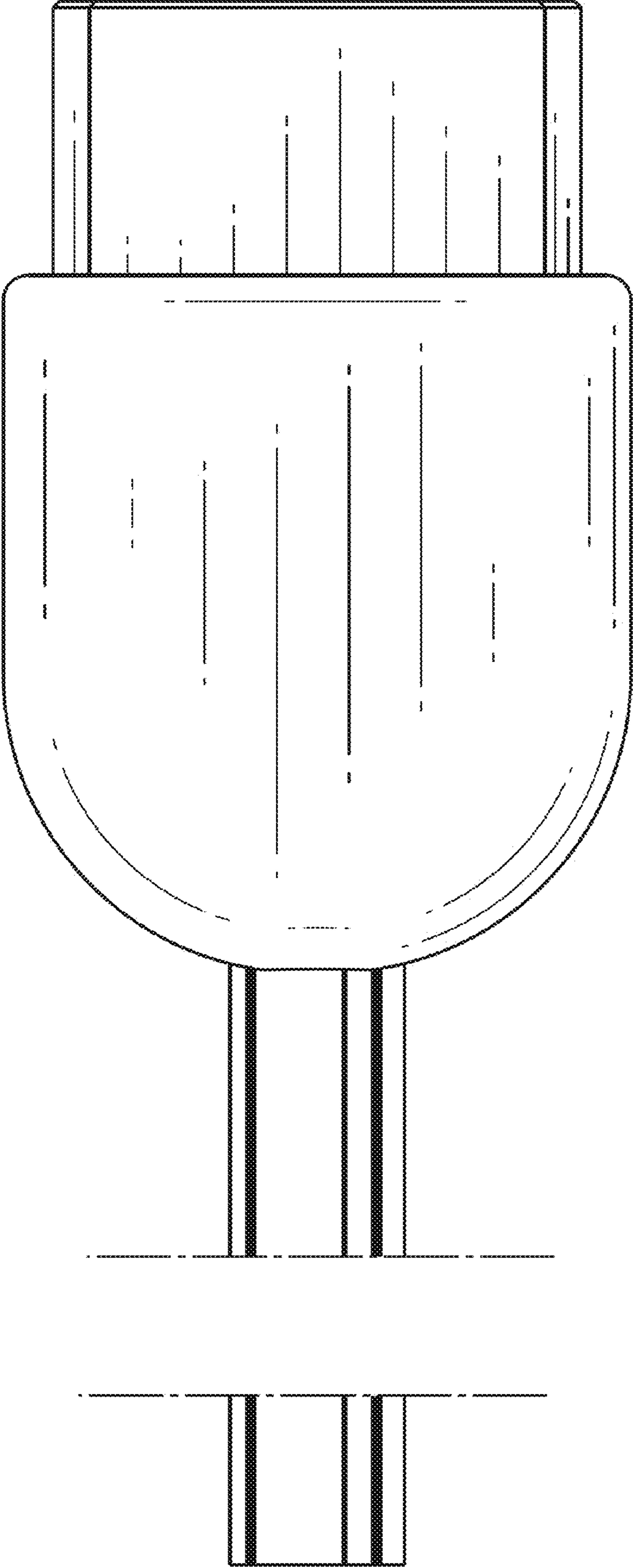


Fig. 4

Fig. 6

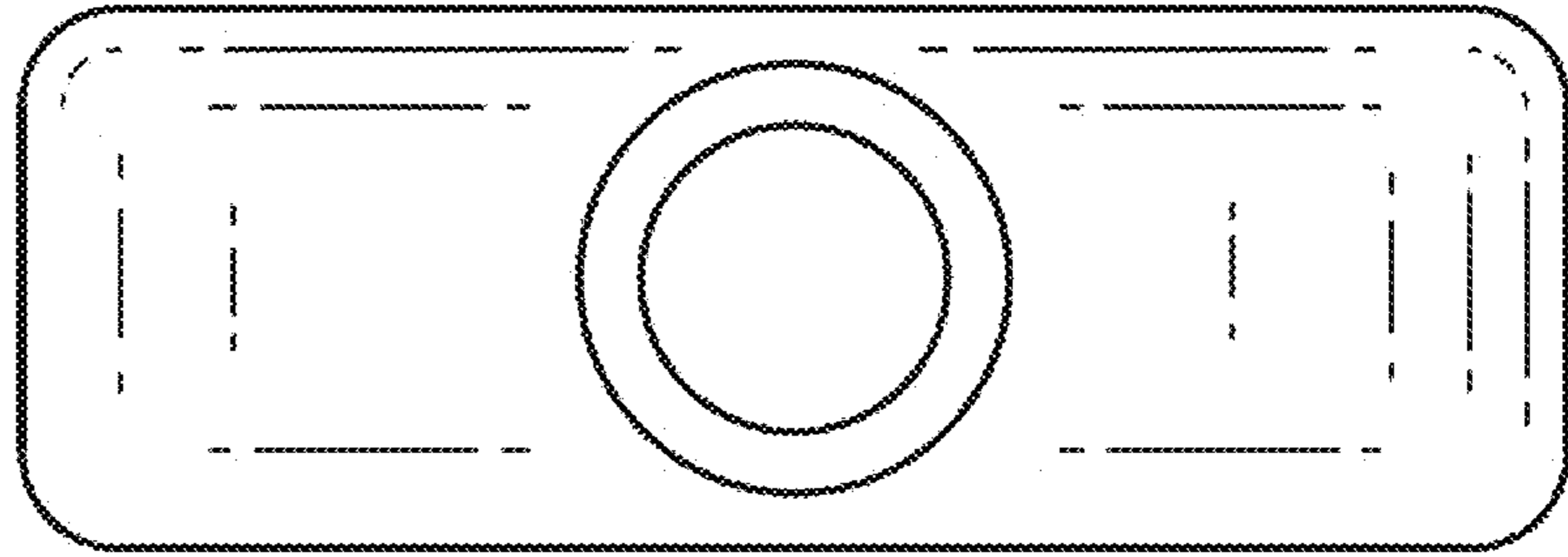
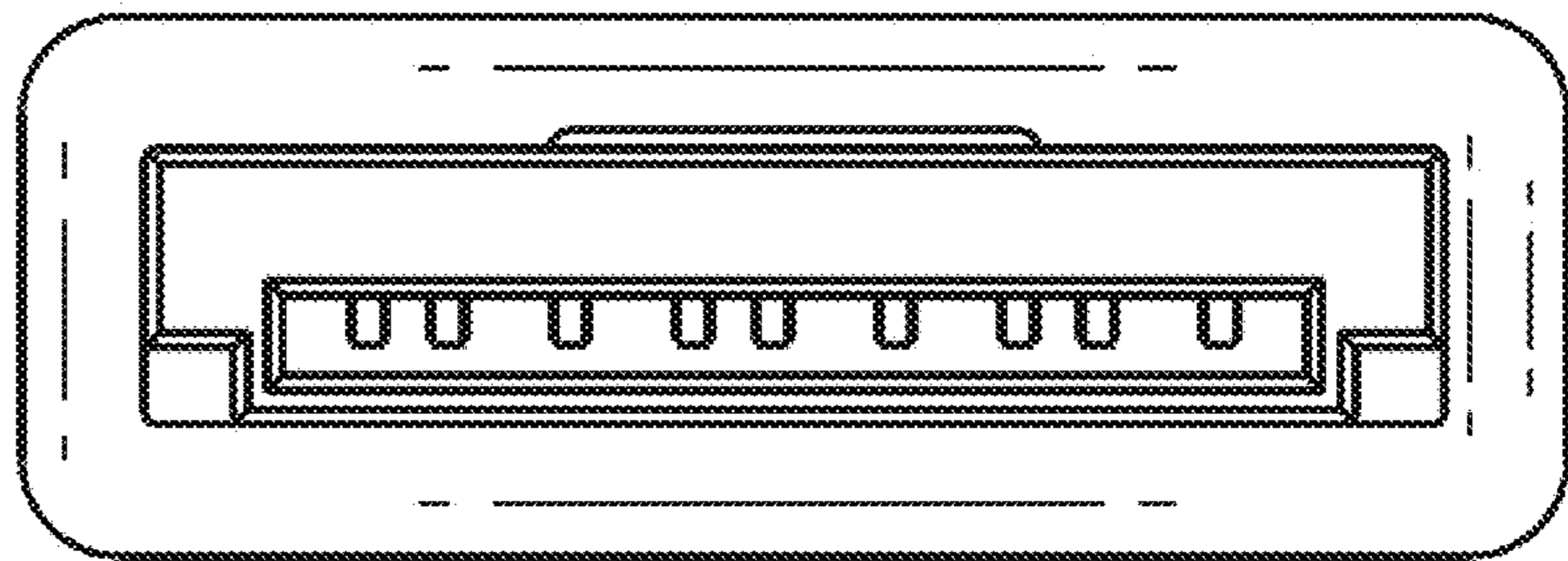


Fig. 5



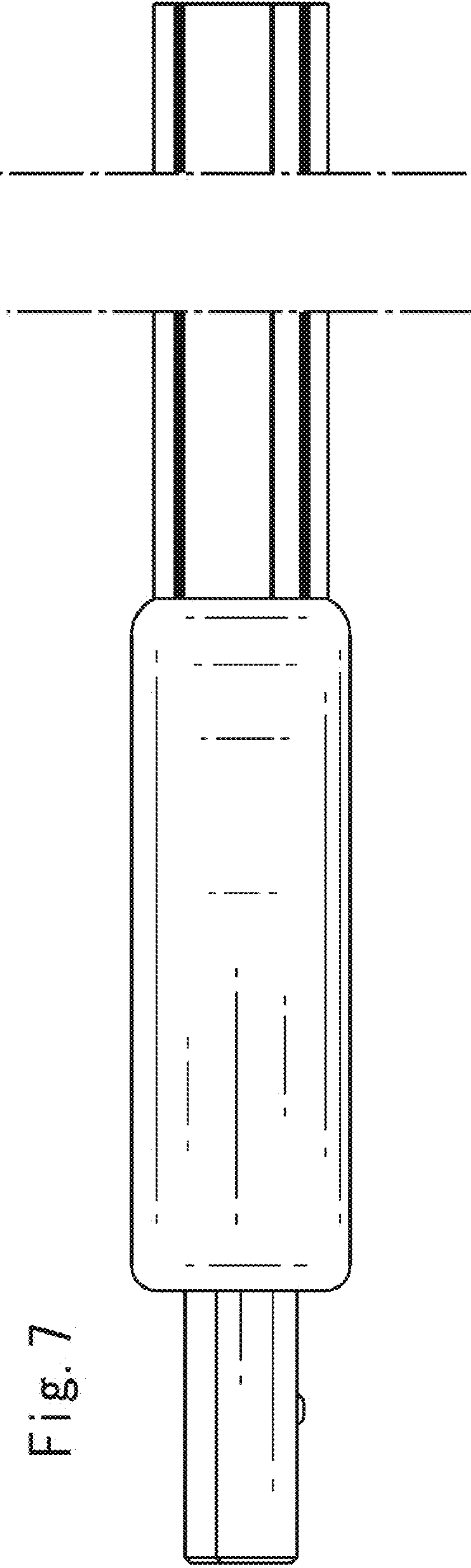


Fig. 7

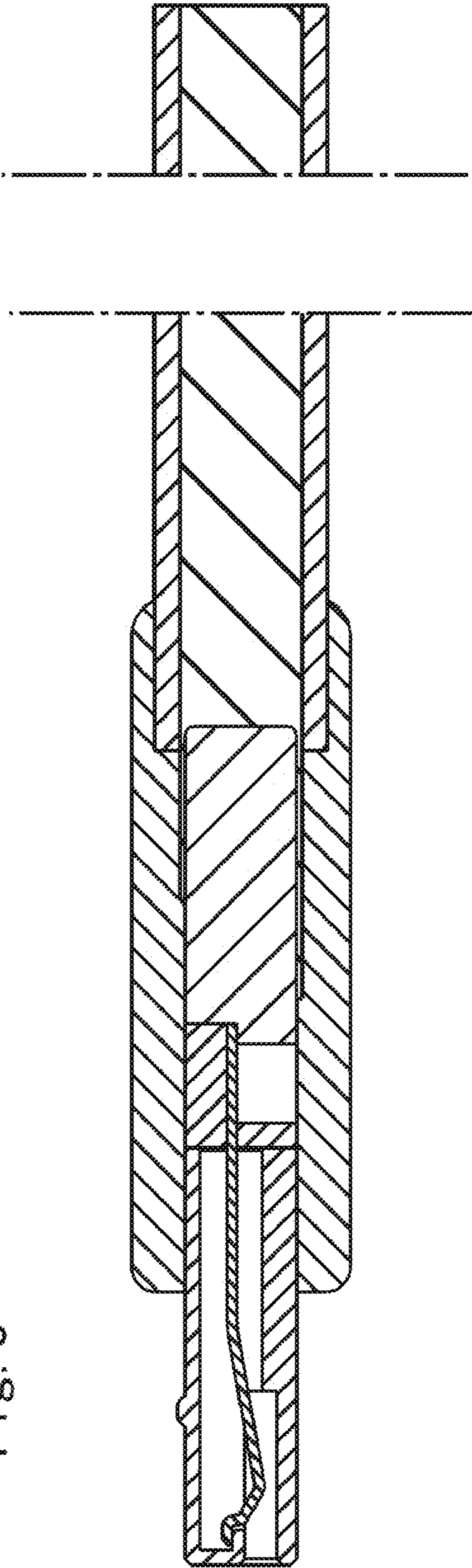


Fig. 8