



US00D641320S

(12) **United States Design Patent**  
**Huang**

(10) **Patent No.:** **US D641,320 S**

(45) **Date of Patent:** **\*\* Jul. 12, 2011**

(54) **AUDIO JACK CONNECTOR**

(75) Inventor: **Sheng-Yuan Huang**, Taipei (TW)

(73) Assignee: **Cheng Uei Precision Industry Co., Ltd.**, Taipei (TW)

(\*\*) Term: **14 Years**

(21) Appl. No.: **29/353,879**

(22) Filed: **Jan. 15, 2010**

(51) **LOC (9) Cl.** ..... **13-03**

(52) **U.S. Cl.** ..... **D13/133**

(58) **Field of Classification Search** ..... D13/133,  
D13/147, 154, 184; 439/180, 252, 246, 278,  
439/374, 378, 380, 527, 533, 607.01, 607.04,  
439/607.05, 607.17, 607.25, 607.34, 607.41,  
439/668, 892, 894

See application file for complete search history.

(56) **References Cited**

**U.S. PATENT DOCUMENTS**

D555,098 S \* 11/2007 Wu et al. .... D13/133  
D558,674 S \* 1/2008 Lin et al. .... D13/133  
D578,487 S \* 10/2008 Han et al. .... D13/154

D632,252 S \* 2/2011 Guo et al. .... D13/147  
2011/0081022 A1 \* 4/2011 Tamm et al. .... 381/1  
\* cited by examiner

*Primary Examiner* — Daniel Bui

(74) *Attorney, Agent, or Firm* — WPAT, P.C.; Anthony King

(57) **CLAIM**

The ornamental design for an audio jack connector, as shown and described.

**DESCRIPTION**

FIG. 1 is a perspective view of an audio jack connector showing my new design;

FIG. 2 is a front elevational view thereof;

FIG. 3 is a rear elevational view thereof;

FIG. 4 is a left side elevational view thereof;

FIG. 5 is a right side elevational view thereof;

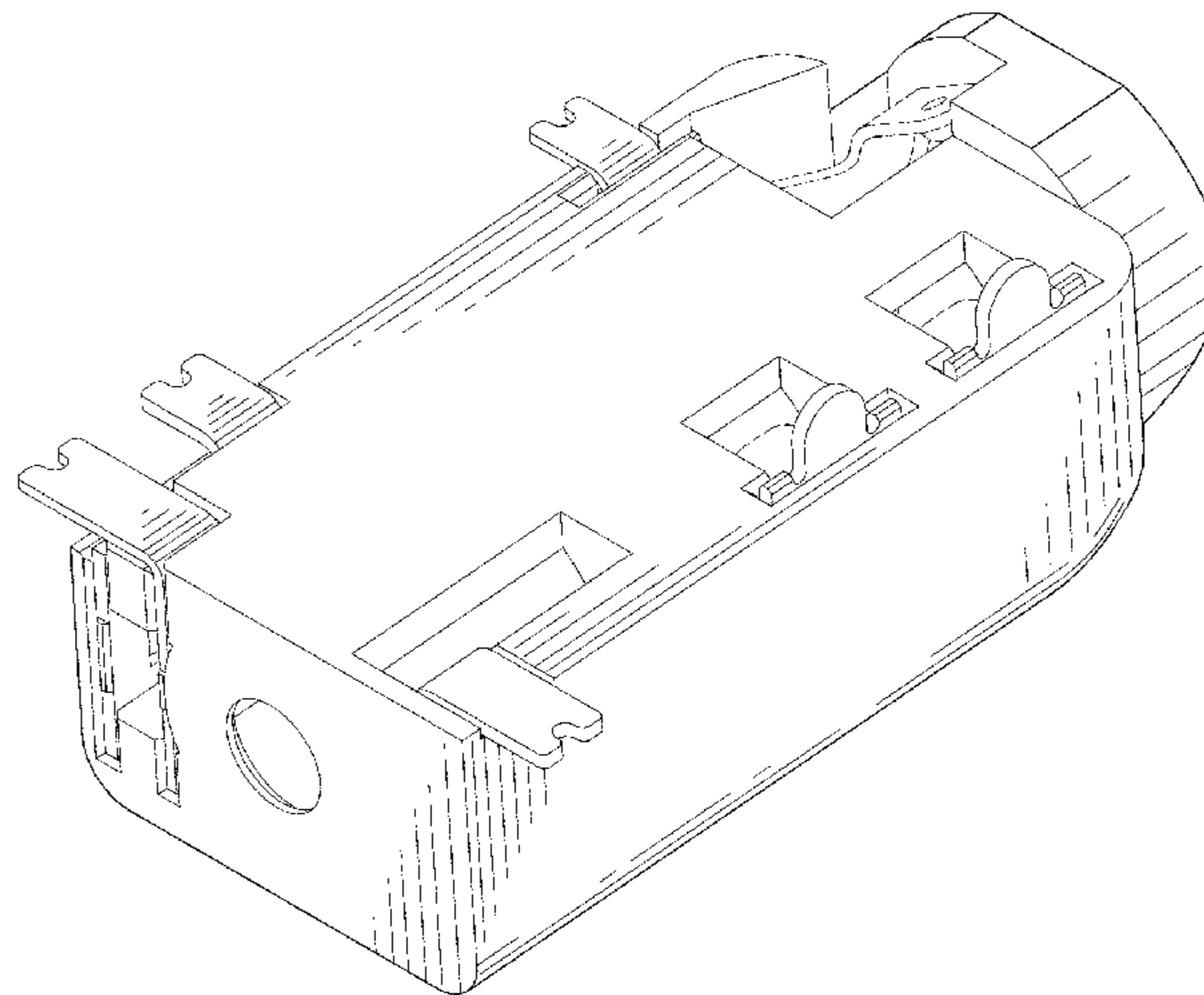
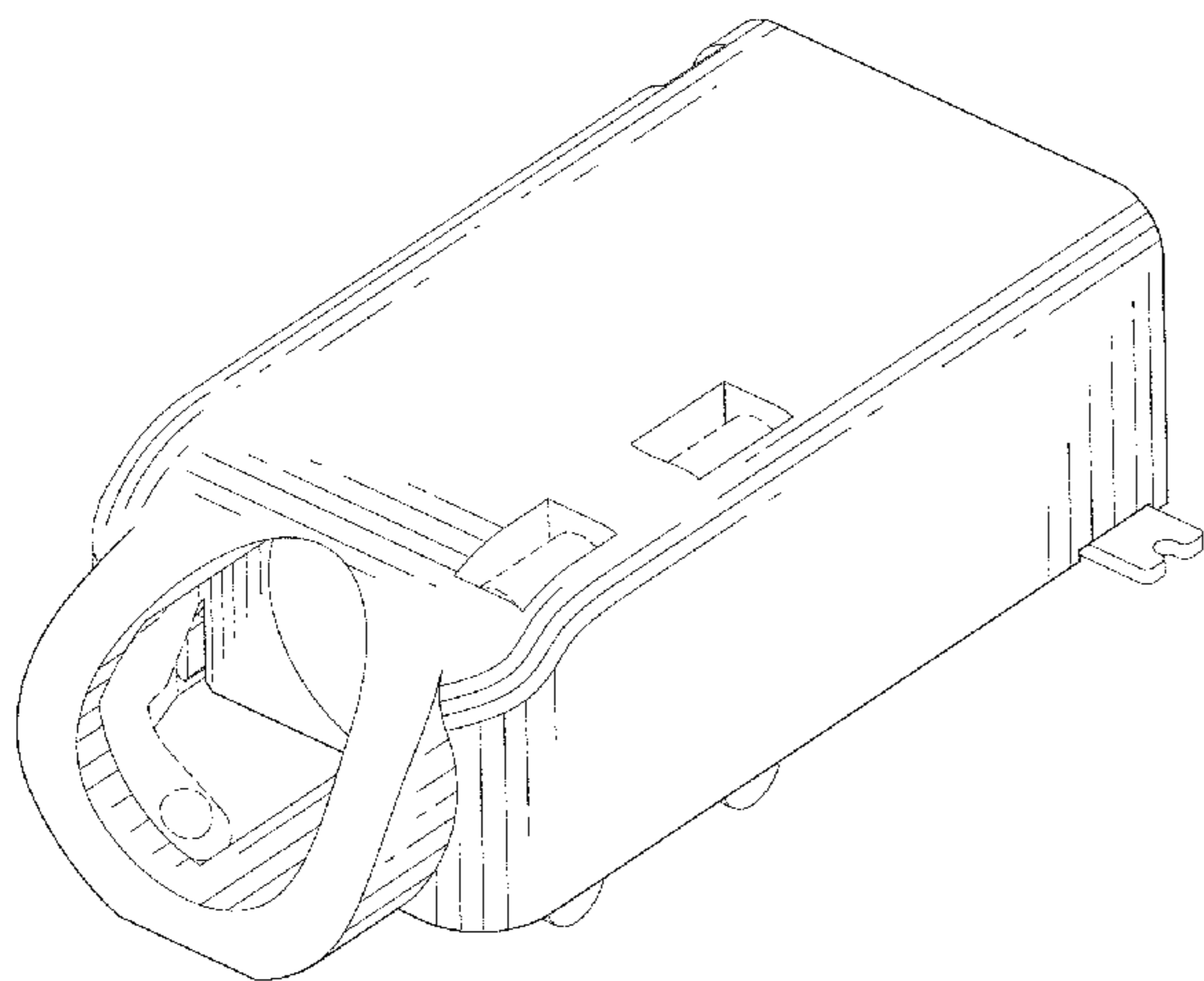
FIG. 6 is a top plan view thereof;

FIG. 7 is a bottom plan view thereof; and,

FIG. 8 is another perspective view of an audio jack connector showing my new design.

The broken line portion of the figure drawings is included for the purpose of illustrating environment and forms no part of the claimed design.

**1 Claim, 8 Drawing Sheets**



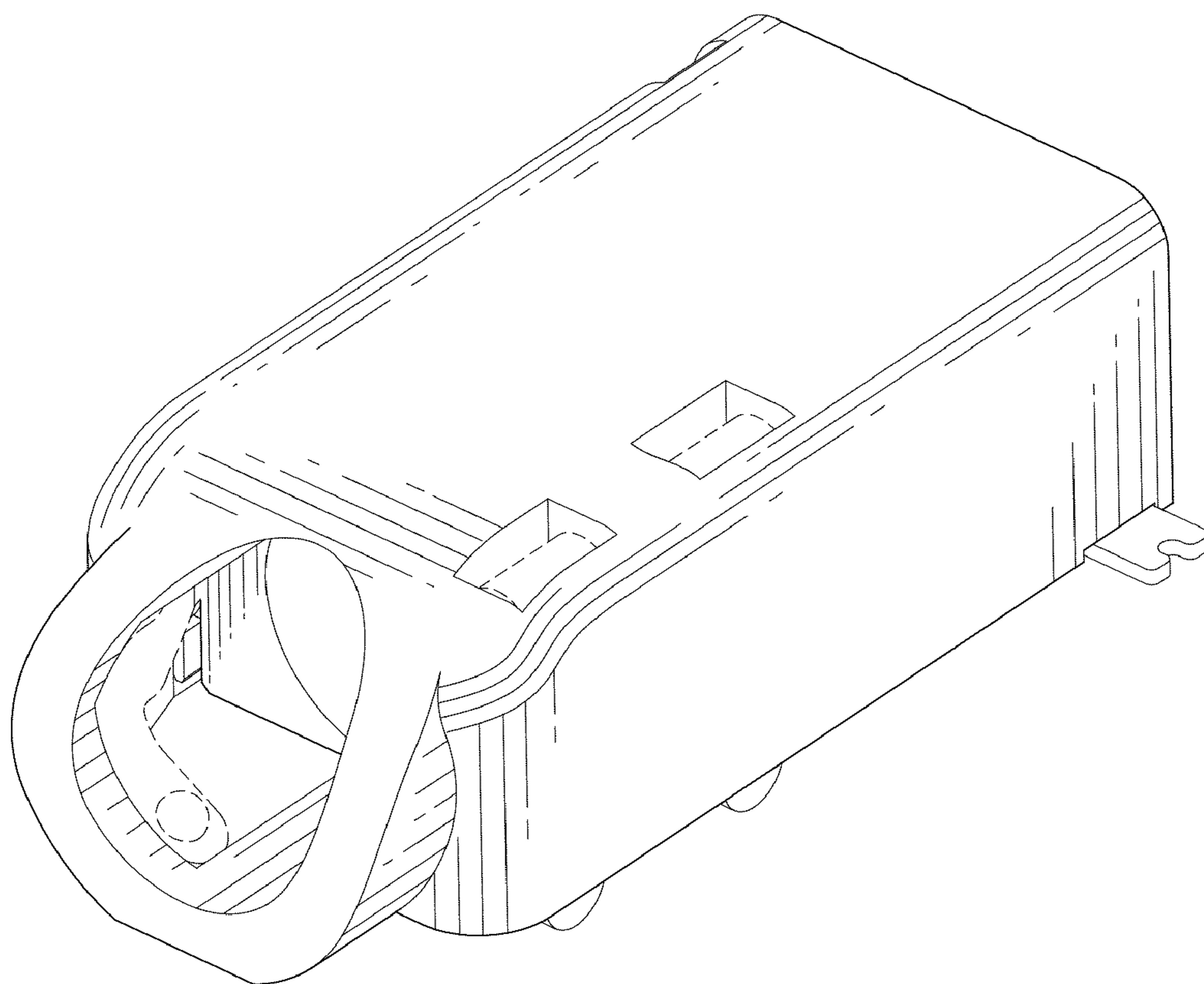


FIG. 1

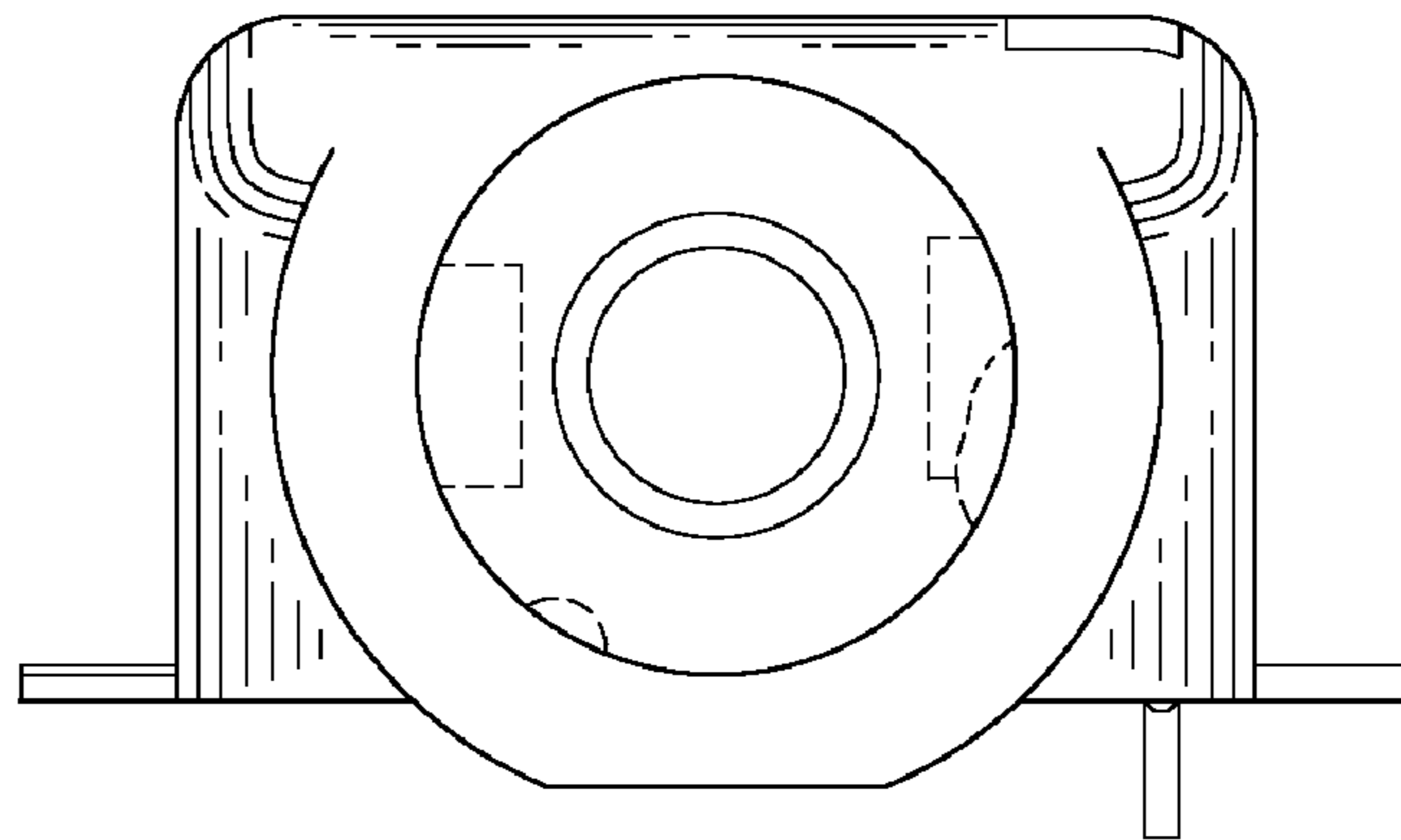


FIG. 2

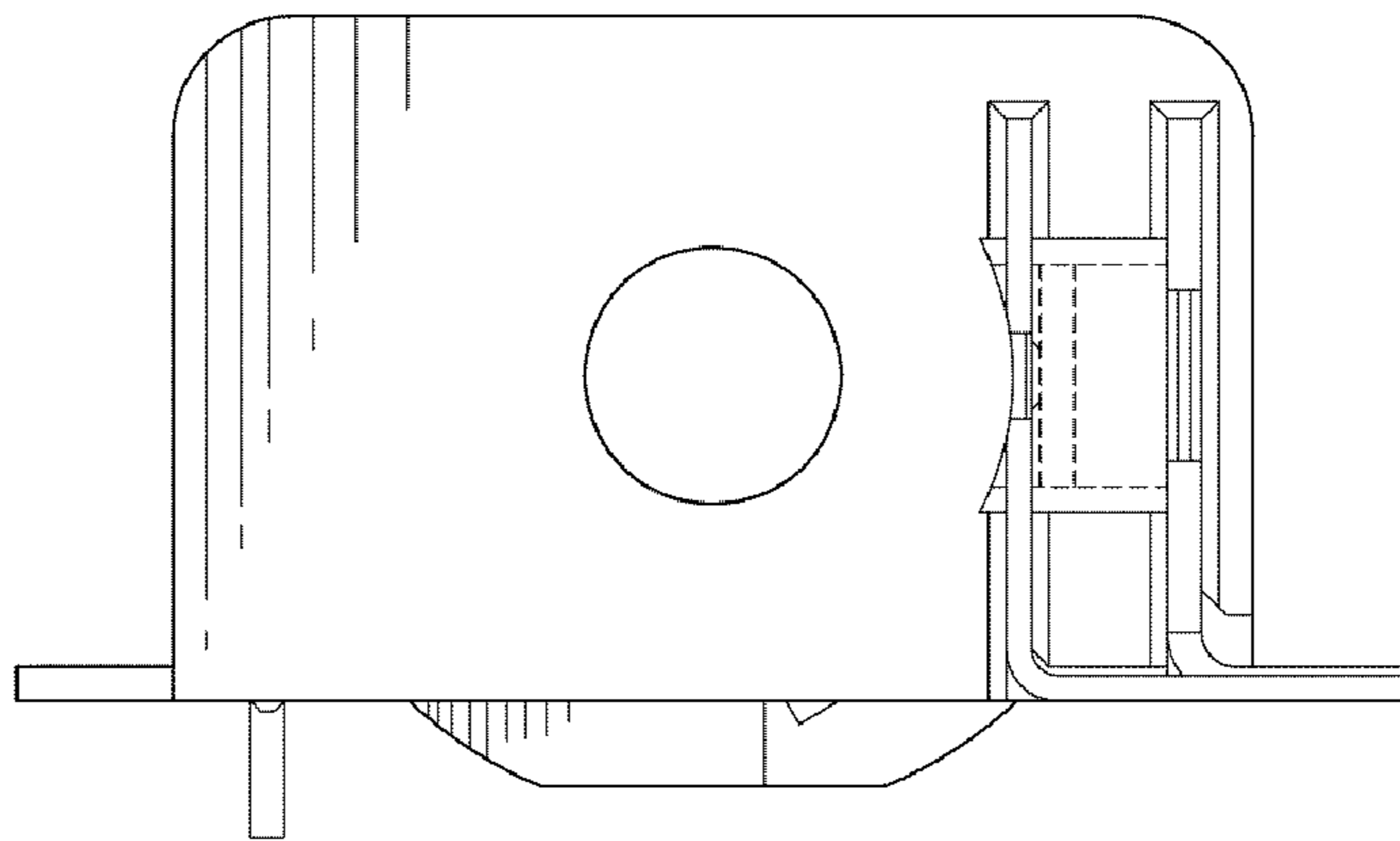


FIG. 3

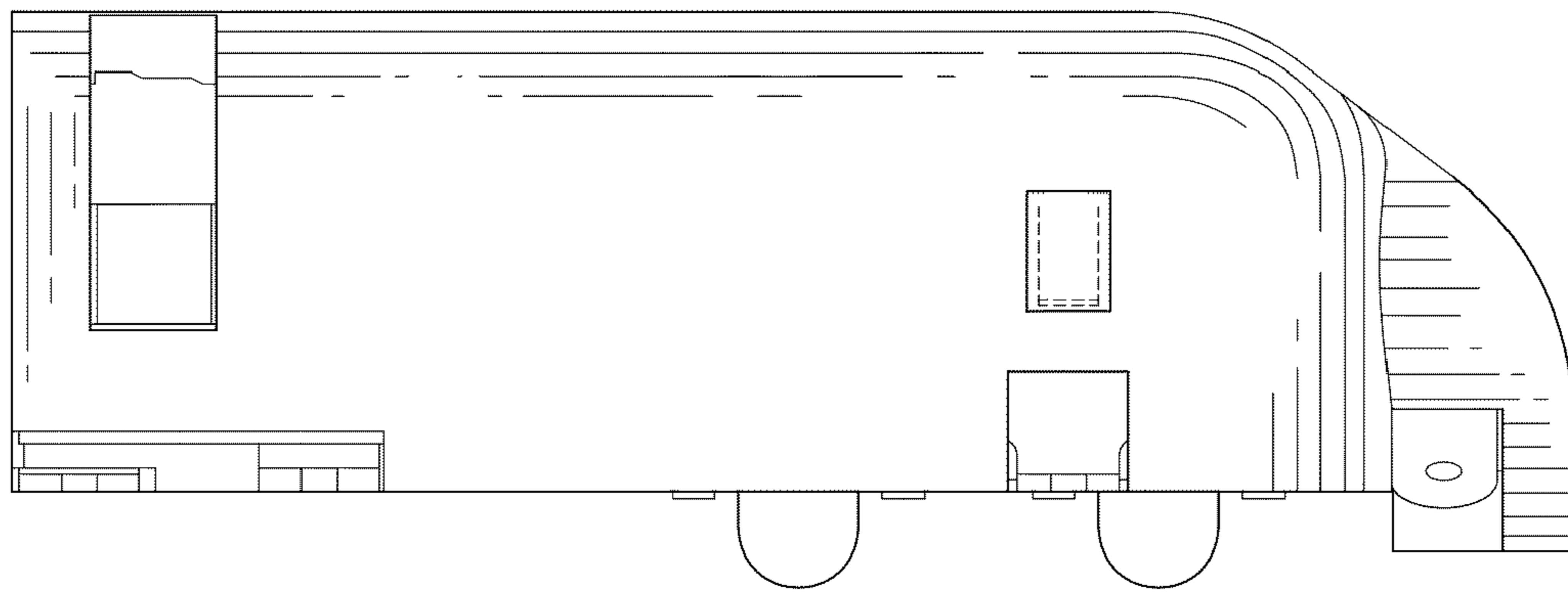


FIG. 4

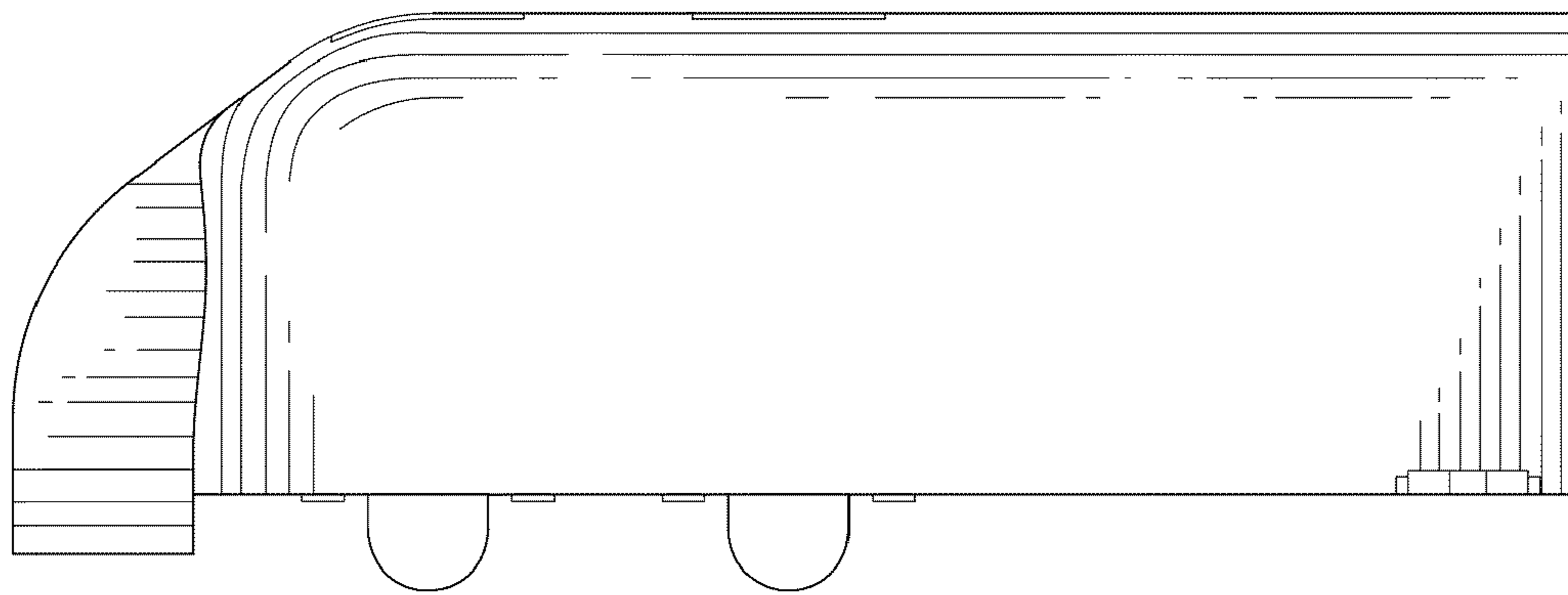


FIG. 5

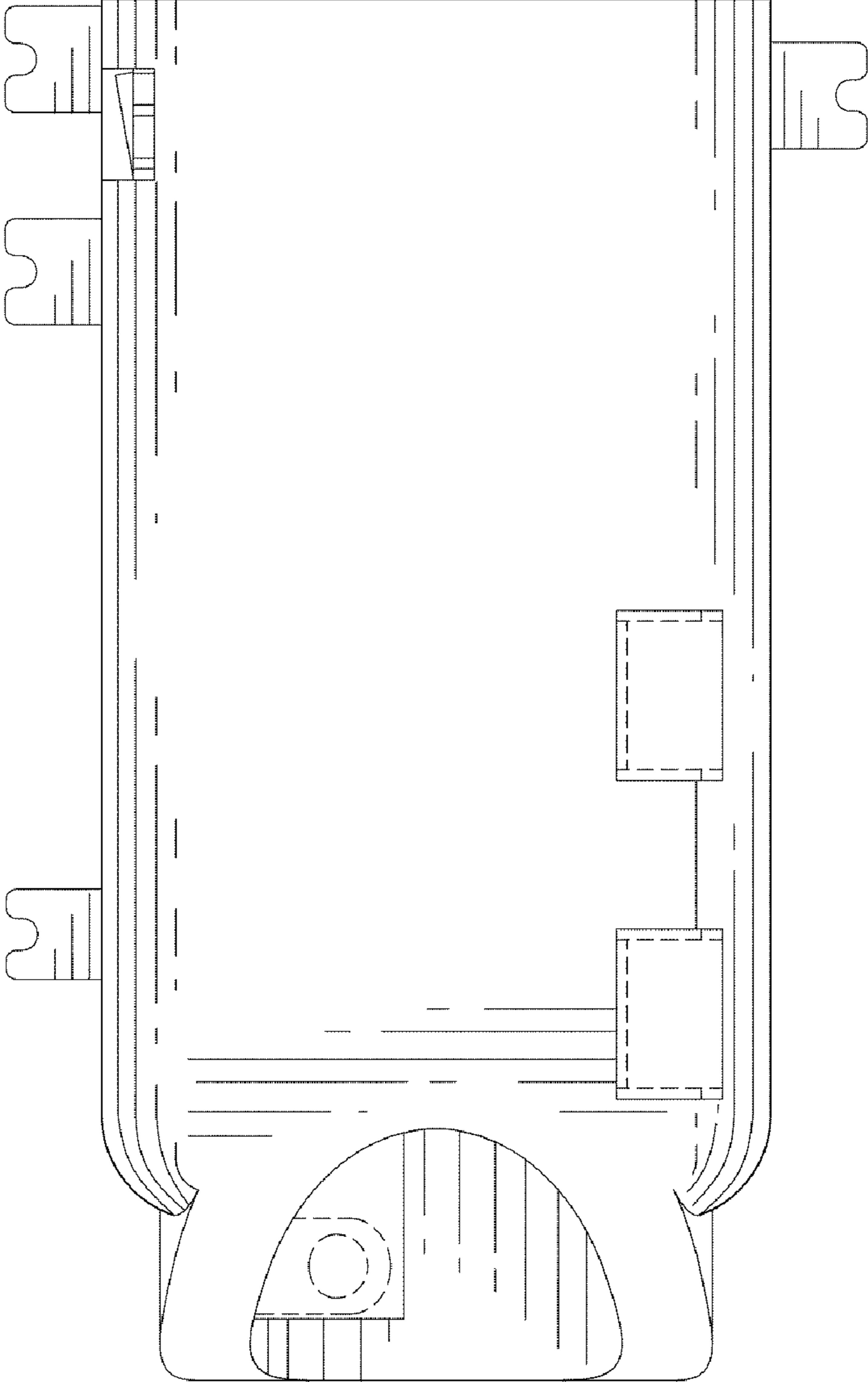


FIG. 6

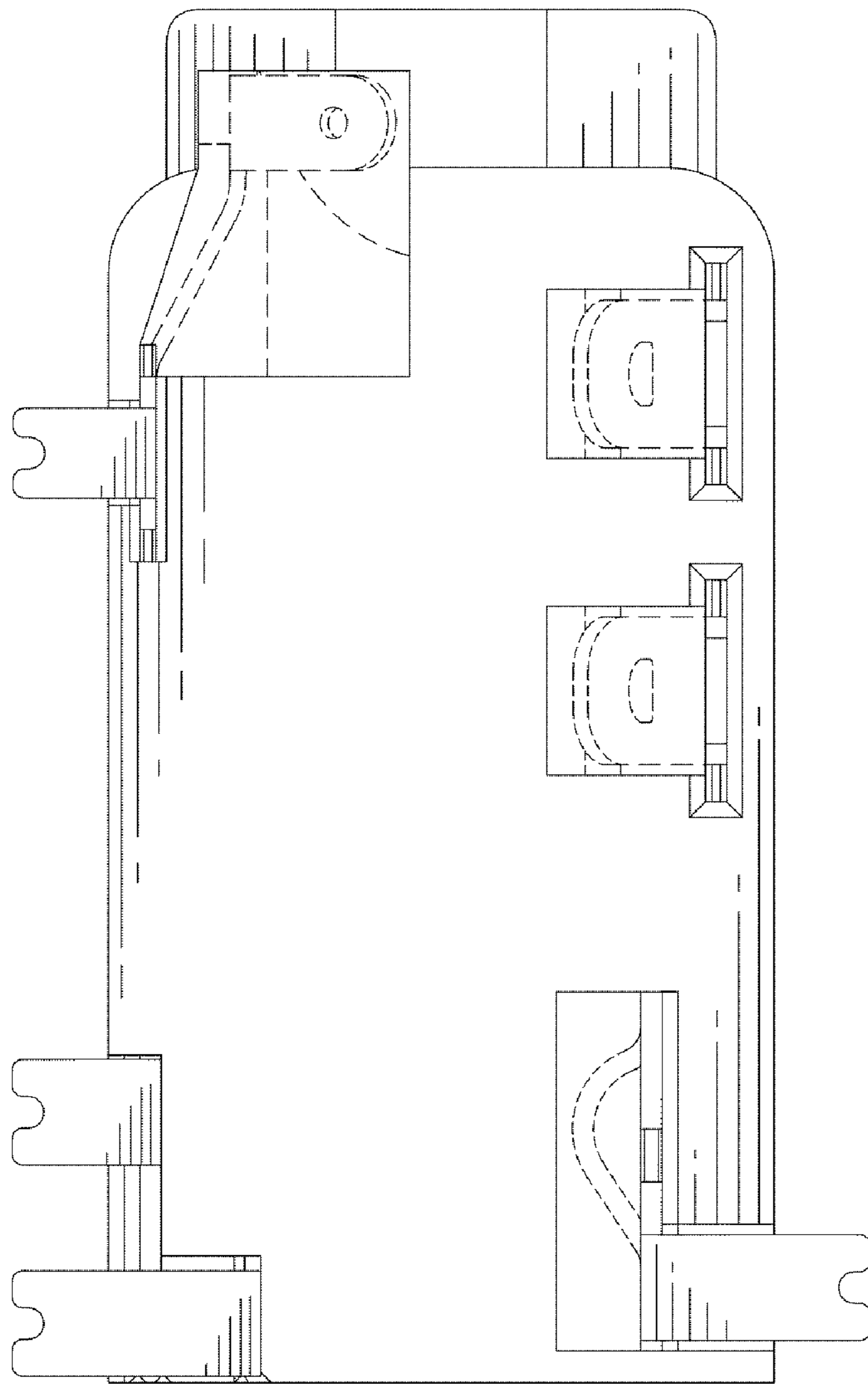


FIG. 7



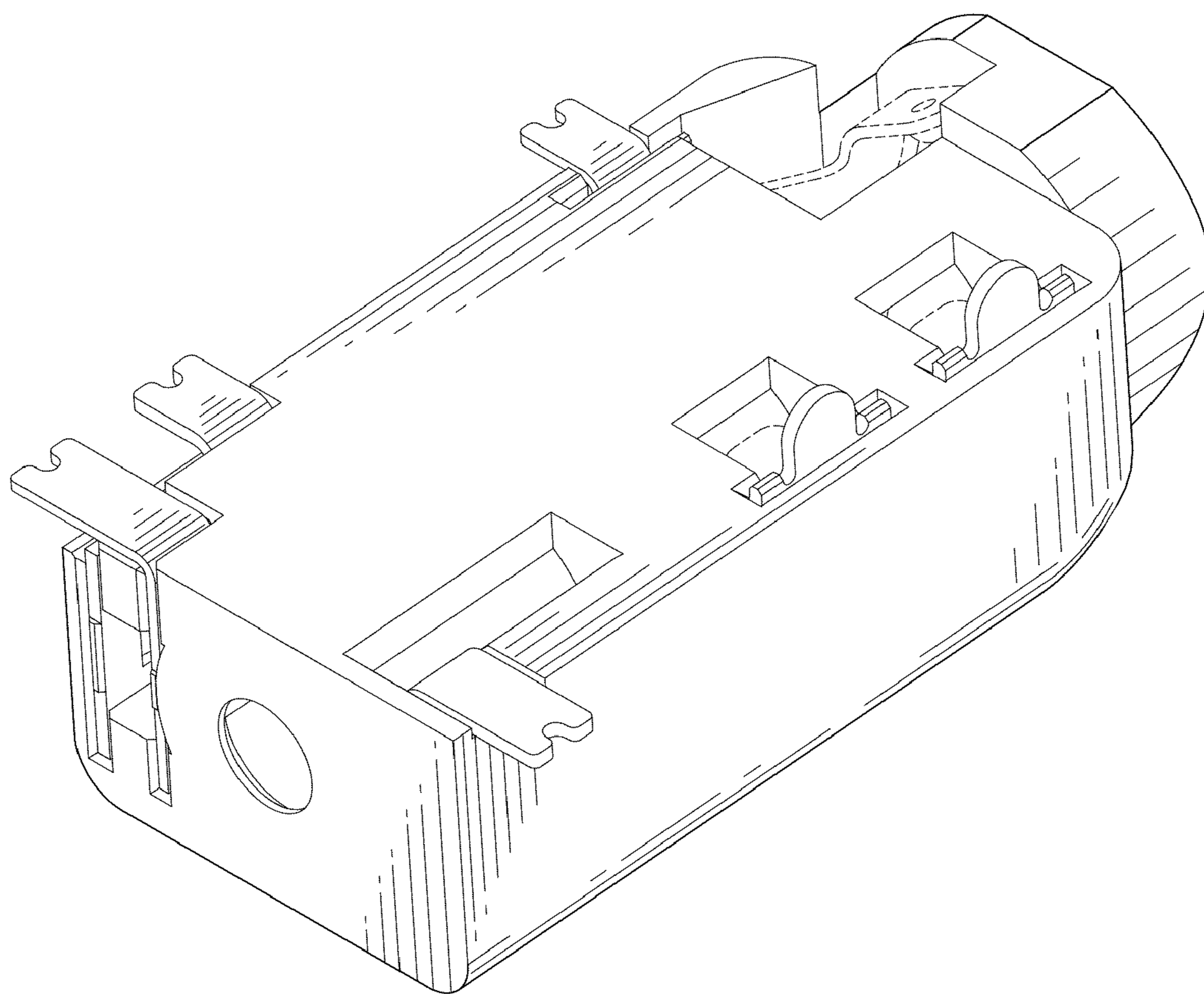


FIG. 8