



US00D641315S

(12) **United States Design Patent**  
**Rock**

(10) **Patent No.:** **US D641,315 S**  
(45) **Date of Patent:** **\*\* Jul. 12, 2011**

(54) **SOLAR THERMAL COLLECTOR**  
(76) Inventor: **Michael Charles Rock**, Woodruff, SC  
(US)  
(\*\*) Term: **14 Years**  
(21) Appl. No.: **29/380,858**  
(22) Filed: **Dec. 13, 2010**  
(51) **LOC (9) Cl.** ..... **13-02**  
(52) **U.S. Cl.** ..... **D13/102**  
(58) **Field of Classification Search** ..... D13/102,  
D13/101, 184, 199; 52/173.3; 126/569-578,  
126/580, 609-612, 634, 640, 643, 652, 658,  
126/680, 682, 683, 685, 689, 699; 136/206,  
136/244-251, 256, 291, 292  
See application file for complete search history.

4,911,144 A 3/1990 Godett et al.  
D420,973 S \* 2/2000 Kalarney ..... D13/102  
D425,013 S \* 5/2000 Lai ..... D13/102  
D562,224 S \* 2/2008 Bonnaud ..... D13/102  
D563,866 S \* 3/2008 Bonnaud ..... D13/102

\* cited by examiner

*Primary Examiner* — Stella Reid

*Assistant Examiner* — Derrick Holland

(74) *Attorney, Agent, or Firm* — Timothy J. Monahan;  
Monahan & Moses, LLC

(57) **CLAIM**

The ornamental design for a solar thermal collector, as shown and described.

**DESCRIPTION**

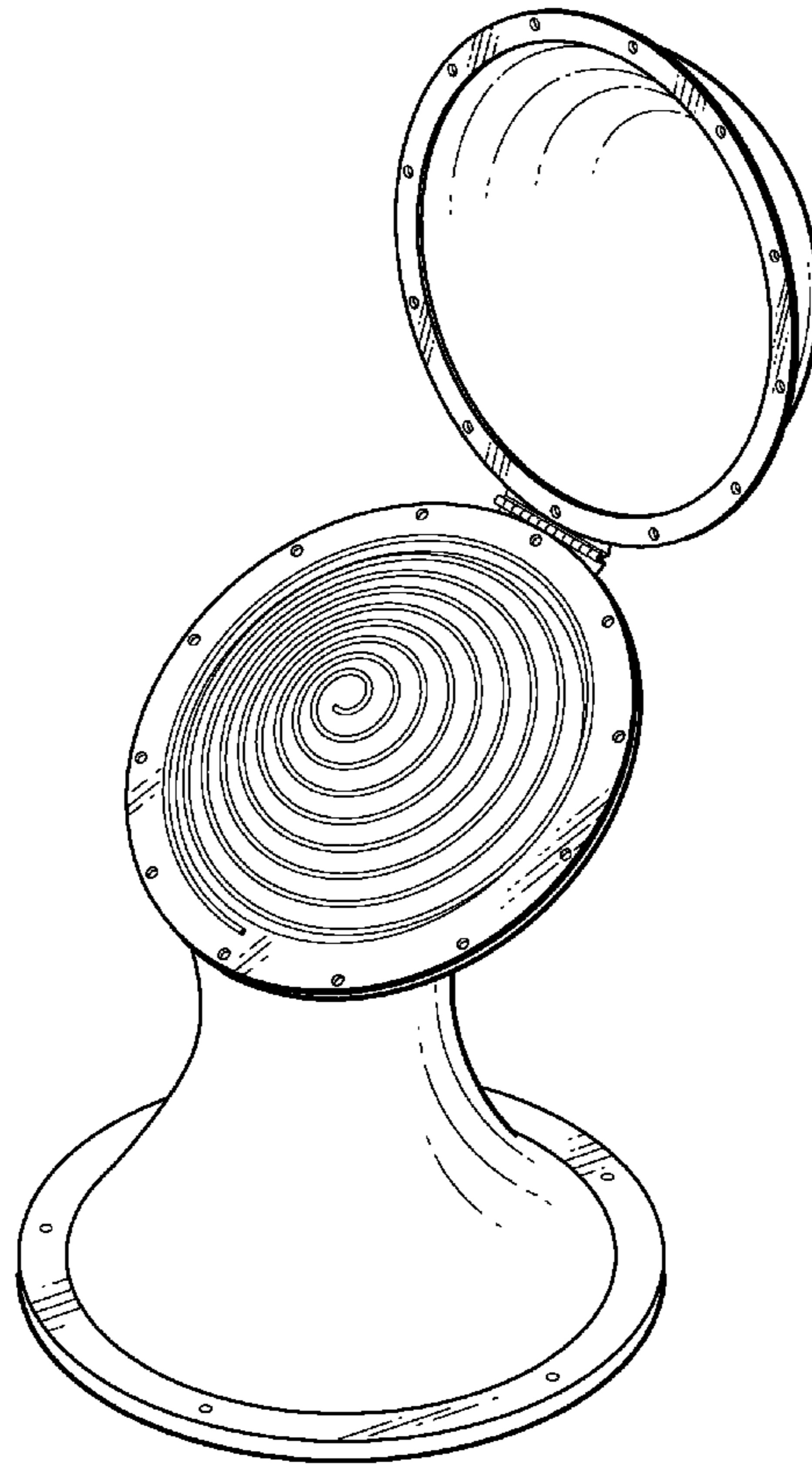
FIG. 1 is a front view of the solar thermal collector.  
FIG. 2 is a rear view of the solar thermal collector.  
FIG. 3 is a left side view of the solar thermal collector.  
FIG. 4 is a right side view of the solar thermal collector.  
FIG. 5 is a top view of the solar thermal collector.  
FIG. 6 is a bottom view of the solar thermal collector.  
FIG. 7 is a perspective view of the solar thermal collector with the cover in the raised position.  
FIG. 8 is a front view of the solar thermal collector with the cover in the raised position; and,  
FIG. 9 is a top view of the solar thermal collector with the cover in the raised position.

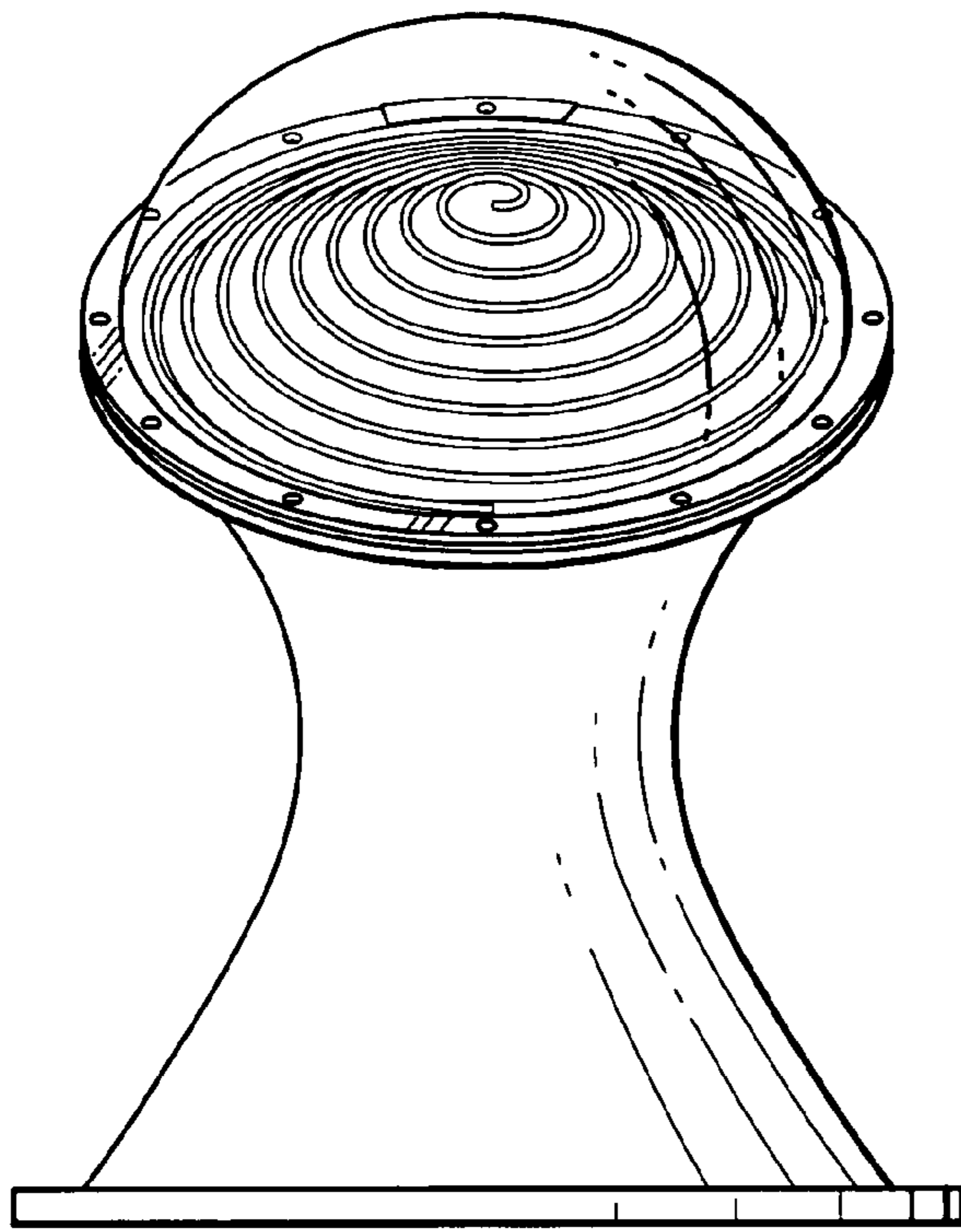
(56) **References Cited**

U.S. PATENT DOCUMENTS

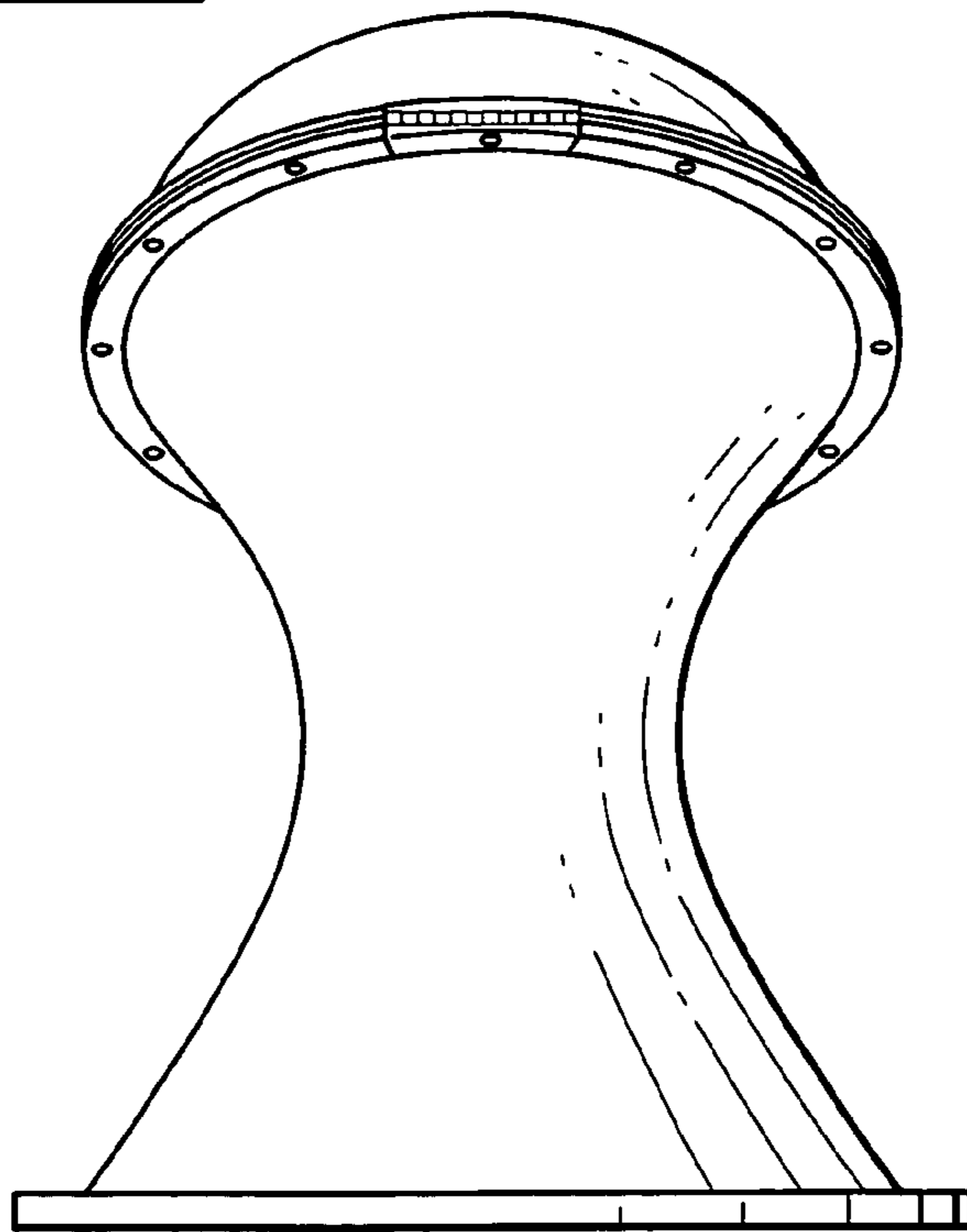
2,213,894 A 9/1940 Barry  
2,402,326 A 6/1946 Harkness  
3,254,644 A 6/1966 Thannhauser  
4,090,498 A 5/1978 Benson  
4,116,223 A \* 9/1978 Vasilantone ..... 126/643  
4,191,168 A 3/1980 Allen et al.  
4,212,290 A \* 7/1980 Warnken ..... 126/684  
D275,876 S \* 10/1984 Everett ..... D13/102  
4,513,731 A 4/1985 Campbell  
D288,593 S 3/1987 Campbell

**1 Claim, 7 Drawing Sheets**

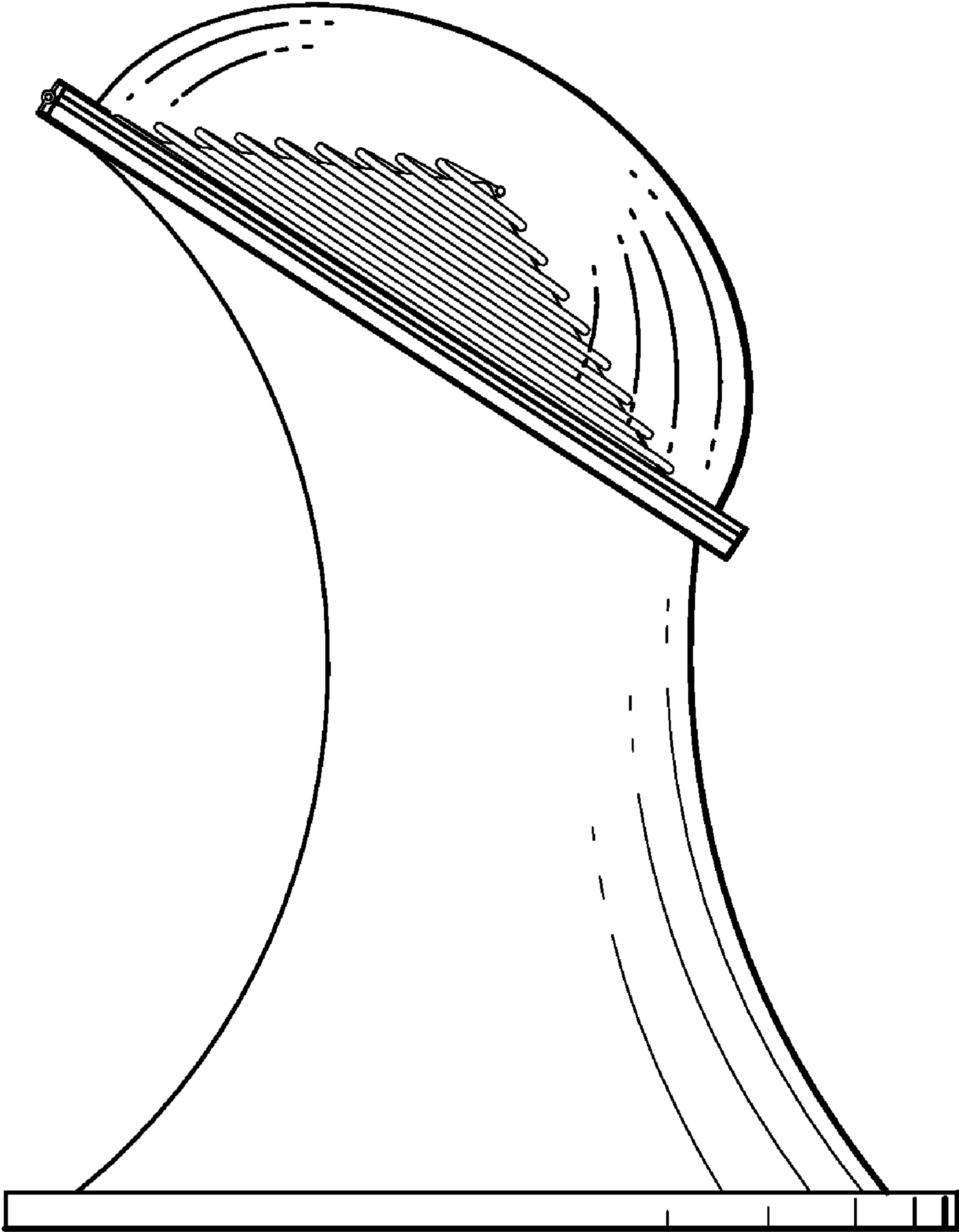




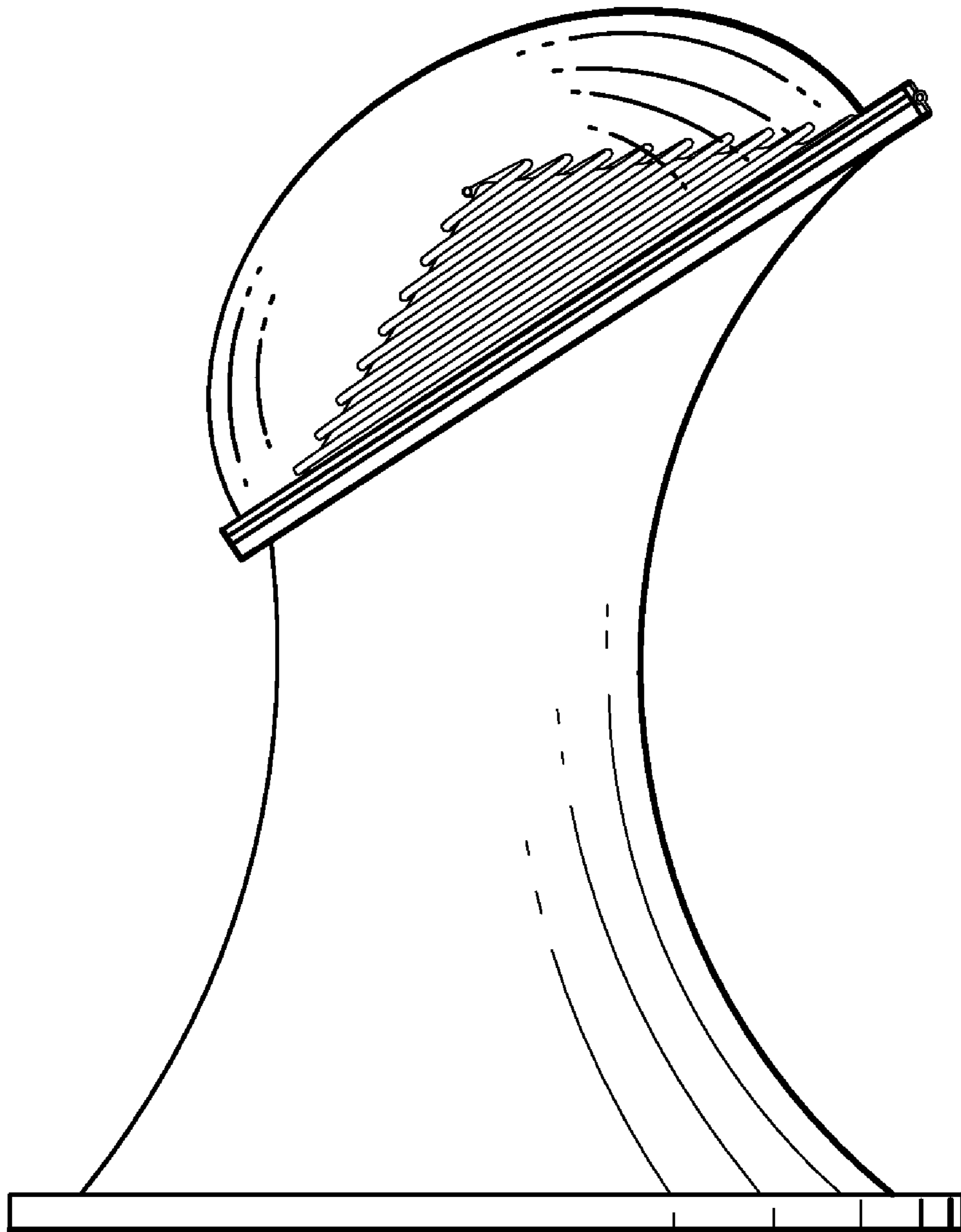
*FIG. 1*



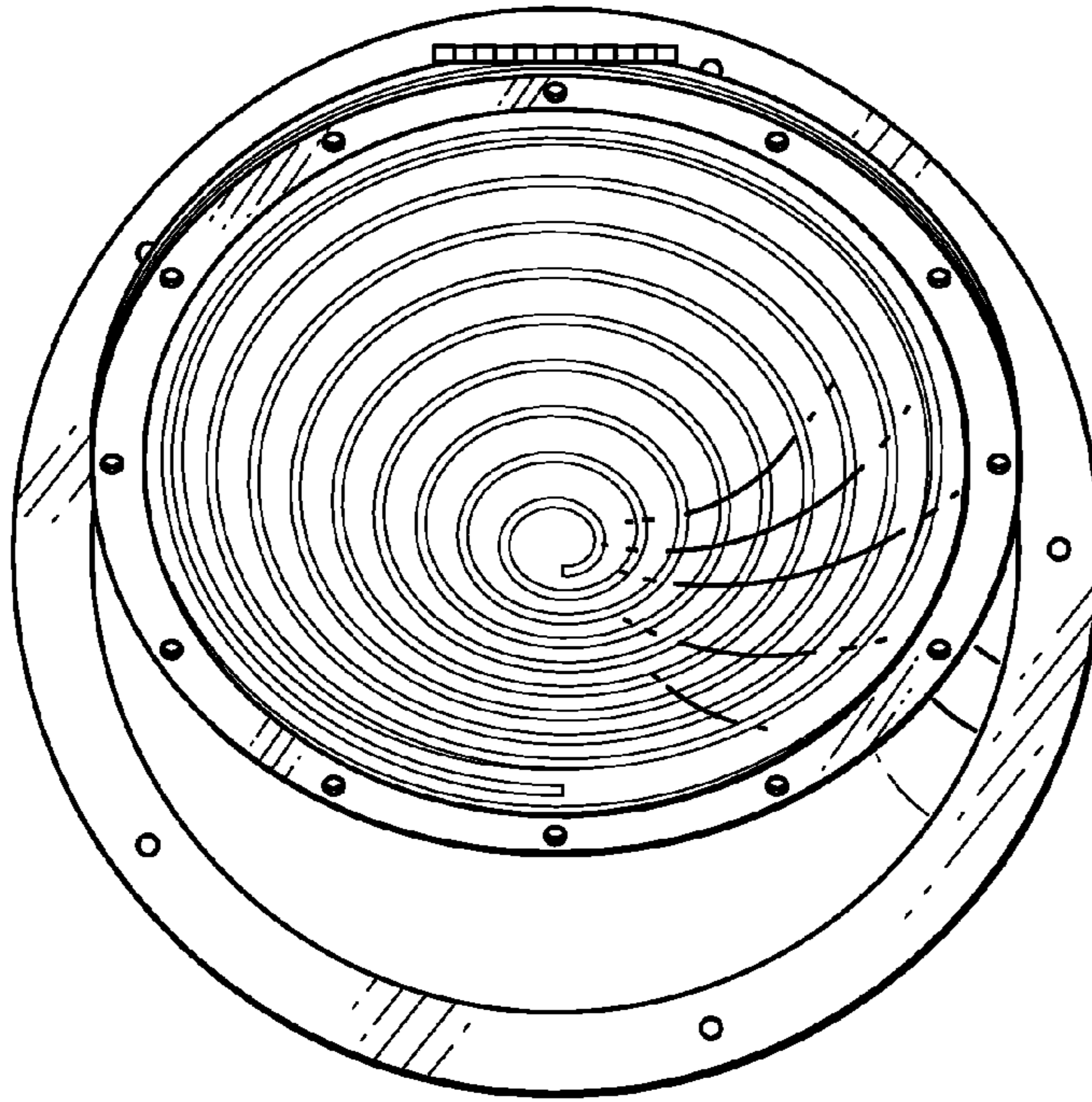
*FIG. 2*



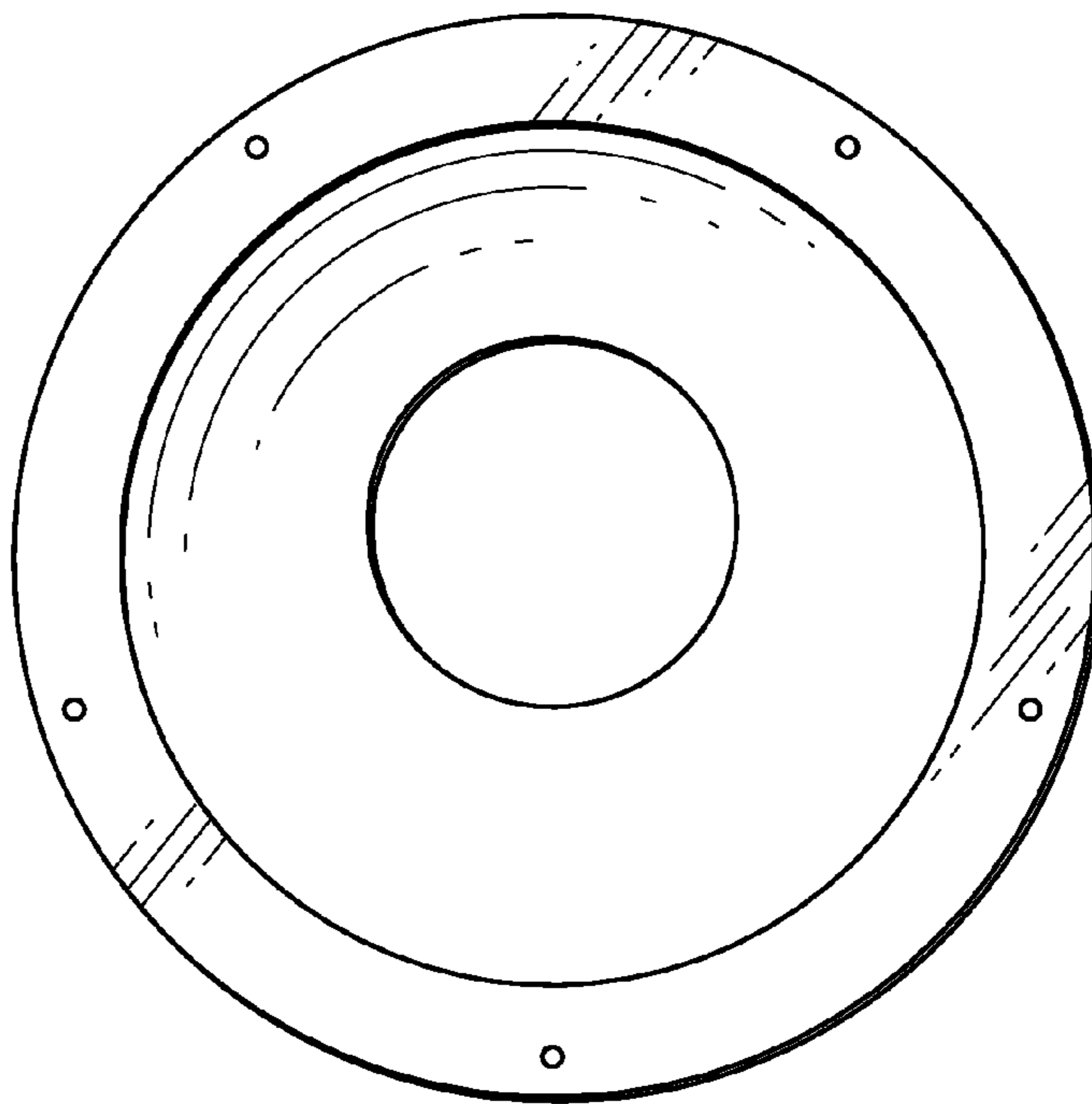
*FIG. 3*



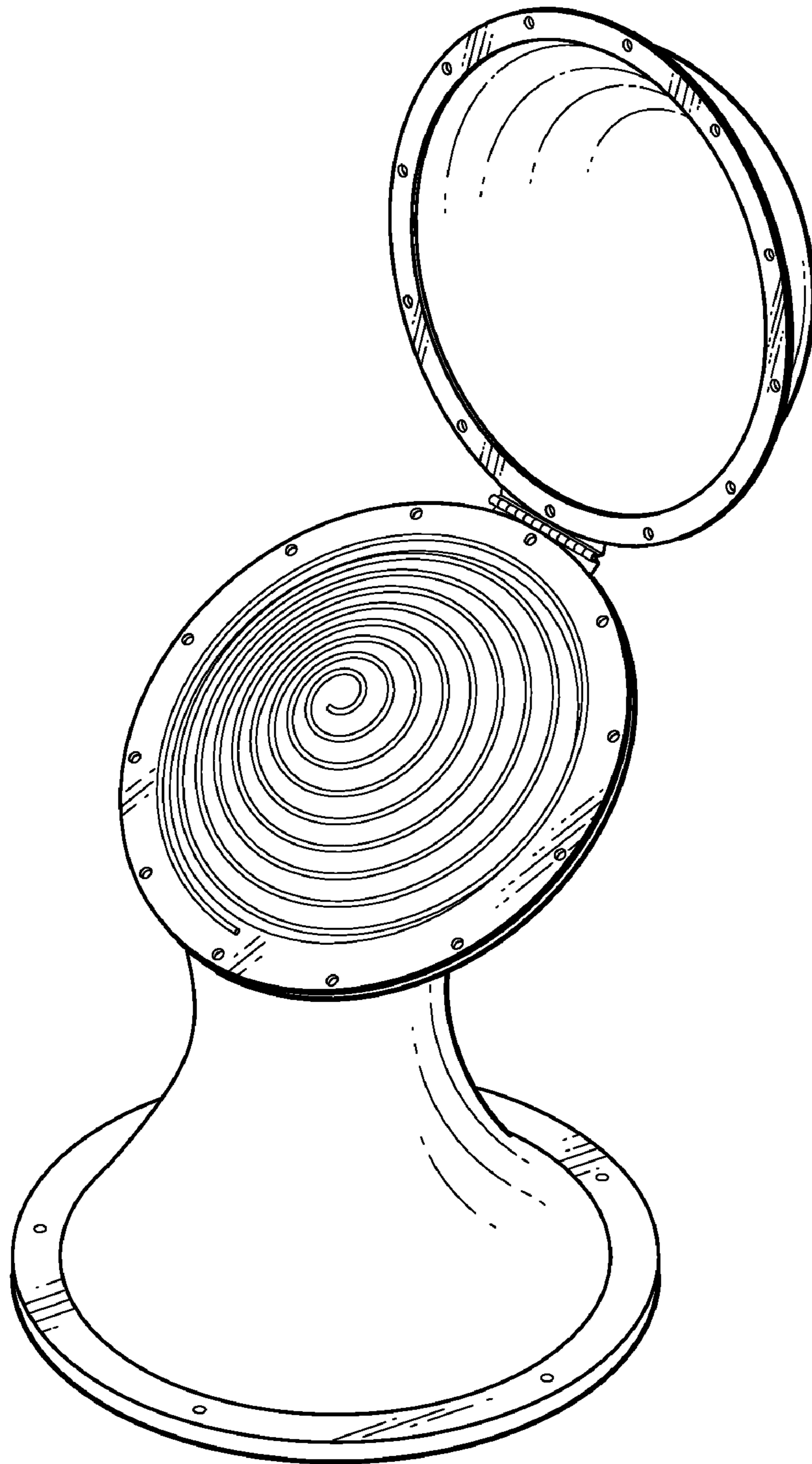
***FIG. 4***



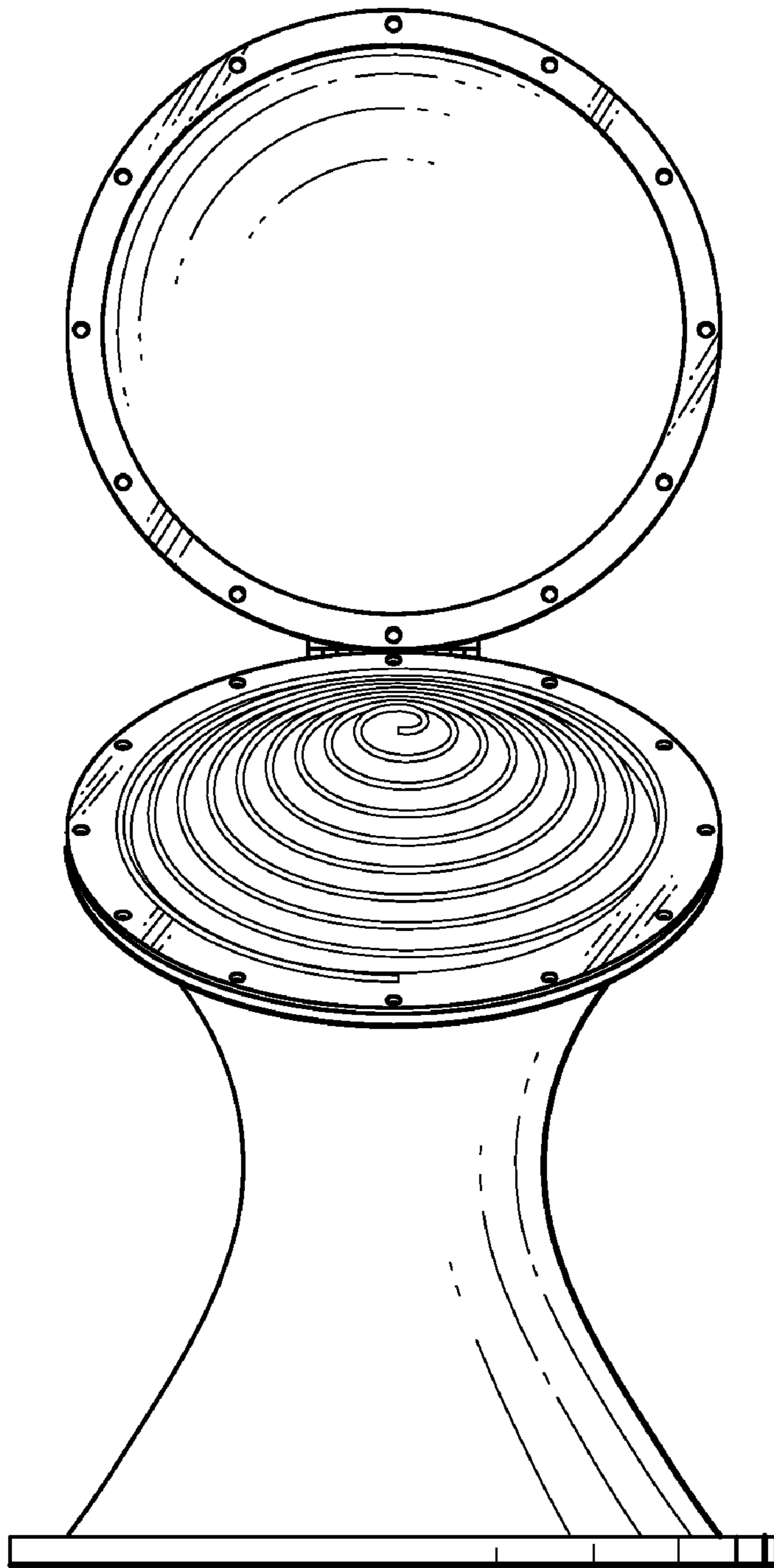
*FIG. 5*



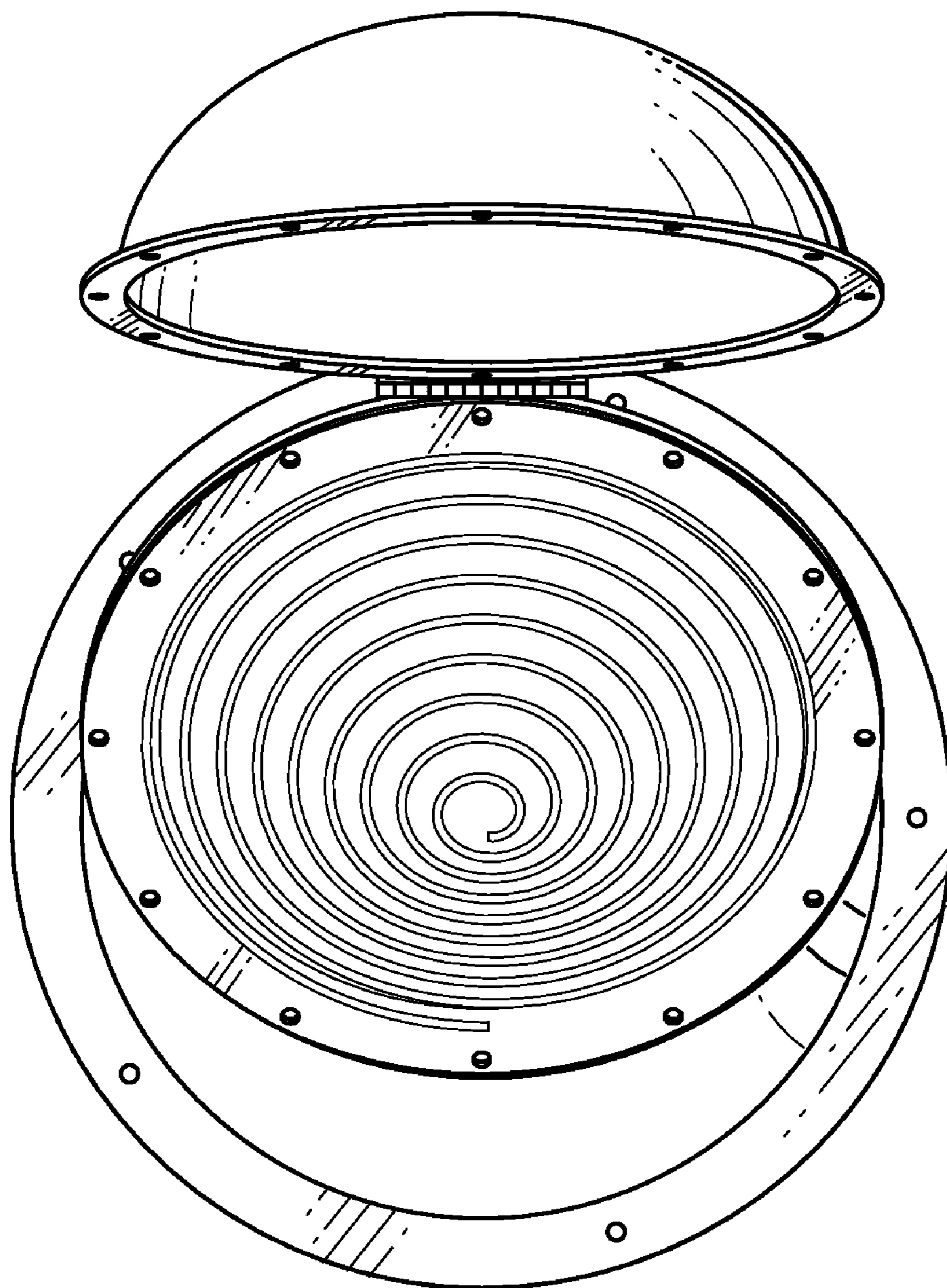
*FIG. 6*



**FIG. 7**



**FIG. 8**



***FIG. 9***