



US00D641304S

(12) **United States Design Patent**
Scheuren et al.

(10) **Patent No.:** **US D641,304 S**
(45) **Date of Patent:** **** Jul. 12, 2011**

(54) **TIRE**

(75) Inventors: **Daniel Scheuren**, Arlon (BE); **Olivier de Barsy**, Eischen (LU); **André Cuny**, Habay La Neuve (BE); **Philippe Joseph Auguste Muller**, Champion (BE); **Sebastien Willy Fontaine**, Oberfeulen (LU)

(73) Assignee: **The Goodyear Tire & Rubber Company**, Akron, OH (US)

(**) Term: **14 Years**

(21) Appl. No.: **29/385,472**

(22) Filed: **Feb. 15, 2011**

(51) **LOC (9) Cl.** **12-15**

(52) **U.S. Cl.** **D12/530**

(58) **Field of Classification Search** D12/505-532,
D12/900-901; 152/209.1-209.28, 455
See application file for complete search history.

(56) **References Cited**

U.S. PATENT DOCUMENTS

D340,688 S *	10/1993	Maxwell et al.	D12/530
D340,899 S *	11/1993	Kobayashi	D12/530
D384,622 S	10/1997	Scheuren et al.	D12/147
D447,096 S *	8/2001	Ratliff, Jr.	D12/530
D451,451 S *	12/2001	Smith	D12/530
D456,770 S	5/2002	Young	D12/602
D461,162 S	8/2002	Young et al.	D12/595
D484,845 S *	1/2004	Takahashi et al.	D12/531
D529,861 S *	10/2006	Takahashi et al.	D12/531
D544,430 S *	6/2007	Fontaine et al.	D12/530

D551,612 S *	9/2007	Maxwell et al.	D12/530
D558,662 S *	1/2008	Dumigan et al.	D12/531
D559,768 S *	1/2008	Oh	D12/530
D586,731 S	2/2009	Neubauer et al.	D12/579
D613,677 S	4/2010	Neubauer et al.	D12/579

* cited by examiner

Primary Examiner — Stacia Cadmus

(74) *Attorney, Agent, or Firm* — Richard B. O'Planick

(57) **CLAIM**

The ornamental design for a tire, as shown and described.

DESCRIPTION

FIG. 1 is a perspective view of a tire showing our new design, it being understood that the pattern repeats uniformly throughout the circumference of the tread;

FIG. 2 is a front elevational view thereof;

FIG. 3 is a right side elevational view thereof;

FIG. 4 is a left side elevational view thereof;

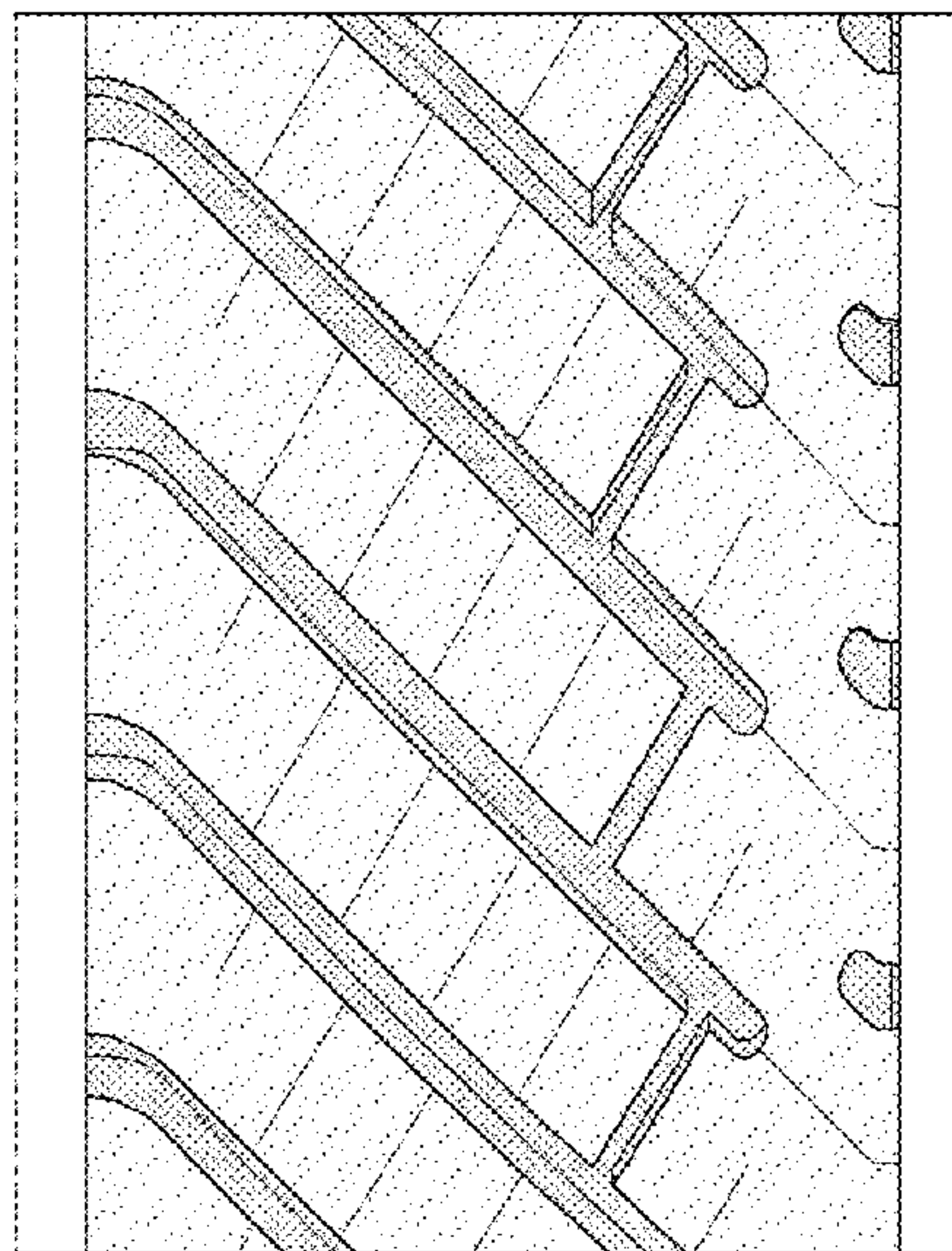
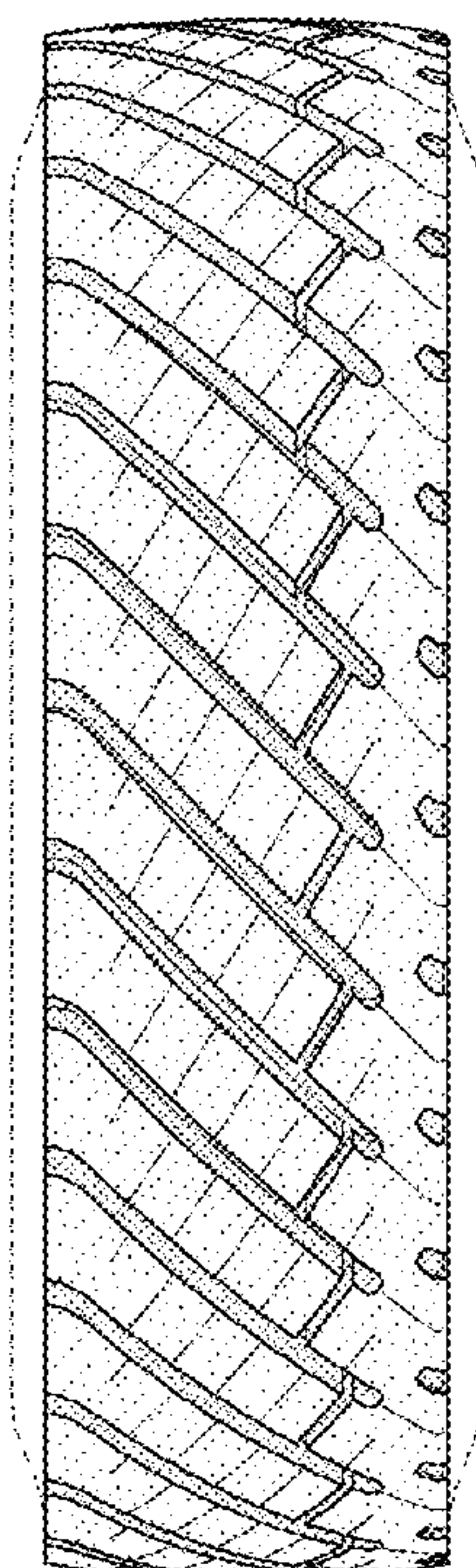
FIG. 5 is an enlarged fragmentary front elevational view thereof;

FIG. 6 is a perspective view of a second embodiment of a tire showing our new design, it being understood that the pattern repeats uniformly throughout the circumference of the tread; and,

FIG. 7 is a front elevational view of a second embodiment, it being understood that an enlarged fragmentary view thereof would be substantially identical to that shown in FIG. 5, with the exception of the inclusion of the sidewall in solid lines.

In the drawings, the broken lines showing of the sidewall, inner bead and the peripheral boundary between the tire tread and the sidewall in FIGS. 1 through 5 depict environmental subject matter and form no part of the claimed design.

1 Claim, 7 Drawing Sheets



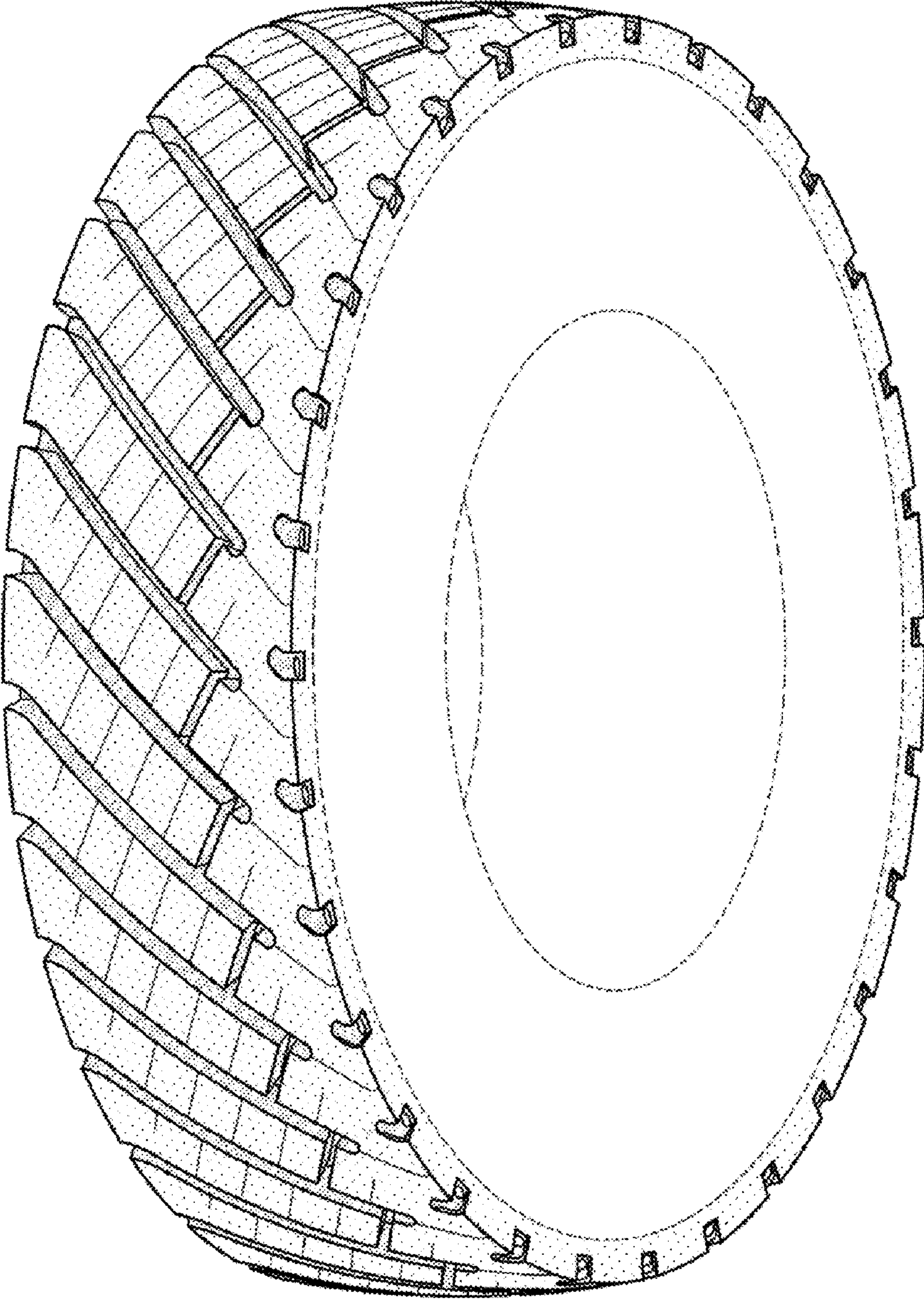


FIG-1

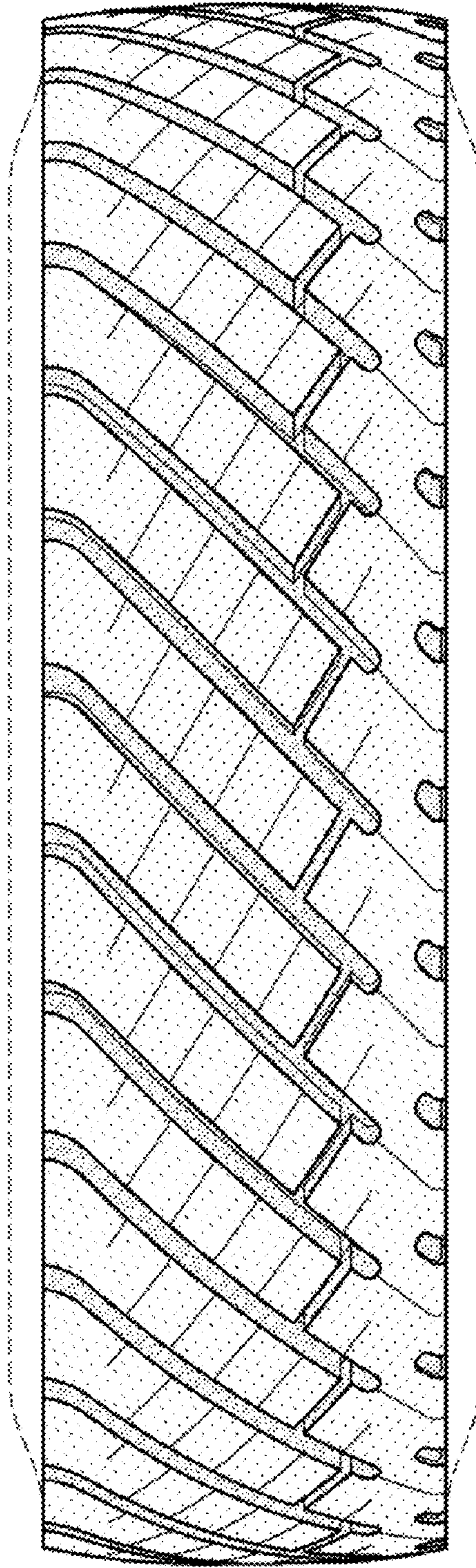


FIG-2

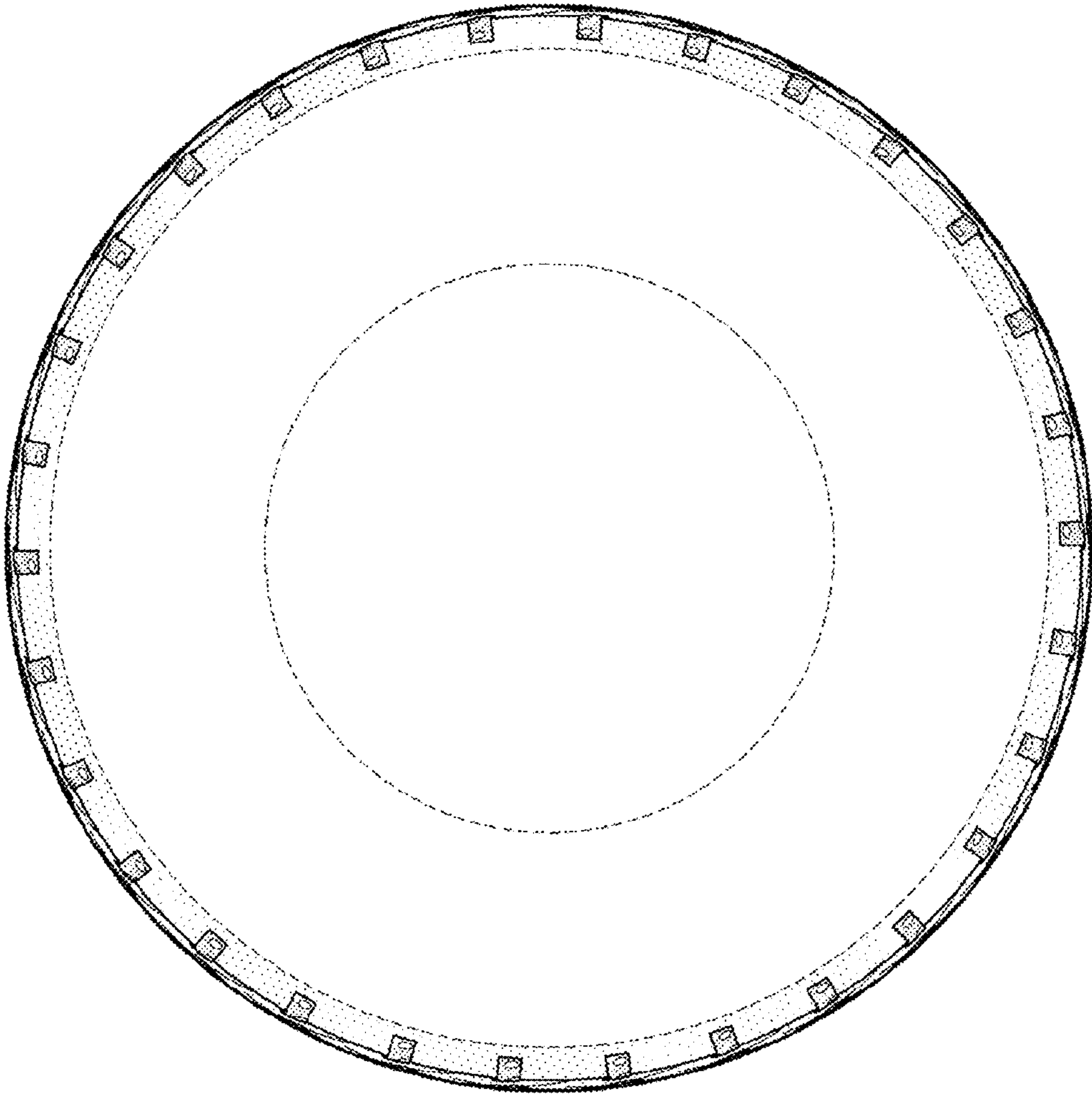


FIG-3

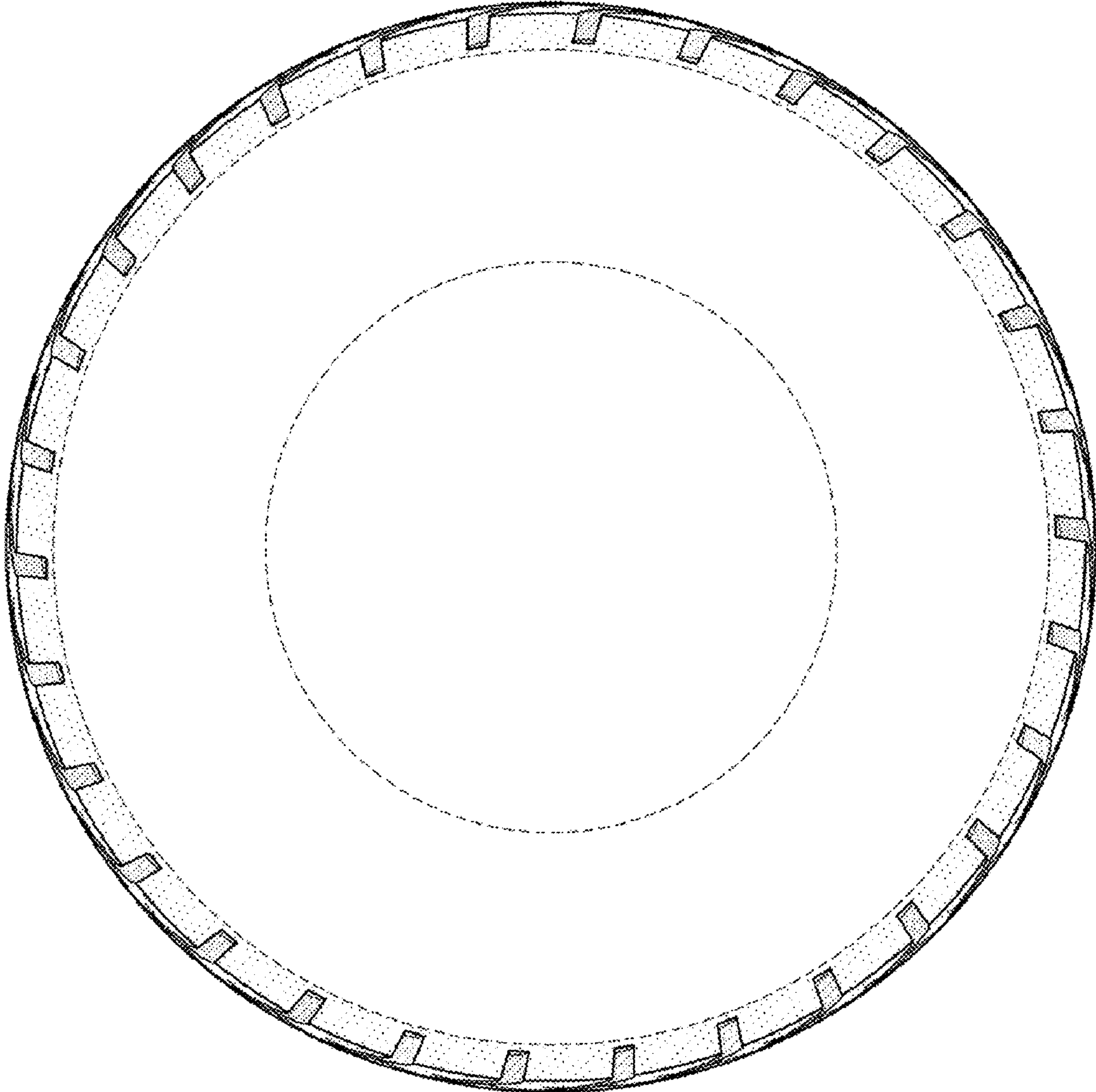


FIG-4

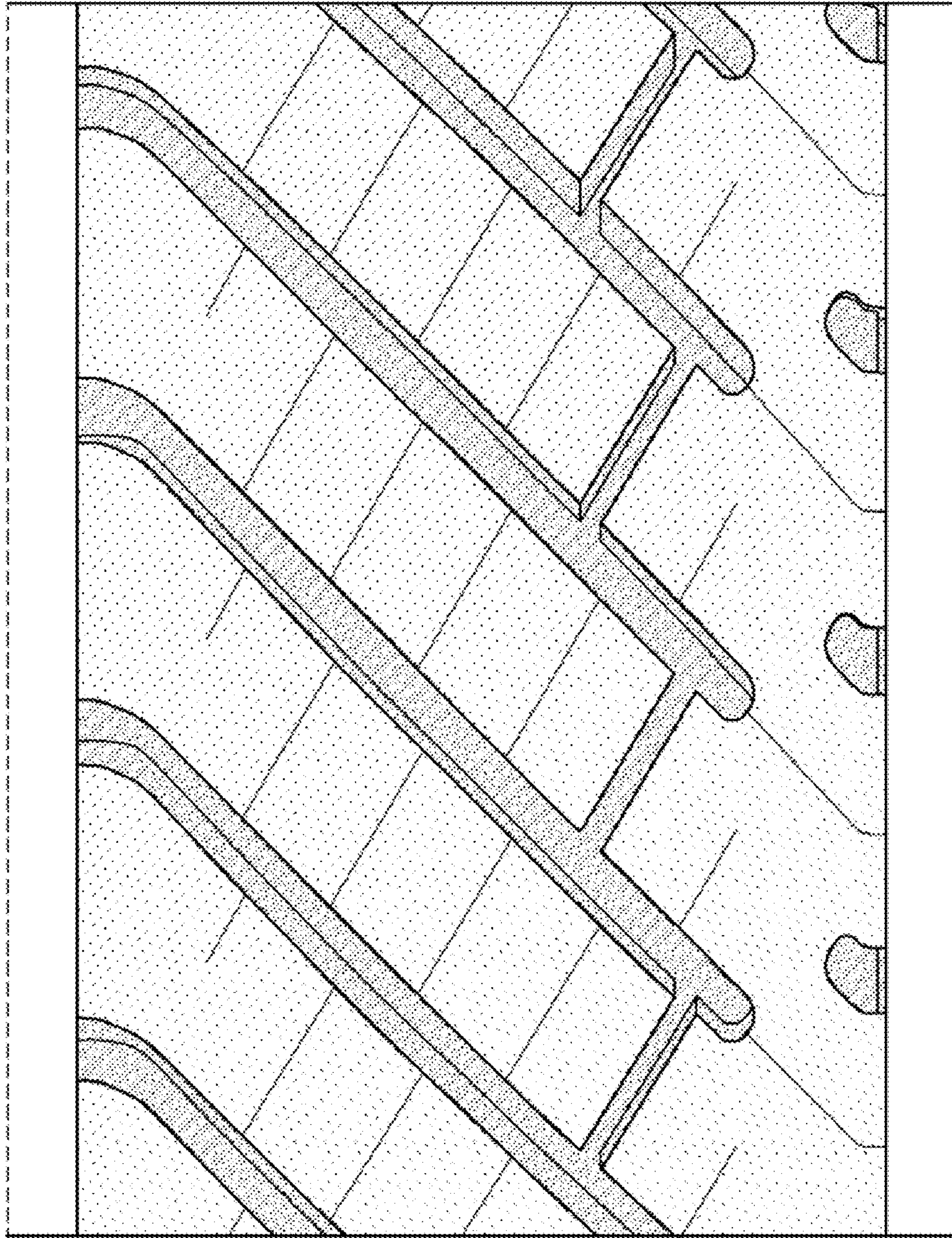


FIG-5

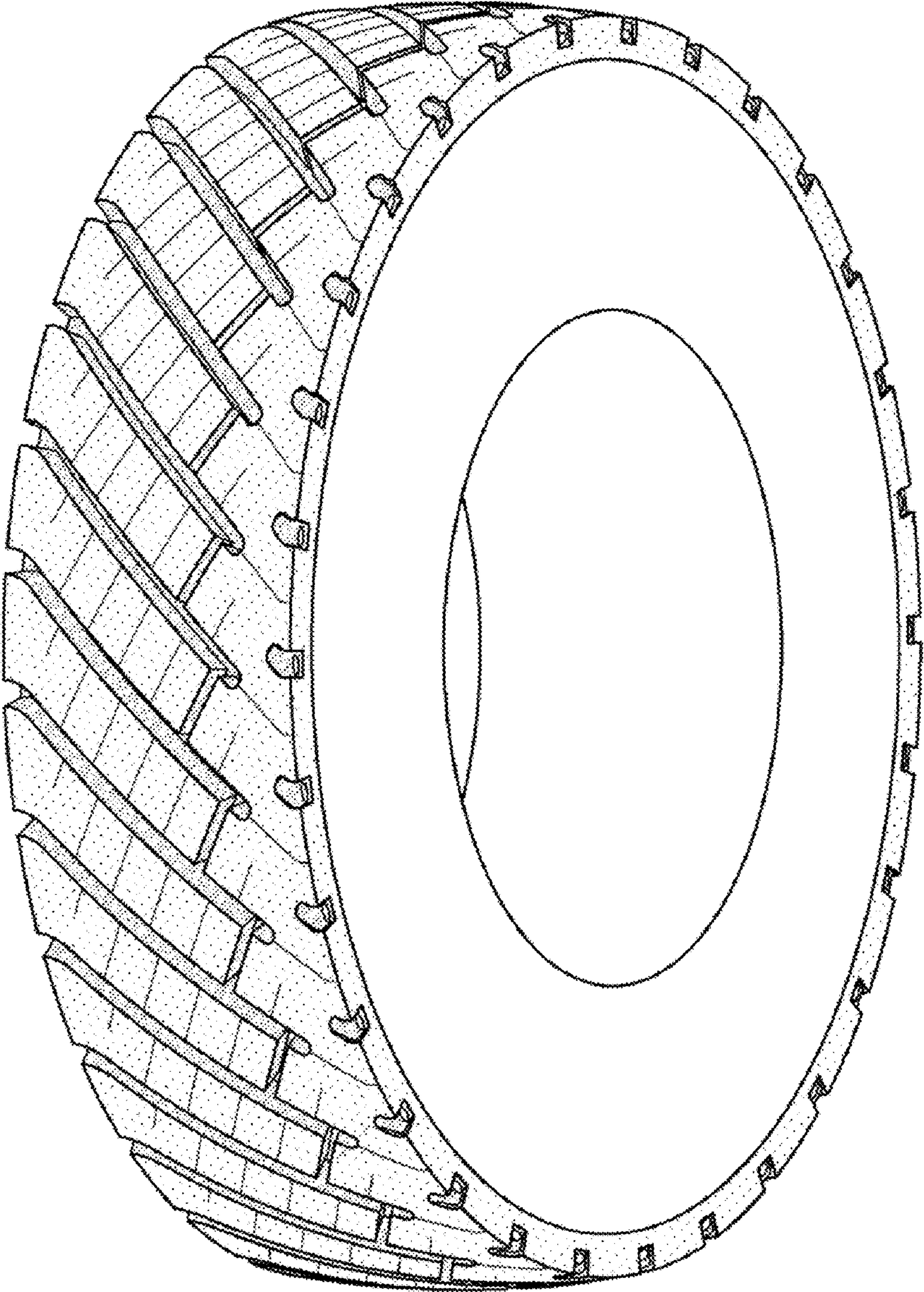


FIG-6

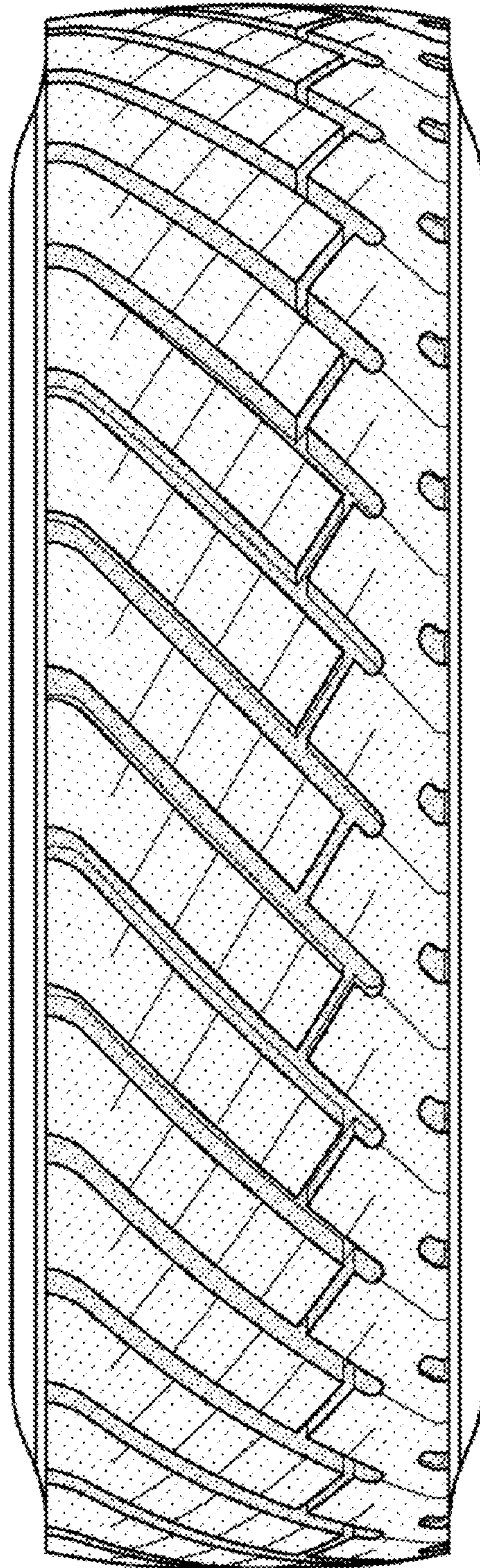


FIG-7