



US00D641301S

(12) **United States Design Patent**
Hilpert

(10) **Patent No.:** **US D641,301 S**
(45) **Date of Patent:** **** Jul. 12, 2011**

(54) **WHEEL OR WHEEL COVER**

(75) **Inventor:** **Kai Hilpert**, Plochingen (DE)

(73) **Assignee:** **Daimler AG**, Stuttgart (DE)

(**) **Term:** **14 Years**

(21) **Appl. No.:** **29/347,024**

(22) **Filed:** **Aug. 26, 2009**

(30) **Foreign Application Priority Data**

Feb. 27, 2009 (EM) 001093777-0002

(51) **LOC (9) Cl.** **12-16**

(52) **U.S. Cl.** **D12/211**

(58) **Field of Classification Search** D12/204-213;
301/37.101, 64.101, 65, 64.201

See application file for complete search history.

(56) **References Cited**

U.S. PATENT DOCUMENTS

D407,057 S *	3/1999	Goplen	D12/211
D451,876 S *	12/2001	Kohl	D12/211
D465,758 S *	11/2002	Plessing	D12/211
D483,313 S *	12/2003	Lenz	D12/209
D486,110 S *	2/2004	Elmitt	D12/211
D507,225 S *	7/2005	Velazco	D12/211
D519,902 S *	5/2006	Pfeiffer	D12/209
D522,431 S *	6/2006	Hieke	D12/209

D522,946 S *	6/2006	Hieke	D12/209
D522,947 S *	6/2006	Hieke	D12/209
D534,114 S *	12/2006	Holstein	D12/211
D535,934 S *	1/2007	Scheu	D12/211
D542,729 S *	5/2007	Hieke	D12/211
D544,823 S *	6/2007	Hieke	D12/211
D579,847 S *	11/2008	Hieke	D12/211
D583,741 S *	12/2008	Huet	D12/211
D585,803 S *	2/2009	Hieke	D12/209
D589,426 S *	3/2009	Yoon	D12/211
D596,100 S *	7/2009	Aroney	D12/211
D603,779 S *	11/2009	Futschik et al.	D12/211
D604,220 S *	11/2009	Penano	D12/209
D604,223 S *	11/2009	Dilber	D12/211
D624,478 S *	9/2010	Zhao	D12/211

* cited by examiner

Primary Examiner — Stacia Cadmus

(74) *Attorney, Agent, or Firm* — Crowell & Moring LLP

(57) **CLAIM**

The ornamental design for a wheel or wheel cover, as shown and described.

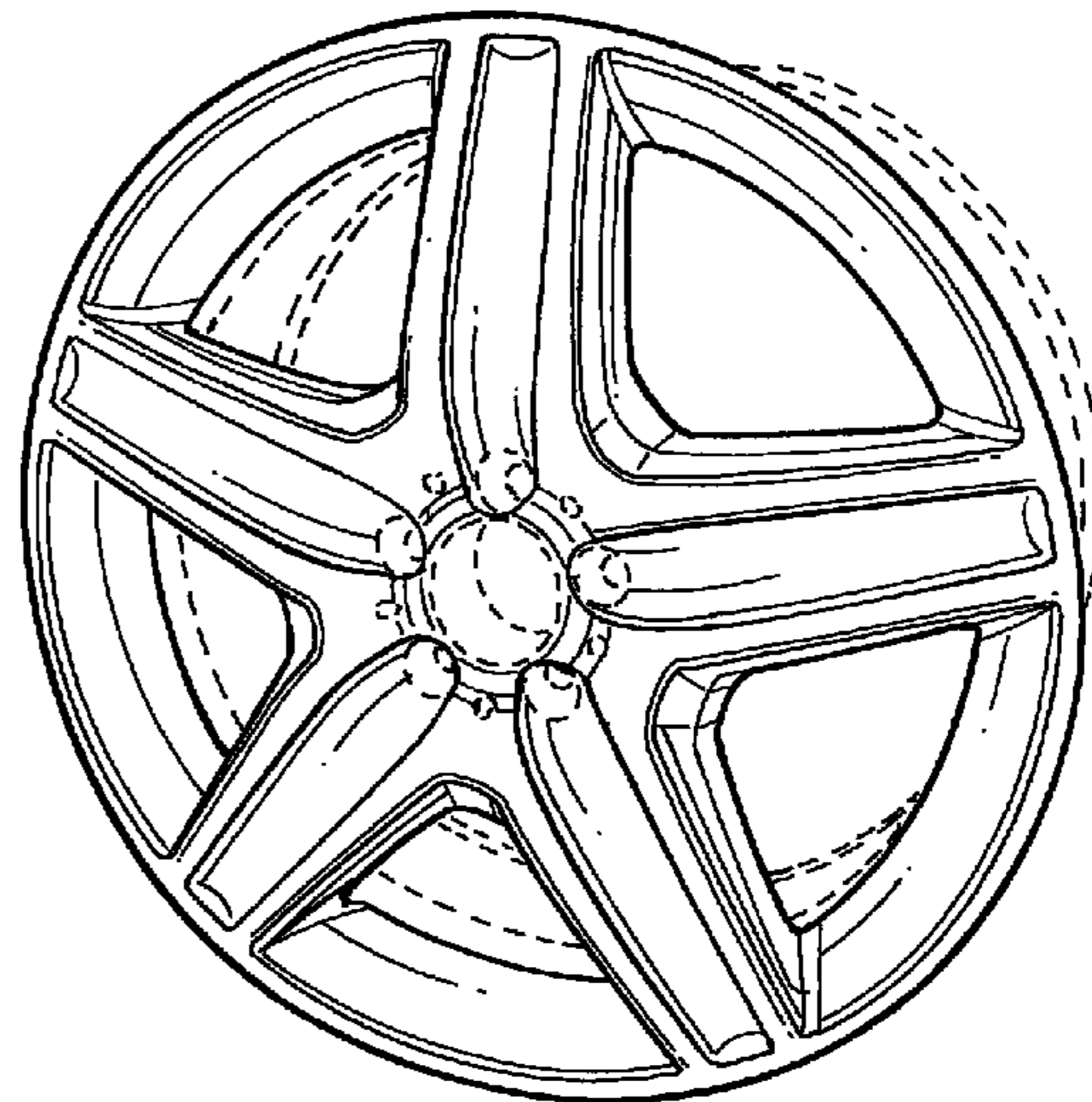
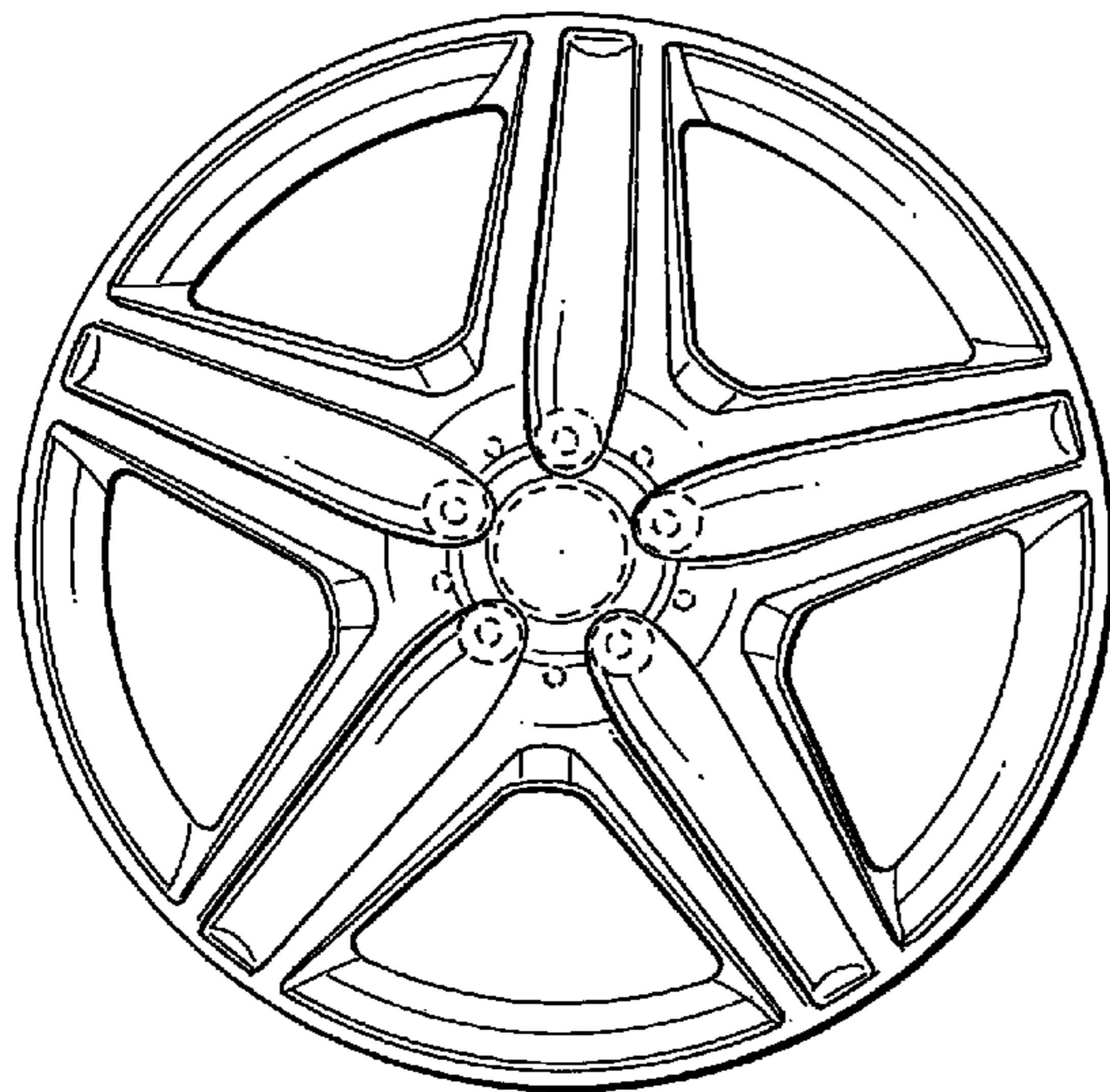
DESCRIPTION

FIG. 1 is a front view of a wheel or wheel cover according to my design; and,

FIG. 2 is a perspective view thereof.

The broken line showing of the rear of the wheel and the bolt holes and the center hole in the central hub area is included for the purpose of illustrating environment and forms no part of the claimed design.

1 Claim, 1 Drawing Sheet



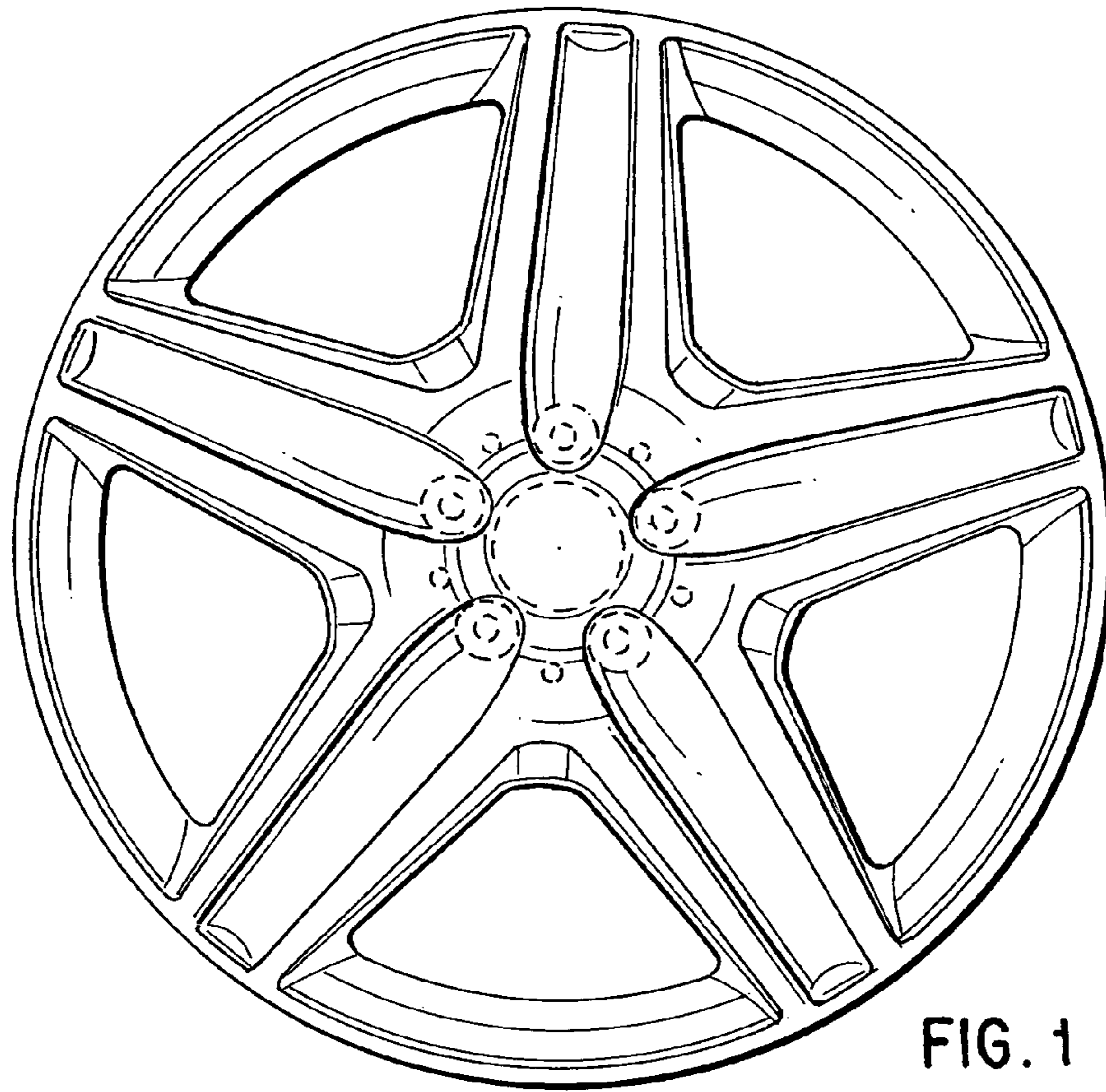


FIG. 1

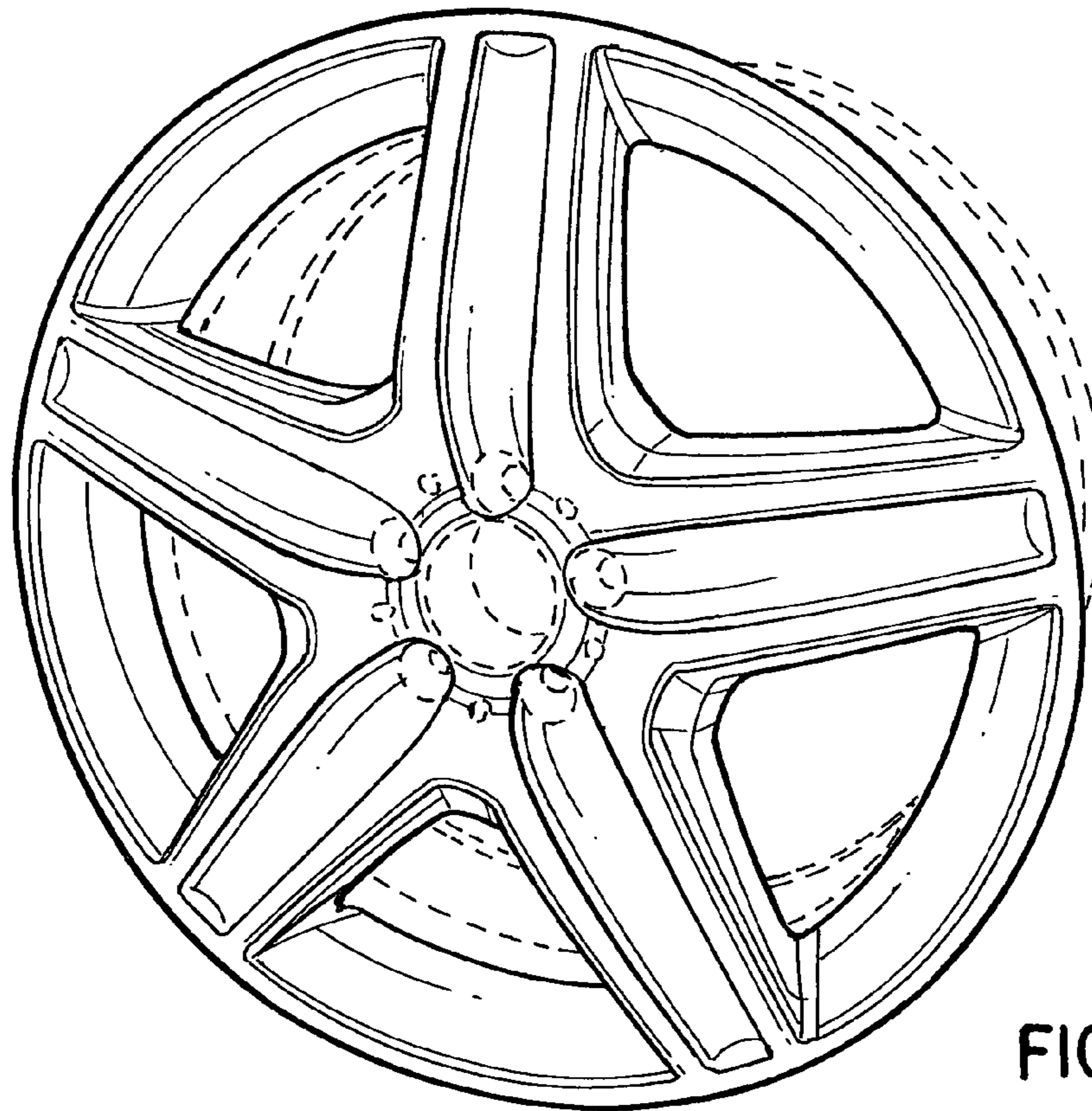


FIG. 2