



US00D641299S

(12) **United States Design Patent**  
**Downes**

(10) **Patent No.:** **US D641,299 S**

(45) **Date of Patent:** **\*\* \*Jul. 12, 2011**

(54) **COMPONENT FOR A SPRAY SUPPRESSION  
DEVICE FOR A VEHICLE**

(75) Inventor: **John Anthony Downes**, Wirral (GB)

(73) Assignee: **Spraydown Limited**, Stirling (GB)

(\*\*) Term: **14 Years**

(21) Appl. No.: **29/302,045**

(22) Filed: **Jan. 9, 2008**

(30) **Foreign Application Priority Data**

Jul. 12, 2007 (EM) ..... 000758503

(51) **LOC (9) Cl.** ..... **12-16**

(52) **U.S. Cl.** ..... **D12/185**

(58) **Field of Classification Search** ..... D12/185,  
D12/186; D25/119, 125; 280/152 R, 152.2,  
280/153 R, 154.5 R, 581, 582, 847, 851;  
428/31

See application file for complete search history.

(56) **References Cited**

**U.S. PATENT DOCUMENTS**

3,869,617 A \* 3/1975 Gaussoin et al. .... 280/851  
4,598,000 A \* 7/1986 Mantarro ..... 280/851  
4,627,631 A \* 12/1986 Sherman ..... 280/851

D570,273 S \* 6/2008 Thompson ..... D12/185  
2004/0080185 A1 \* 4/2004 Loddo ..... 280/851  
2006/0082130 A1 \* 4/2006 Yingling et al. .... 280/851  
2007/0278781 A1 12/2007 Downes  
2008/0100053 A1 \* 5/2008 Kellick ..... 280/851

**FOREIGN PATENT DOCUMENTS**

GB 2 229 689 A 10/1990  
WO 2005/095188 A1 10/2005

\* cited by examiner

*Primary Examiner* — Patricia Palasik

(74) *Attorney, Agent, or Firm* — Carmody & Torrance LLP

(57) **CLAIM**

The ornamental design for a component for a spray suppression device for a vehicle, as shown and described.

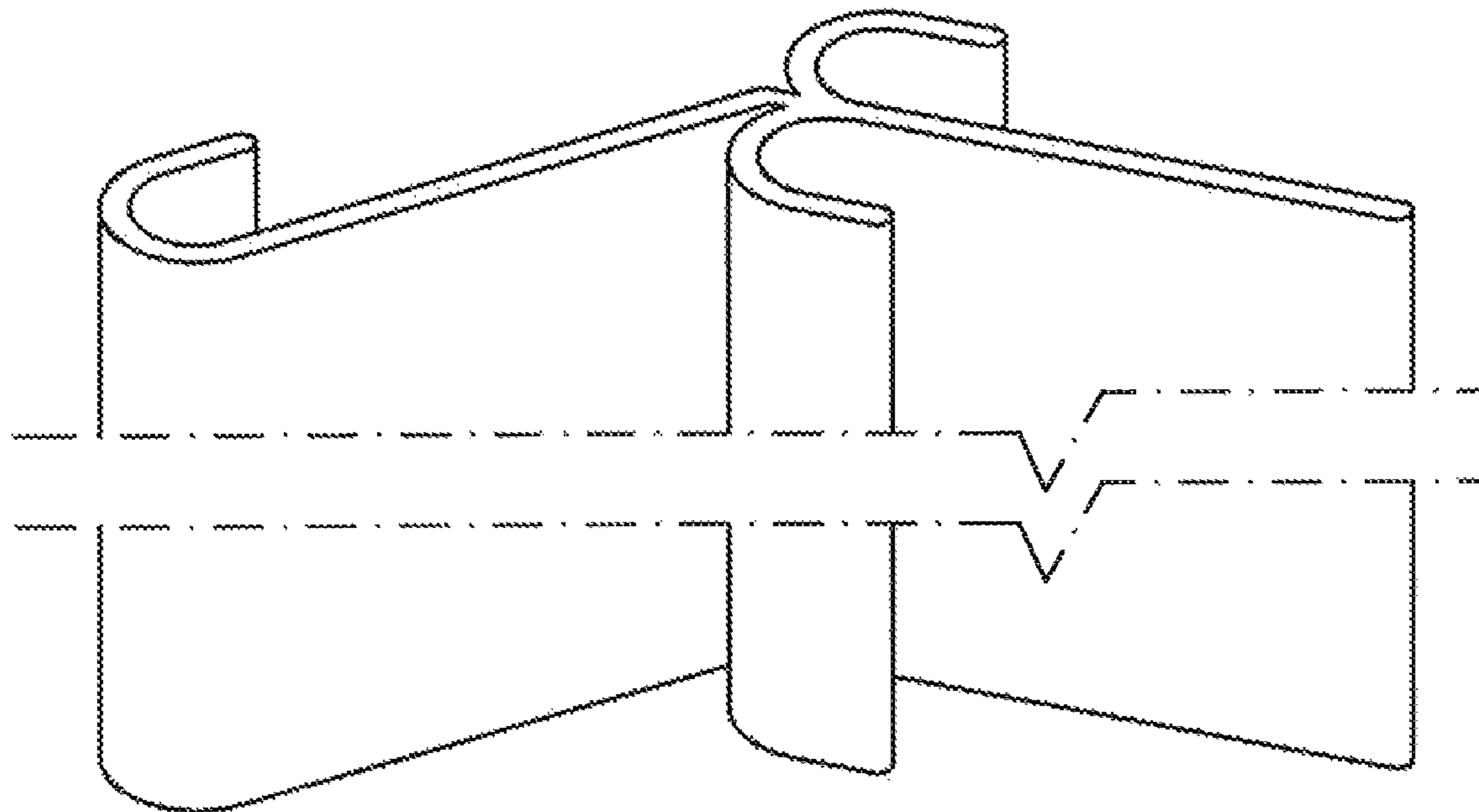
**DESCRIPTION**

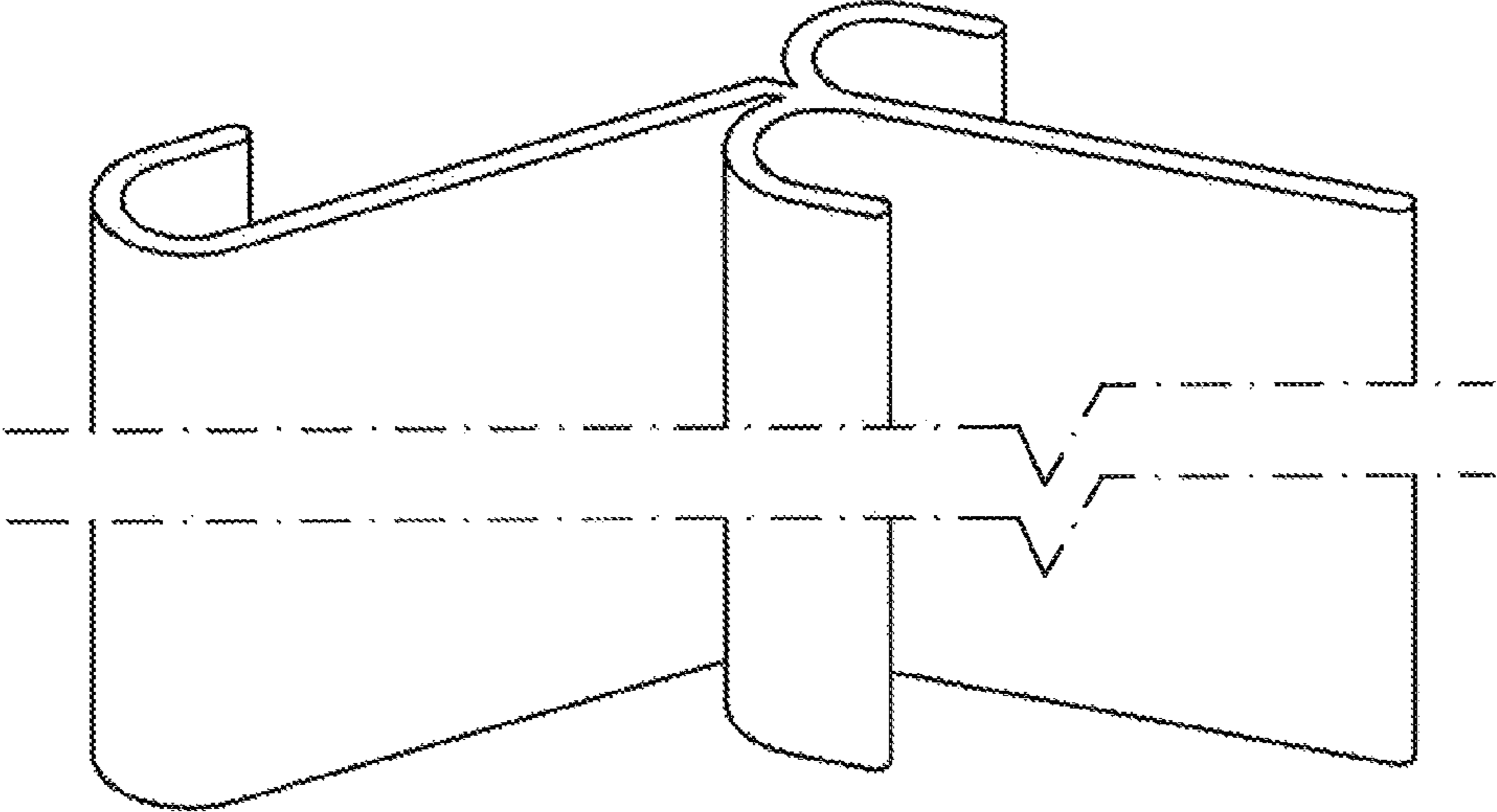
FIG. 1 is a perspective view of a component for a spray suppression device for a vehicle showing my new design, wherein the separation and bracket are used to indicate no particular height of the component;

FIG. 2 is a perspective view of the component for a spray suppression device for a vehicle from another angle thereof, wherein the separation and bracket are used to indicate no particular height of the component; and,

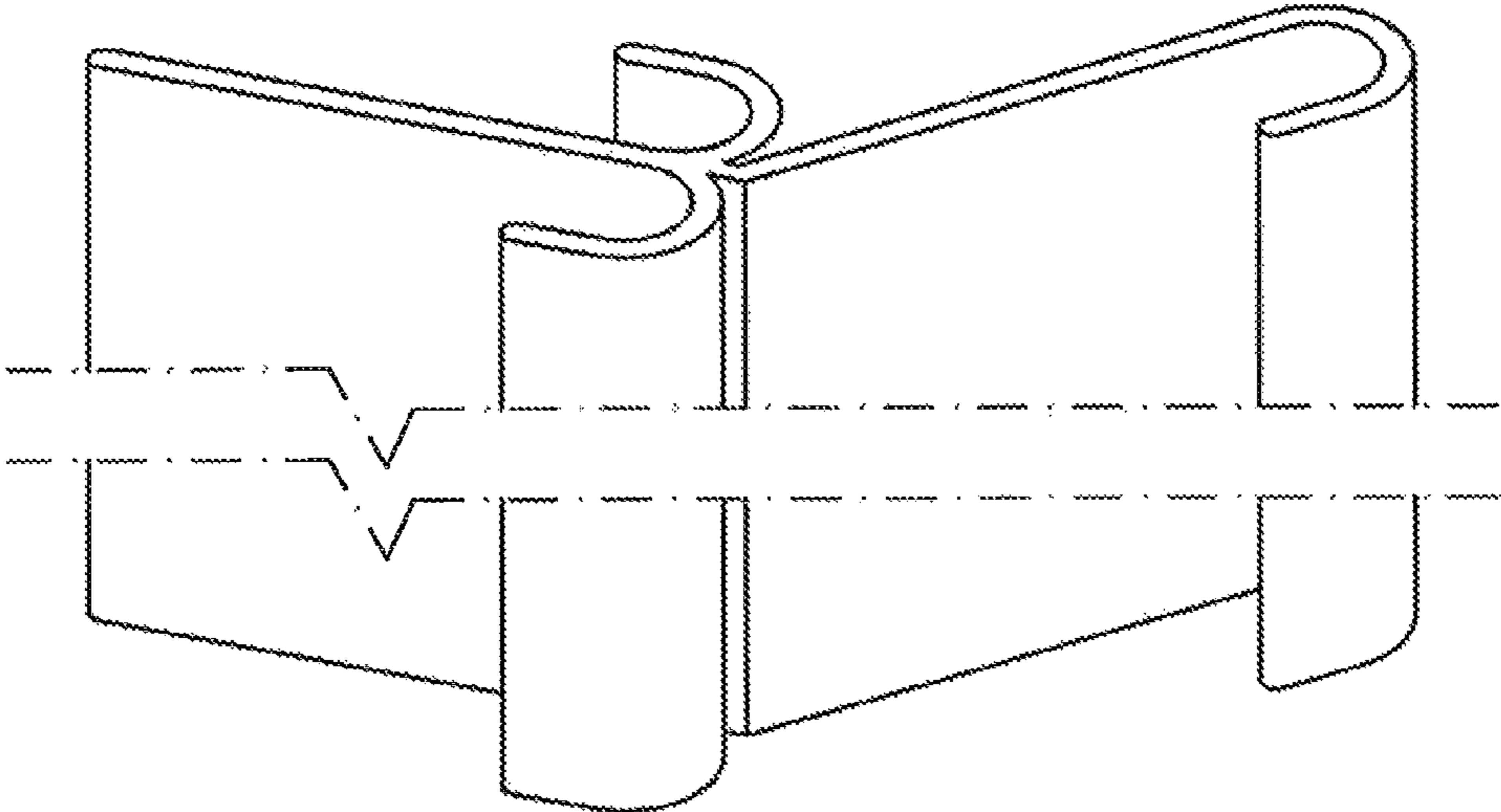
FIG. 3 is an end view of the component for a spray suppression device for a vehicle shown in shown in FIGS. 1 and 2.

**1 Claim, 1 Drawing Sheet**

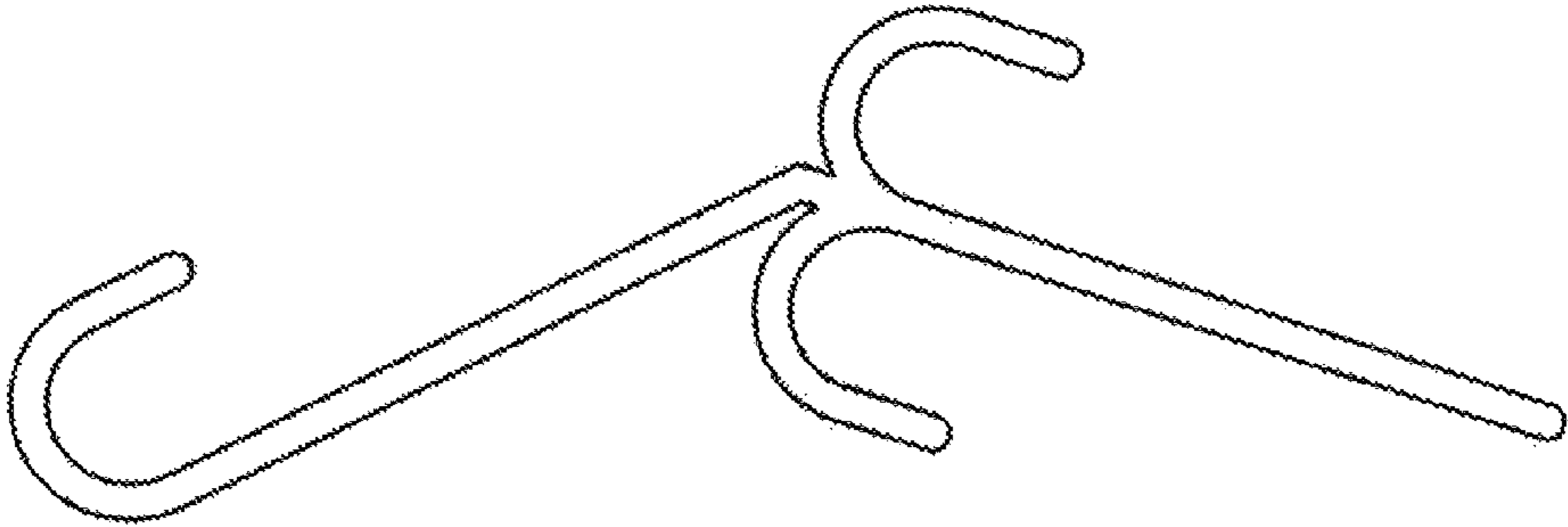




*FIG. 1*



*FIG. 2*



*FIG. 3*