



US00D641298S

(12) **United States Design Patent**
Beigel et al.

(10) **Patent No.:** **US D641,298 S**

(45) **Date of Patent:** **** Jul. 12, 2011**

(54) **FENDER EXTENSION OF A TRUCK VEHICLE**

(56) **References Cited**

(75) Inventors: **David J. Beigel**, Payne, OH (US);
Marcey K. Collins, Fort Wayne, IN (US);
Robert P. Scott, Fort Wayne, IN (US);
Joseph F. DeNatale, Fort Wayne, IN (US);
L. David Allendorph, Fort Wayne, IN (US);
Christopher Spurlin, Fort Wayne, IN (US);
Dennis L. Griffith, Troy, MI (US)

U.S. PATENT DOCUMENTS

D424,495	S	*	5/2000	Damon et al.	D12/196
D431,806	S	*	10/2000	Damon et al.	D12/196
D524,204	S	*	7/2006	Beigel	D12/184
D540,727	S	*	4/2007	Elliott et al.	D12/196
D573,066	S	*	7/2008	Ichikawa et al.	D12/126
D603,762	S	*	11/2009	Hayashi et al.	D12/126
D615,472	S	*	5/2010	Maher et al.	D12/196
D623,103	S	*	9/2010	Braga	D12/181
D631,791	S	*	2/2011	Sanschagrín	D12/14

* cited by examiner

(73) Assignee: **International Truck Intellectual Property Company, LLC**, Warrenville, IL (US)

Primary Examiner — Caron D Veynar

Assistant Examiner — Katrina Kile

(**) Term: **14 Years**

(74) *Attorney, Agent, or Firm* — Jeffrey P. Calfa; Mark C. Bach; Gerald W. Askew

(21) Appl. No.: **29/384,285**

(57) **CLAIM**

The ornamental design for a fender extension of a truck vehicle, as shown and described.

(22) Filed: **Jan. 28, 2011**

DESCRIPTION

(51) **LOC (9) Cl.** **12-08**

(52) **U.S. Cl.** **D12/181**

(58) **Field of Classification Search** D12/181,
D12/184, 191, 196, 400, 190, 88; 280/848,
280/770, 727; 296/91, 180.1–180.5, 903

FIG. 1 is a FRONT LEFT view of a fender extension of a truck vehicle showing our new design;

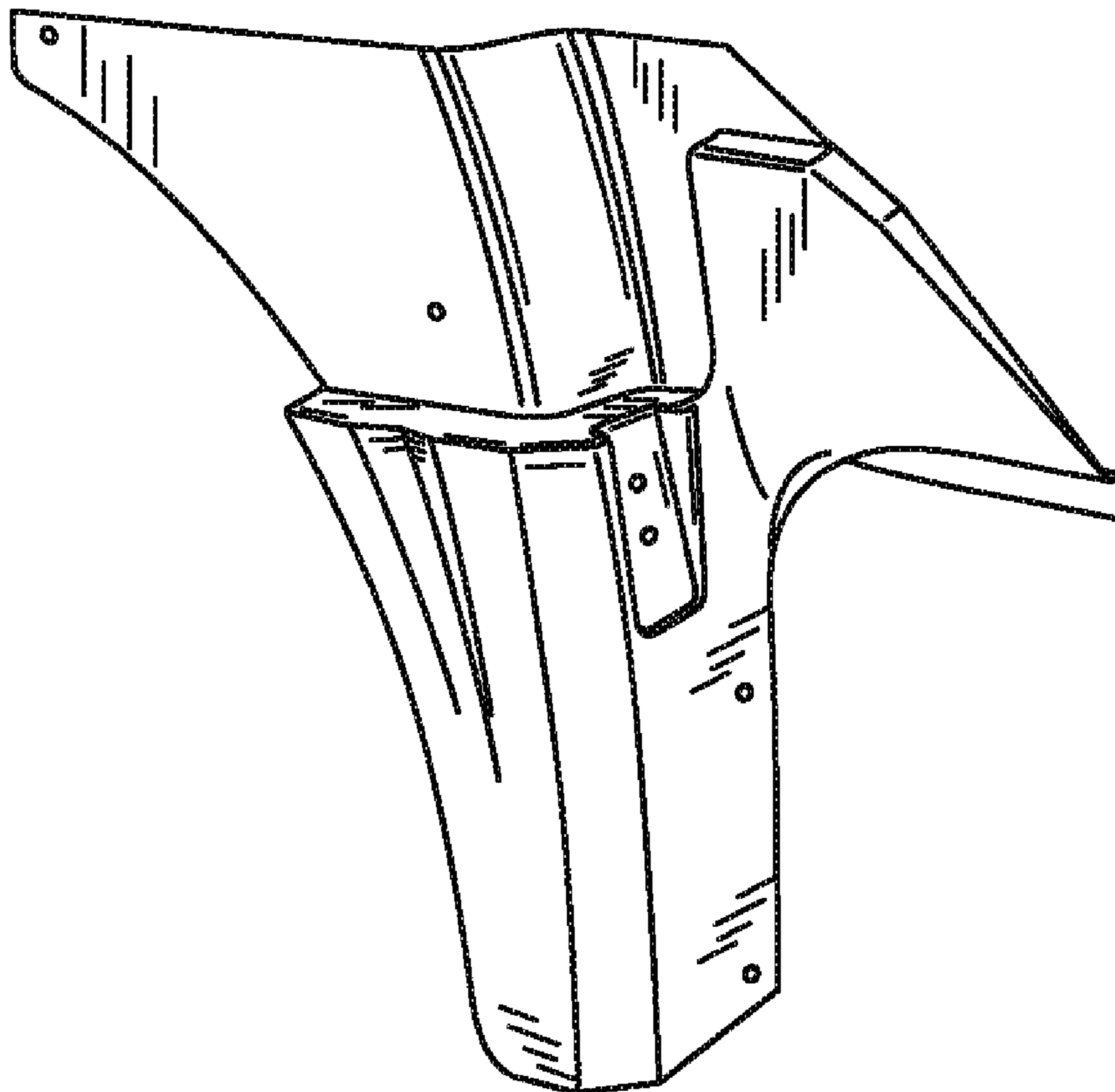
FIG. 2 is a TOP view thereof;

FIG. 3 is a FRONT view thereof; and,

FIG. 4 is a LEFT view thereof.

See application file for complete search history.

1 Claim, 1 Drawing Sheet



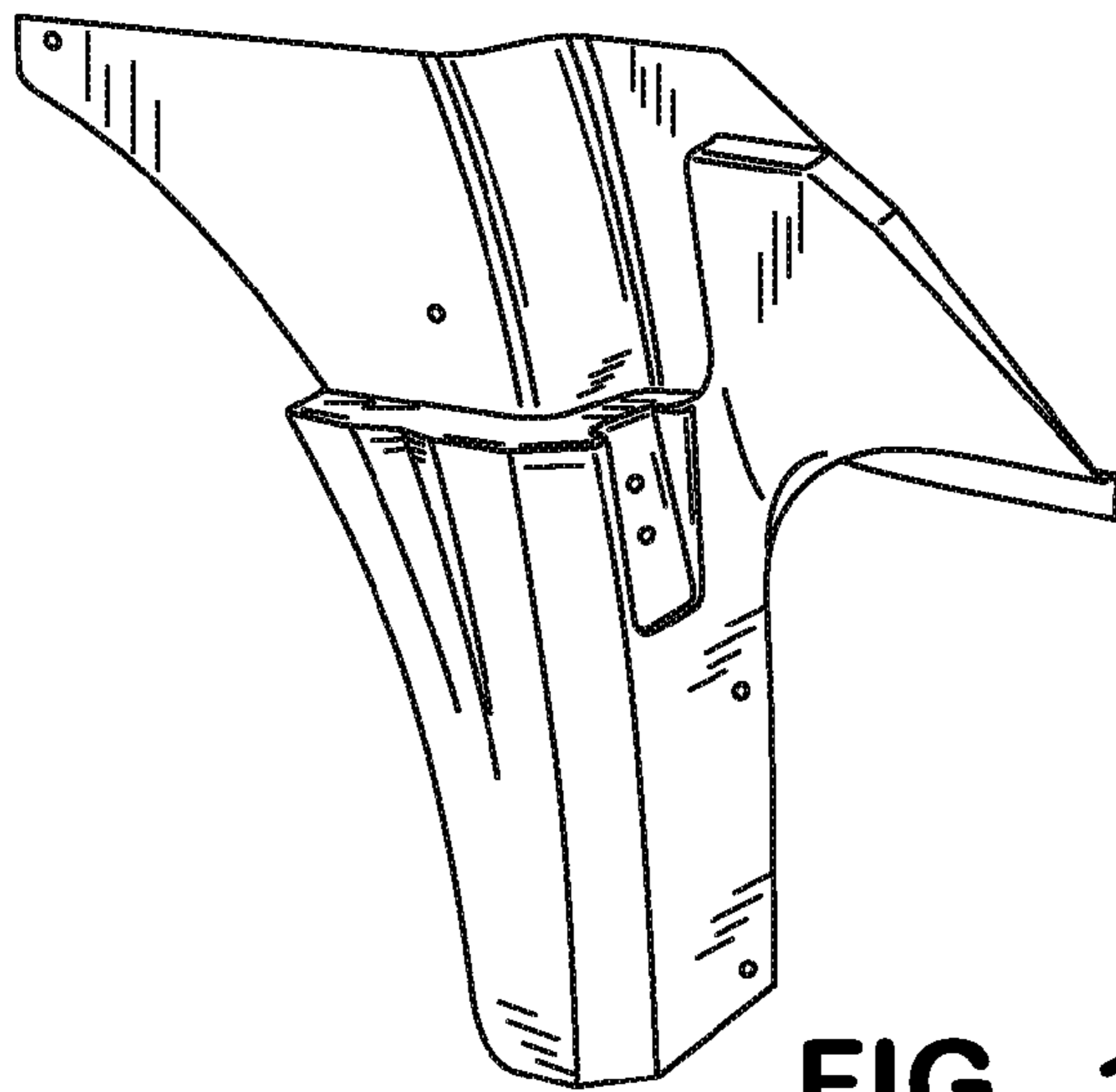


FIG. 1

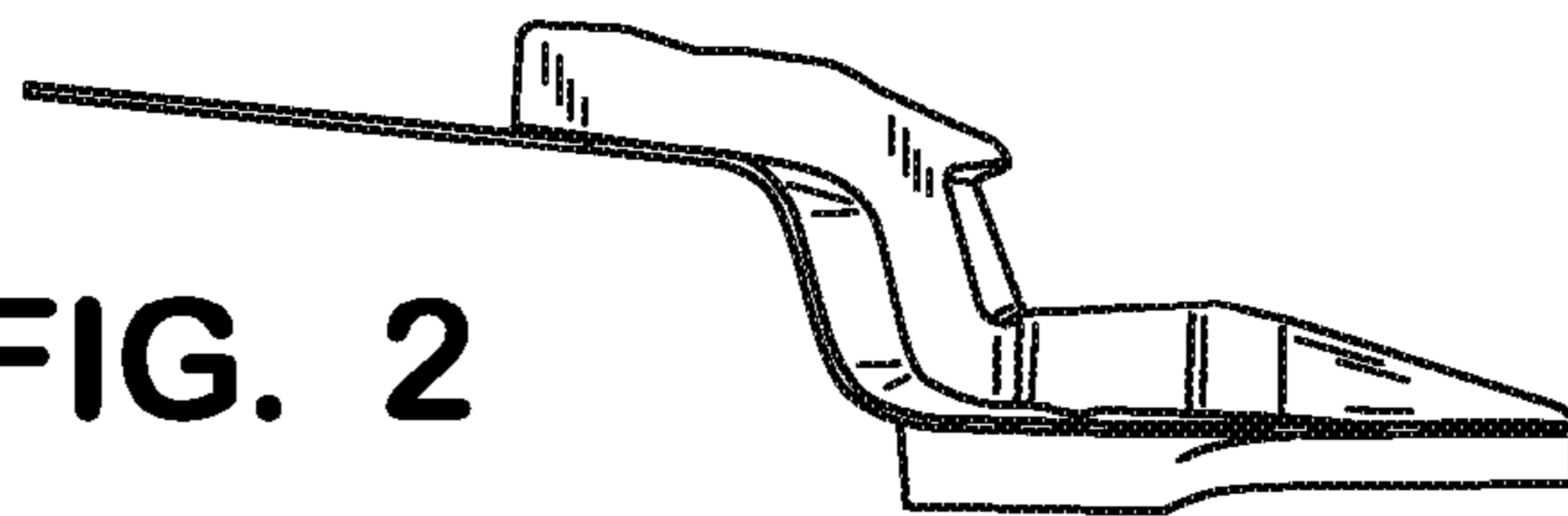


FIG. 2

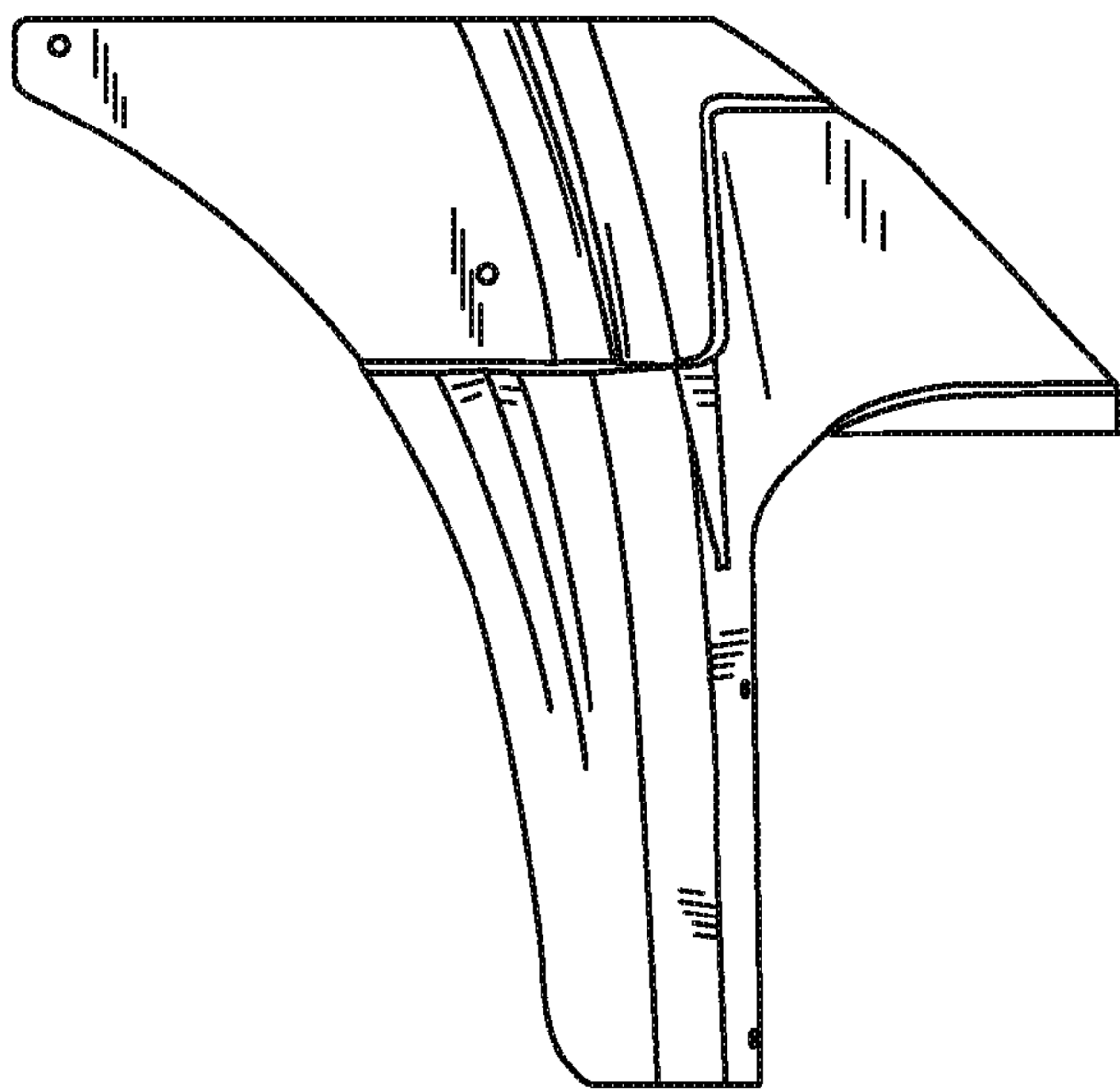


FIG. 3

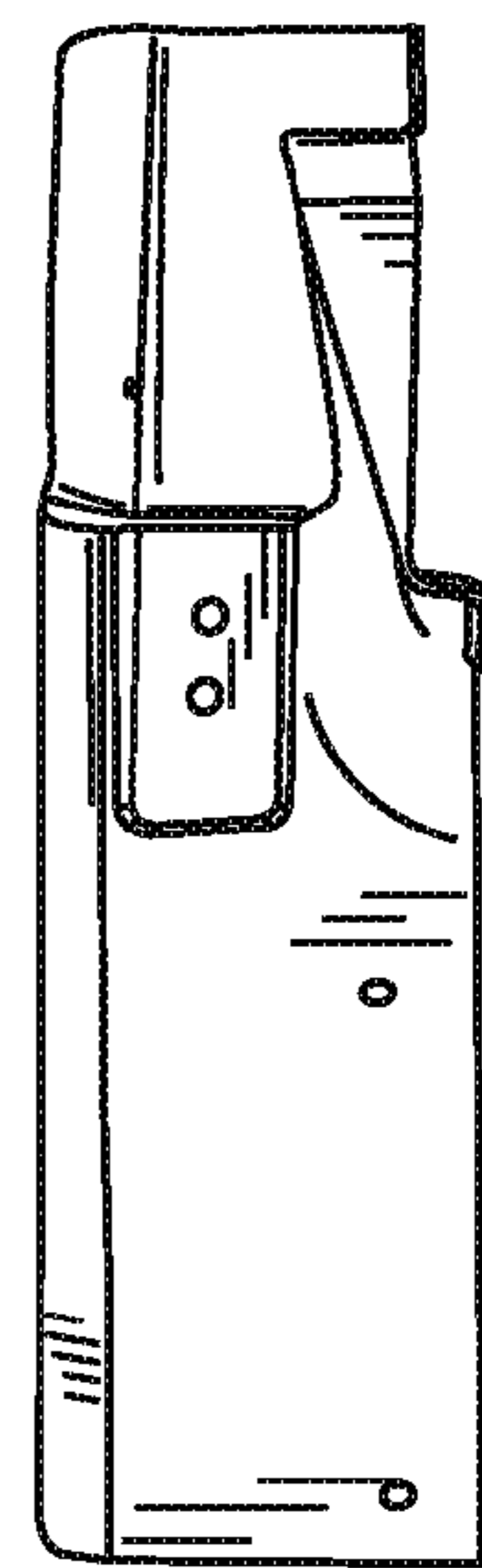


FIG. 4