



US00D641294S

(12) **United States Design Patent**
Edick

(10) **Patent No.:** **US D641,294 S**

(45) **Date of Patent:** **** Jul. 12, 2011**

(54) **HITCH AND CUSTOMIZABLE
RECTANGULAR HITCH COVER
COMBINATION**

(76) Inventor: **James W. Edick**, Golden Valley, AZ
(US)

(**) Term: **14 Years**

(21) Appl. No.: **29/366,065**

(22) Filed: **Jul. 19, 2010**

(51) **LOC (9) Cl.** **12-16**

(52) **U.S. Cl.** **D12/162**

(58) **Field of Classification Search** D12/162,
D12/400, 193; 280/504–507, 511, 495; 293/117;
150/166; D20/13, 27, 28; 40/590, 591
See application file for complete search history.

(56) **References Cited**

U.S. PATENT DOCUMENTS

D39,640	S	*	10/1908	Eustis	D6/300
3,047,970	A	*	8/1962	Bleiberg	40/661
D243,378	S	*	2/1977	Tharp	D6/300
D243,815	S	*	3/1977	Henry	D20/28
D244,661	S	*	6/1977	Henry	D20/28
D245,749	S	*	9/1977	Henry	D20/28
D298,489	S	*	11/1988	Sornborger	D6/300
4,949,483	A	*	8/1990	Dobson et al.	40/740
D321,913	S	*	11/1991	Wolff	D20/27
D356,832	S	*	3/1995	Maxwell-Trumble et al.	D20/22
D368,059	S	*	3/1996	Barth	D12/162
5,603,178	A		2/1997	Morrison		
5,783,265	A	*	7/1998	Parkander	428/13
D399,805	S	*	10/1998	Donalies	D12/162
D402,696	S	*	12/1998	Rosen	D19/52
D407,453	S	*	3/1999	Rashman	D20/27
D409,960	S	*	5/1999	Young	D12/162
D415,457	S	*	10/1999	Young et al.	D12/162
D416,943	S	*	11/1999	Kalgren	D20/13
6,007,033	A	*	12/1999	Casson et al.	248/224.7
D419,505	S		1/2000	Deerman		
6,019,386	A	*	2/2000	Morelock	280/507
D426,798	S		6/2000	Peroni		
6,164,680	A	*	12/2000	Kluhsman	280/507
D438,908	S	*	3/2001	Najmi	D20/28

D438,909	S	*	3/2001	Najmi	D20/28
6,199,892	B1		3/2001	Dahl		
D443,655	S	*	6/2001	Chaikel et al.	D20/27
6,260,874	B1	*	7/2001	Smith et al.	280/507
6,263,604	B1	*	7/2001	Williams	40/718
D450,638	S	*	11/2001	Calderon	D12/162
D458,195	S	*	6/2002	Beauvais	D12/162
6,412,202	B1	*	7/2002	Oswood	40/591
6,463,686	B1		10/2002	Eisenbraun		

(Continued)

Primary Examiner — T. Chase Nelson

Assistant Examiner — John Windmuller

(74) *Attorney, Agent, or Firm* — Montgomery Patent and Design; Robert C. Montgomery; Joseph T. Yaksich

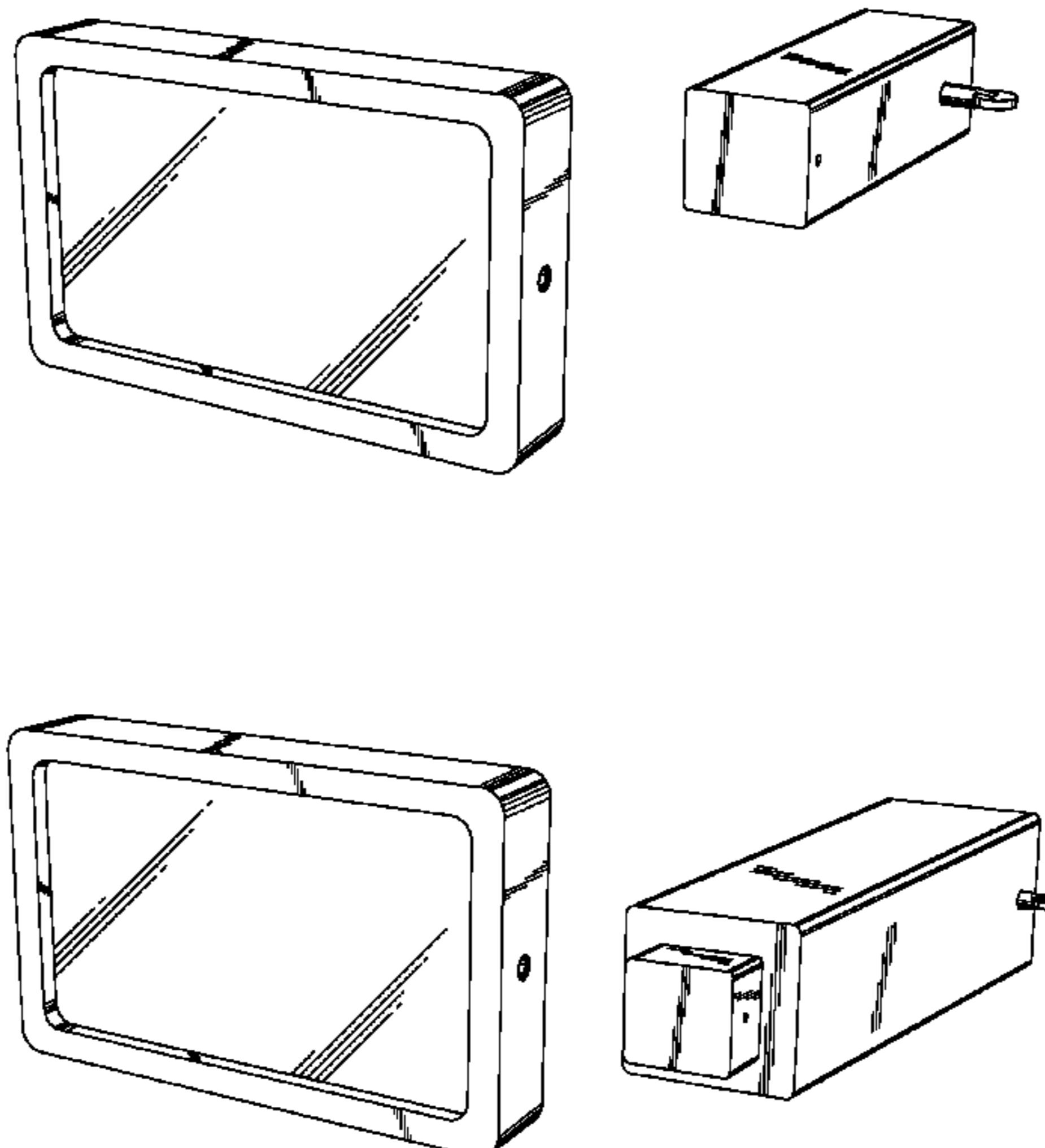
(57) **CLAIM**

The ornamental design for hitch and customizable rectangular hitch cover combination, as shown and described.

DESCRIPTION

FIG. 1 is a front perspective view of a first embodiment of a hitch and customizable rectangular hitch cover combination showing my new design;
 FIG. 2 is a top rear perspective view thereof;
 FIG. 3 is a bottom rear perspective view thereof;
 FIG. 4 is a front perspective view of a second embodiment of a hitch and customizable rectangular hitch cover combination showing my new design;
 FIG. 5 is a top rear perspective view thereof;
 FIG. 6 is a bottom rear perspective view thereof;
 FIG. 7 is a front perspective view of the customizable rectangular hitch cover of both embodiments of the hitch and customizable rectangular hitch cover combination shown separately for ease of disclosure only;
 FIG. 8 is a front elevation view thereof;
 FIG. 9 is a rear elevation view thereof;
 FIG. 10 is a right side elevation view thereof;
 FIG. 11 is a left side elevation view thereof;
 FIG. 12 is a top plan view thereof; and,
 FIG. 13 is a bottom plan view thereof.

1 Claim, 10 Drawing Sheets



US D641,294 S

Page 2

U.S. PATENT DOCUMENTS

D466,845 S *	12/2002	Kutzscher	D12/162	D528,949 S *	9/2006	Tirey	D12/162
6,557,284 B2 *	5/2003	Nolan	40/574	7,125,035 B1 *	10/2006	Huenefeld	280/507
D478,935 S *	8/2003	Gearhart et al.	D20/10	D543,590 S *	5/2007	Feibelman et al.	D20/22
D480,338 S	10/2003	Harwood		D576,526 S *	9/2008	McBain	D12/162
D483,704 S *	12/2003	Fandrich	D12/162	7,455,313 B2 *	11/2008	Yokosh et al.	280/507
6,655,822 B1 *	12/2003	Sylvester	362/485	D609,782 S *	2/2010	Whatley	D23/249
D489,031 S *	4/2004	Leibman	D12/193	D618,598 S *	6/2010	Edwards	D12/162
D496,068 S *	9/2004	Mandel	D19/36	7,874,842 B2 *	1/2011	Beno	434/408
6,788,190 B2 *	9/2004	Bishop	340/435	2005/0121880 A1 *	6/2005	Santangelo	280/507
D506,074 S *	6/2005	Chen et al.	D6/300	2005/0132625 A1 *	6/2005	Schwester	40/564
6,910,705 B1 *	6/2005	Harwood et al.	280/507	2010/0058632 A1 *	3/2010	Love	40/591
D519,424 S	4/2006	Fisher					

* cited by examiner

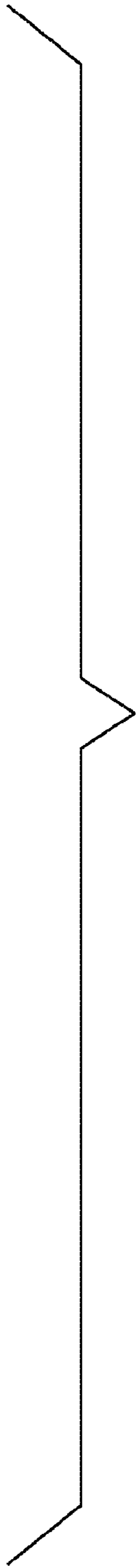
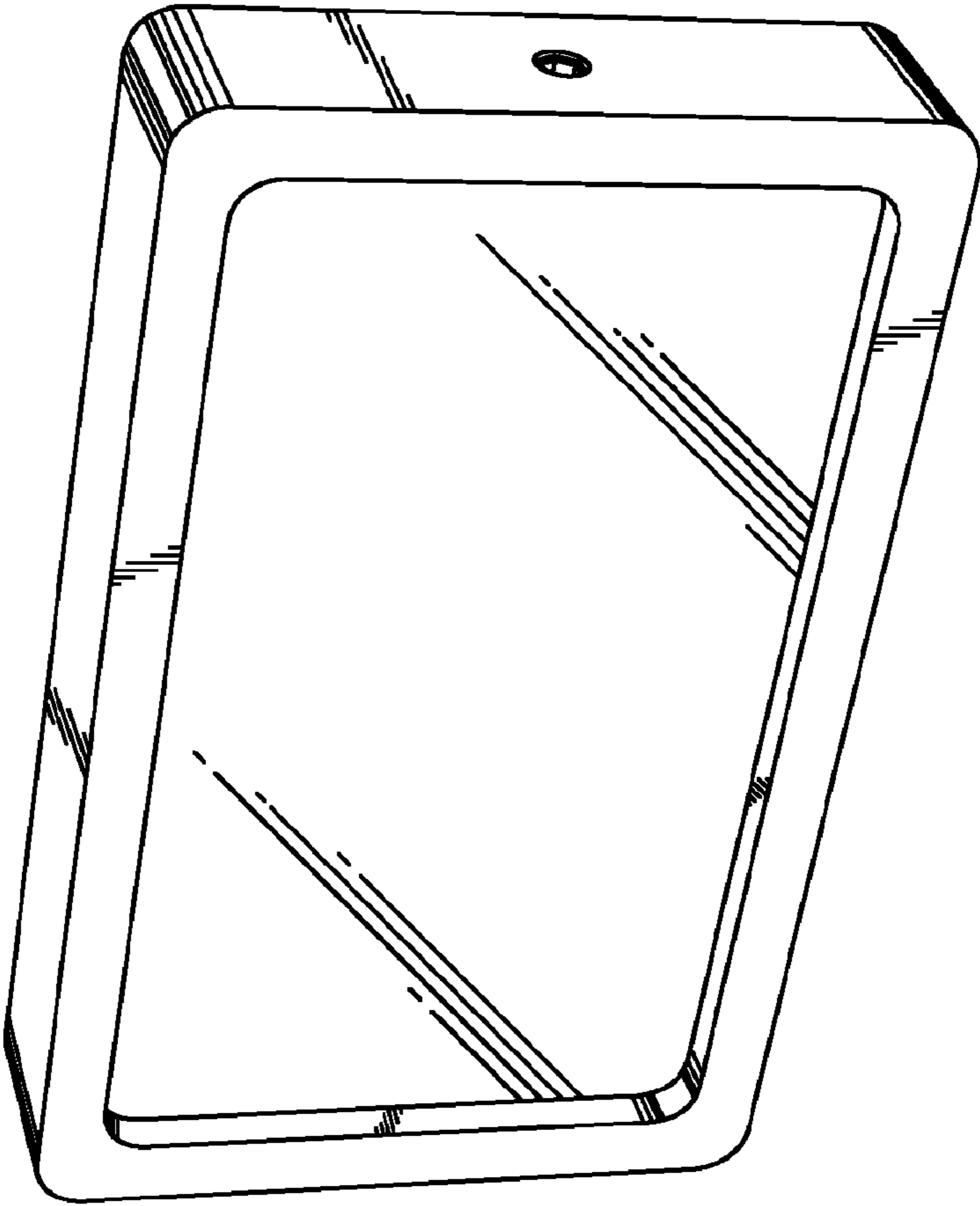
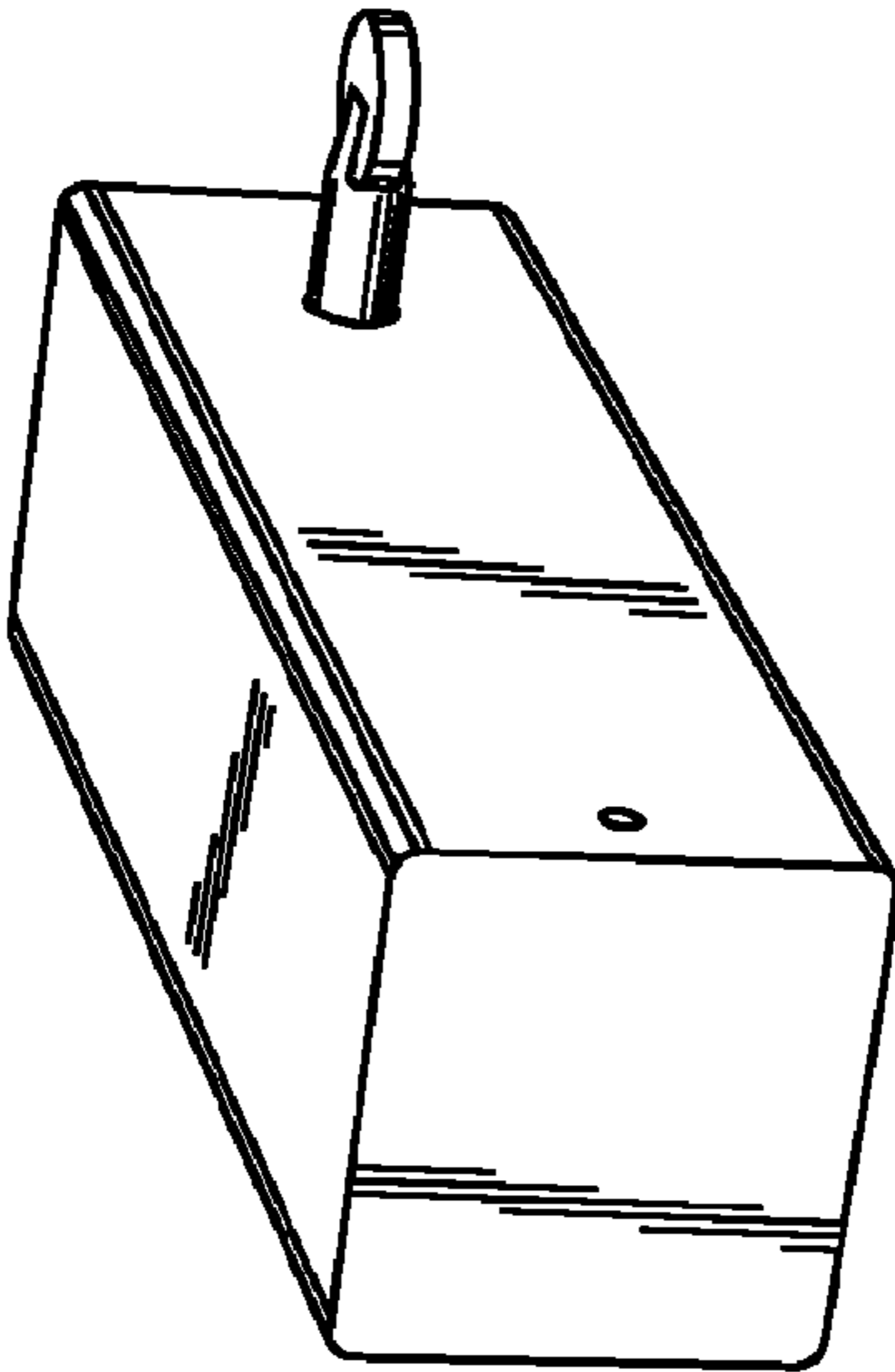


Fig. 1

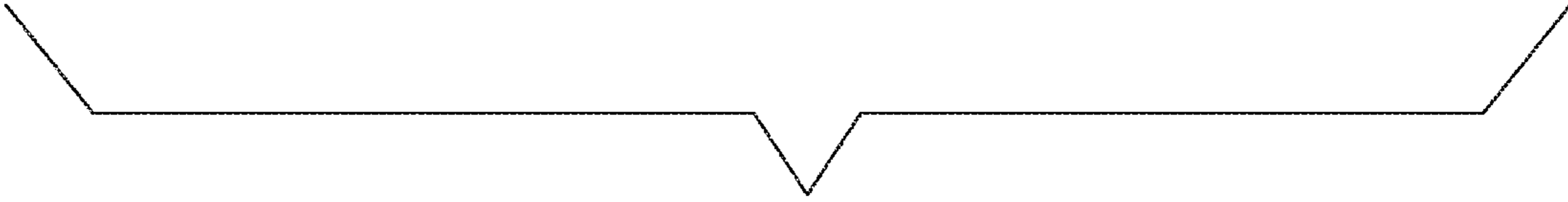
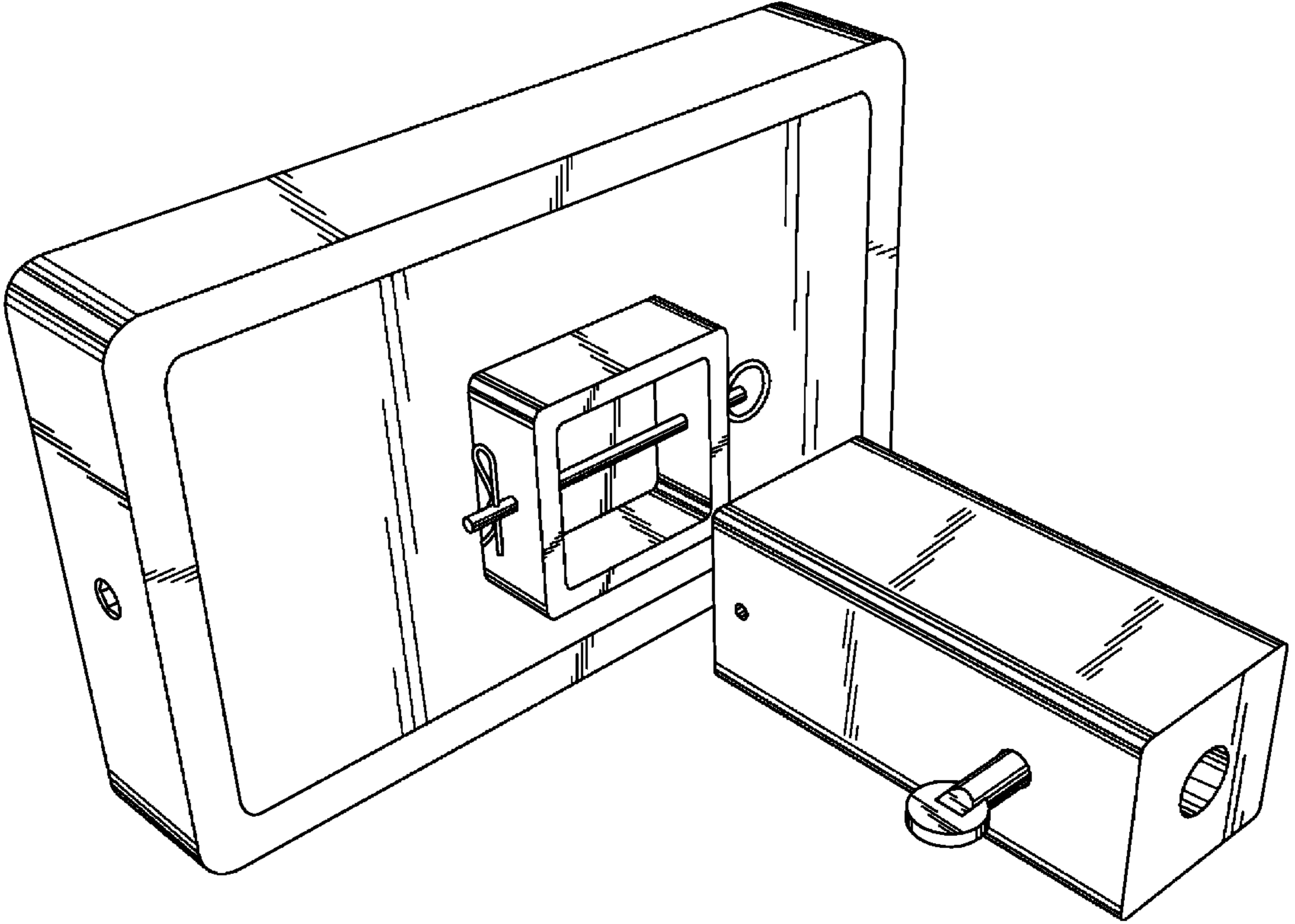


Fig. 2

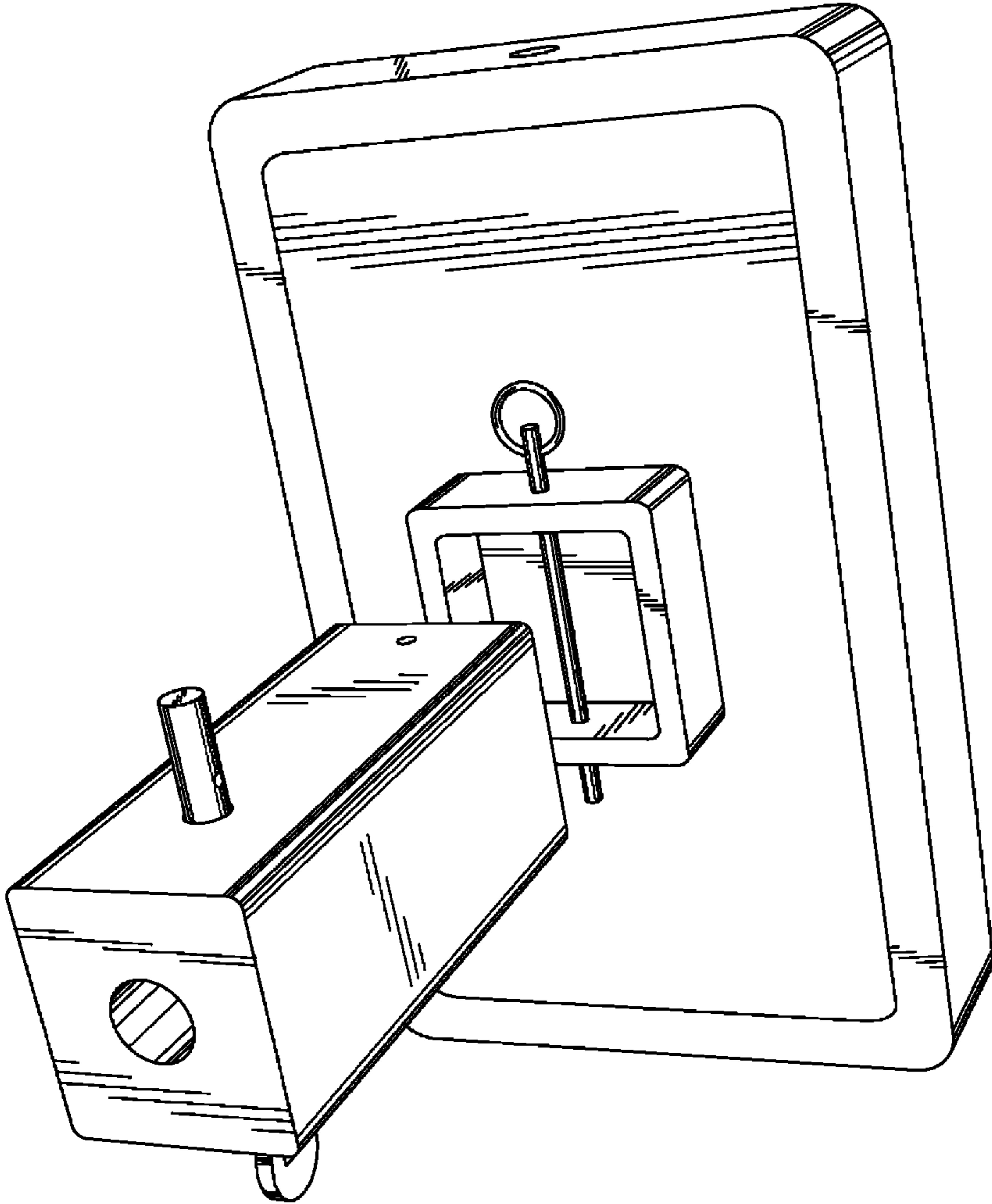


Fig. 3

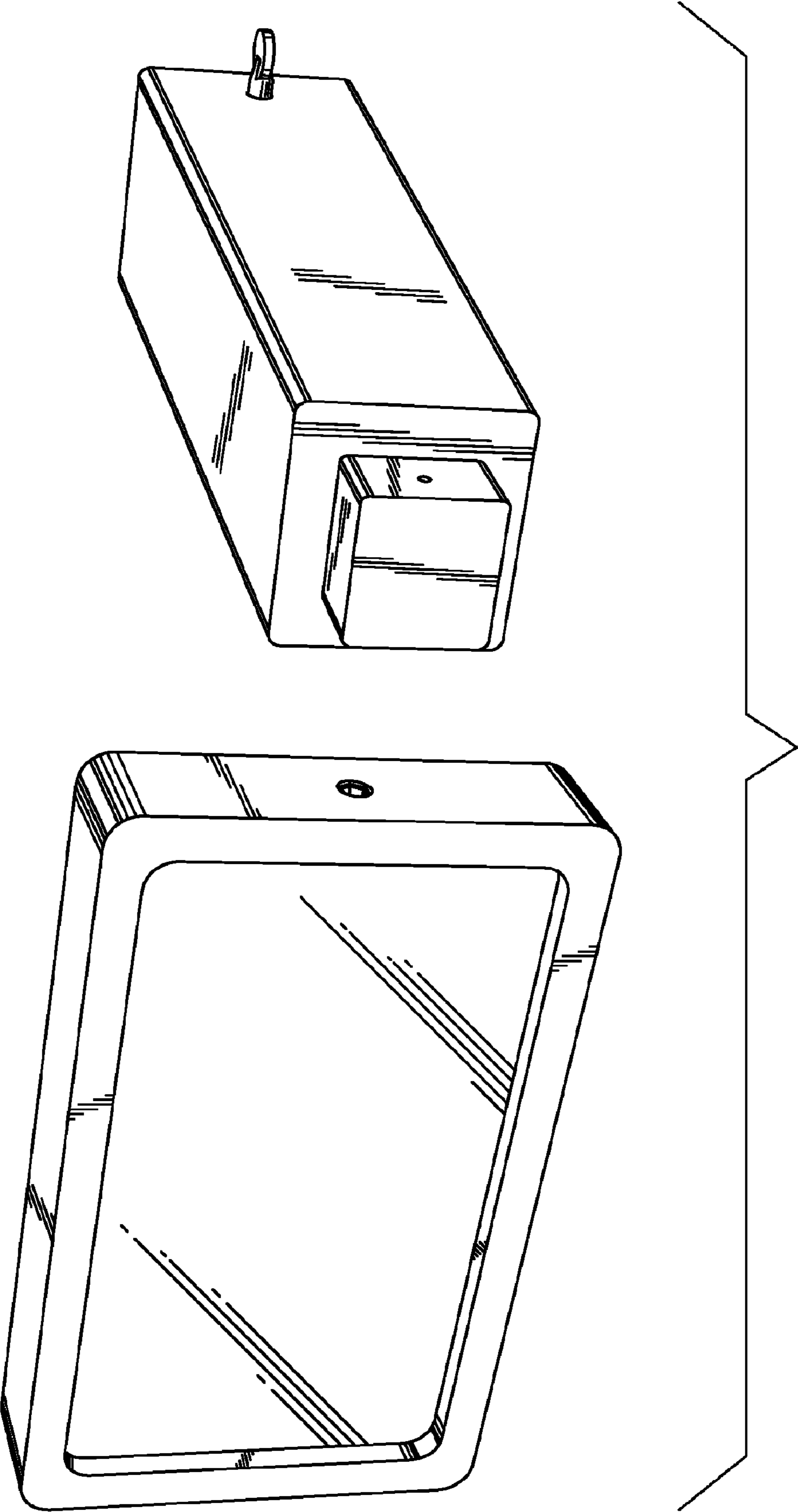


Fig. 4

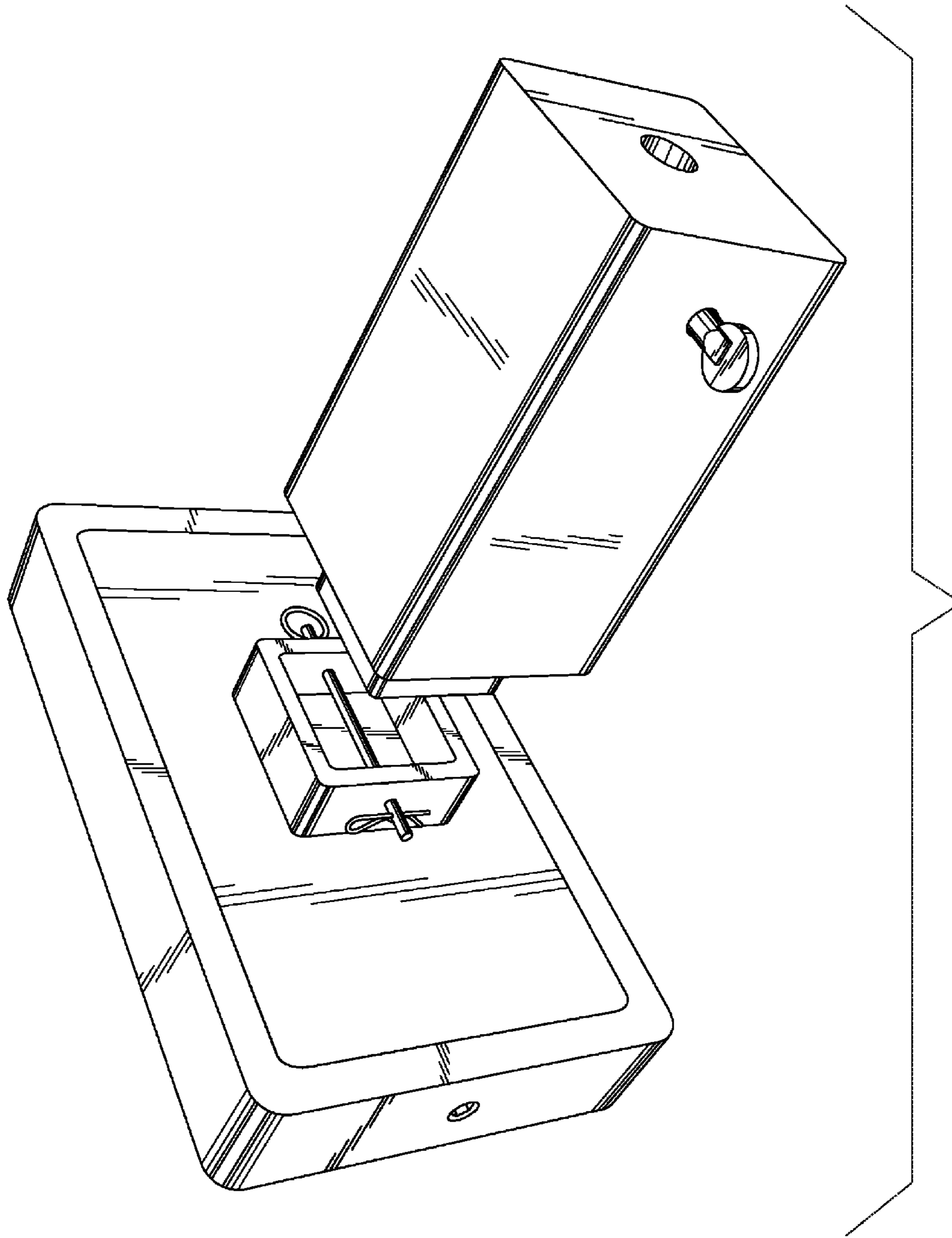


Fig. 5

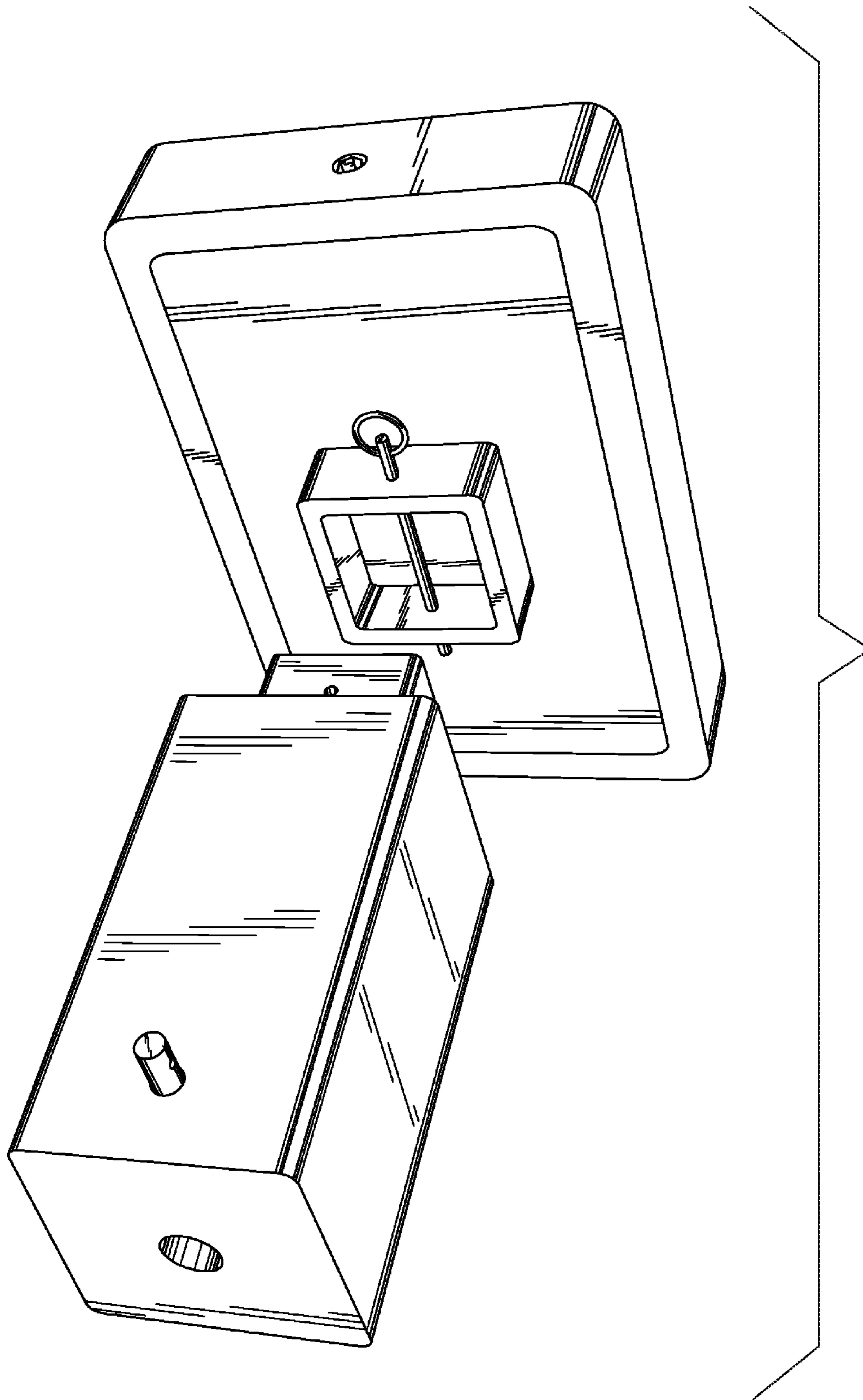


Fig. 6

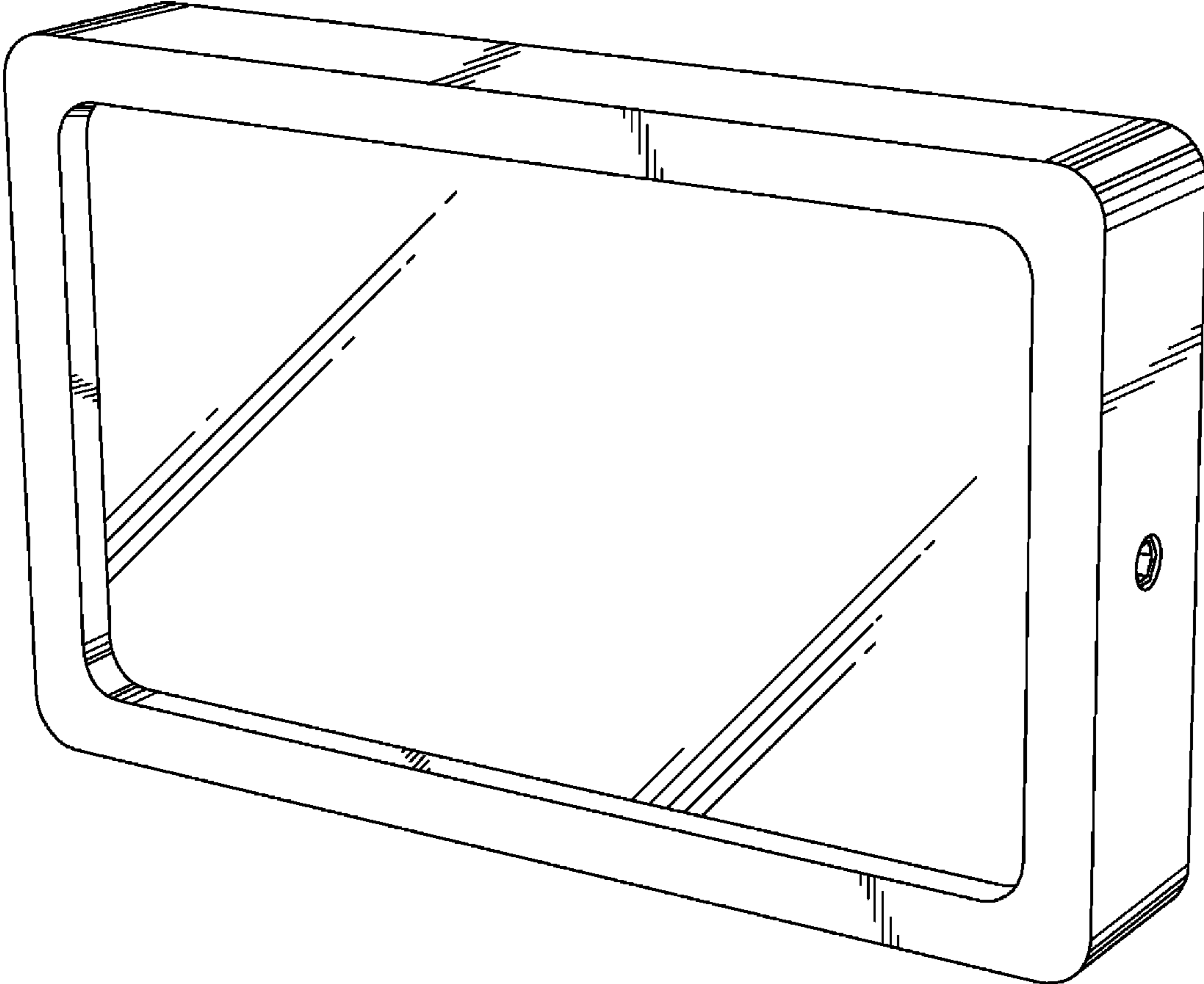


Fig. 7

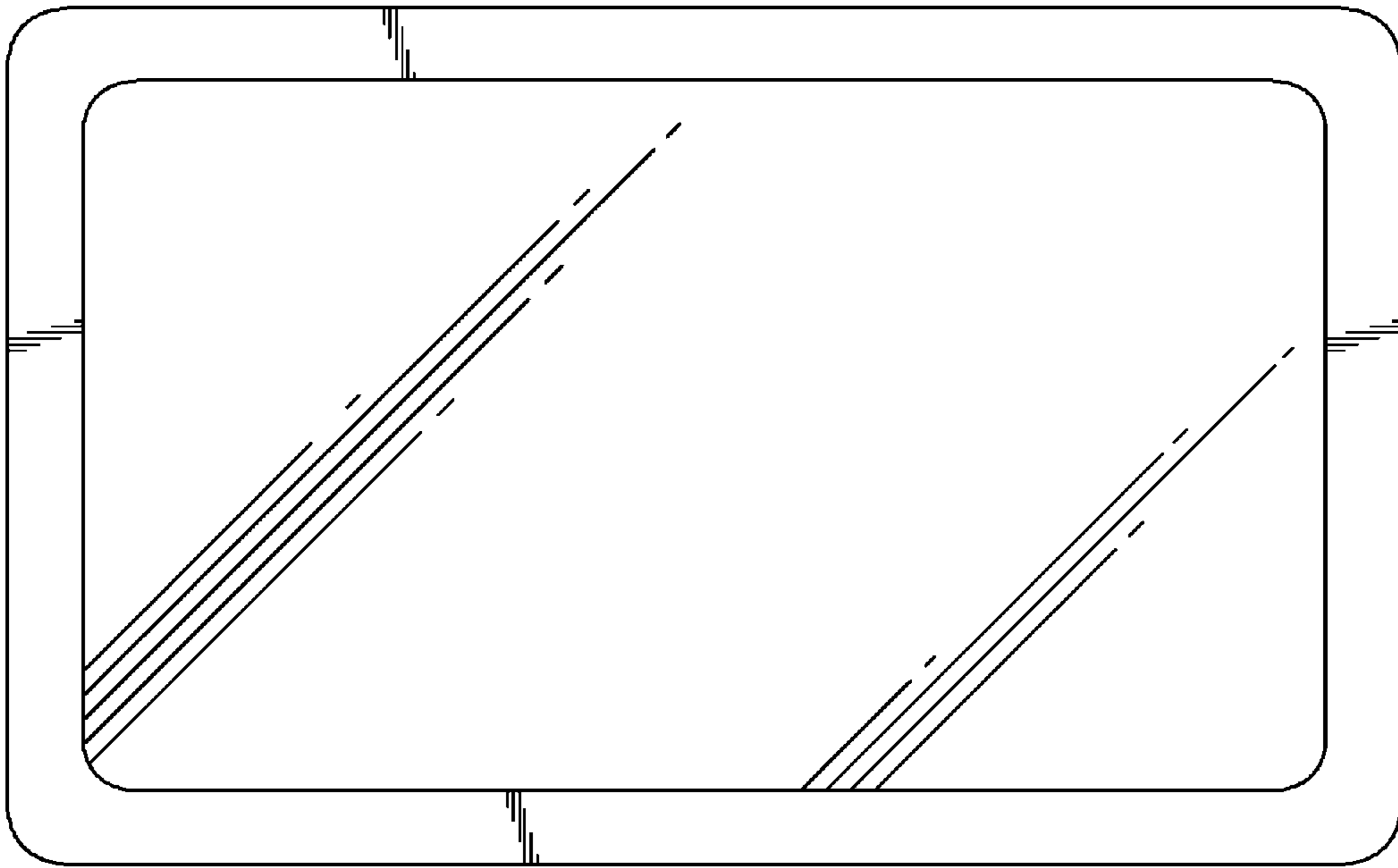


Fig. 8

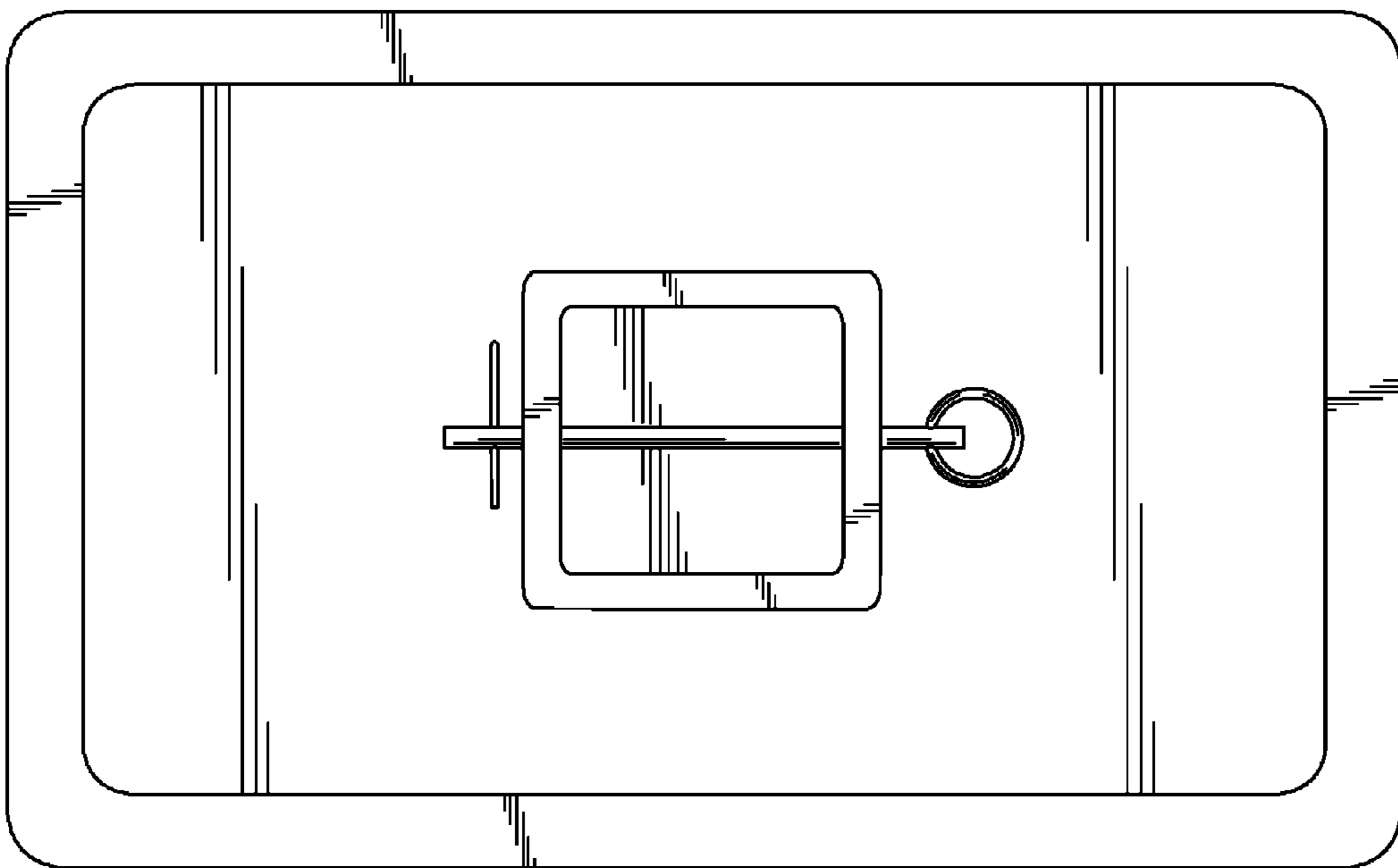


Fig. 9

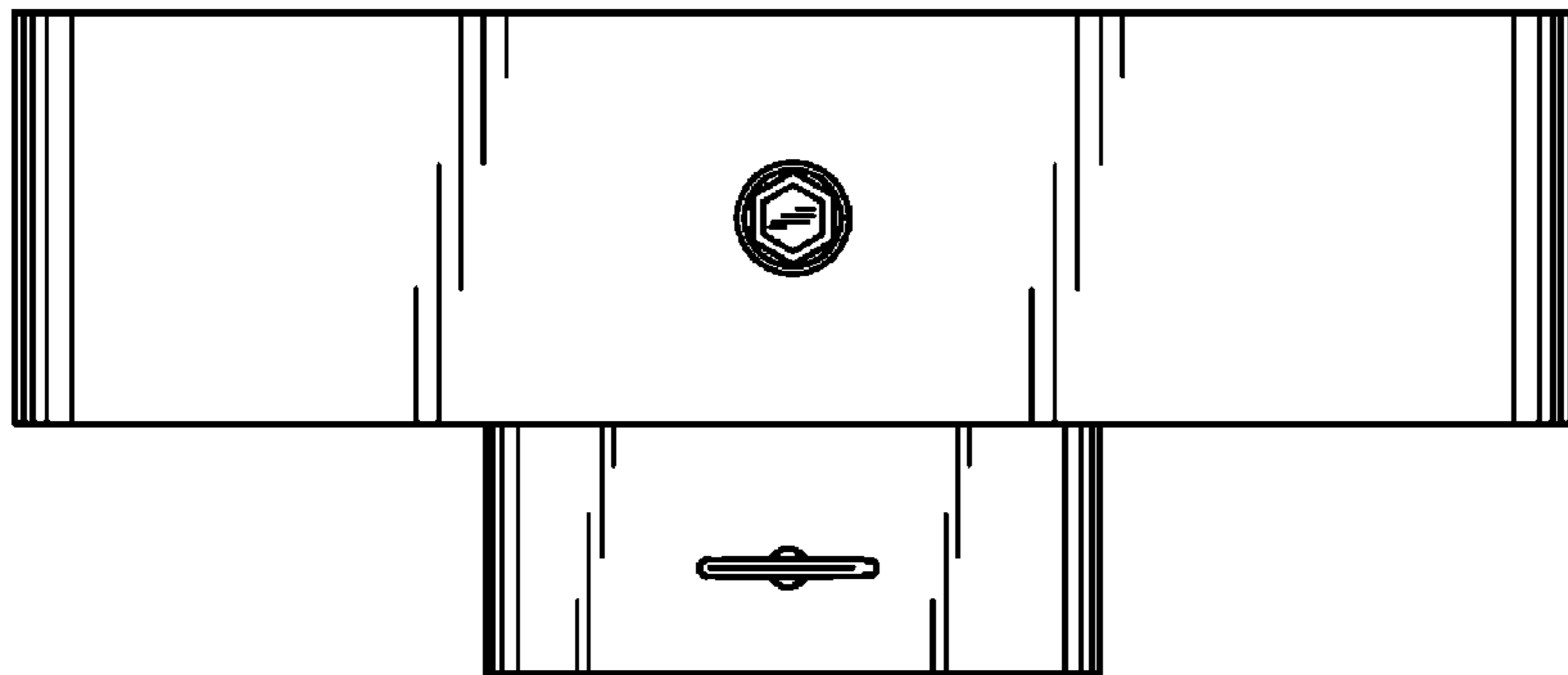


Fig. 11

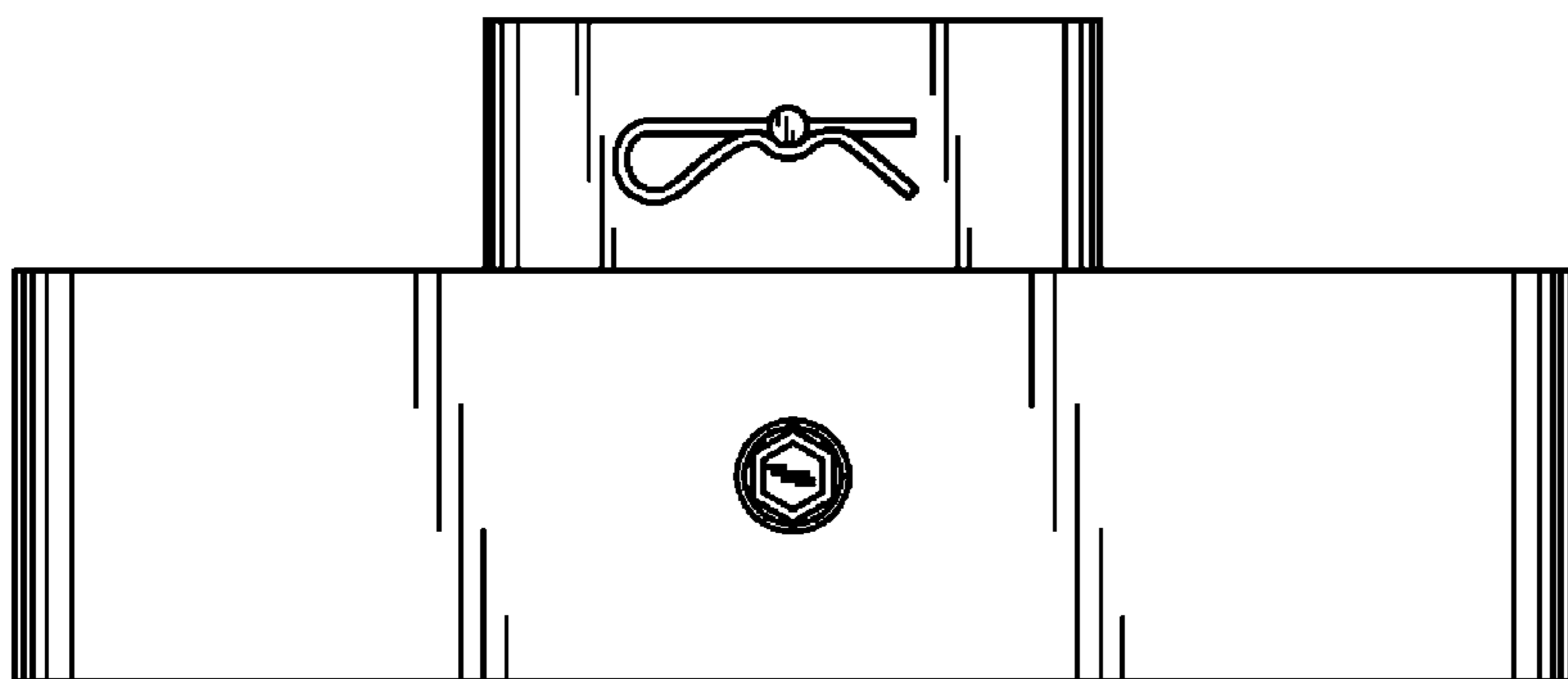


Fig. 10

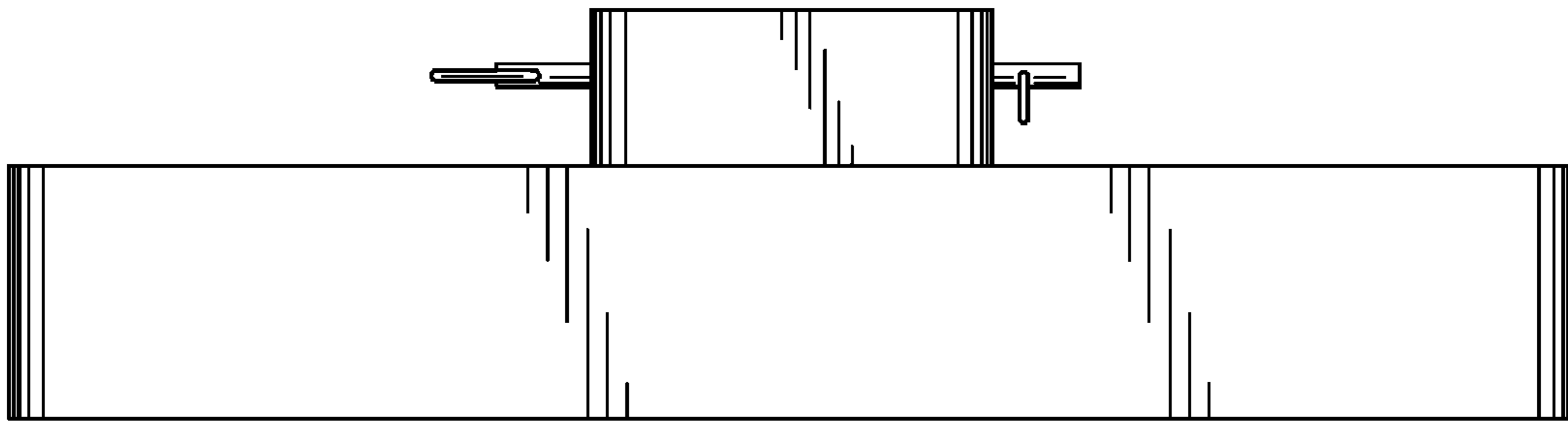


Fig. 12

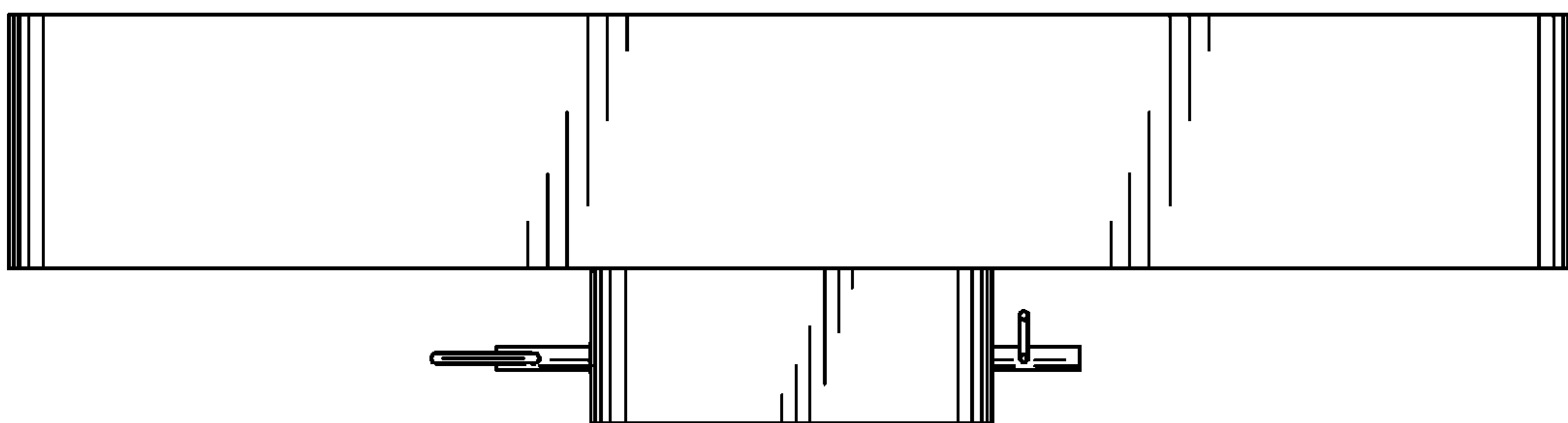


Fig. 13