



US00D641293S

(12) **United States Design Patent**  
**Tsai**

(10) **Patent No.:** **US D641,293 S**  
(45) **Date of Patent:** **\*\* Jul. 12, 2011**

(54) **STROLLER**

(75) Inventor: **Yung-Chang Tsai**, Yongkang (TW)  
(73) Assignee: **Sin Yuan Electronic Co., Ltd.**, Tainan (TW)

(\*\*) Term: **14 Years**

(21) Appl. No.: **29/379,415**

(22) Filed: **Nov. 19, 2010**

(51) **LOC (9) Cl.** ..... **12-12**

(52) **U.S. Cl.** ..... **D12/129**

(58) **Field of Classification Search** ..... D12/128-133;  
280/62, 647-650, 29, 200, 47.38, 250.1,  
280/259, 642, 658; 297/DIG. 4; 296/65.03,  
296/65.04; 224/209; 414/921; 135/65-67,  
135/74; D6/360, 368

See application file for complete search history.

(56) **References Cited**

U.S. PATENT DOCUMENTS

4,650,252	A *	3/1987	Kasai	297/467
D385,514	S *	10/1997	Eyman et al.	D12/129
D409,530	S *	5/1999	Chen et al.	D12/129
D419,113	S *	1/2000	Everett	D12/129
6,402,166	B1 *	6/2002	Chiu	280/47.38

\* cited by examiner

*Primary Examiner* — Ian Simmons

*Assistant Examiner* — Charles Hanson

(74) *Attorney, Agent, or Firm* — Alan Kamrath; Kamrath & Associates PA

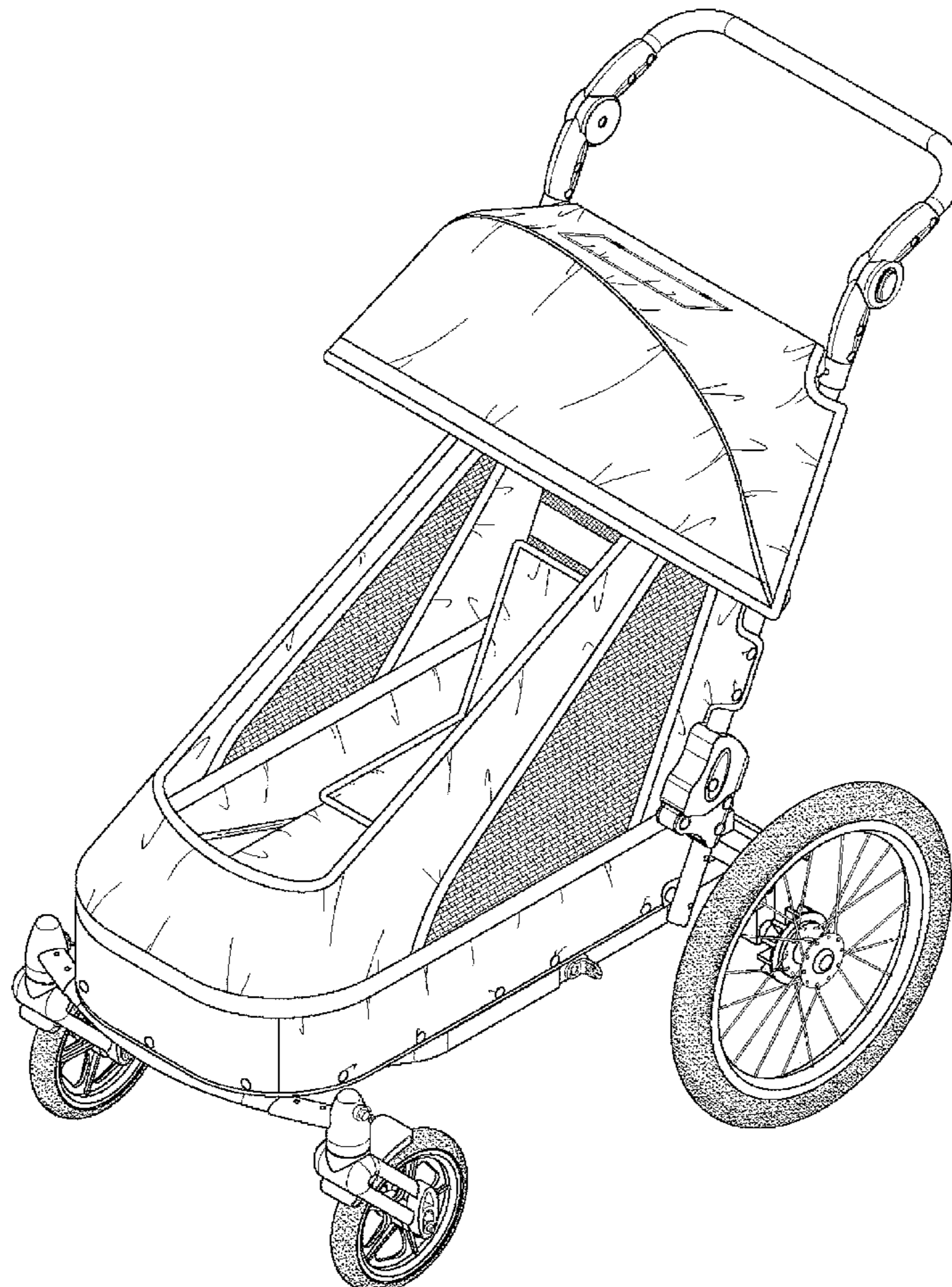
(57) **CLAIM**

The ornamental design for a stroller, as shown and described.

**DESCRIPTION**

FIG. 1 is a perspective view of a stroller showing my design;  
FIG. 2 is a front elevational view thereof;  
FIG. 3 is a rear elevational view thereof;  
FIG. 4 is a left side elevational view thereof;  
FIG. 5 is a right side elevational view thereof;  
FIG. 6 is a top plan view thereof; and,  
FIG. 7 is a bottom plan view thereof.

**1 Claim, 7 Drawing Sheets**



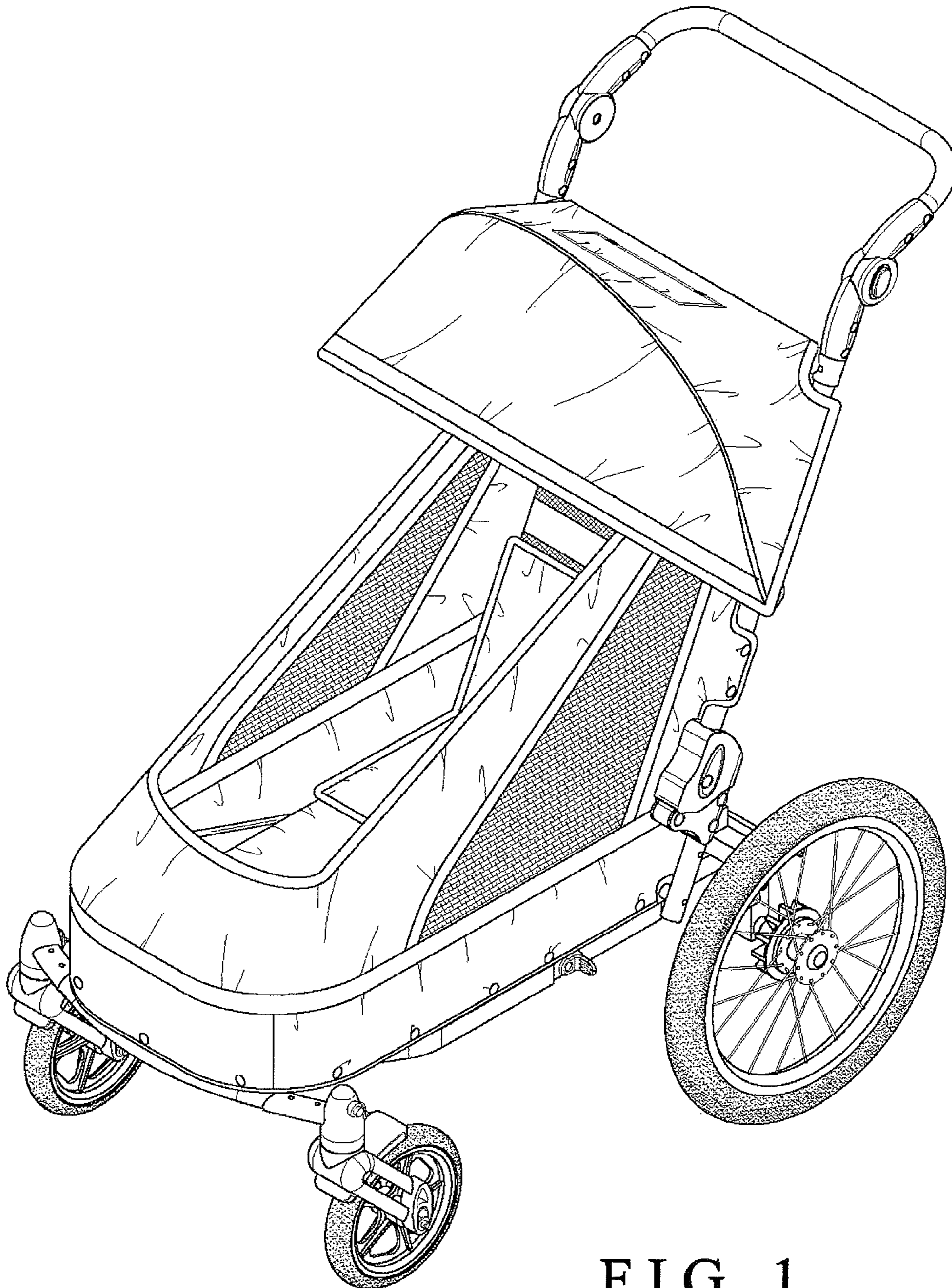


FIG. 1



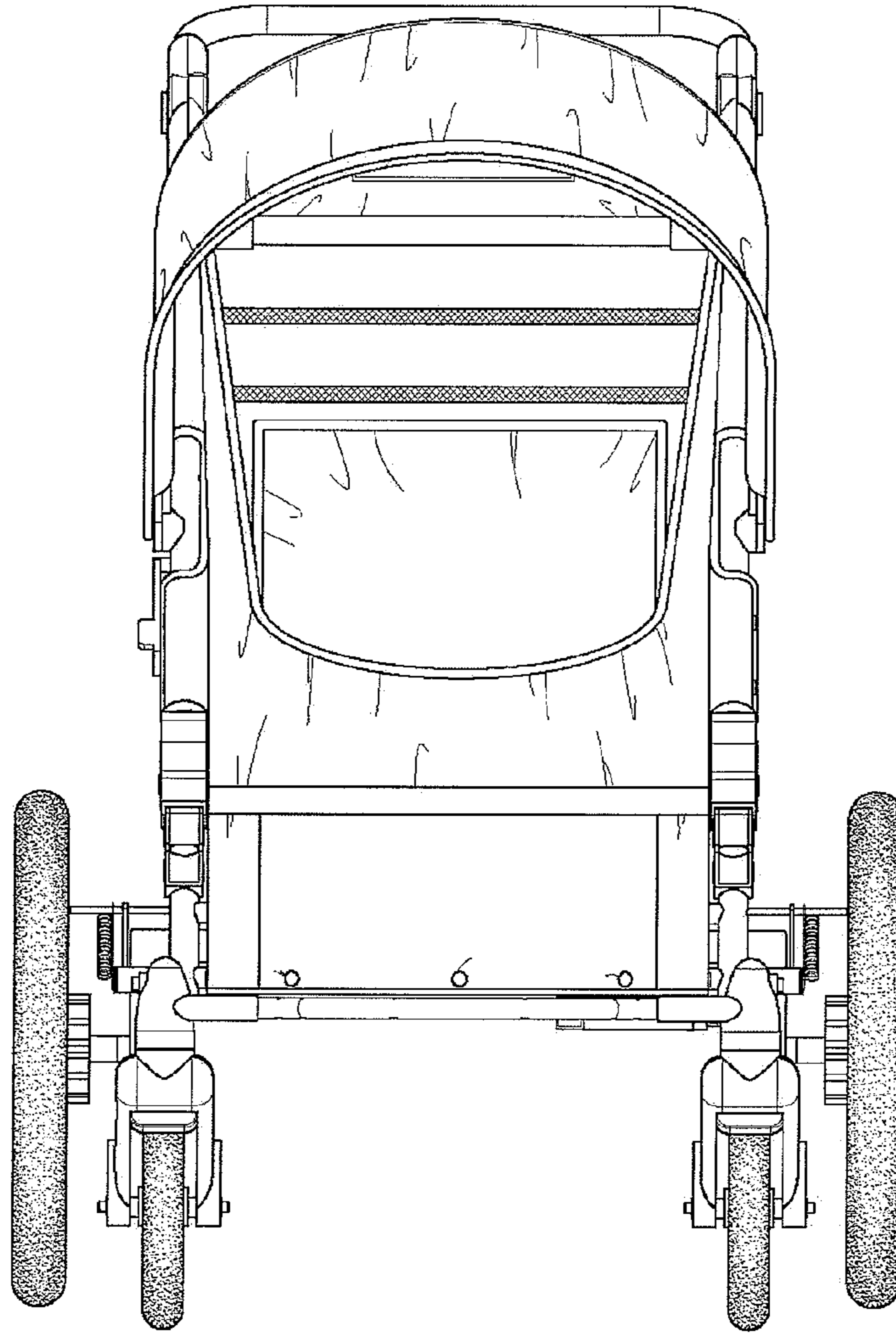


FIG. 2

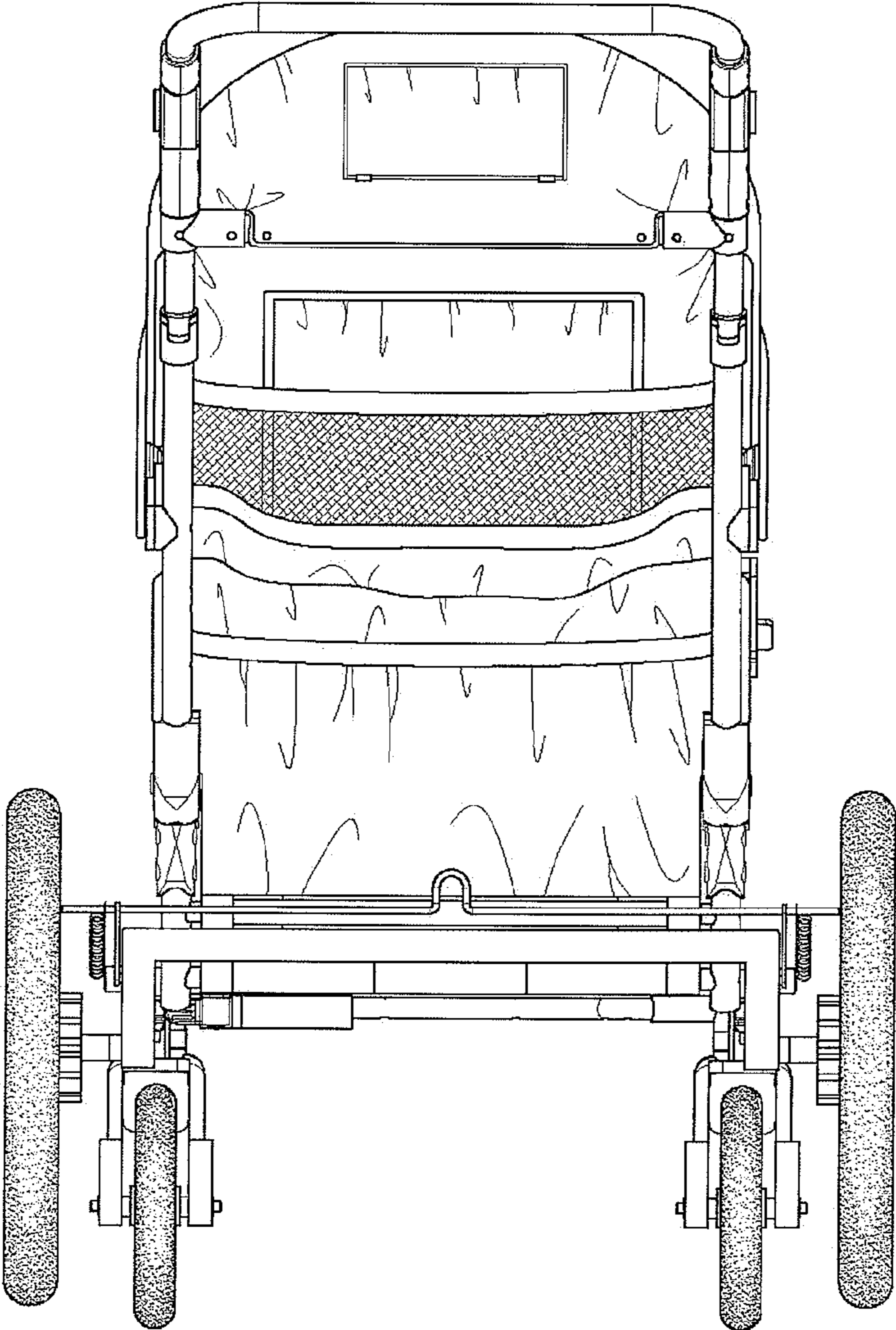


FIG. 3

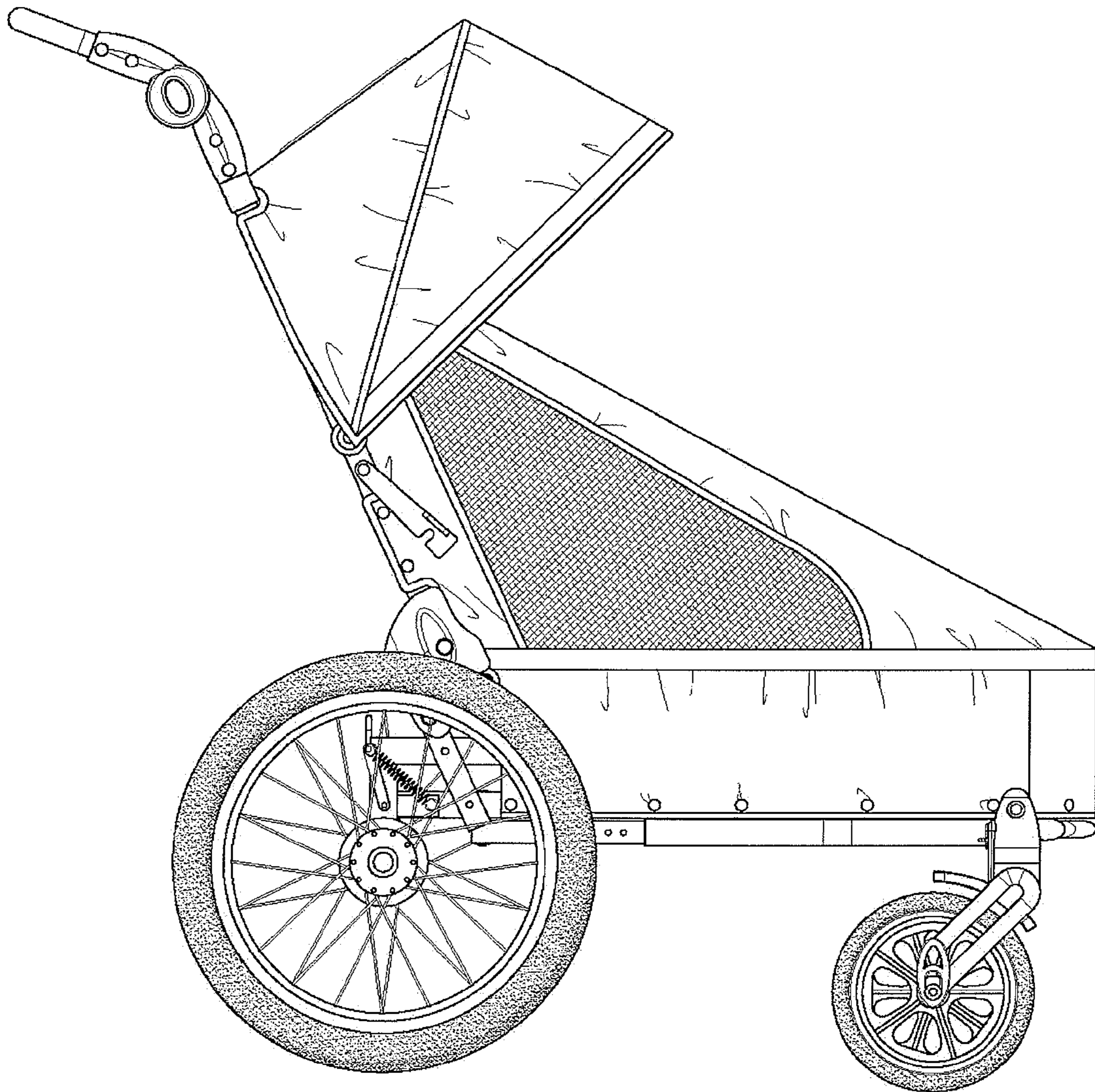


FIG. 4



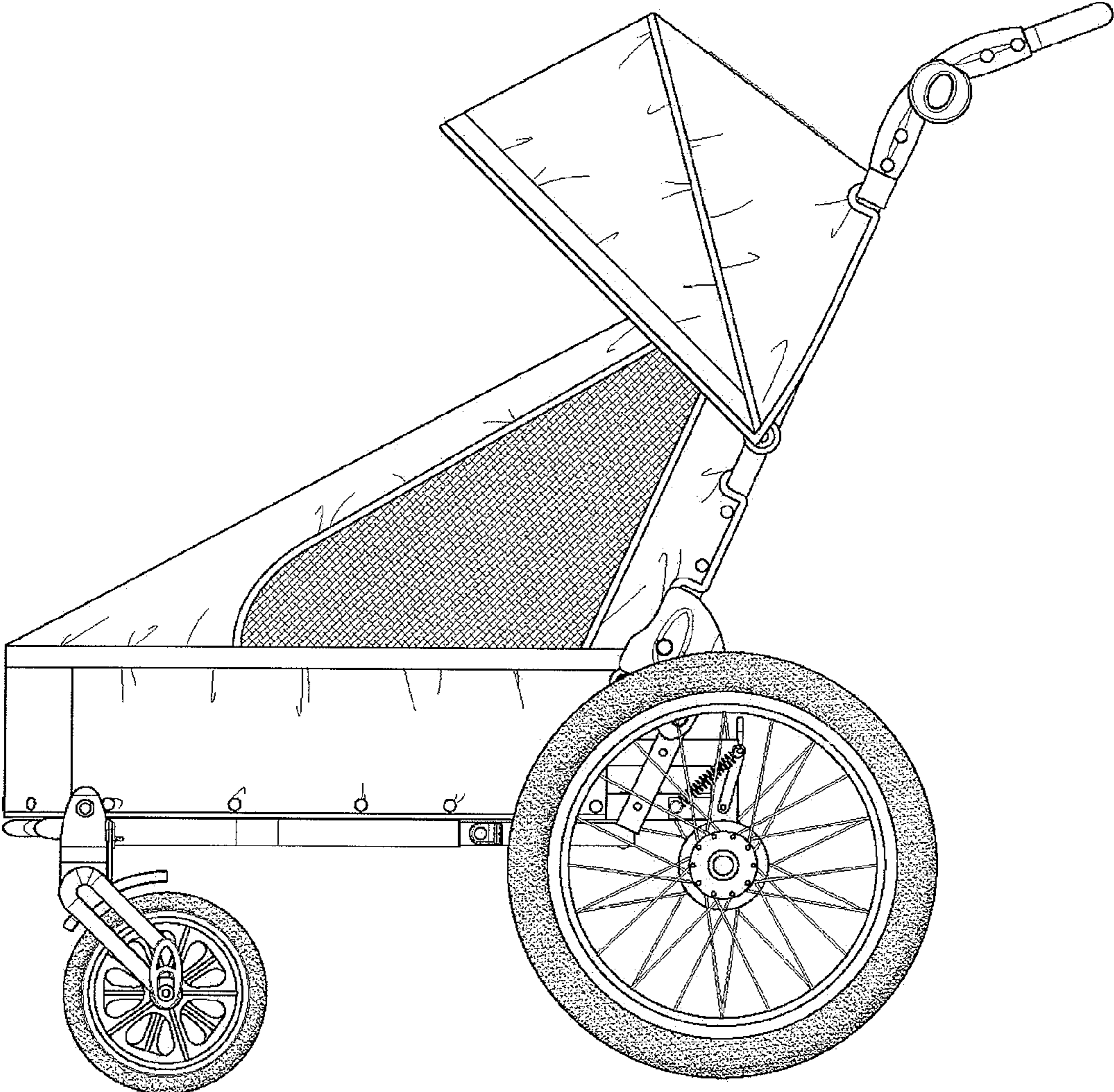


FIG. 5

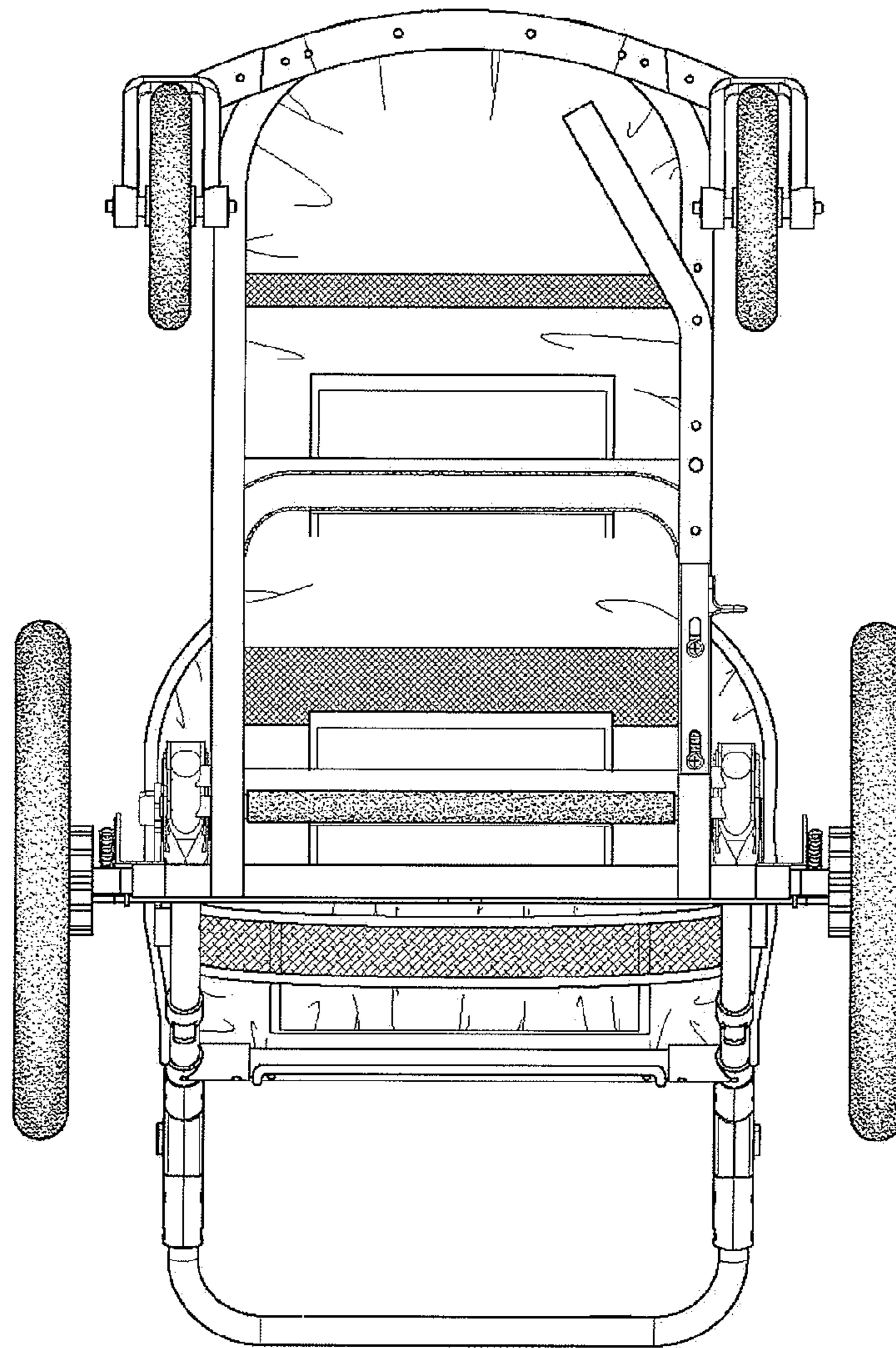


FIG. 6

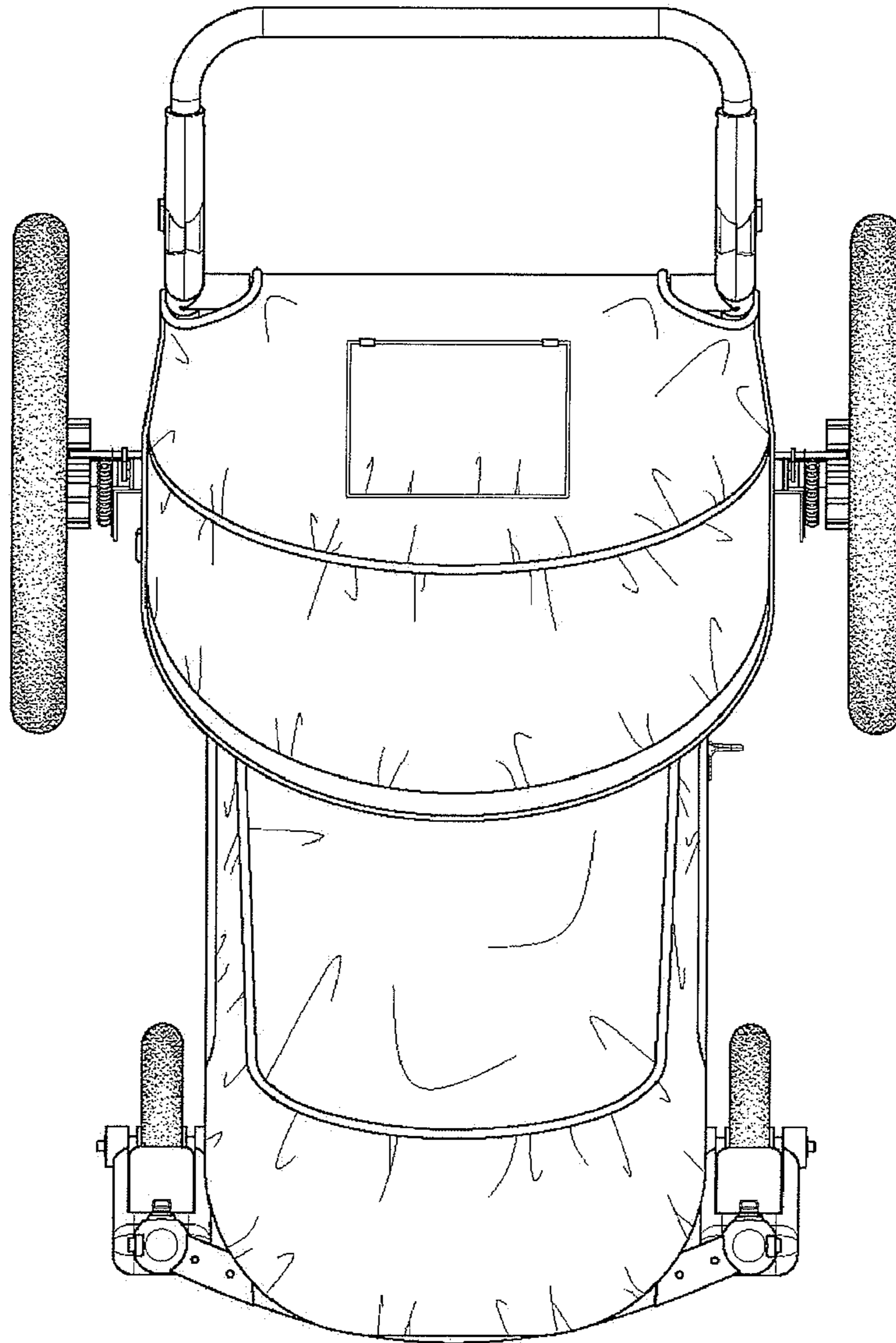


FIG. 7