



US00D641288S

(12) **United States Design Patent**
Sun

(10) **Patent No.:** **US D641,288 S**

(45) **Date of Patent:** **** Jul. 12, 2011**

(54) **ALL TERRAIN VEHICLE**

(76) Inventor: **Tao Sun**, Rowland Height, CA (US)

(**) Term: **14 Years**

(21) Appl. No.: **29/372,428**

(22) Filed: **Nov. 17, 2010**

(51) **LOC (9) Cl.** **12-08**

(52) **U.S. Cl.** **D12/87**

(58) **Field of Classification Search** D12/86,
D12/87, 1; D21/424, 433; 296/181.1, 181.5
See application file for complete search history.

(56) **References Cited**

U.S. PATENT DOCUMENTS

D497,324 S *	10/2004	Chestnut et al.	D12/87
D503,658 S *	4/2005	Lu	D12/87
D535,215 S *	1/2007	Turner et al.	D12/87
D549,133 S *	8/2007	LePage	D12/87
D555,036 S *	11/2007	Eck	D12/87
D563,274 S *	3/2008	Ramos	D12/87
D606,900 S *	12/2009	Flores	D12/87
D622,631 S *	8/2010	Lai et al.	D12/87
D625,662 S *	10/2010	Li	D12/87

* cited by examiner

Primary Examiner — Melody N Brown

(74) *Attorney, Agent, or Firm* — Raymond Y. Chan; David and Raymond Patent Firm

(57) **CLAIM**

The ornamental design for an all terrain vehicle, as shown and described.

DESCRIPTION

FIG. 1 is a front perspective view of an all terrain vehicle showing my new design.

FIG. 2 is a front view thereof.

FIG. 3 is a rear view thereof.

FIG. 4 is a left view thereof.

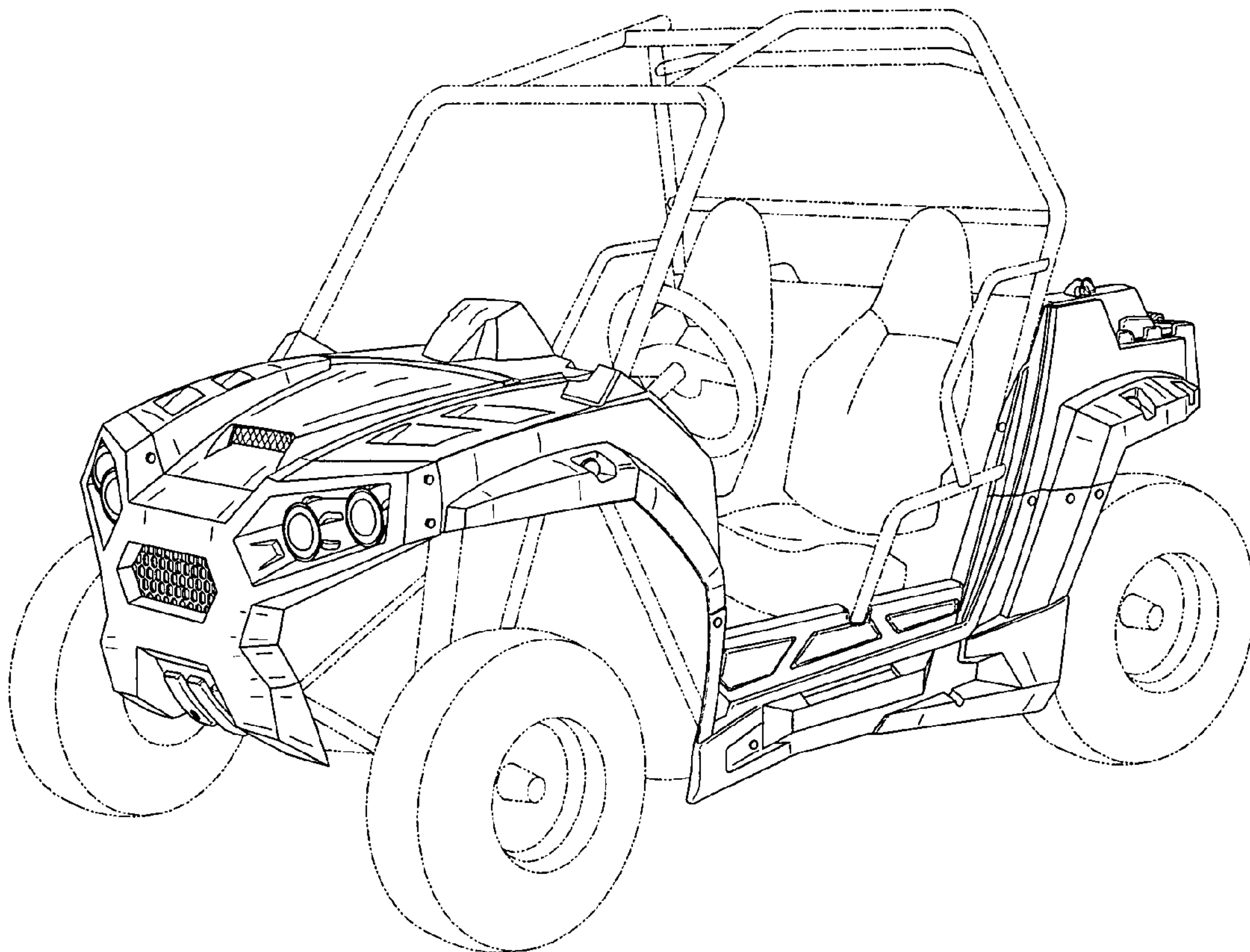
FIG. 5 is a right view thereof.

FIG. 6 is a top view thereof; and,

FIG. 7 is a rear perspective view thereof.

The broken lines shown throughout the drawings are for illustrative purposes only and form no part of the claimed design.

1 Claim, 7 Drawing Sheets



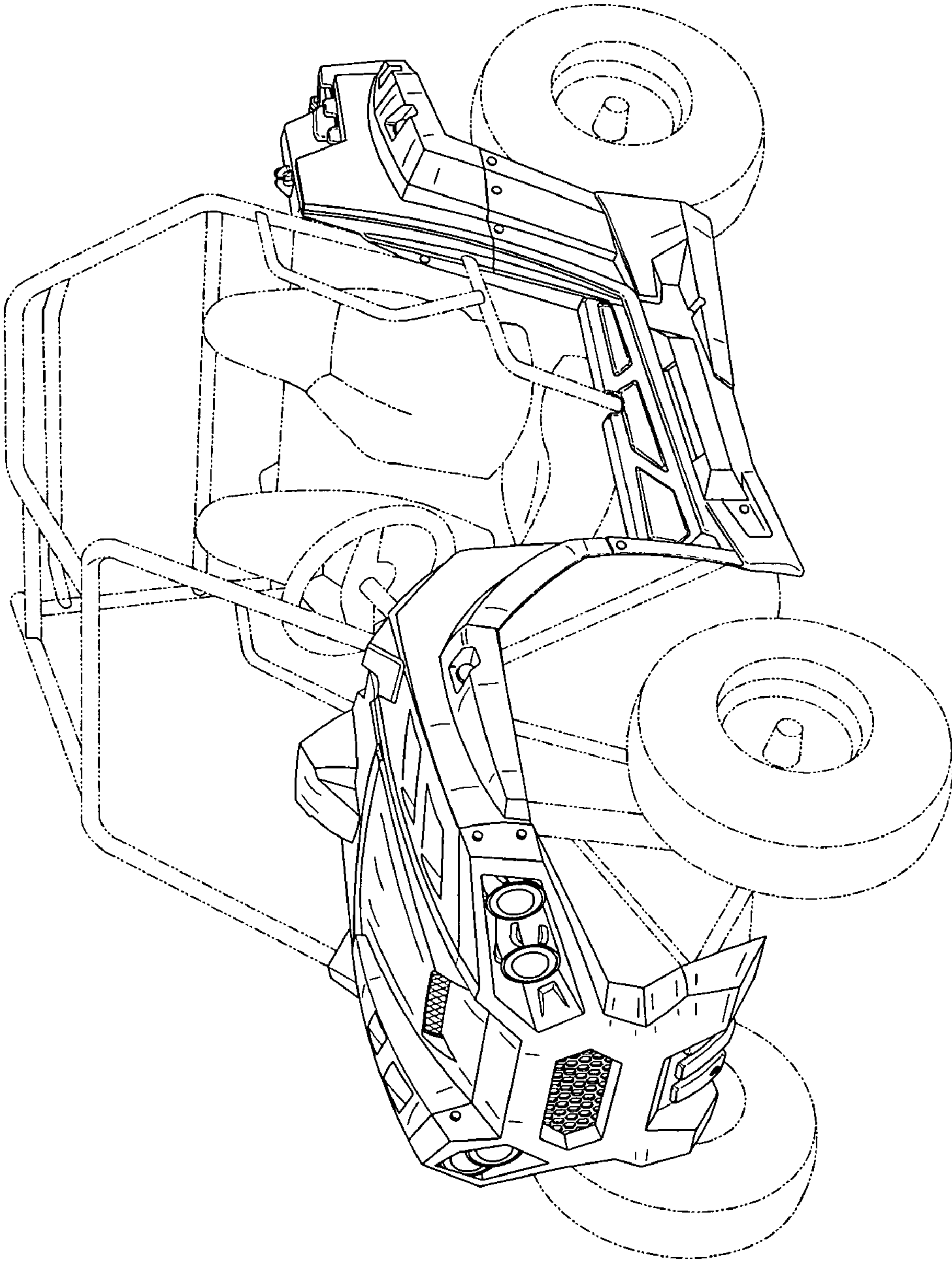


FIG.1

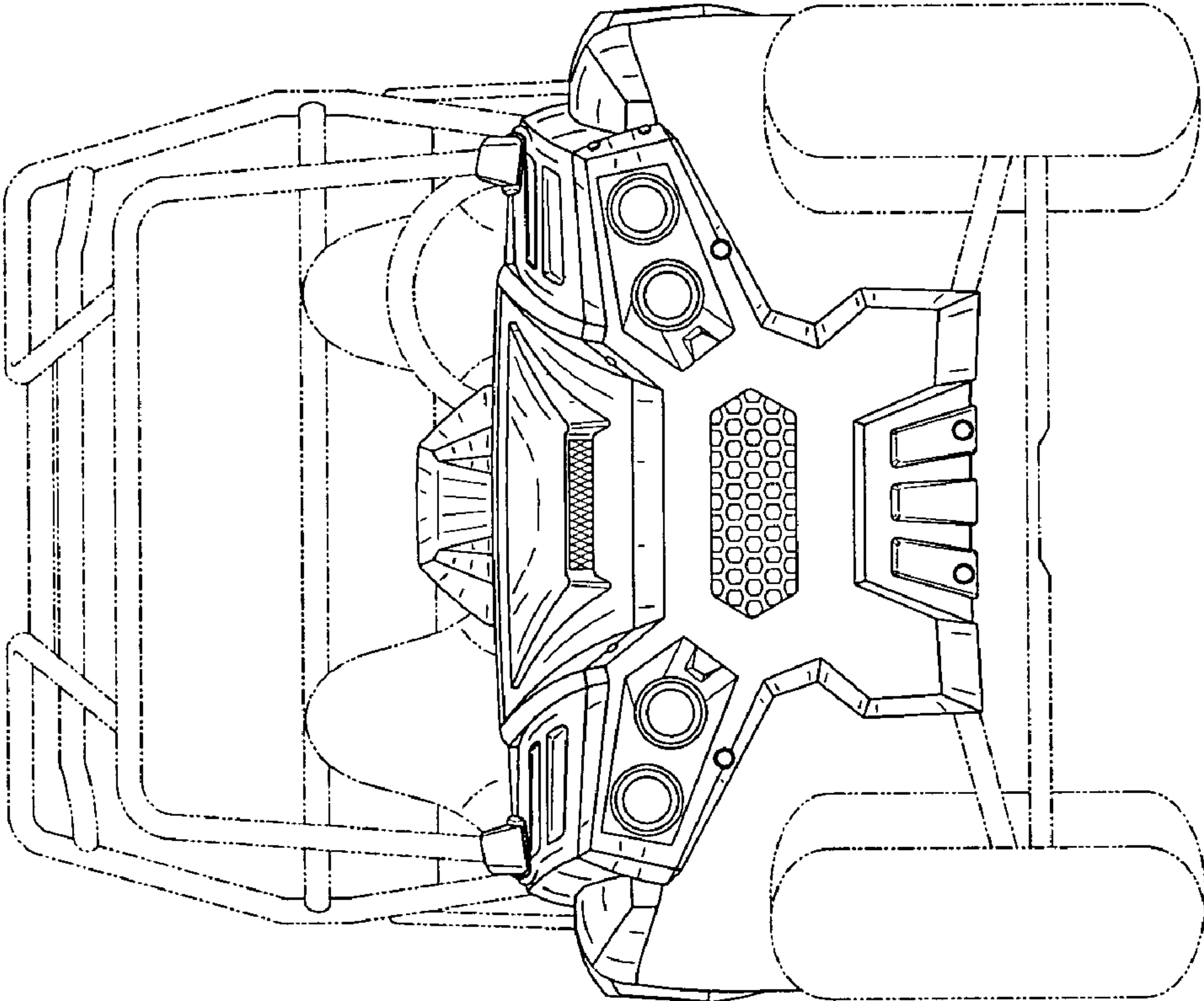


FIG.2

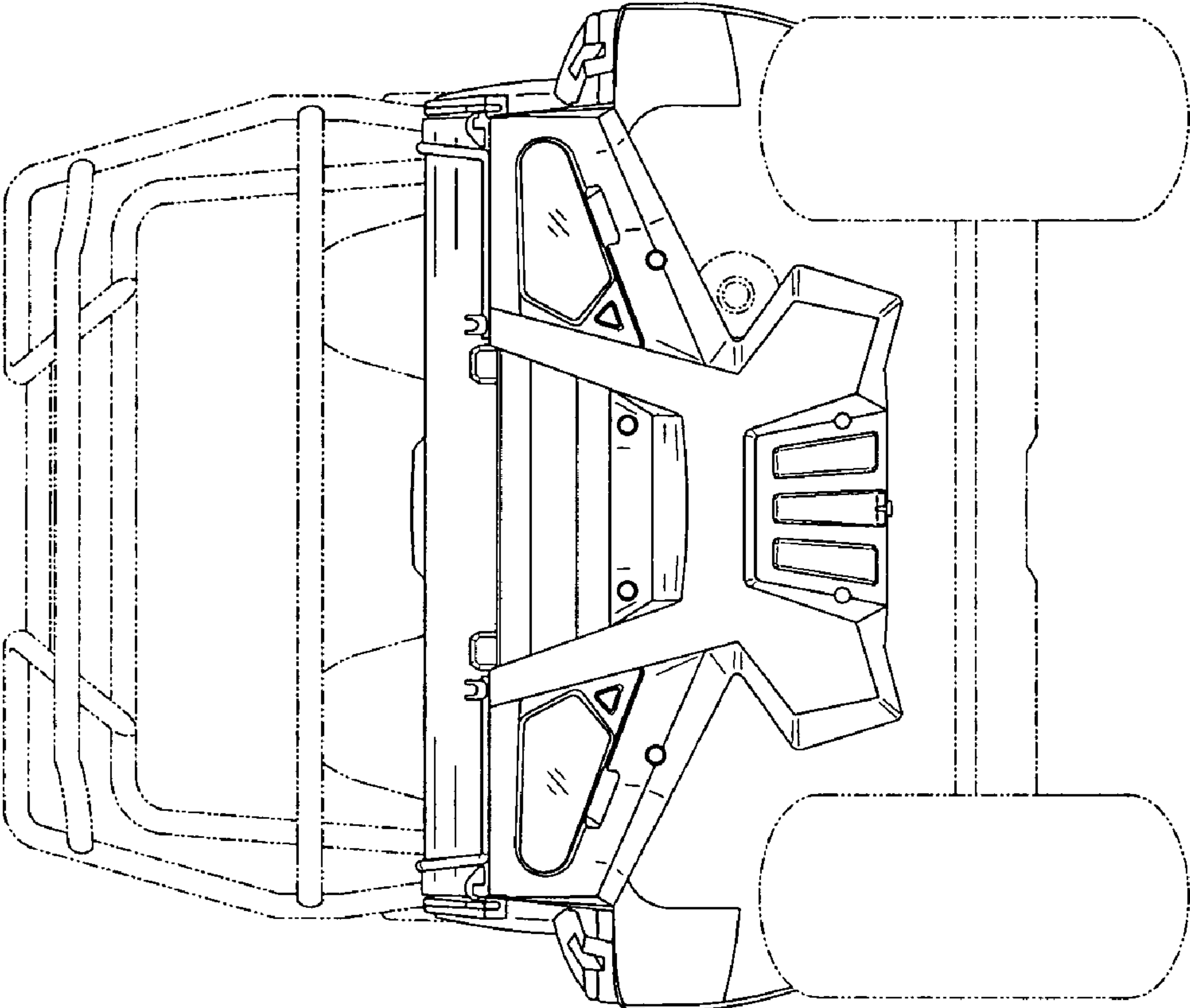


FIG.3

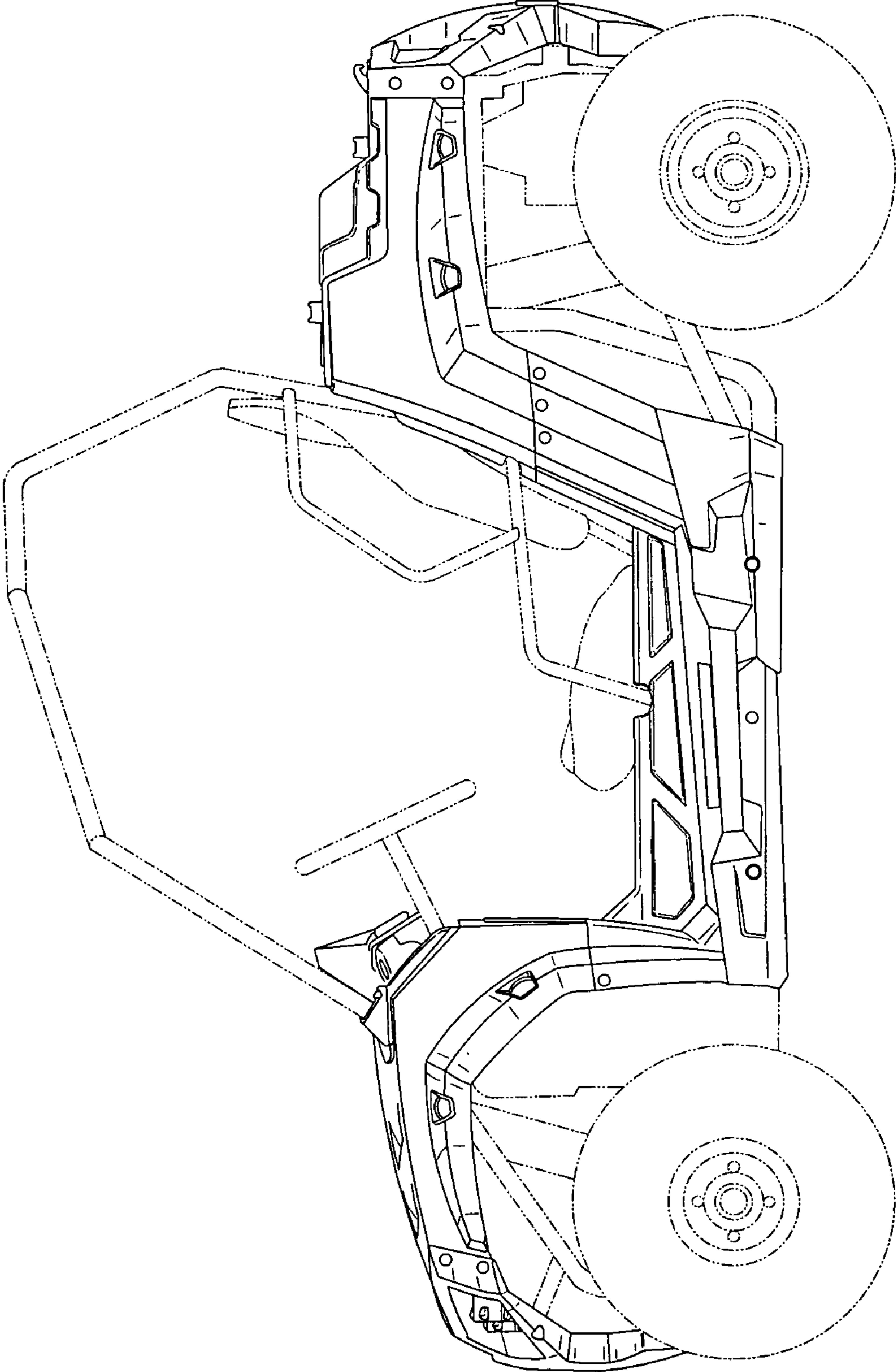


FIG.4

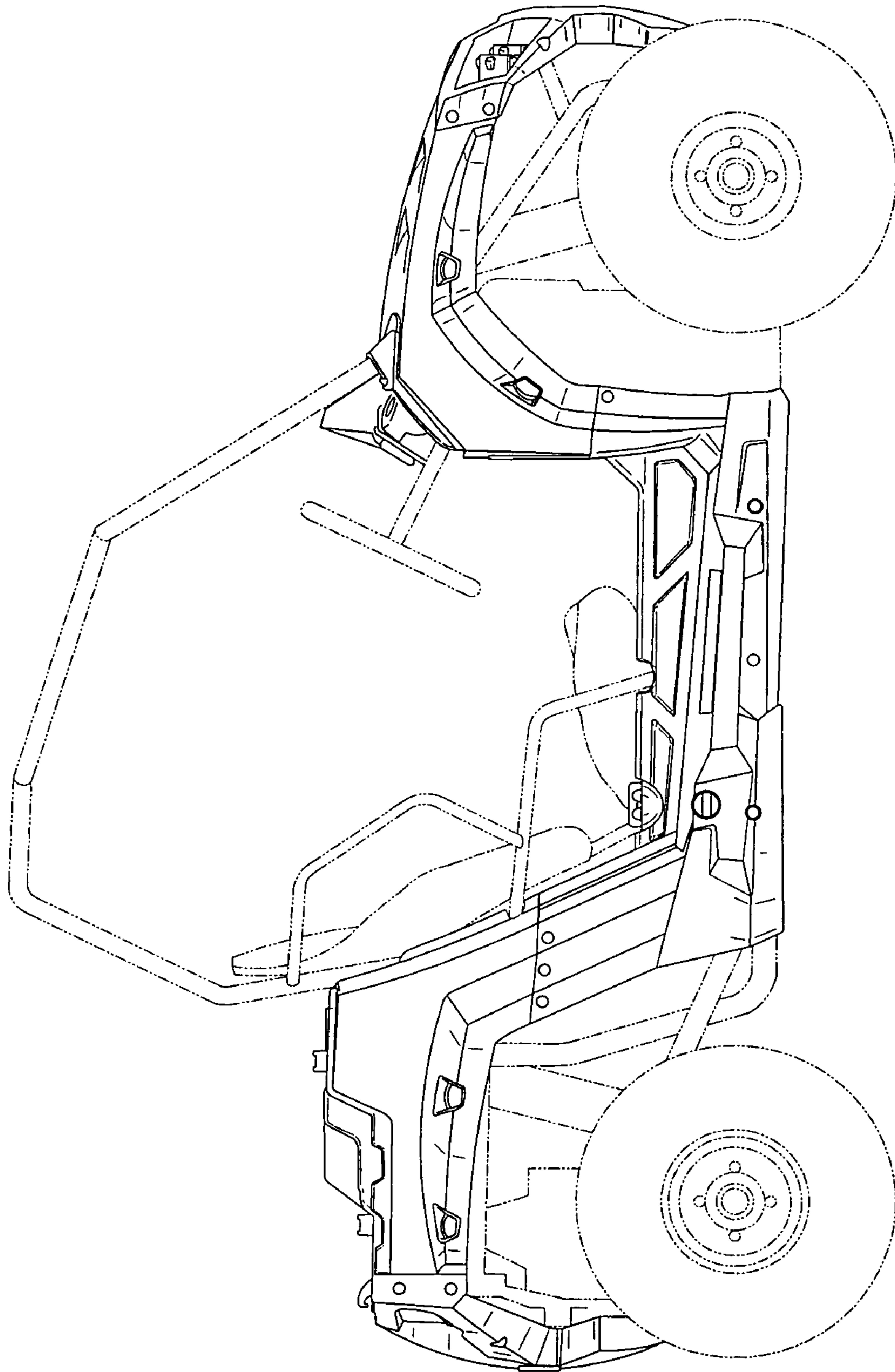


FIG.5

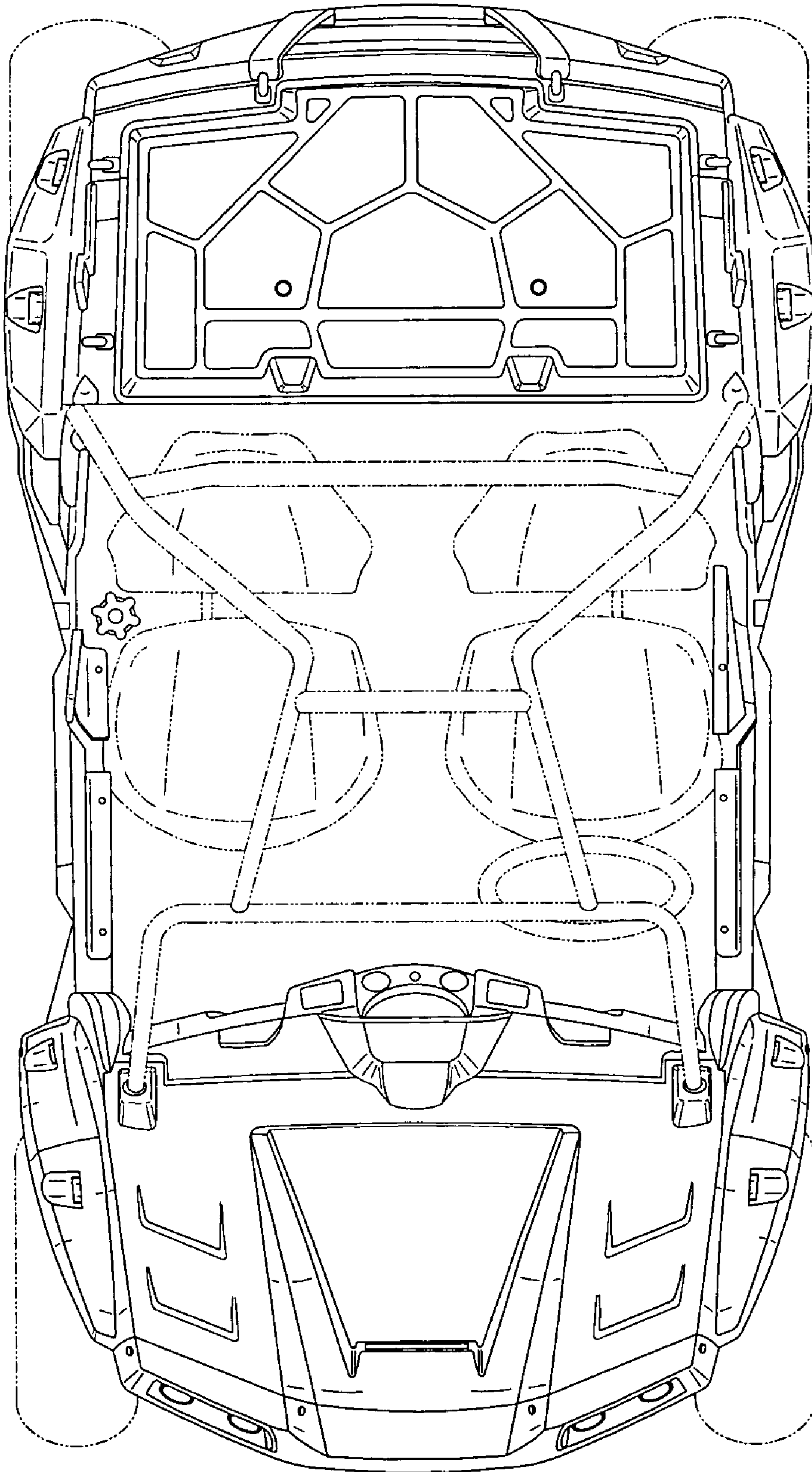


FIG.6

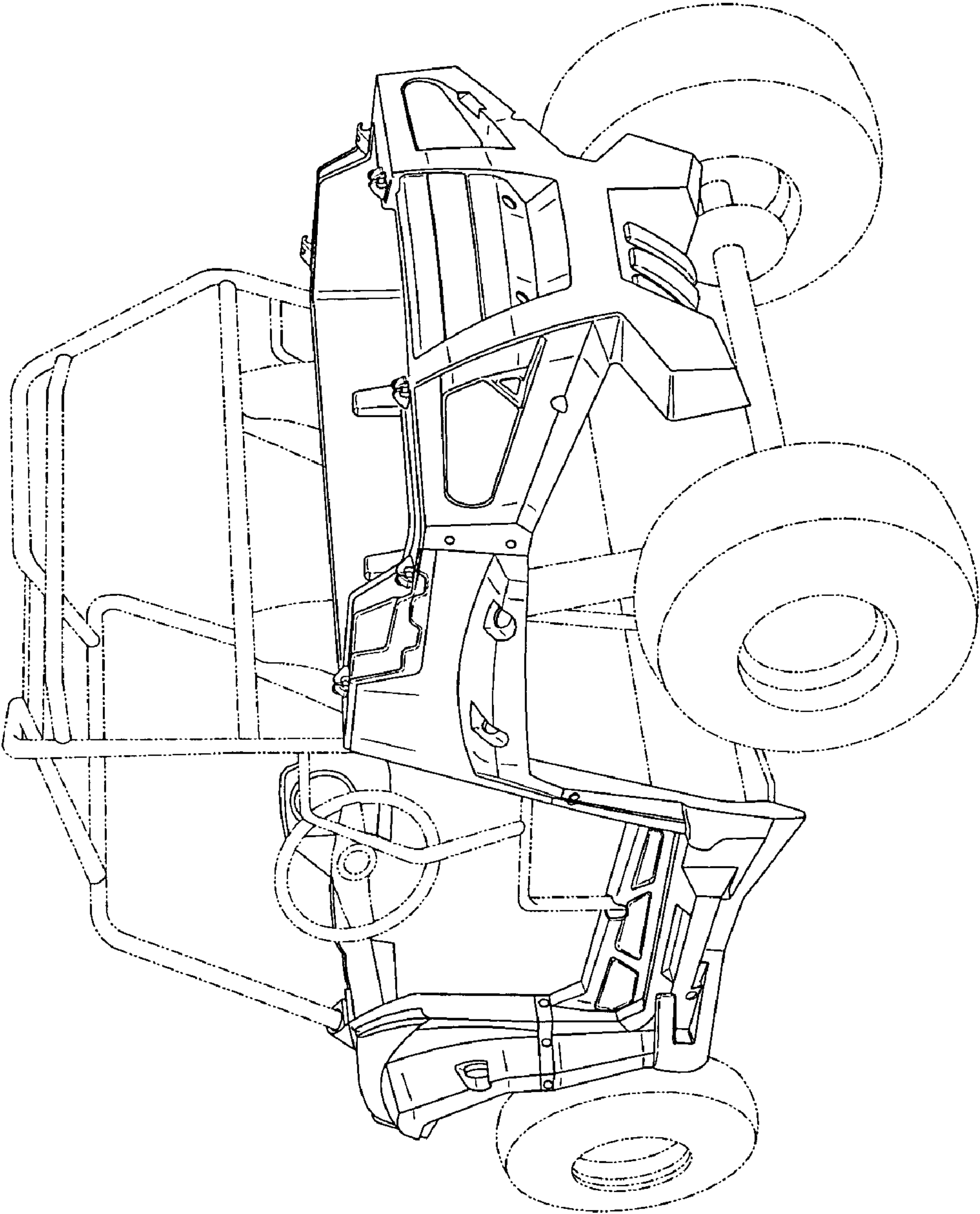


FIG.7