



US00D641286S

(12) **United States Design Patent**
Gaspard

(10) **Patent No.:** **US D641,286 S**
(45) **Date of Patent:** **** Jul. 12, 2011**

(54) **BELT BUCKLE**

(76) Inventor: **Caroline Gaspard**, Onnaing (FR)

(**) Term: **14 Years**

(21) Appl. No.: **29/360,988**

(22) Filed: **May 4, 2010**

(30) **Foreign Application Priority Data**

Nov. 13, 2009 (WO) DM/072 607

(51) **LOC (9) Cl.** **02-07**

(52) **U.S. Cl.** **D11/231; D22/116**

(58) **Field of Classification Search** D11/200-237;
D2/625-629; 24/614, 625, 650, 199-200,
24/170, 30.5 R, 318; 224/163; D3/229

See application file for complete search history.

(56) **References Cited**

U.S. PATENT DOCUMENTS

D115,582 S *	7/1939	Silverman	D3/229
D171,853 S *	3/1954	Kelman	D11/232
D253,136 S *	10/1979	Lynch	D11/232
D254,522 S *	3/1980	Moreton	D11/230
4,377,249 A *	3/1983	Bockoven	224/163
D280,464 S *	9/1985	Casull	D11/232
D285,384 S *	9/1986	Kirk	D11/208

D290,448 S *	6/1987	Seehase	D11/232
D301,702 S *	6/1989	Peterson	D11/230
D539,699 S *	4/2007	Martin et al.	D11/231
D581,836 S *	12/2008	Bettinardi	D11/231
D613,201 S *	4/2010	Orr	D11/231
D626,030 S *	10/2010	Valdez	D11/231

* cited by examiner

Primary Examiner — T. Chase Nelson

Assistant Examiner — Mark Cavanna

(74) *Attorney, Agent, or Firm* — Norris McLaughlin & Marcus PA

(57) **CLAIM**

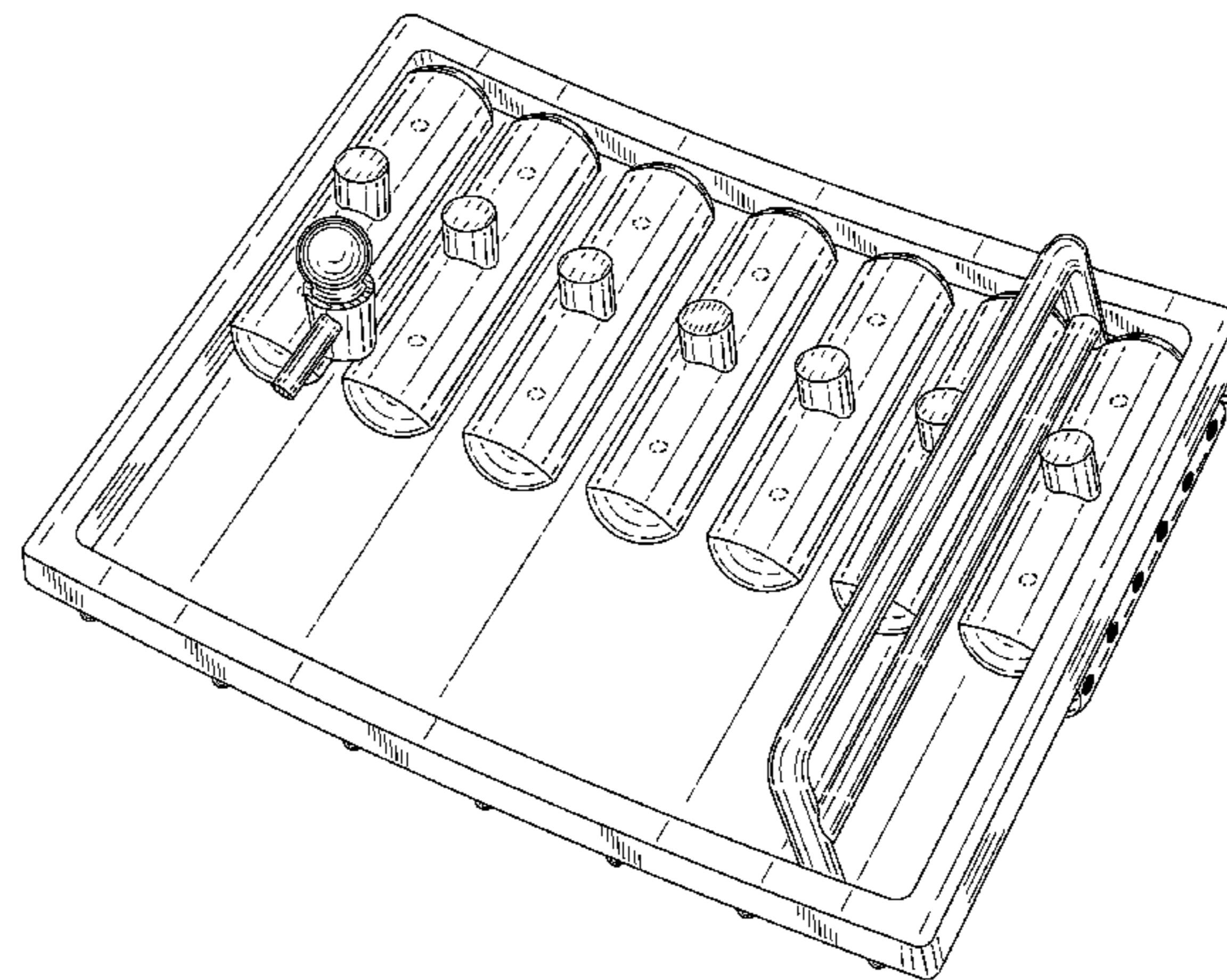
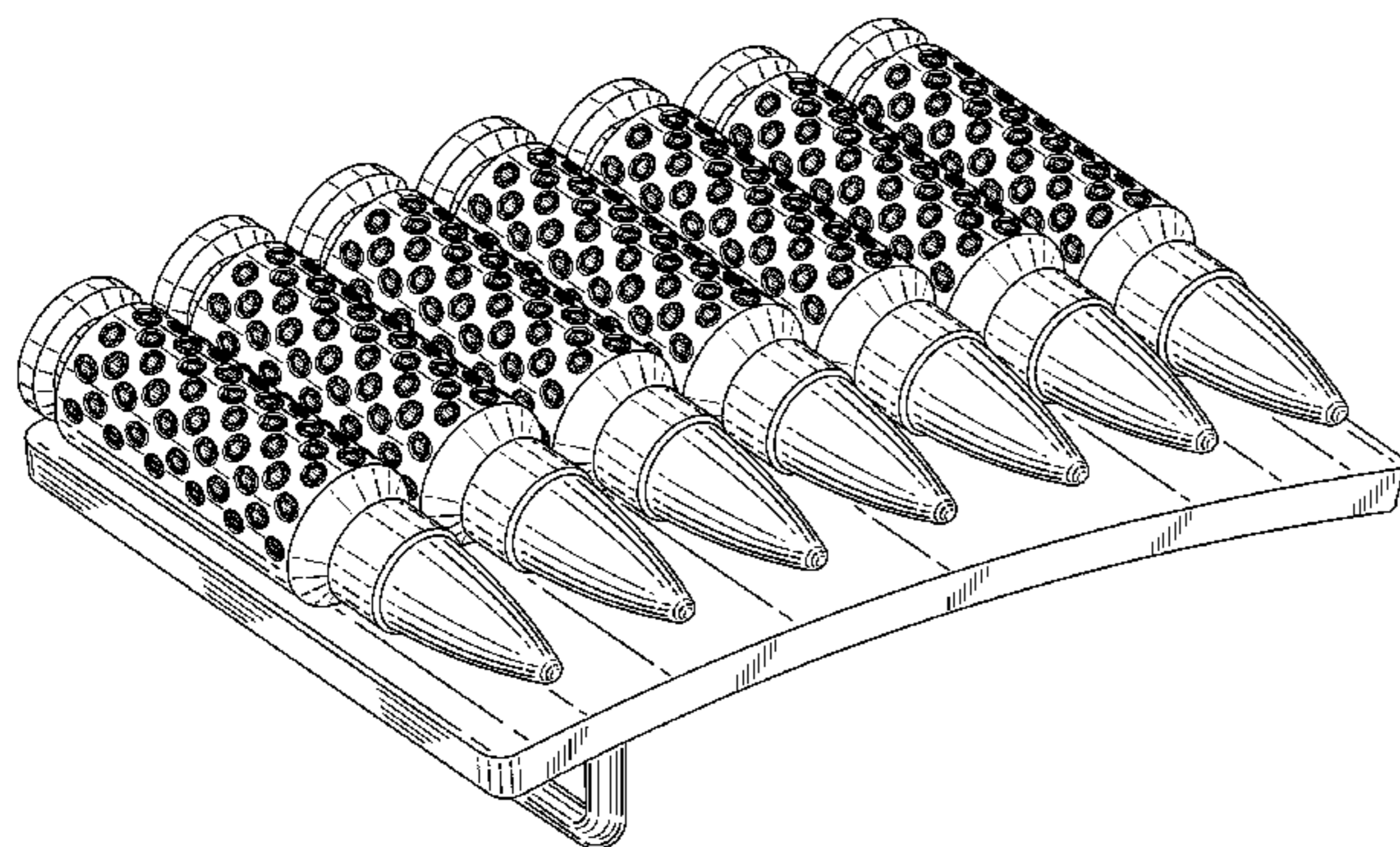
The ornamental design for a belt buckle, as shown and described.

DESCRIPTION

FIG. 1 is a front, top perspective view of my belt buckle;
FIG. 2 is a bottom, front perspective view thereof;
FIG. 3 is a front view thereof;
FIG. 4 is a rear view thereof;
FIG. 5 is a bottom view thereof;
FIG. 6 is a top view thereof;
FIG. 7 is a left side view thereof; and,
FIG. 8 is a right side view thereof.

The broken lines are included for the purpose of illustrating portions of the belt buckle that form no part of the claimed design.

1 Claim, 8 Drawing Sheets



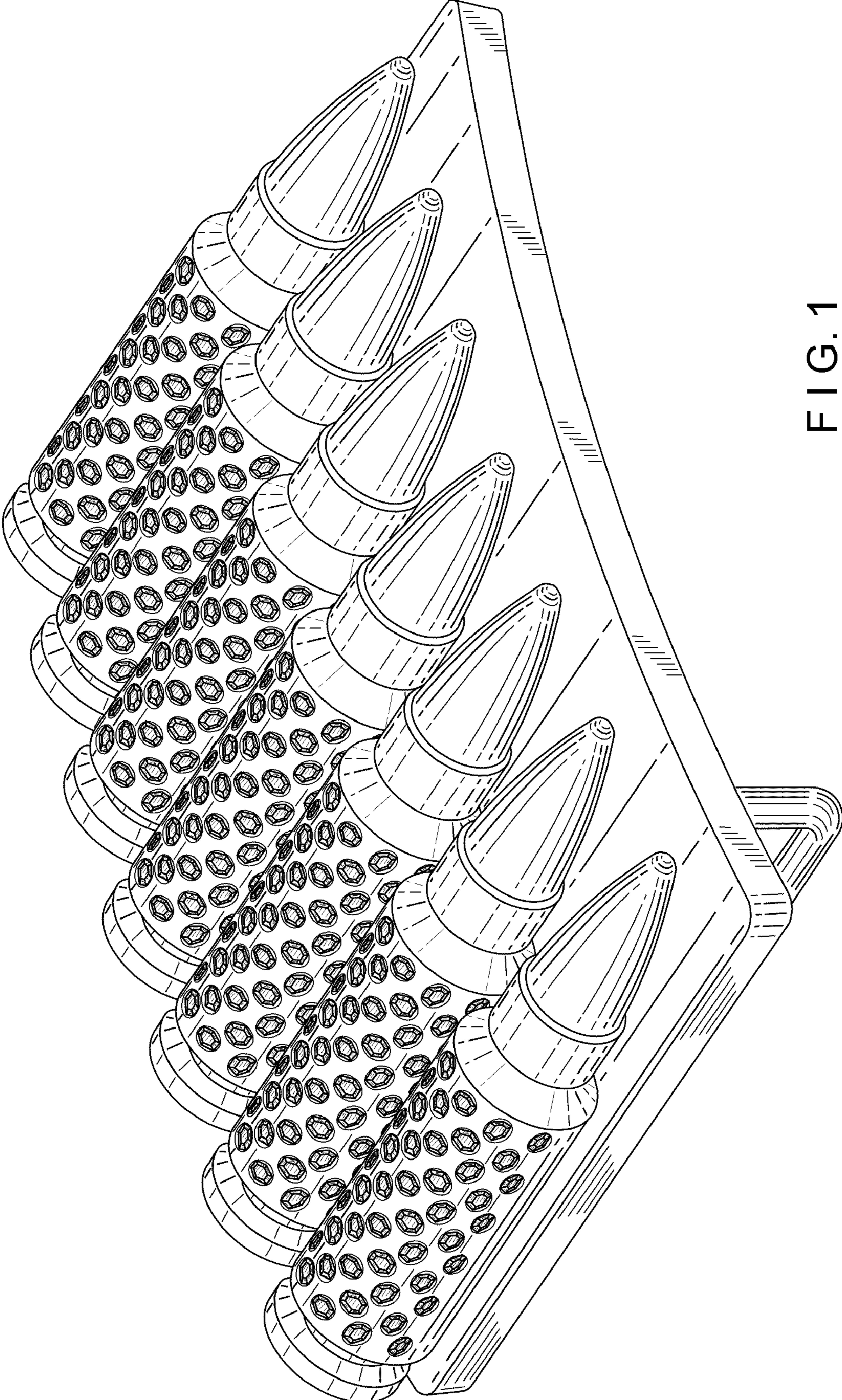


FIG. 1

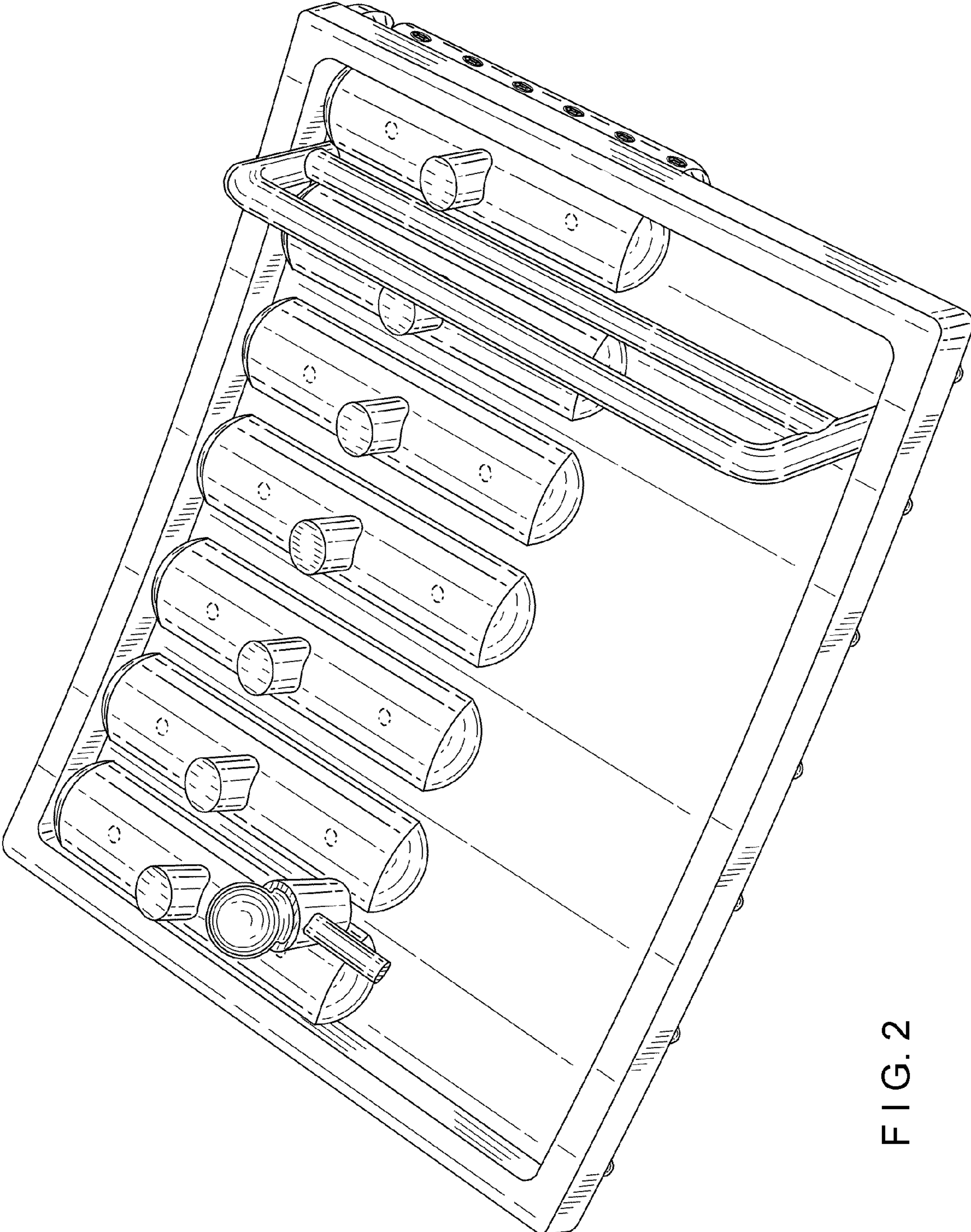


FIG. 2

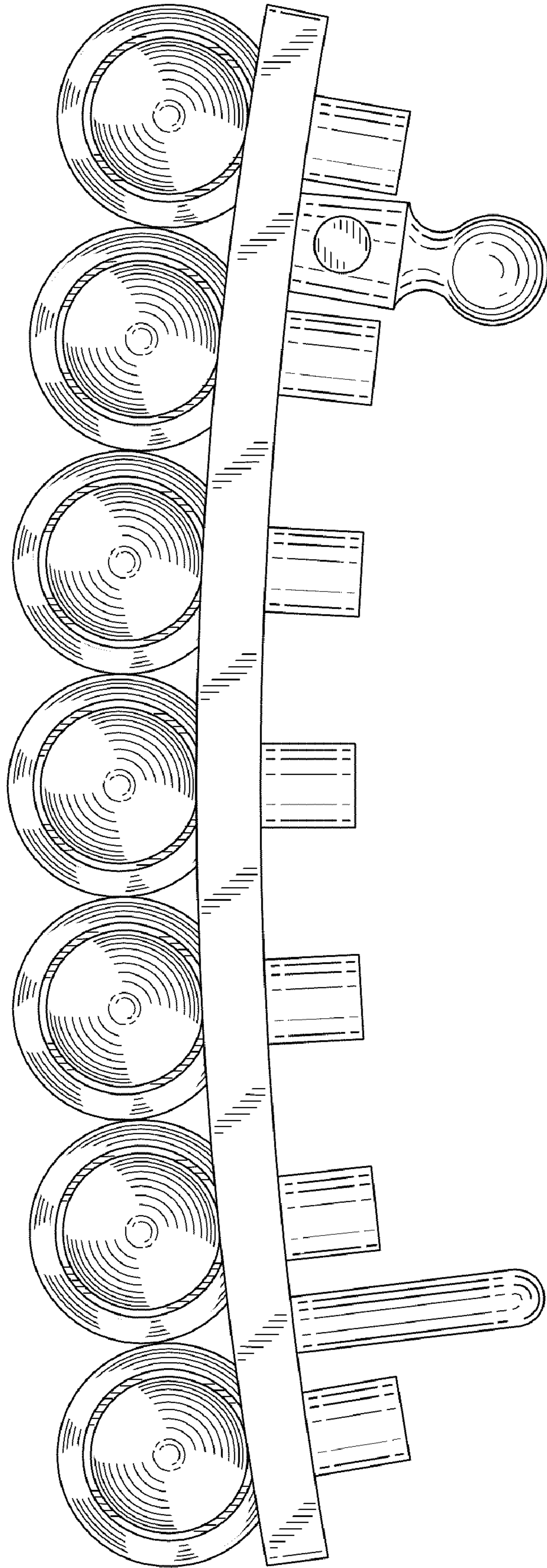


FIG. 3

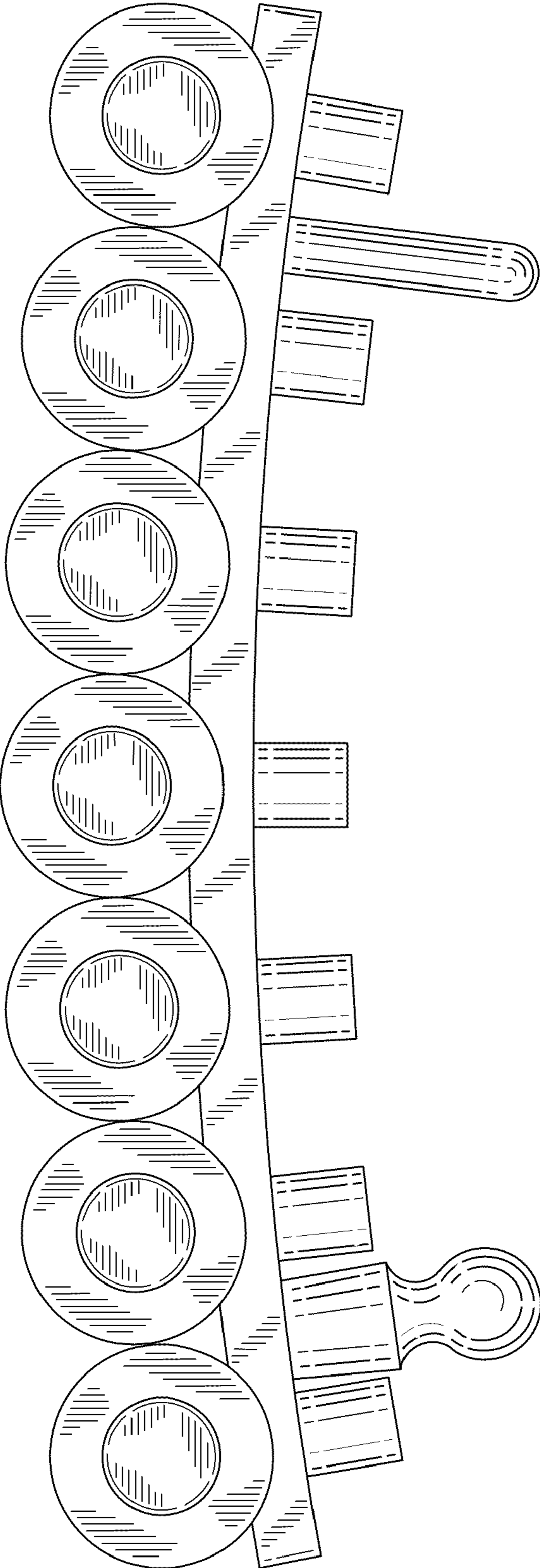


FIG. 4

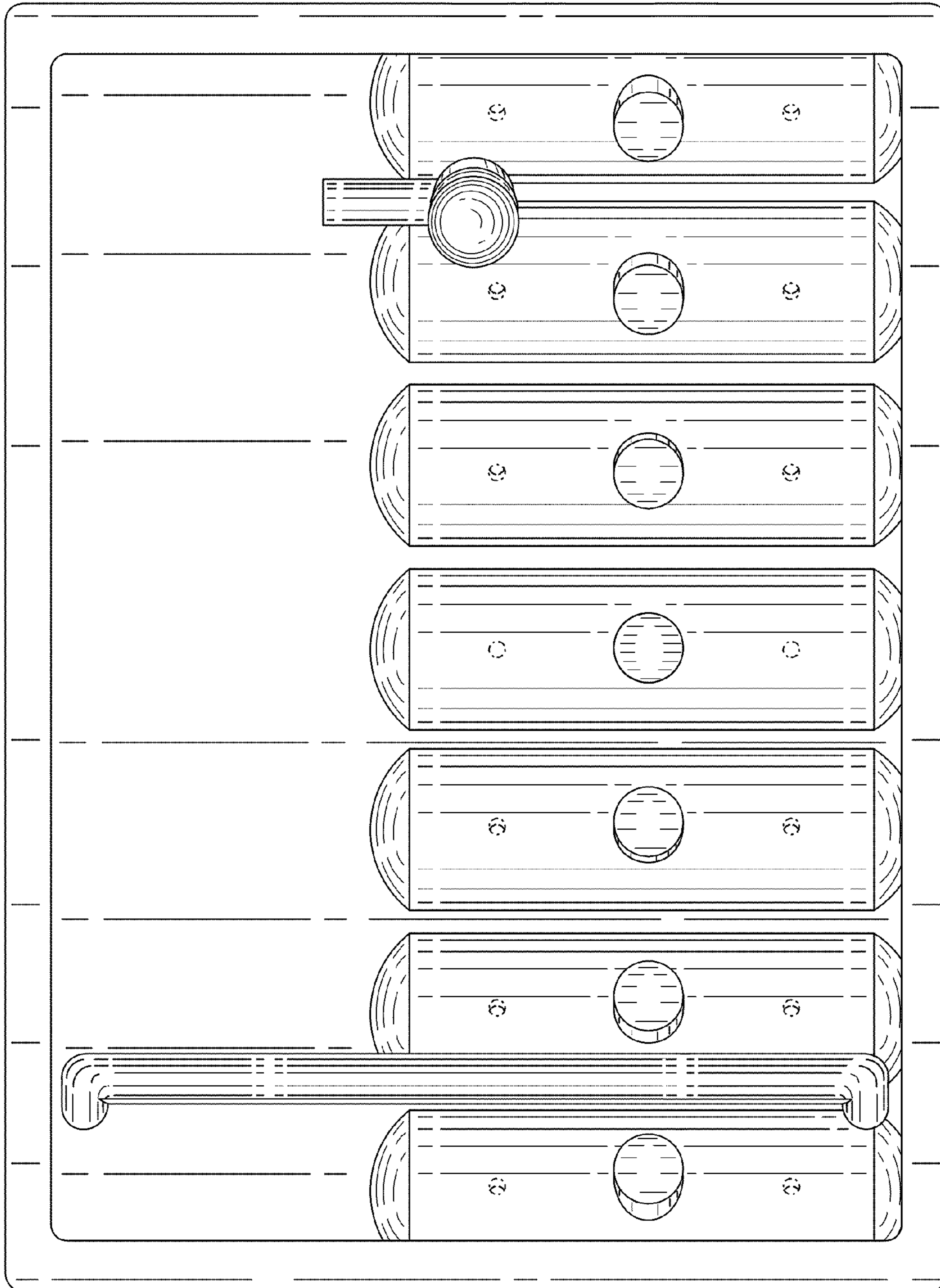


FIG. 5

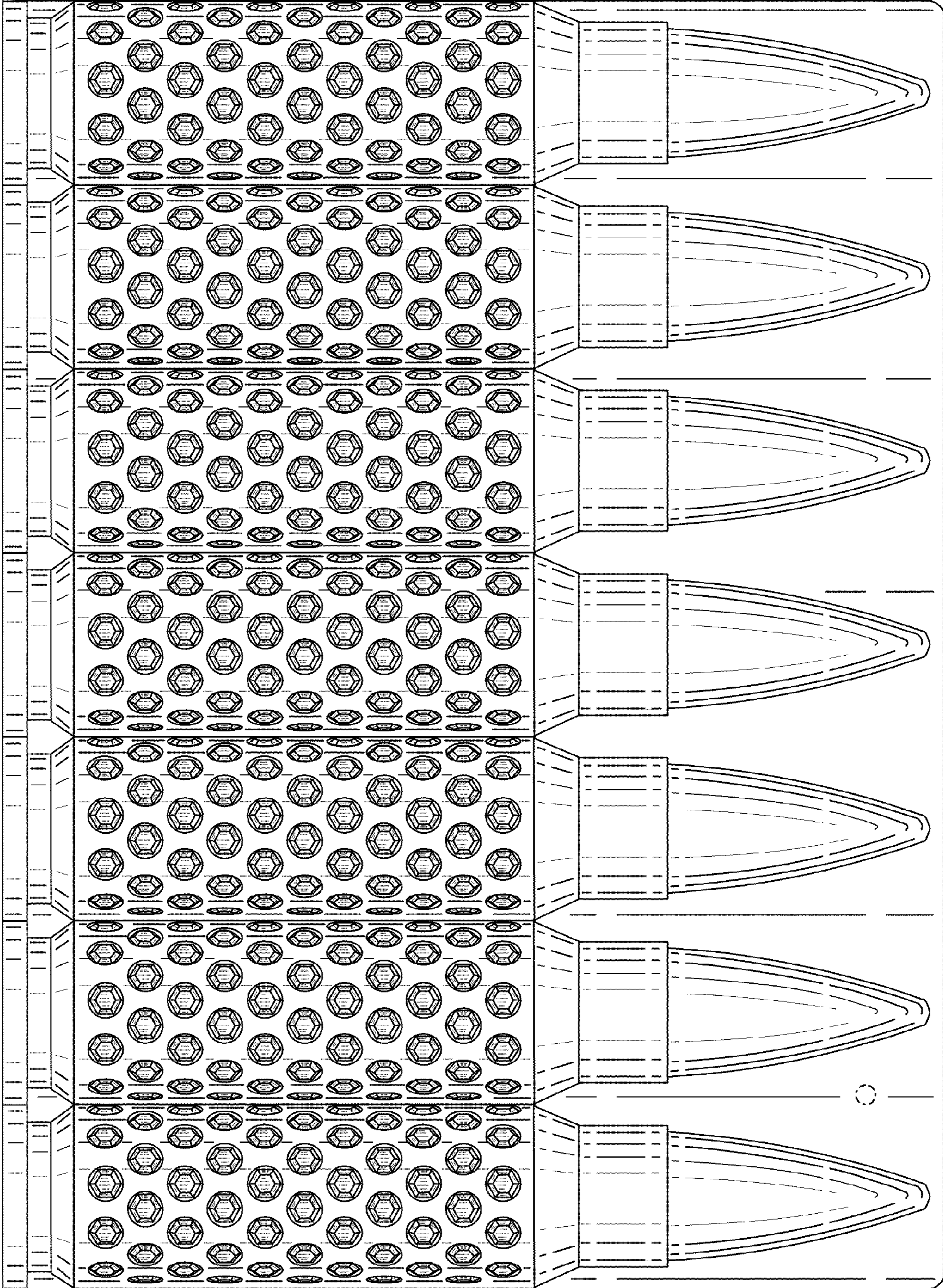


FIG. 6

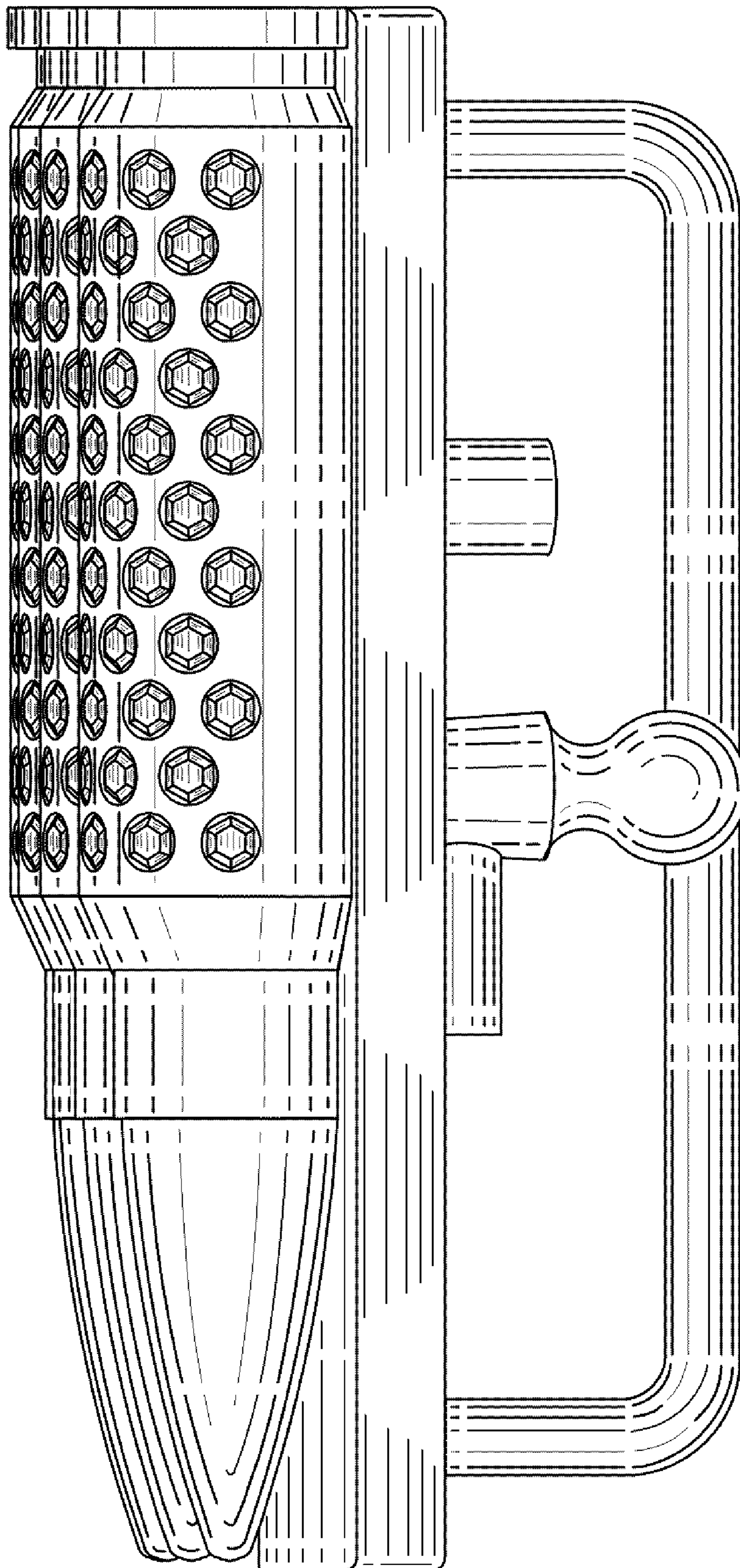


FIG. 7

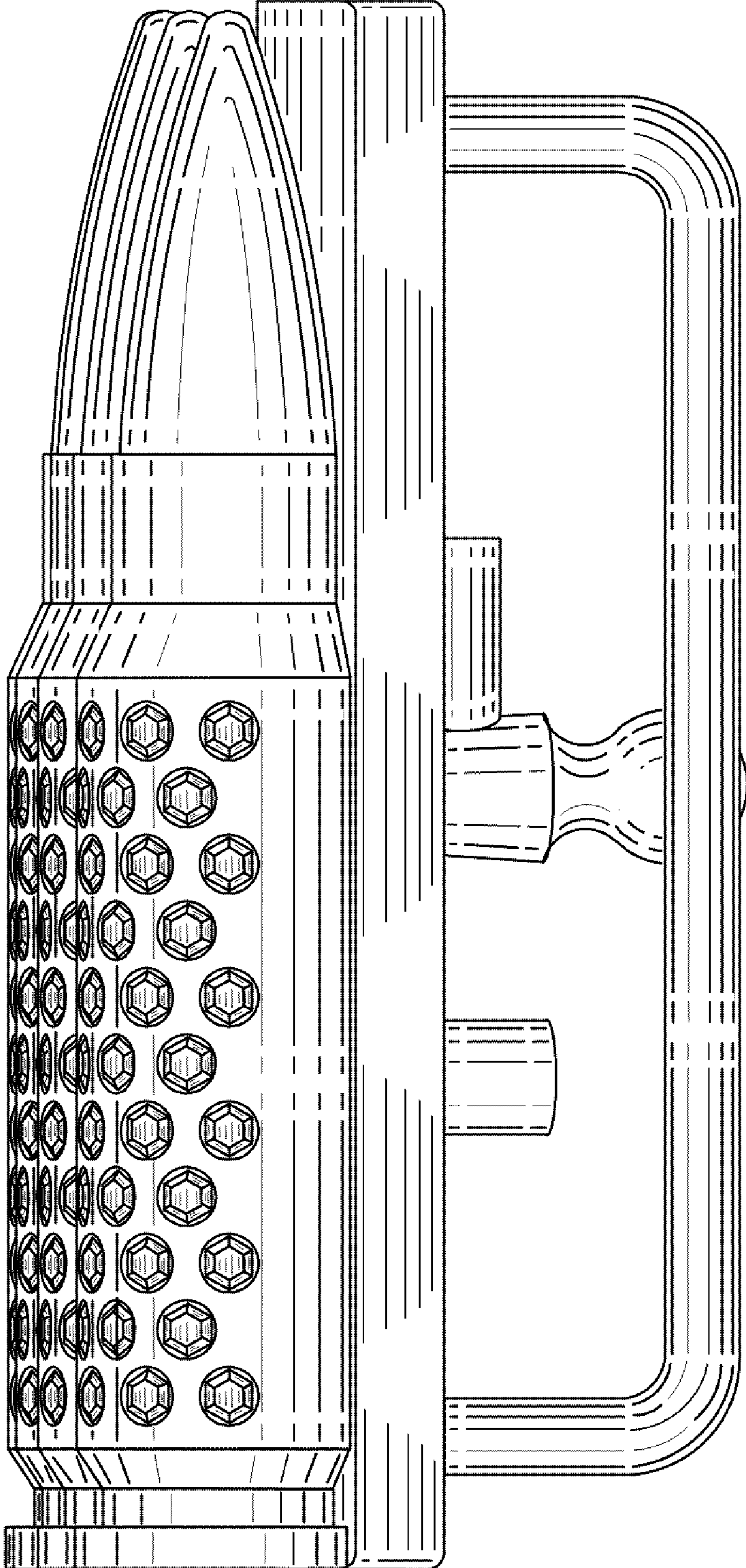


FIG. 8