



US00D641278S

(12) **United States Design Patent**
Siedler et al.

(10) **Patent No.:** **US D641,278 S**
(45) **Date of Patent:** **** Jul. 12, 2011**

(54) **JEWELRY FOR PIERCING**

(76) Inventors: **Martin Siedler**, Gronau (DE); **Marcus Strohner**, Mannheim (DE)

(**) Term: **14 Years**

(21) Appl. No.: **29/338,793**

(22) Filed: **Jun. 18, 2009**

(30) **Foreign Application Priority Data**

Dec. 18, 2008 (EP) 001052556

(51) **LOC (9) Cl.** **11-02**

(52) **U.S. Cl.** **D11/40; D11/2**

(58) **Field of Classification Search** D11/40-52,
D11/1, 2, 86-92; 63/12, 14.1, 20, 900, DIG. 1
See application file for complete search history.

(56) **References Cited**

U.S. PATENT DOCUMENTS

3,088,295	A *	5/1963	Haines	63/20
D354,927	S *	1/1995	Andrau	D11/40
D355,396	S *	2/1995	Andrau	D11/222
D356,052	S *	3/1995	Andrau	D11/40
D379,601	S *	6/1997	Itzkowitz	D11/40
D383,706	S *	9/1997	Archambault	D11/88

D423,394	S *	4/2000	Brisk	D11/41
D433,349	S *	11/2000	Brisk	D11/41
D468,494	S *	1/2003	Holloway	D30/199
D489,637	S *	5/2004	Zavilenski	D11/40
2006/0090509	A1 *	5/2006	Jones et al.	63/12
2009/0013722	A1 *	1/2009	Walters	63/13
2010/0147025	A1 *	6/2010	Simpson et al.	63/13

OTHER PUBLICATIONS

<http://www.bodycandy.com/cgi-bin/item/23174>.*

* cited by examiner

Primary Examiner — Cathron Brooks

Assistant Examiner — Melanie Levy

(74) *Attorney, Agent, or Firm* — Young & Thompson

(57) **CLAIM**

The ornamental design for jewelry for piercing, as shown and described.

DESCRIPTION

FIG. 1 is a side elevational view of jewelry for piercing showing my new design;

FIG. 2 is a top plan view thereof;

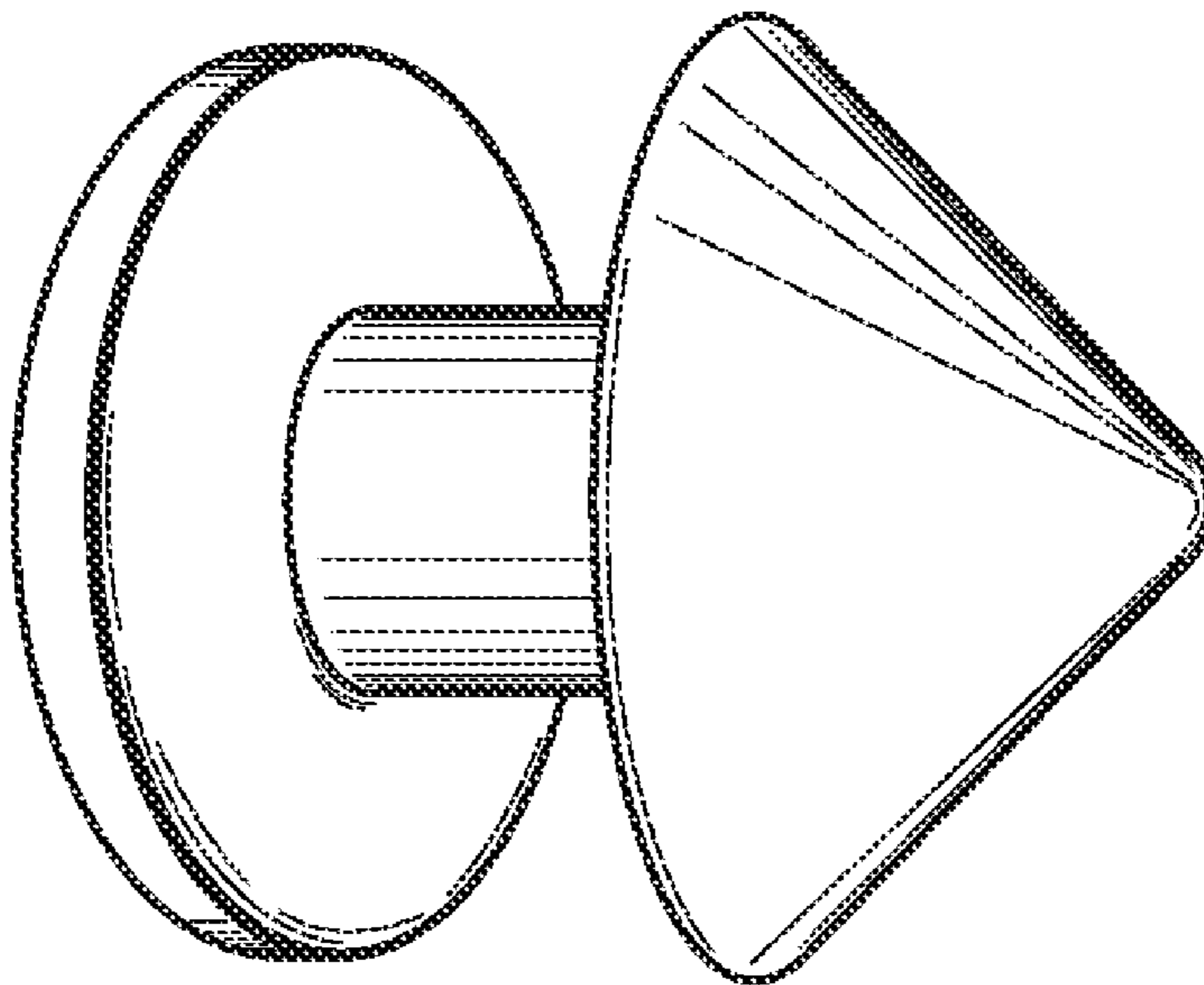
FIG. 3 is a bottom plan view thereof;

FIG. 4 is a top and side perspective view thereof;

FIG. 5 is another top and side perspective view thereof; and,

FIG. 6 is a bottom and side perspective view thereof.

1 Claim, 1 Drawing Sheet



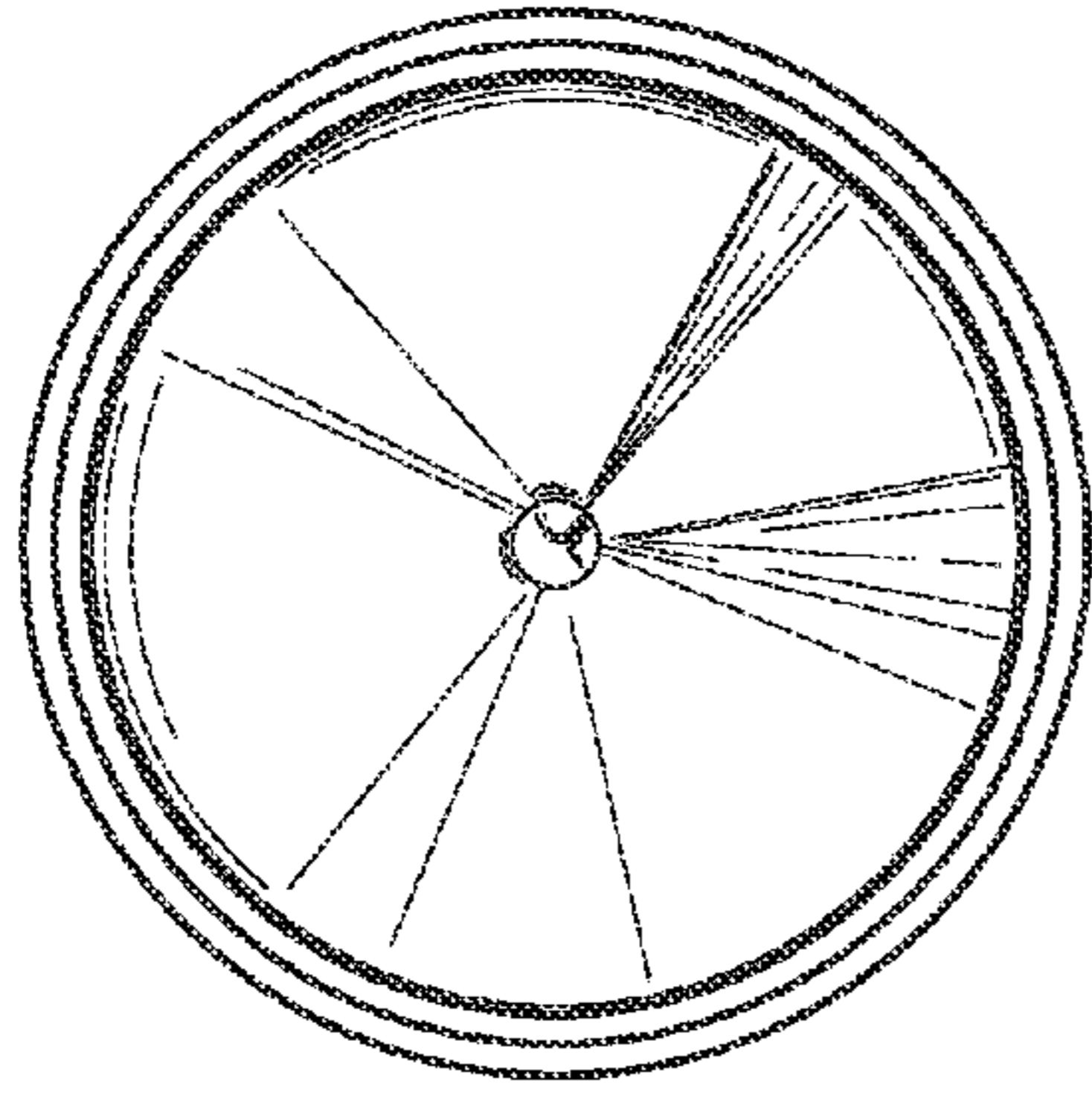


Fig. 3

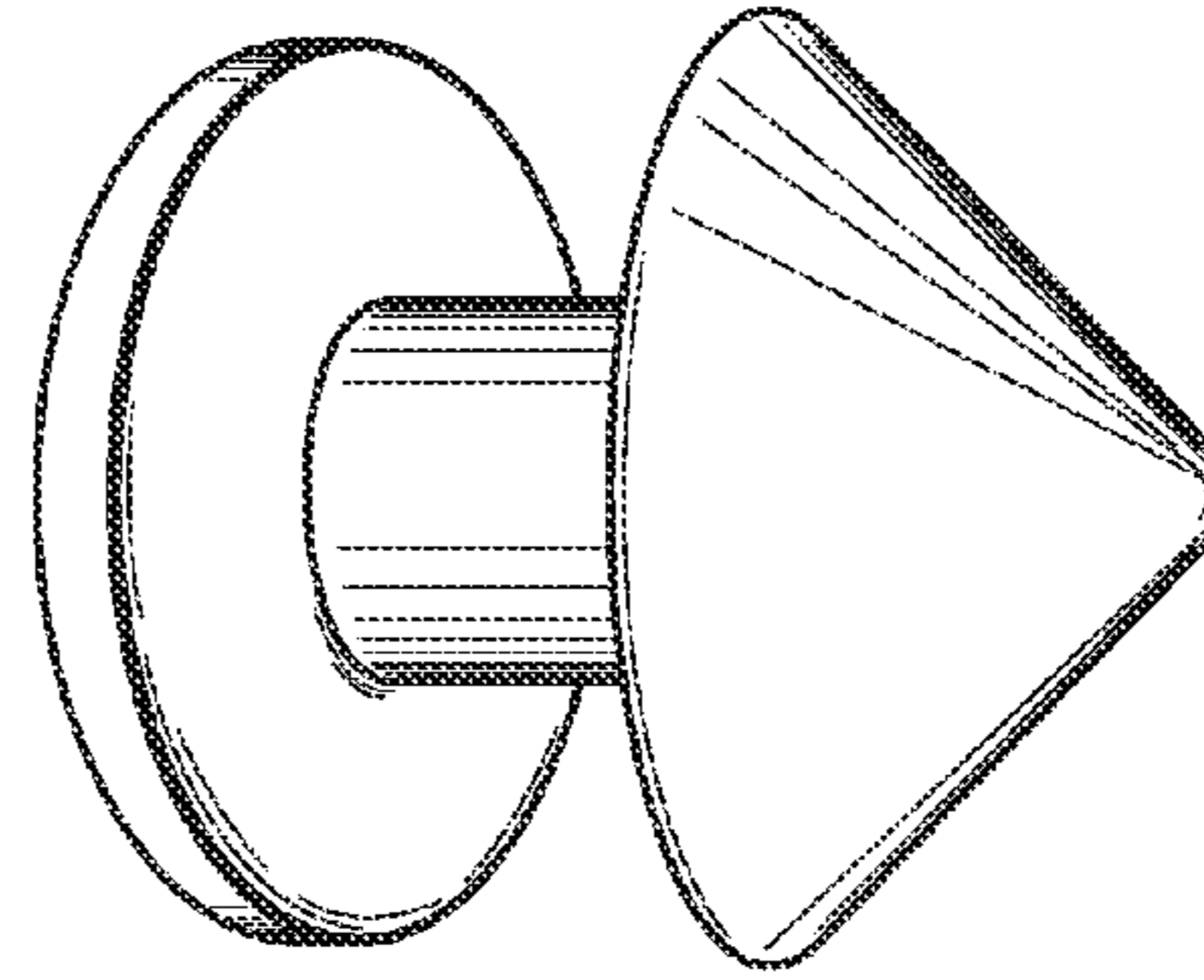


Fig. 6

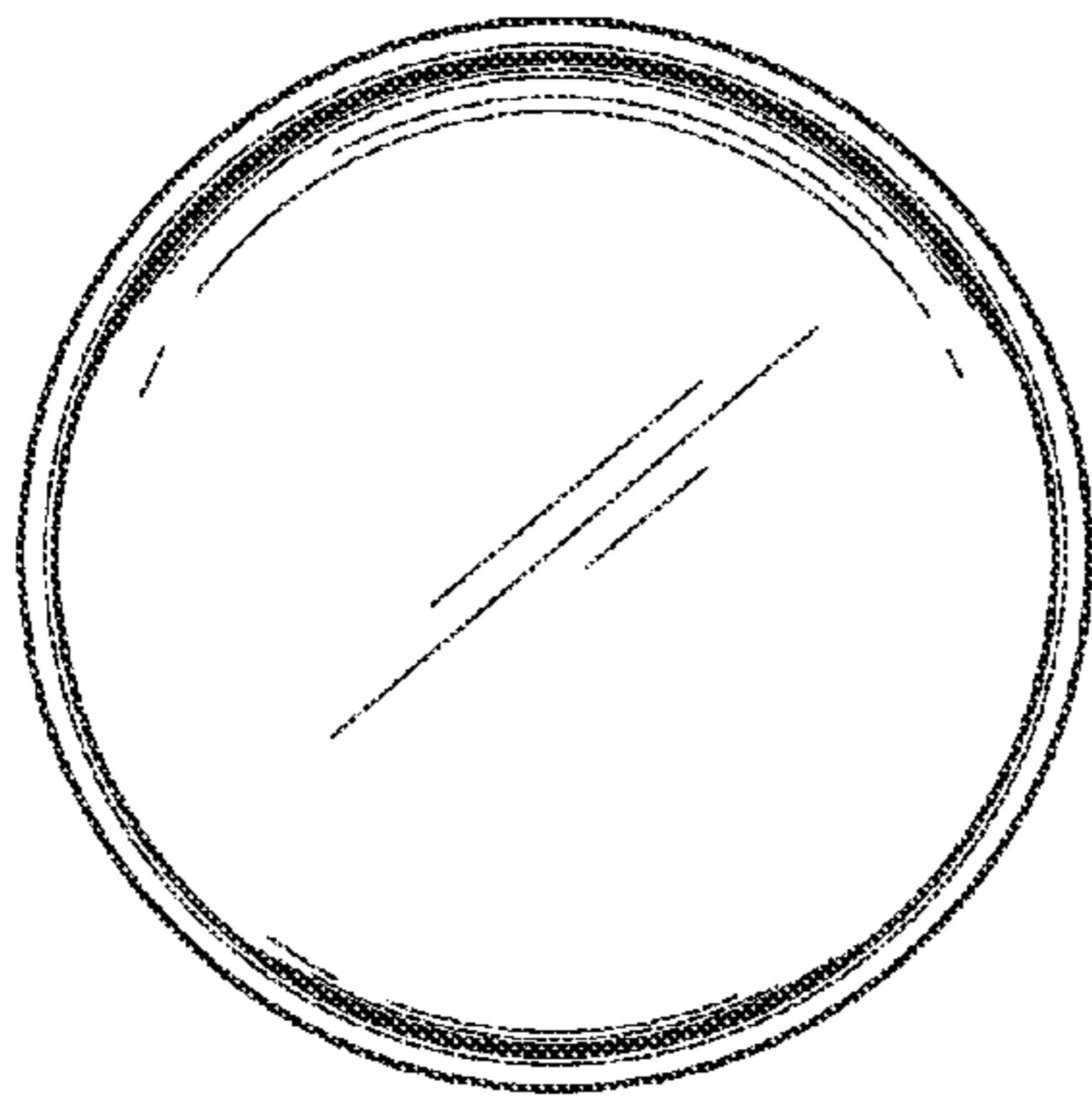


Fig. 2

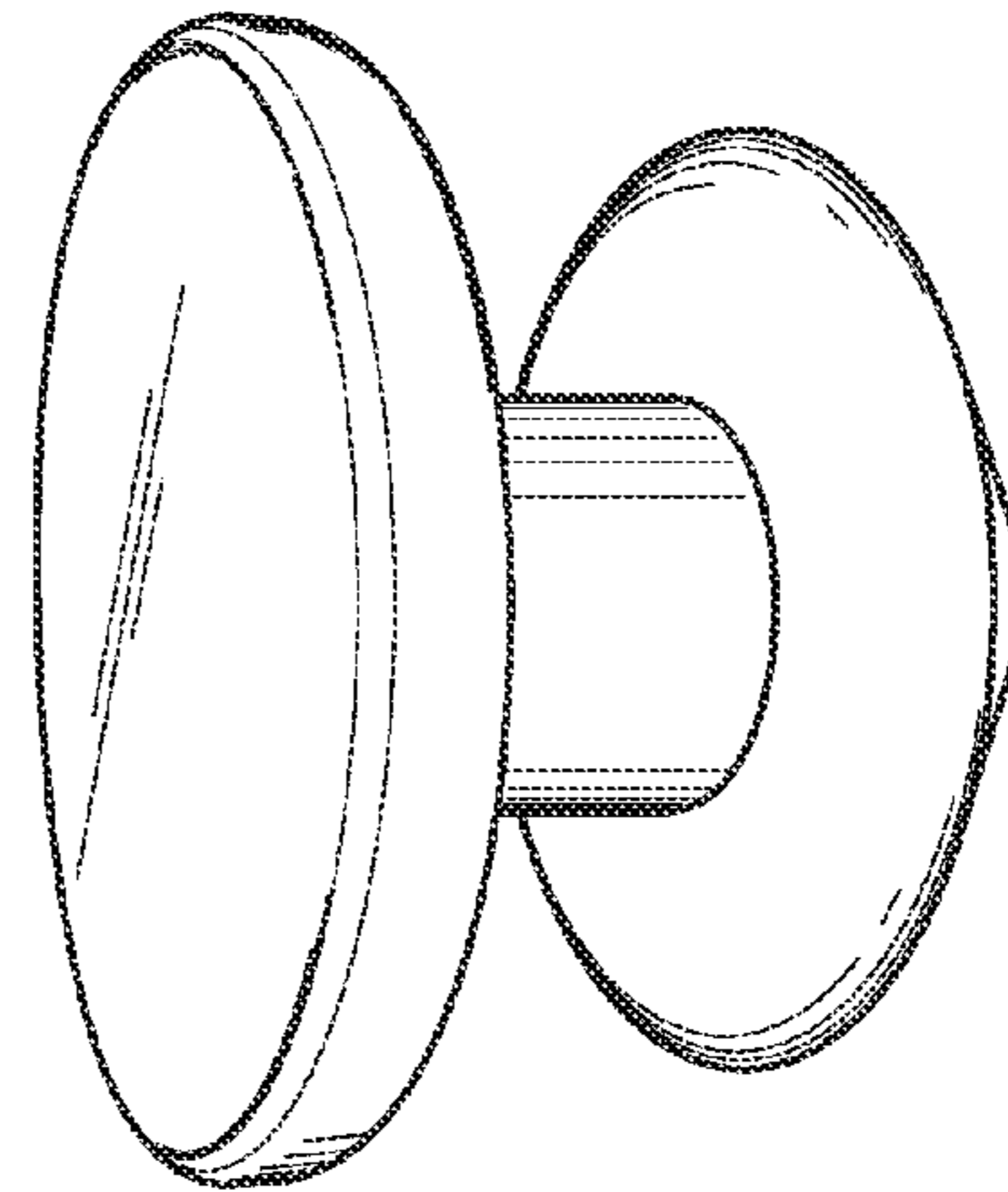


Fig. 5

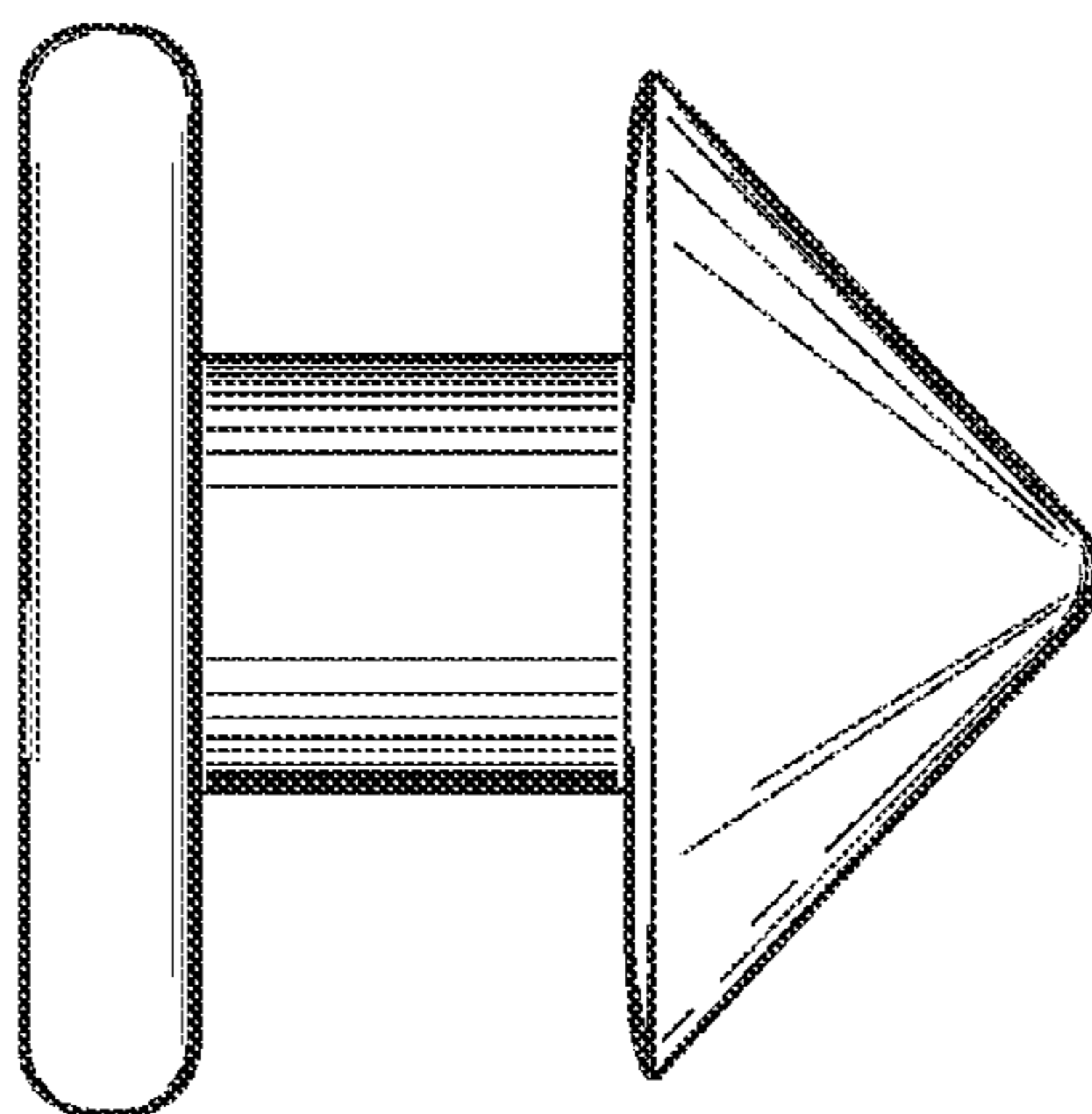


Fig. 1

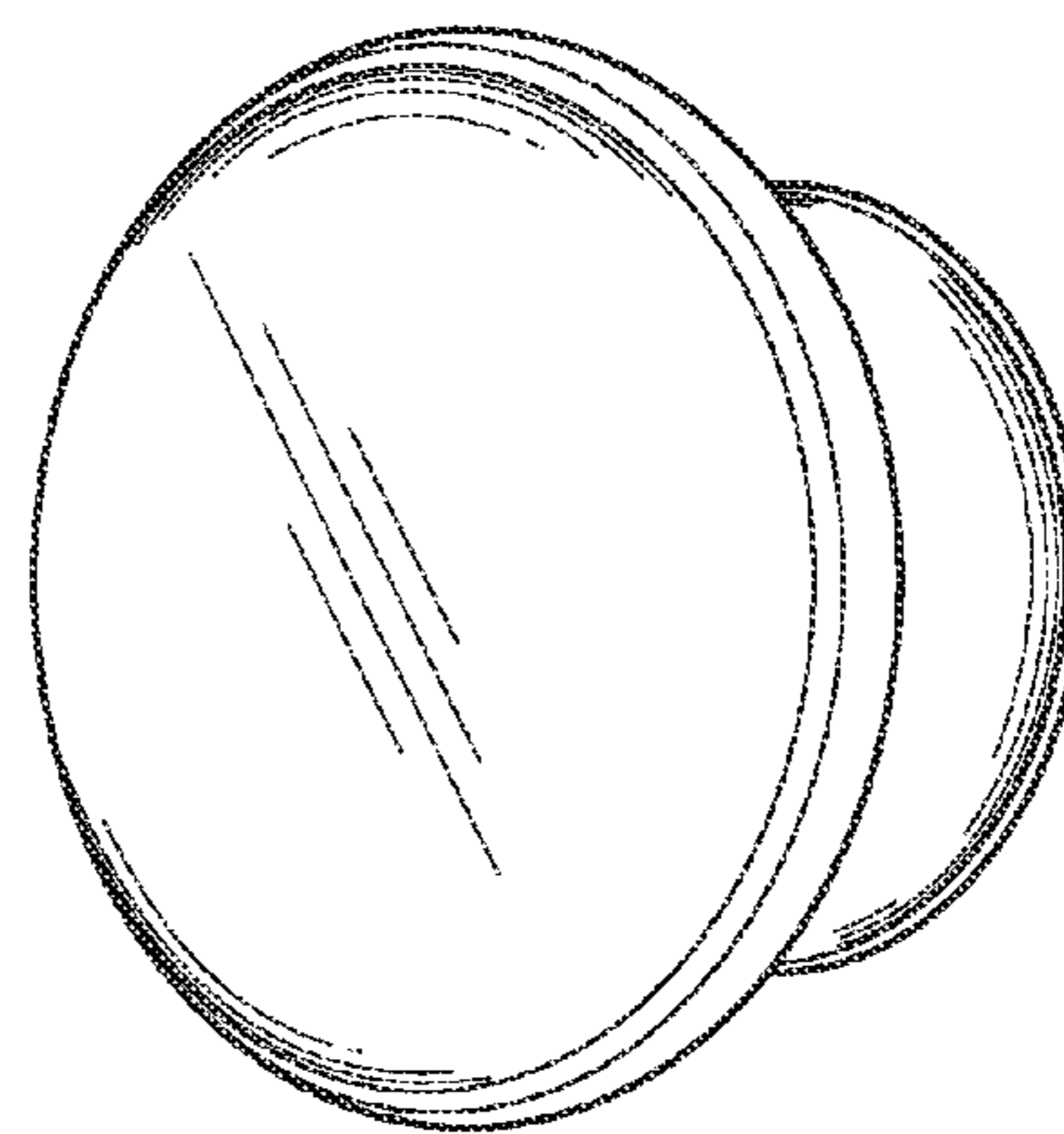


Fig. 4