



US00D641272S

(12) **United States Design Patent**
Tan

(10) **Patent No.:** **US D641,272 S**
(45) **Date of Patent:** **** *Jul. 12, 2011**

(54) **DIGITAL MULTI-FUNCTION ELECTRIC GAUGE**

(75) Inventor: **Yu-Chen Tan**, Zhonghe (TW)

(73) Assignee: **Brymen Technology Corporation**,
Taipei (TW)

(*) Notice: This patent is subject to a terminal disclaimer.

(**) Term: **14 Years**

(21) Appl. No.: **29/378,945**

(22) Filed: **Nov. 11, 2010**

(30) **Foreign Application Priority Data**

May 20, 2010 (TW) 99302515

(51) **LOC (9) Cl.** **10-04**

(52) **U.S. Cl.** **D10/78**

(58) **Field of Classification Search** D10/78;
324/66, 67, 158 P, 539-542, 72.5, 556, 133,
324/149, 503, 543, 555, 72, 754, 115, 141,
324/114, 145, 156, 508; 379/21, 60, 66,
379/96, 106.01-106.11; 340/635, 687, 654;
73/866.5

See application file for complete search history.

(56) **References Cited**

U.S. PATENT DOCUMENTS

D257,014	S	*	9/1980	Cressman et al.	D10/78
D351,562	S	*	10/1994	Moffatt et al.	D10/78
D615,430	S	*	5/2010	Wieberdink et al.	D10/78
D625,211	S	*	10/2010	Chun	D10/78
D629,319	S	*	12/2010	Tian	D10/78
2009/0146644	A1	*	6/2009	Tan et al.	324/149
2009/0189597	A1	*	7/2009	Lagerberg et al.	324/133

* cited by examiner

Primary Examiner — Antoine D Davis

(74) *Attorney, Agent, or Firm* — Chun-Ming Shih; HDLS IPR Services

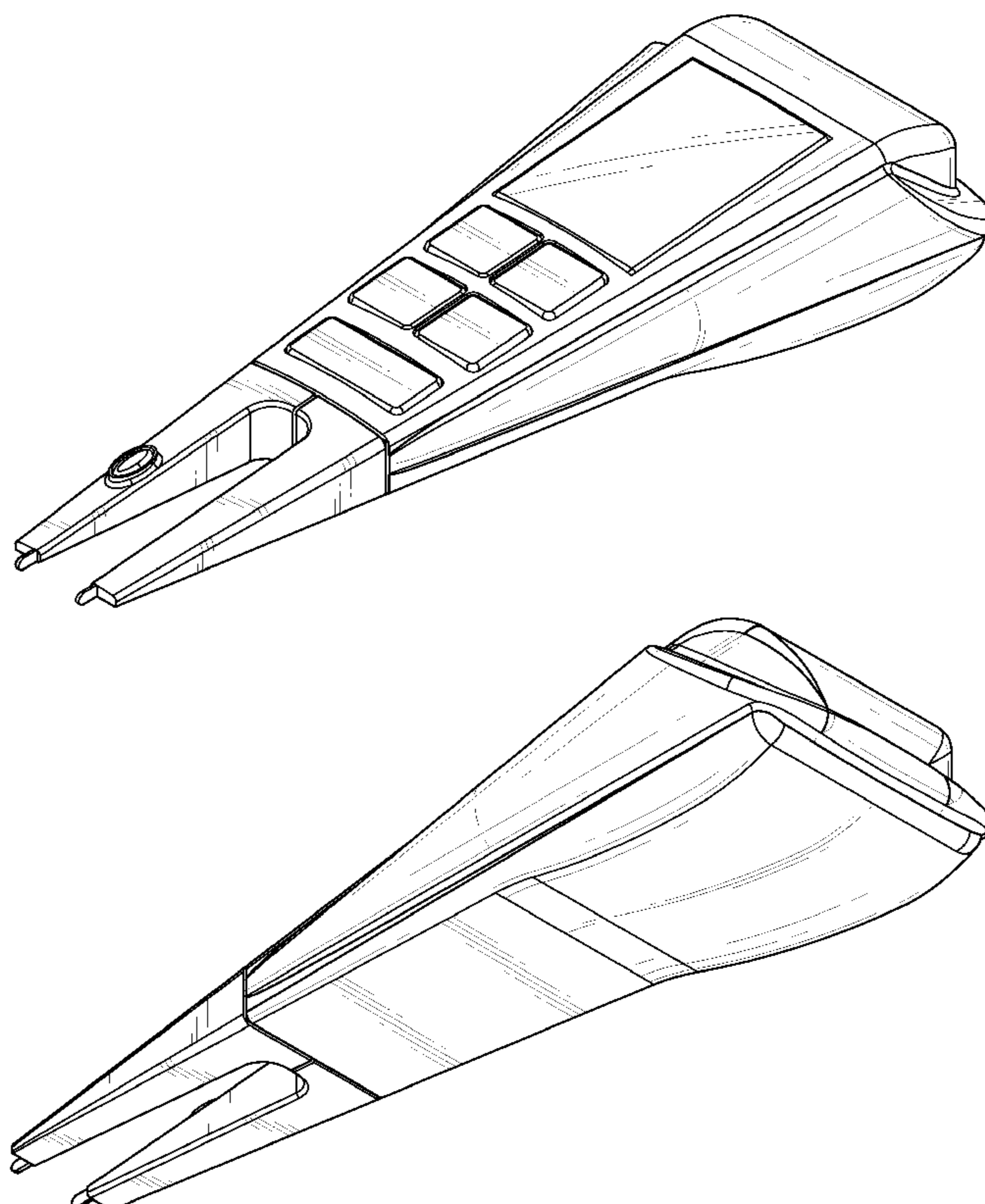
(57) **CLAIM**

The ornamental design for a digital multi-function electric gauge, as shown and described.

DESCRIPTION

FIG. 1 is a perspective view of a digital multi-function electric gauge showing my new design;
FIG. 2 is a front view thereof;
FIG. 3 is a rear view thereof;
FIG. 4 is a left side view thereof;
FIG. 5 is a right side view thereof;
FIG. 6 is a top view thereof;
FIG. 7 is a bottom view thereof.
FIG. 8 is another perspective view showing the digital multi-function electric gauge; and,
FIG. 9 is a perspective view showing another embodiment of the digital multi-function electric gauge.

1 Claim, 8 Drawing Sheets



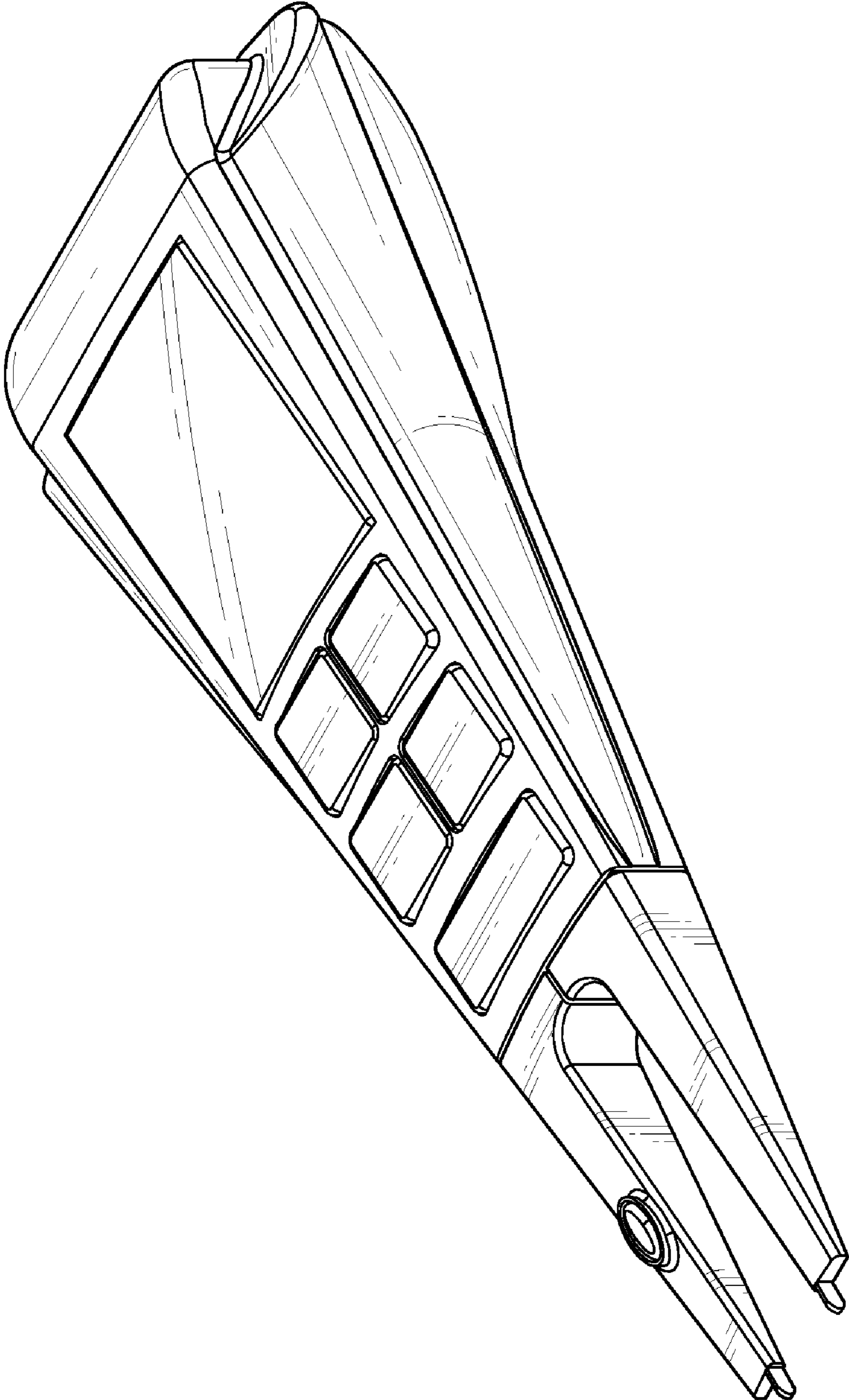


FIG.1

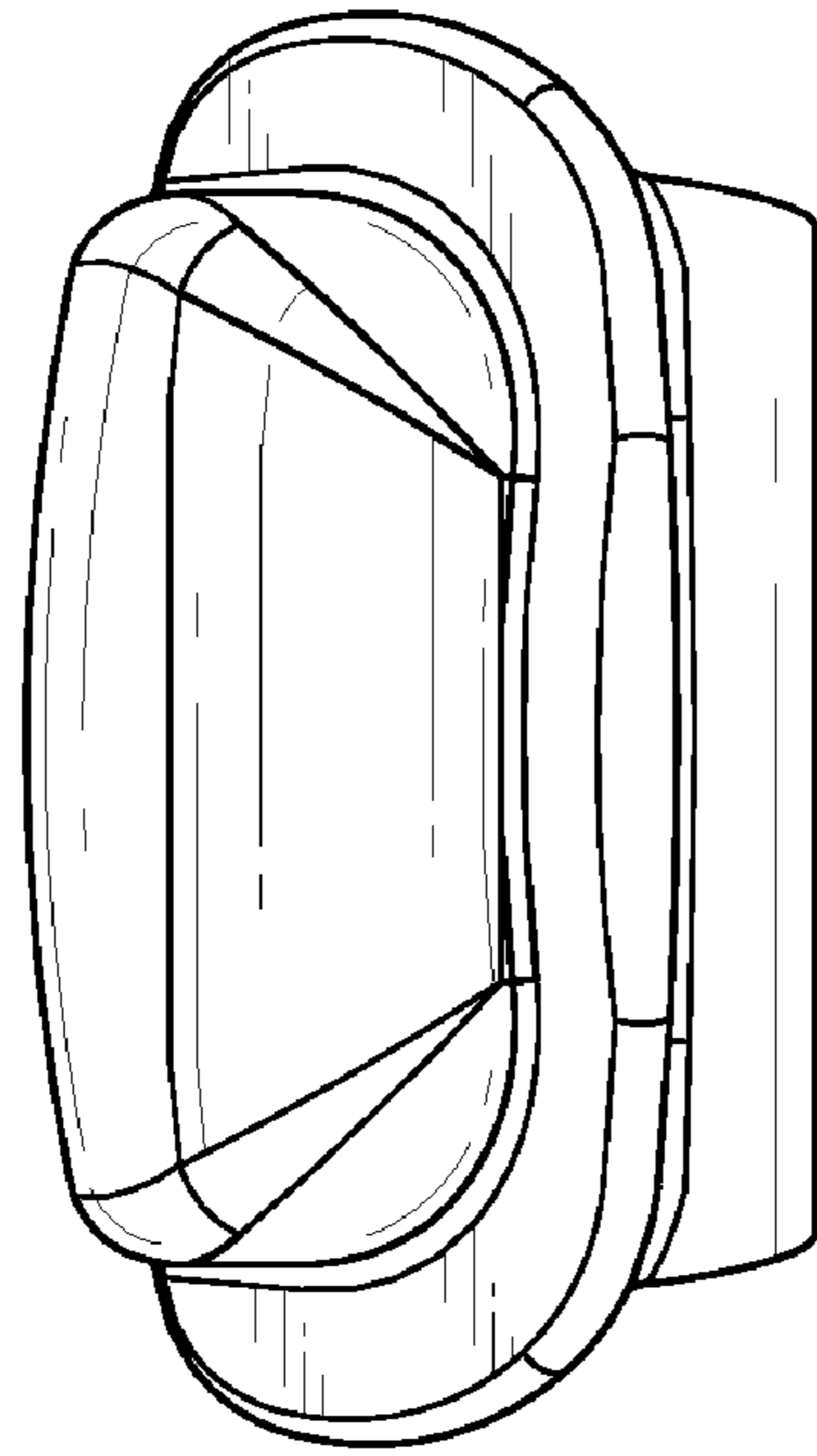


FIG.3

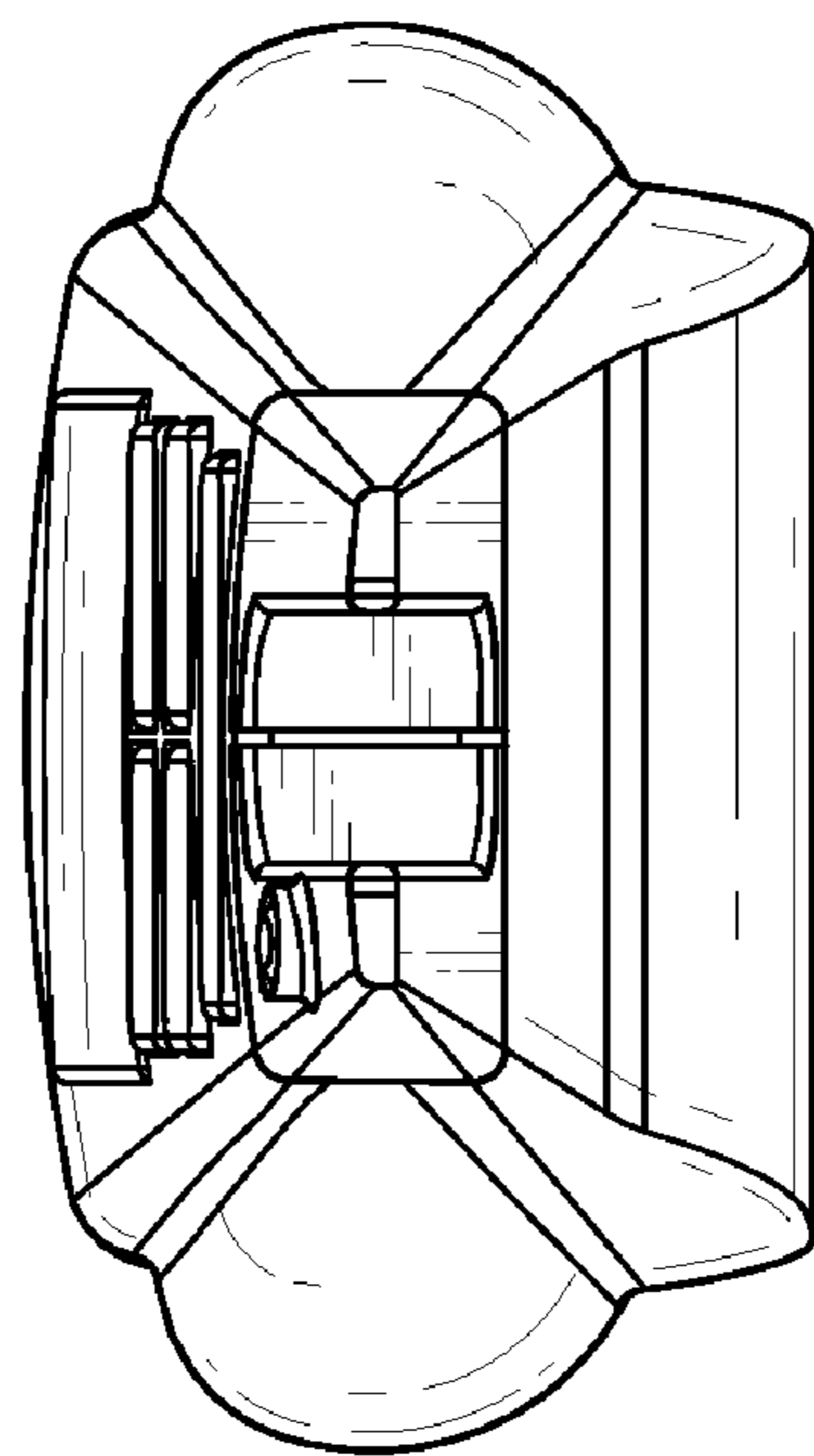


FIG.2

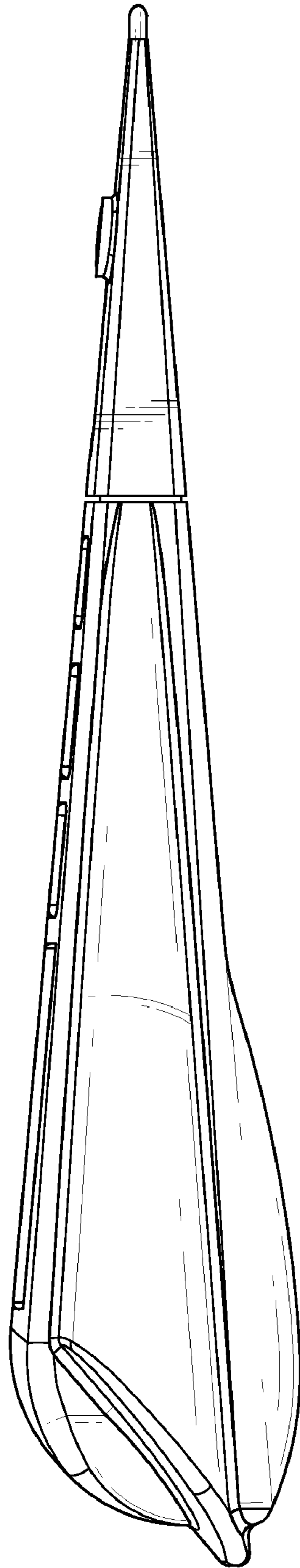


FIG.4

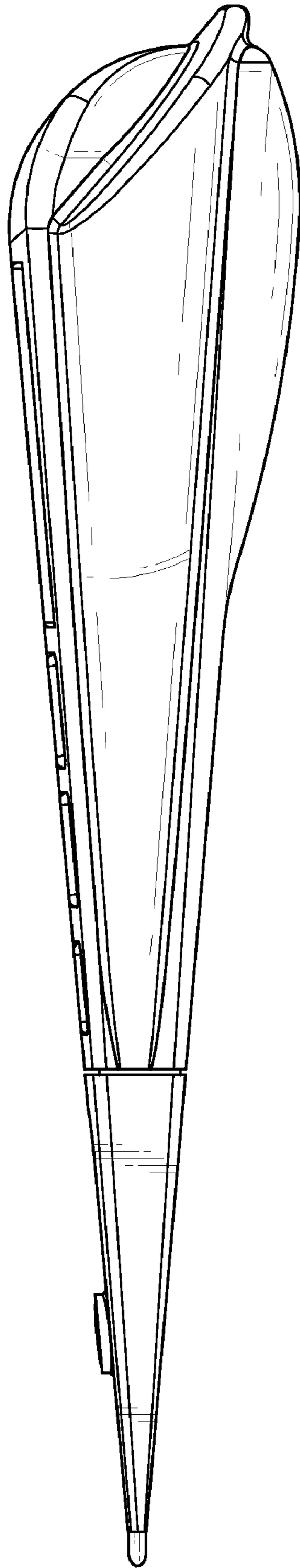


FIG. 5

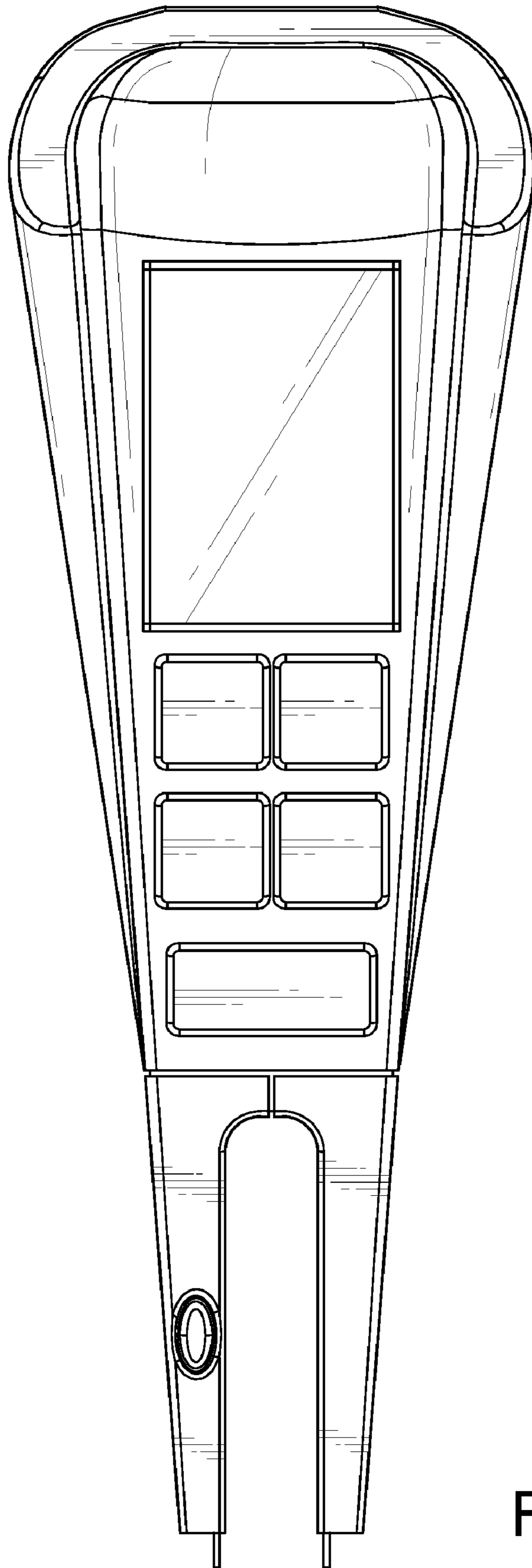


FIG.6

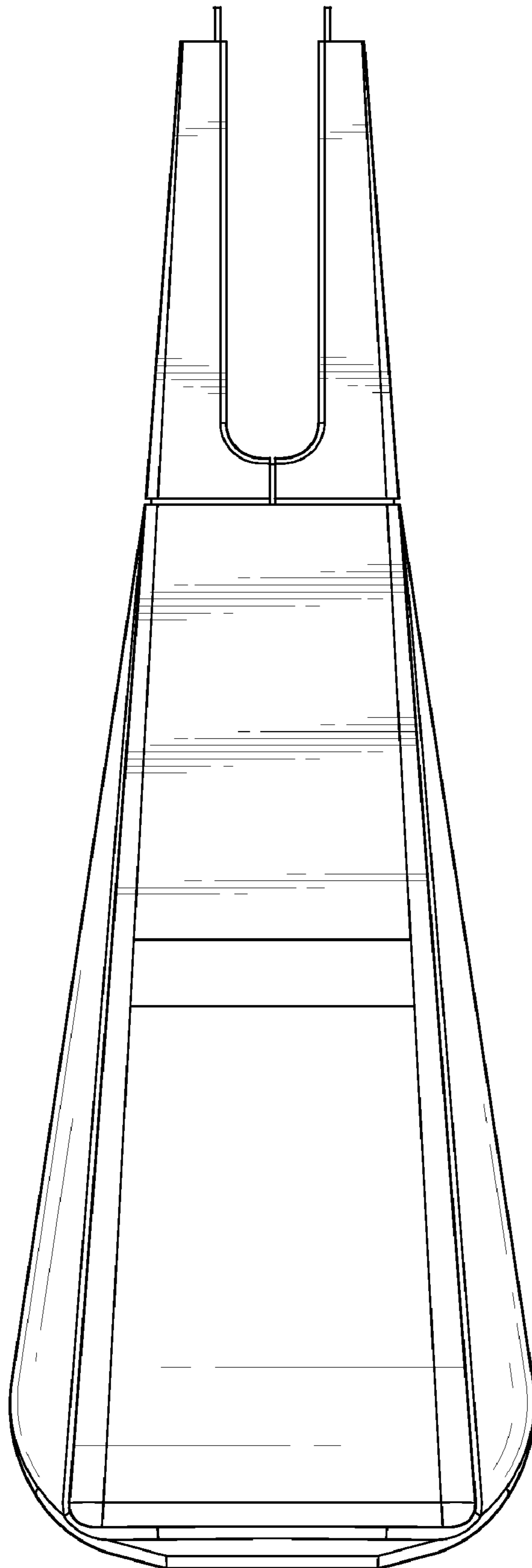


FIG.7

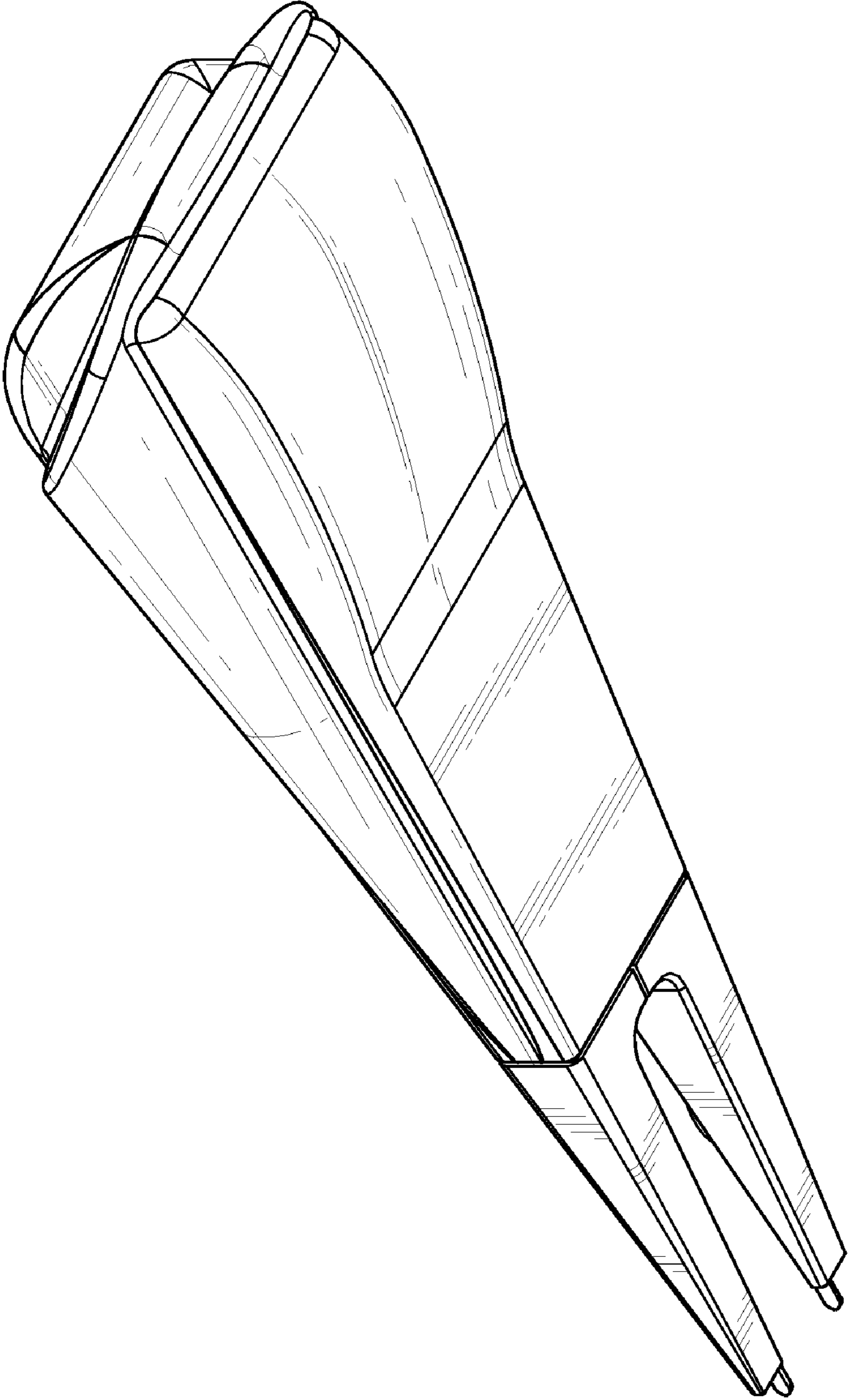


FIG.8

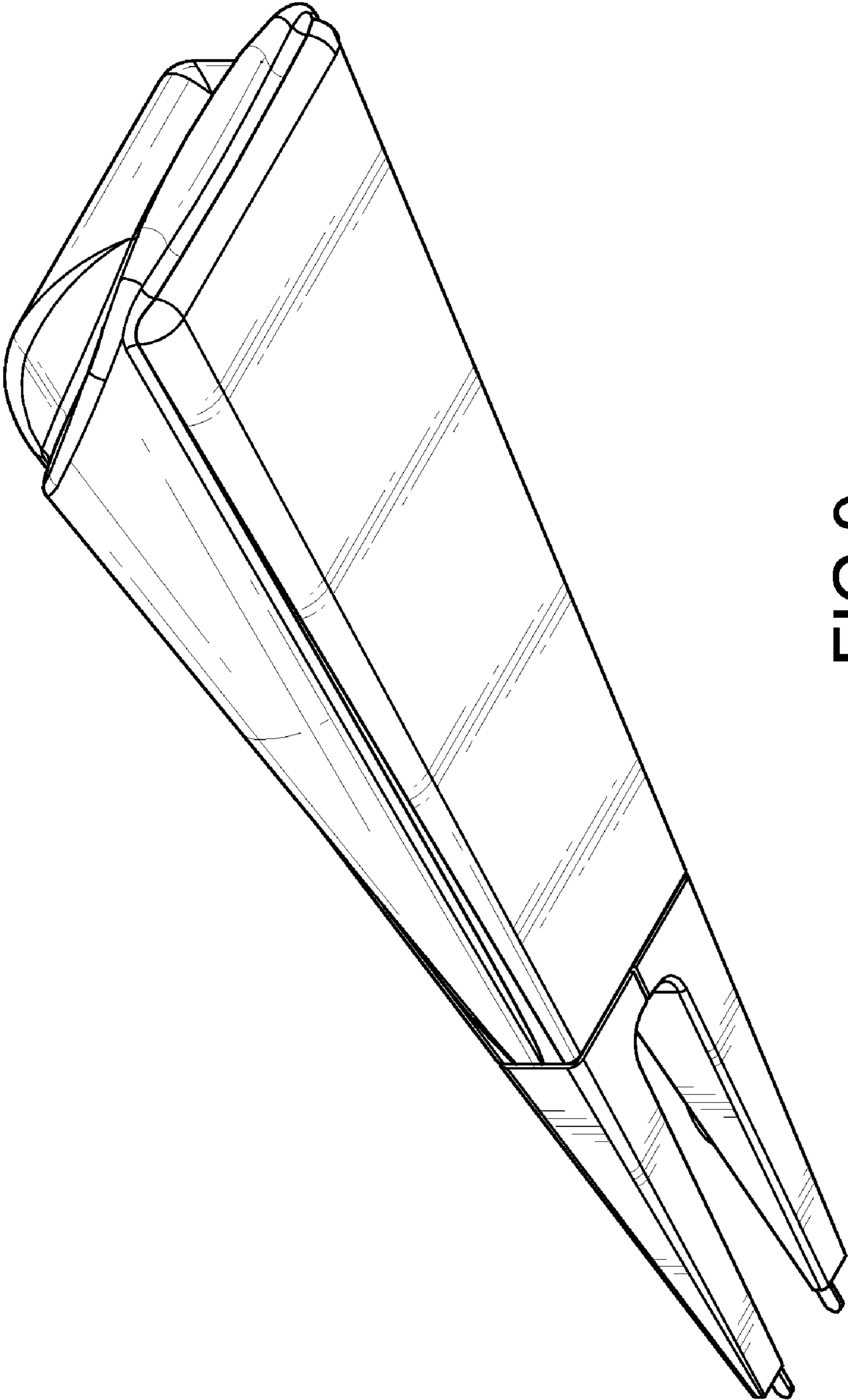


FIG.9