



US00D641271S

(12) **United States Design Patent**  
**Tan**

(10) **Patent No.:** **US D641,271 S**

(45) **Date of Patent:** **\*\* \*Jul. 12, 2011**

(54) **MULTI-FUNCTION DIGITAL ELECTRIC METER**

(75) Inventor: **Yu-Chen Tan**, Chung-Ho (TW)

(73) Assignee: **Brymen Technology Corporation**, Taipei (TW)

(\*) Notice: This patent is subject to a terminal disclaimer.

(\*\*) Term: **14 Years**

(21) Appl. No.: **29/364,705**

(22) Filed: **Jun. 28, 2010**

(51) **LOC (9) Cl.** ..... **10-04**

(52) **U.S. Cl.** ..... **D10/78**

(58) **Field of Classification Search** ..... D10/78;  
324/66, 67, 158 P, 539-542, 72.5, 556, 133,  
324/149, 503, 543, 555, 72, 754, 115, 141,  
324/114, 145, 156, 508; 379/21, 60, 66,  
379/96, 106.01-106.11; 340/635, 687, 654;  
73/866.5

See application file for complete search history.

(56) **References Cited**

**U.S. PATENT DOCUMENTS**

D257,014 S \* 9/1980 Cressman et al. .... D10/78  
D351,562 S \* 10/1994 Moffatt et al. .... D10/78

D615,430 S \* 5/2010 Wieberdink et al. .... D10/78  
D625,211 S \* 10/2010 Chun ..... D10/78  
D629,319 S \* 12/2010 Tian ..... D10/78  
2009/0146644 A1 \* 6/2009 Tan et al. .... 324/149  
2009/0189597 A1 \* 7/2009 Lagerberg et al. .... 324/133

\* cited by examiner

*Primary Examiner* — Antoine D Davis

(74) *Attorney, Agent, or Firm* — Chun-Ming Shih; HDLS IPR Services

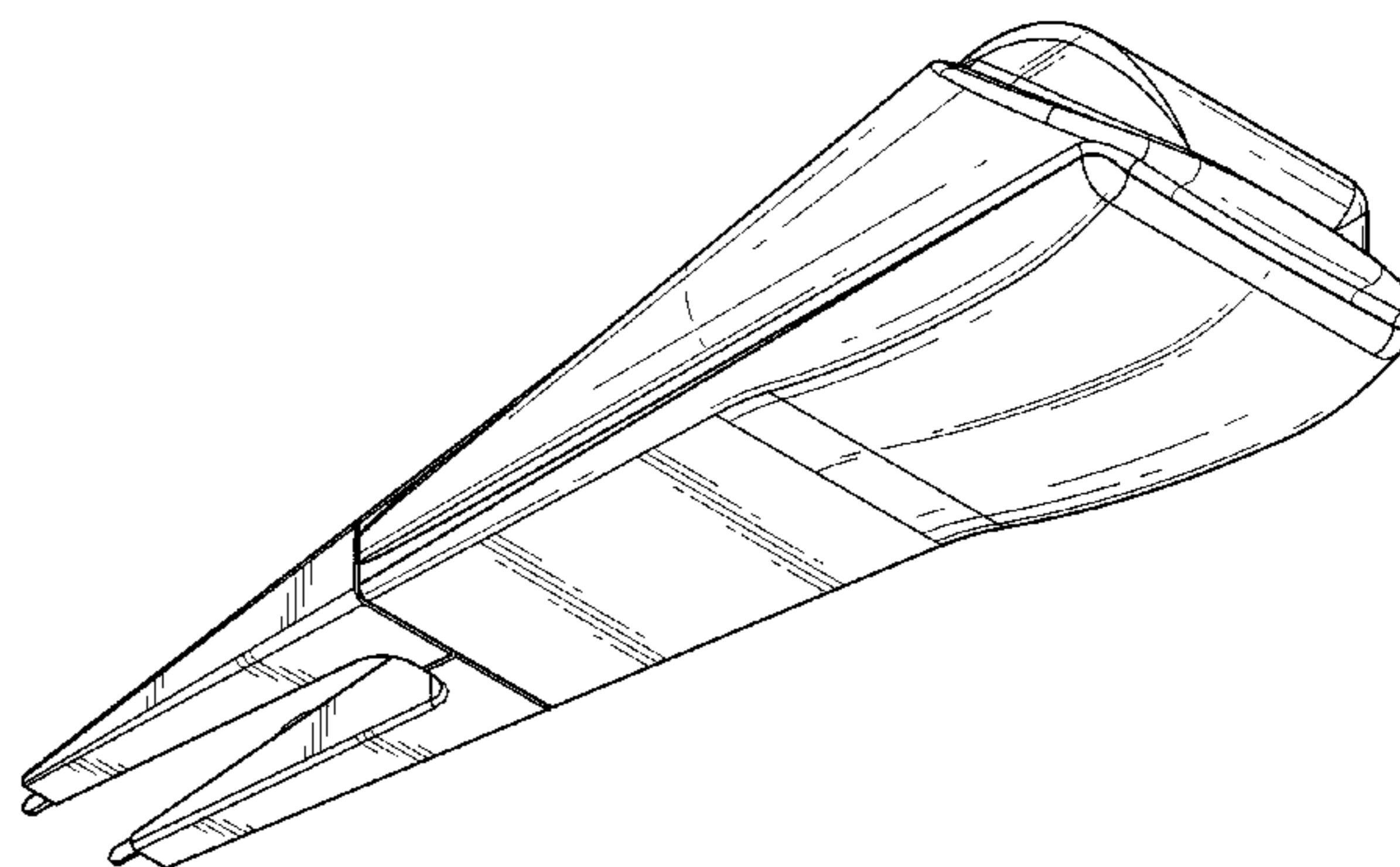
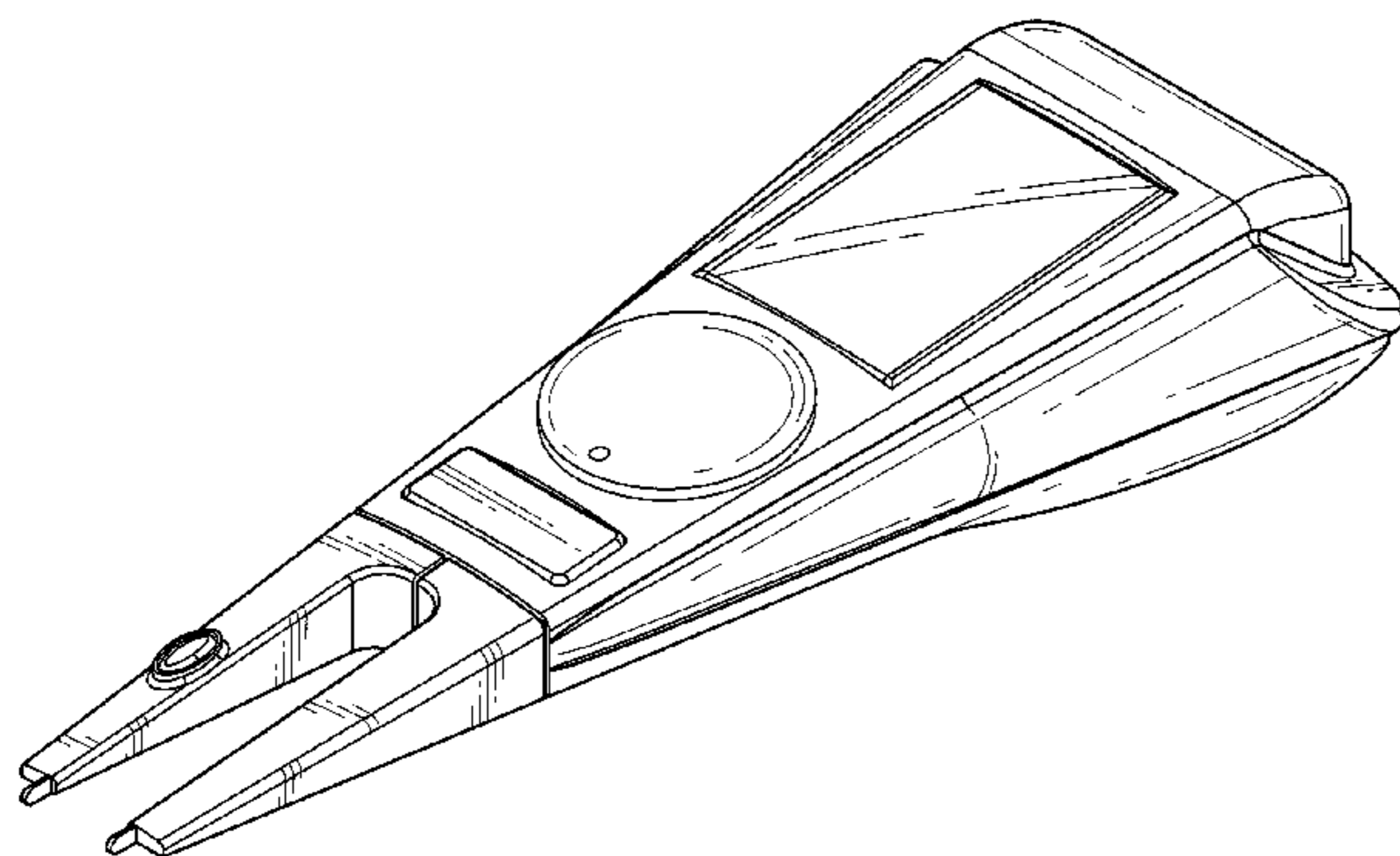
(57) **CLAIM**

The ornamental design for a multi-function digital electric meter, as shown and described.

**DESCRIPTION**

FIG. 1 is a perspective view of a multi-function digital electric meter showing my new design;  
FIG. 2 is a front view thereof;  
FIG. 3 is a rear view thereof;  
FIG. 4 is a left side view thereof;  
FIG. 5 is a right side view thereof;  
FIG. 6 is a top view thereof;  
FIG. 7 is a bottom view thereof; and,  
FIG. 8 is another perspective view showing the multi-function digital electric meter.

**1 Claim, 7 Drawing Sheets**



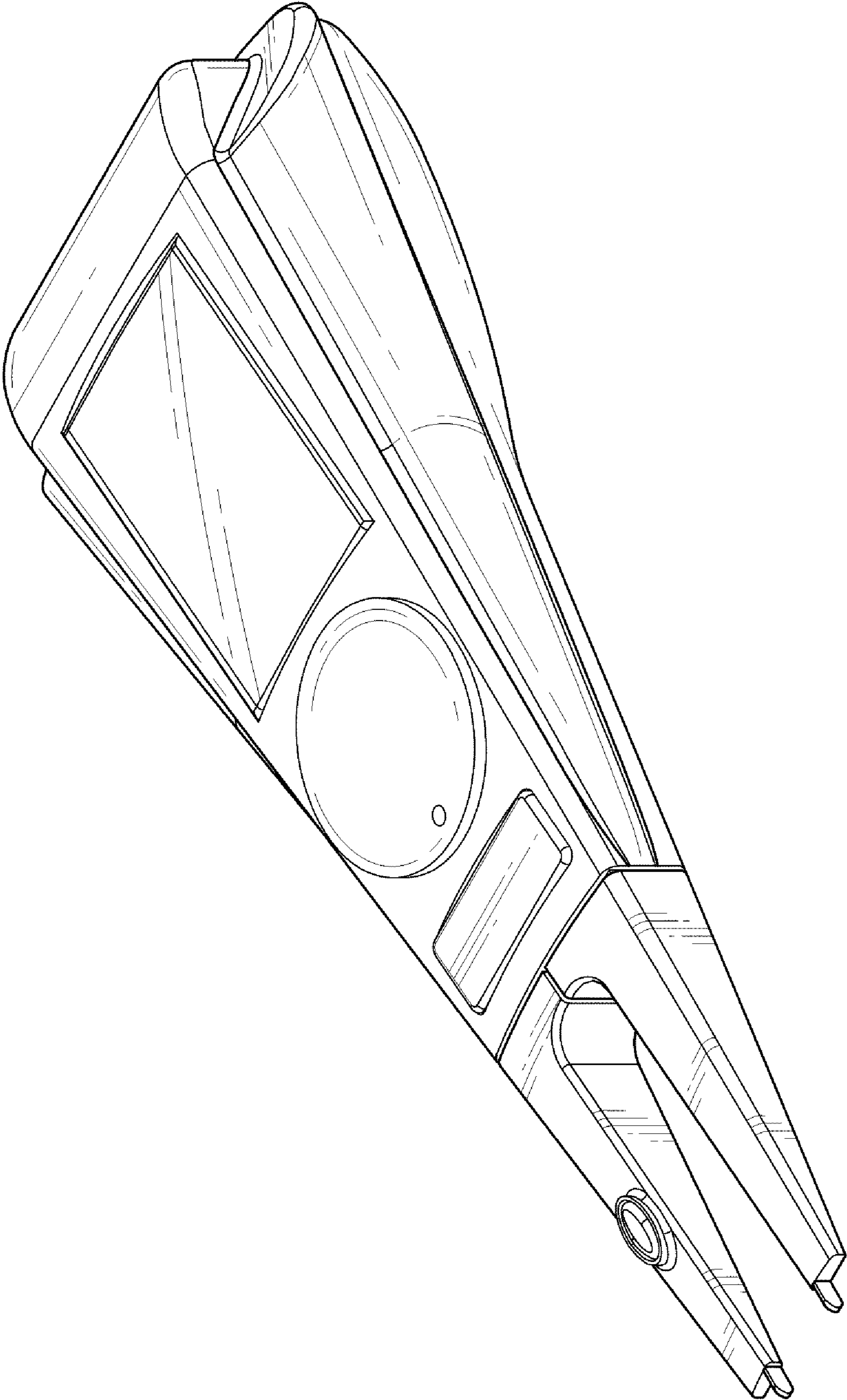


FIG.1

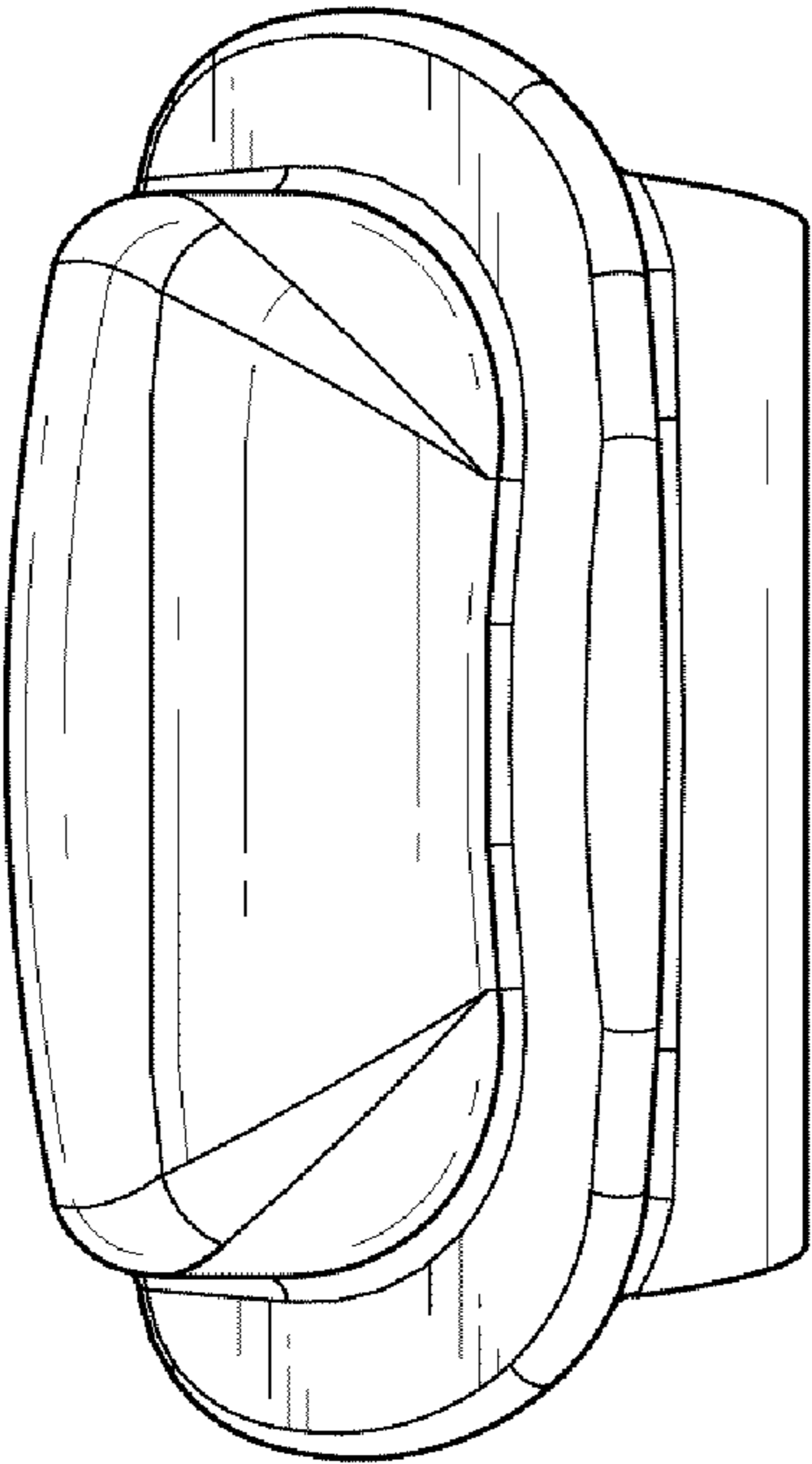


FIG.3

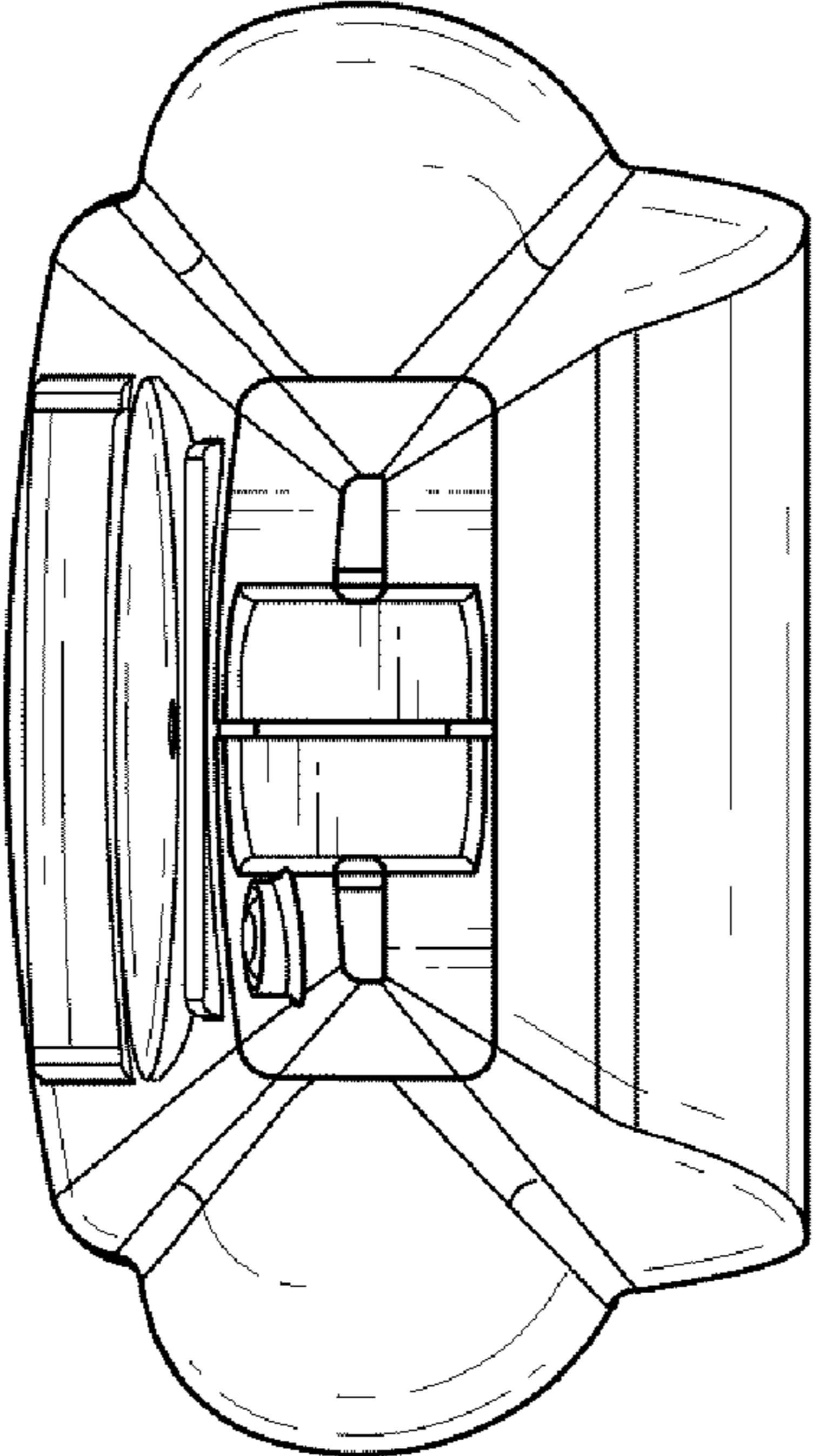


FIG.2

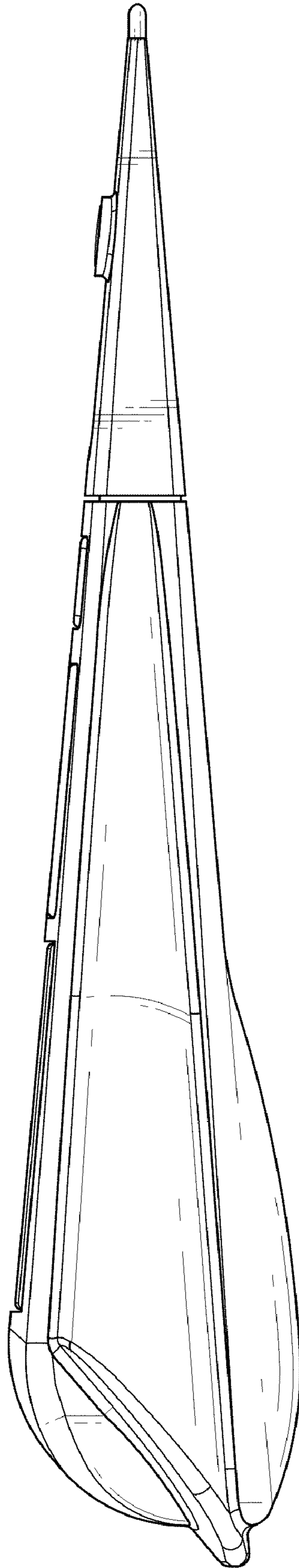


FIG.4

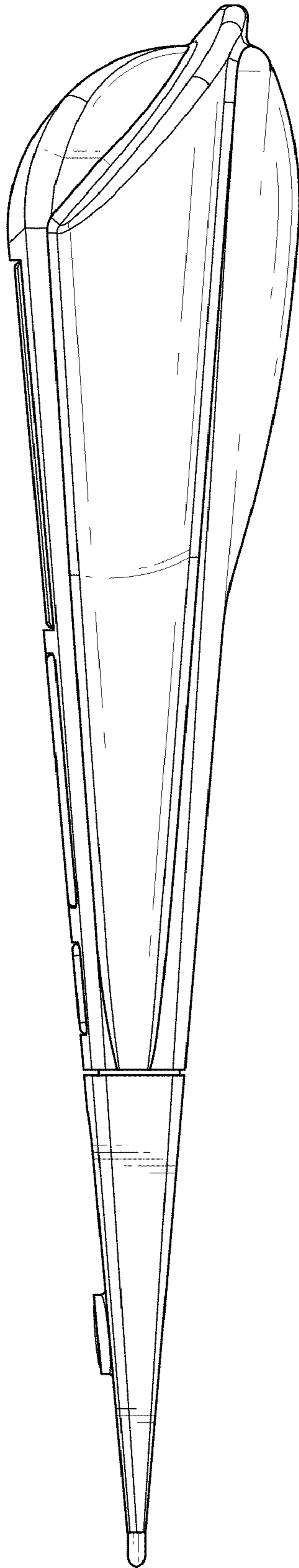


FIG.5



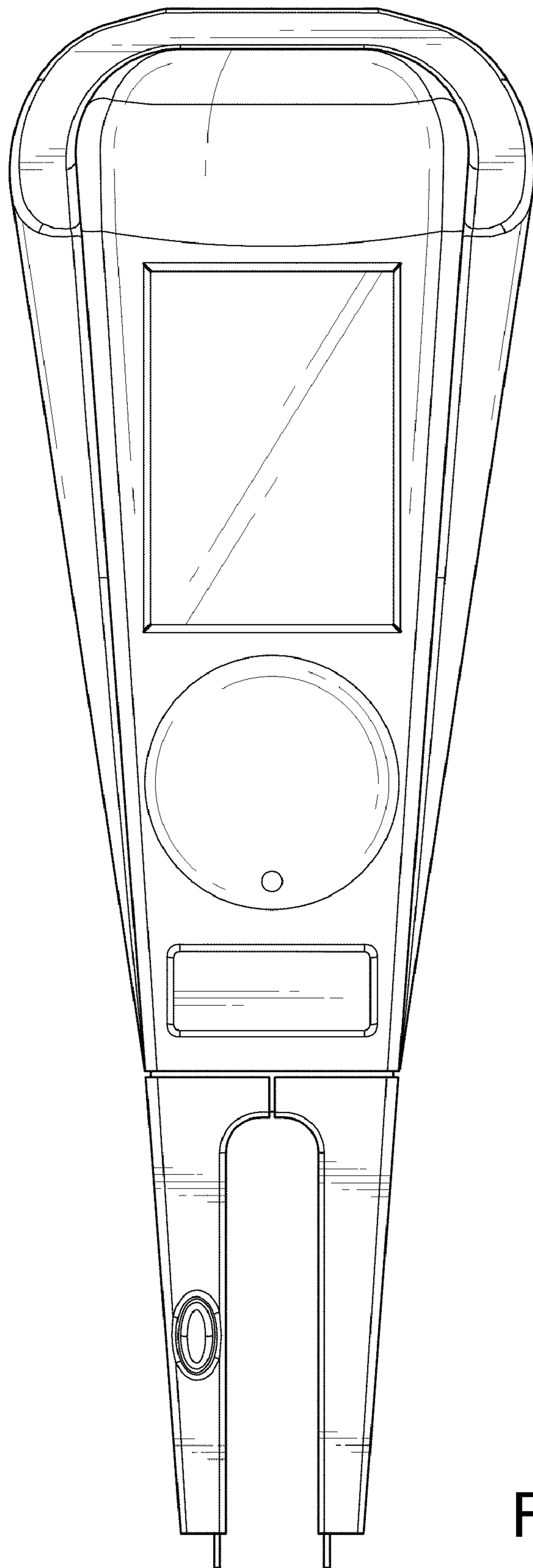


FIG.6

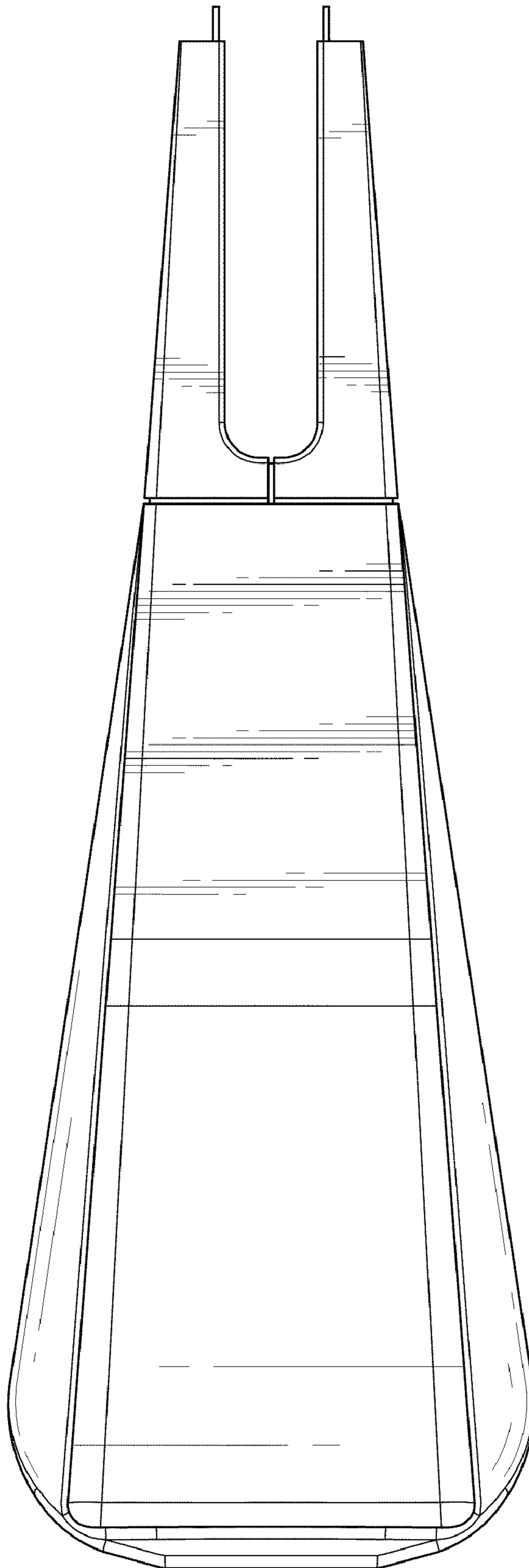


FIG.7

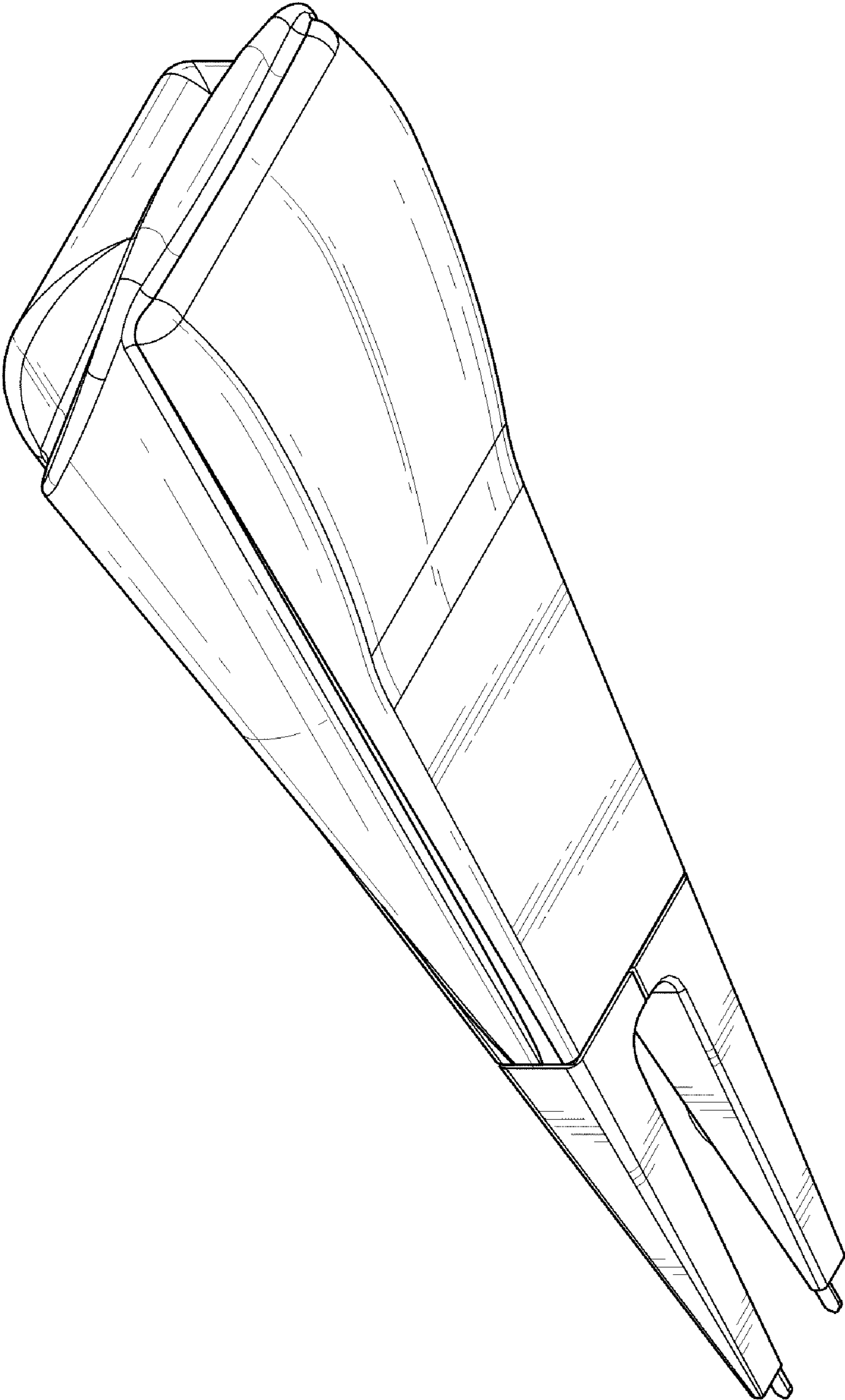


FIG.8