



US00D641270S

(12) **United States Design Patent**  
**Whitcomb et al.**

(10) **Patent No.:** **US D641,270 S**  
(45) **Date of Patent:** **\*\* Jul. 12, 2011**

(54) **HAND HELD MANIPULATOR FOR A VIDEO INSPECTION DEVICE**

(75) Inventors: **Shepherd Whitcomb**, Ann Arbor, MI (US); **Jeff Miller**, Northville, MI (US)

(73) Assignee: **Perceptron, Inc.**, Plymouth, MI (US)

(\*\*) Term: **14 Years**

(21) Appl. No.: **29/362,394**

(22) Filed: **May 25, 2010**

(51) **LOC (9) Cl.** ..... **10-04**

(52) **U.S. Cl.** ..... **D10/78; D10/104**

(58) **Field of Classification Search** ..... D10/78, D10/104, 46; D16/202; 250/208.1, 330, 250/336.1, 338.1, 339.03, 395, 256; 348/65-68, 348/77, 141, 84, 45, 74; 362/1, 109, 294, 362/373, 399; 713/176; 324/329, 67, 326; 73/623, 865.8, 151; 356/241, 237, 378; 15/324, 15/339; 385/116, 117; 29/729, 592.1, 593; 439/585, 587, 588, 589; 600/109, 129, 131, 600/175, 177

See application file for complete search history.

(56) **References Cited**

**U.S. PATENT DOCUMENTS**

5,373,317	A	12/1994	Salvati et al.	
7,157,705	B2	1/2007	Hamrelius et al.	
D567,123	S	4/2008	Babb et al.	
7,484,885	B1	2/2009	Carlson et al.	
D594,361	S	6/2009	Miller et al.	
D594,362	S	6/2009	Miller	
7,584,534	B2	9/2009	Pease et al.	
7,679,041	B2	3/2010	Lia	
D613,863	S	4/2010	Chen	
7,758,495	B2 *	7/2010	Pease et al.	600/104
7,767,963	B1 *	8/2010	Fujii	250/330
7,902,990	B2 *	3/2011	Delmonico et al.	340/636.1

**OTHER PUBLICATIONS**

Milwaukee Digital Inspection Camera, Operator's Manual, product commercially available, Jun. 2008.

Video Stik Inspection Scope, Operator's Manual, product commercially available Mar. 2008.

\* cited by examiner

*Primary Examiner* — Antoine D Davis

(74) *Attorney, Agent, or Firm* — Harness, Dickey & Pierce, P.L.C.

(57) **CLAIM**

The ornamental design for a hand held manipulator for a video inspection device, as shown and described.

**DESCRIPTION**

FIG. 1 is a perspective view of an exemplary video inspection device which embodies a housing in accordance with the present design;

FIG. 2 is a perspective view of a first embodiment of the housing;

FIG. 3 is a rear view of the first embodiment of the housing;

FIG. 4 is a front view of the first embodiment of the housing;

FIG. 5 is a side view of the first embodiment of the housing, the other side view being a mirror image thereof;

FIG. 6 is a top view of the first embodiment of the housing;

FIG. 7 is a bottom view of the first embodiment of the housing;

FIG. 8 is a perspective view of a second embodiment of an exemplary video inspection device which embodies a housing in accordance with the present design;

FIG. 9 is a perspective view of the second embodiment of the housing;

FIG. 10 is a rear view of the second embodiment of the housing;

FIG. 11 is a front view of the second embodiment of the housing;

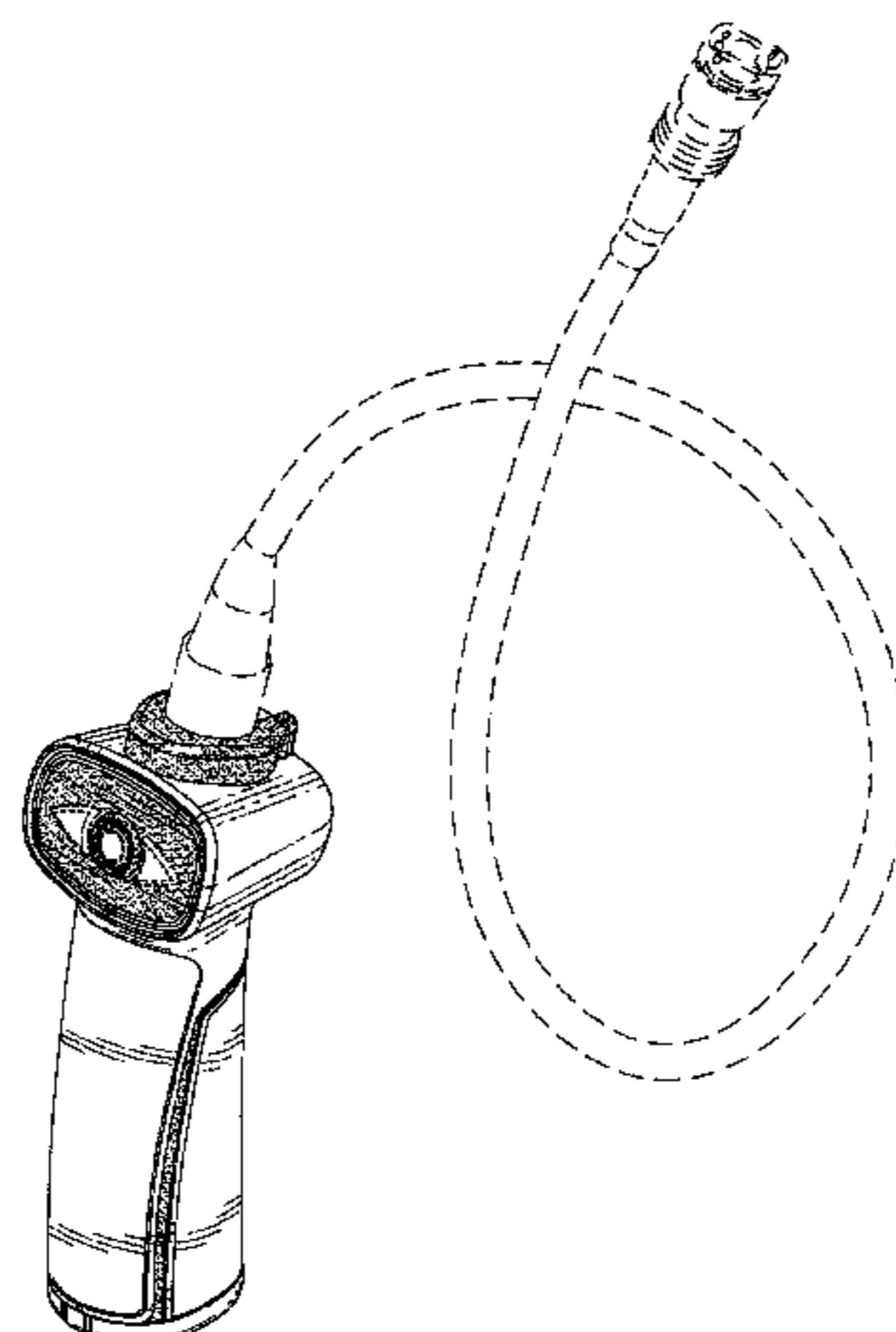
FIG. 12 is a side view of the second embodiment of the housing, the other side view being a mirror image thereof;

FIG. 13 is a top view of the second embodiment of the housing; and,

FIG. 14 is a bottom view of the second embodiment of the housing.

It is to be understood that those portions of the housing shown in broken line in the accompanying figures do not constitute an integral part of the claimed design and, therefore, are disclaimed as part of the claimed design.

**1 Claim, 12 Drawing Sheets**



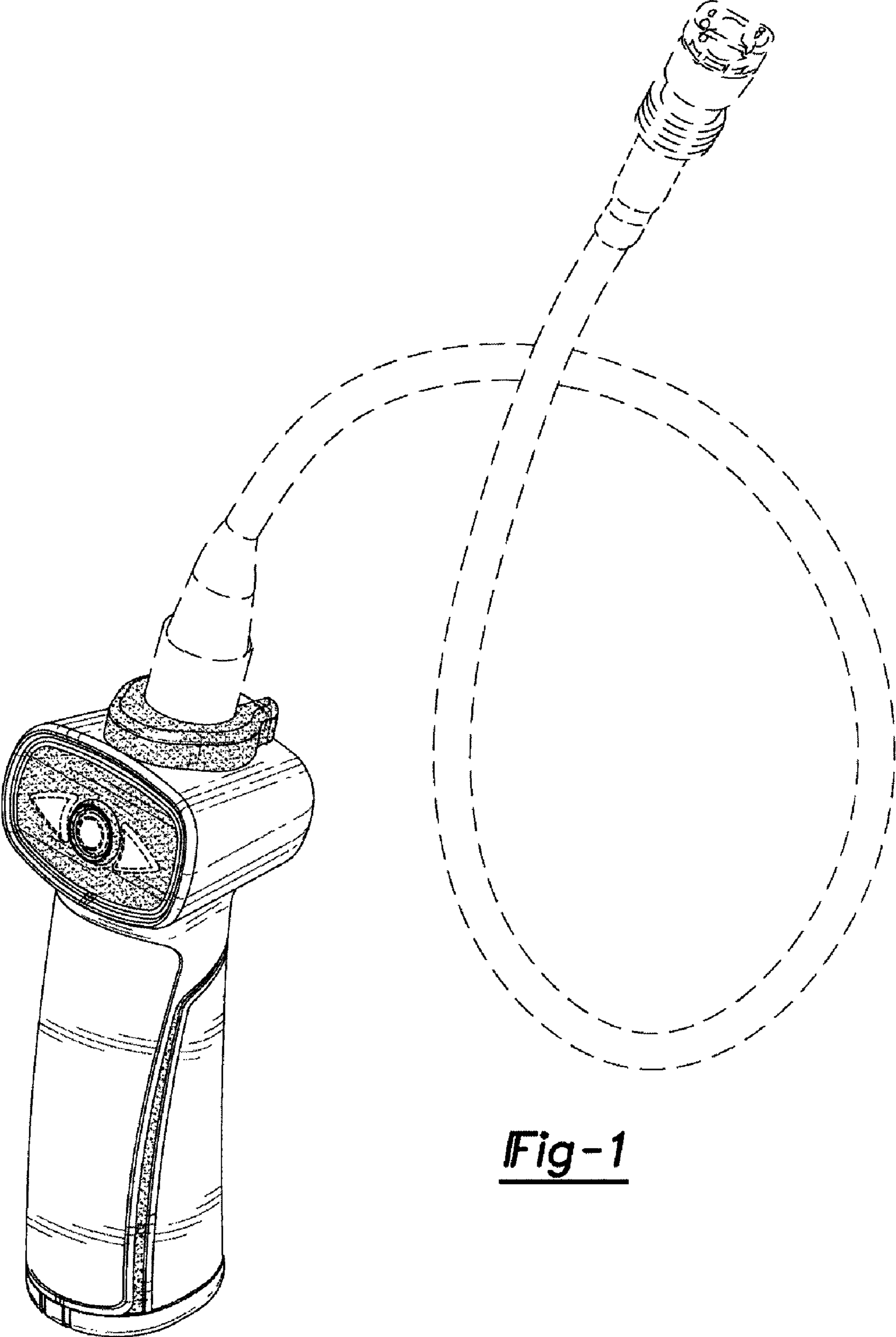


Fig-1

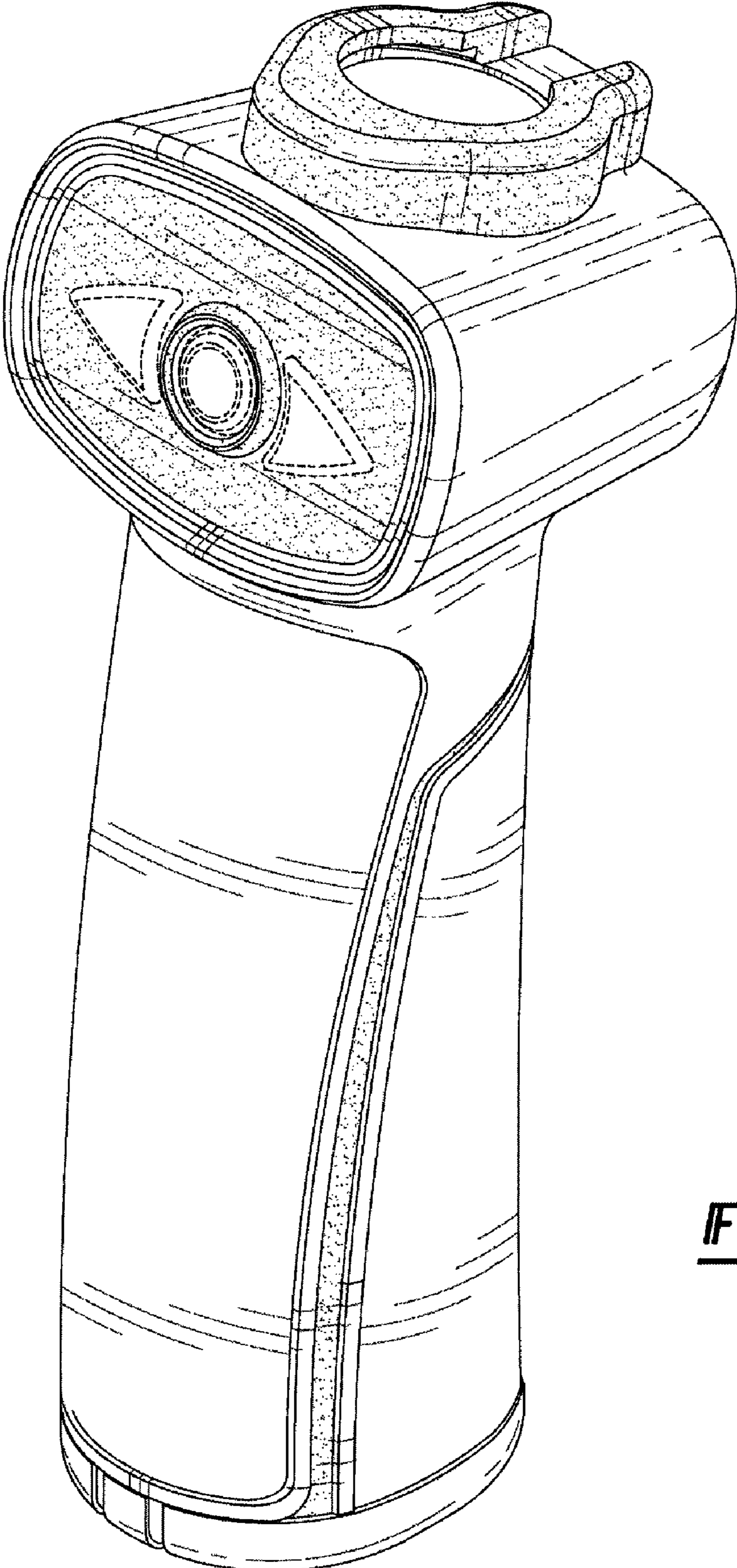


Fig-2

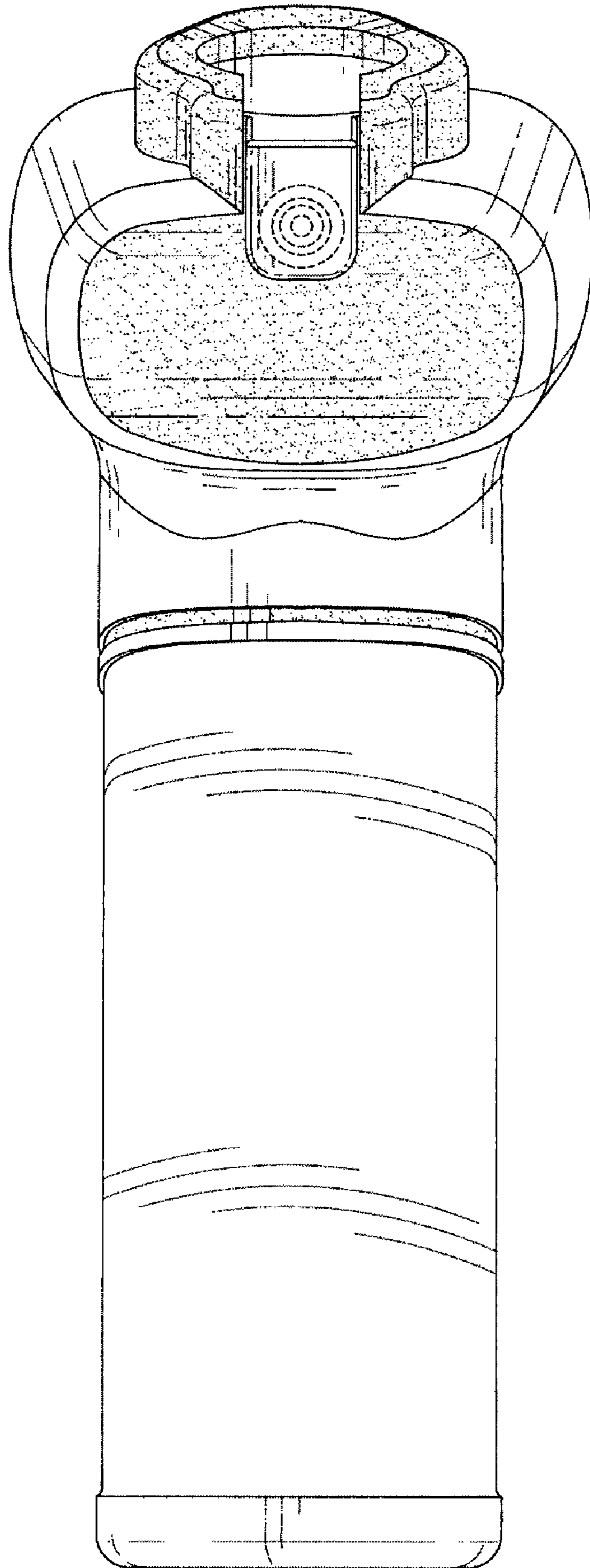


Fig-3

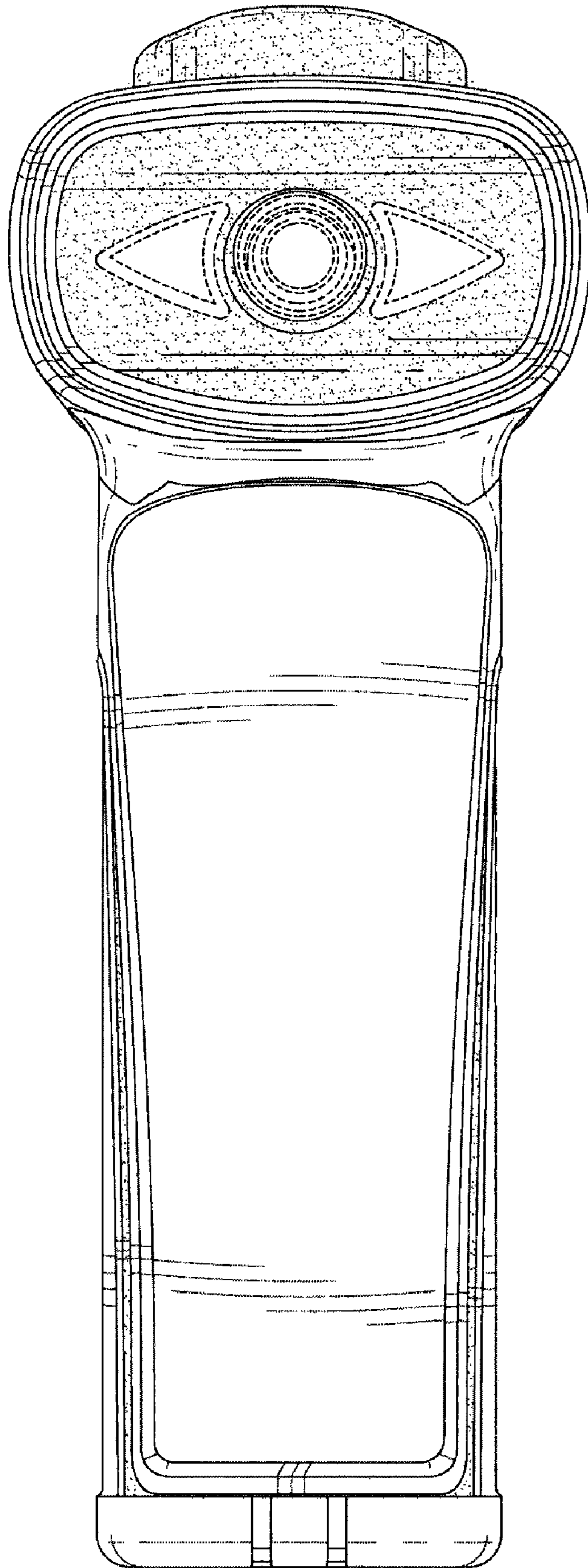


Fig-4

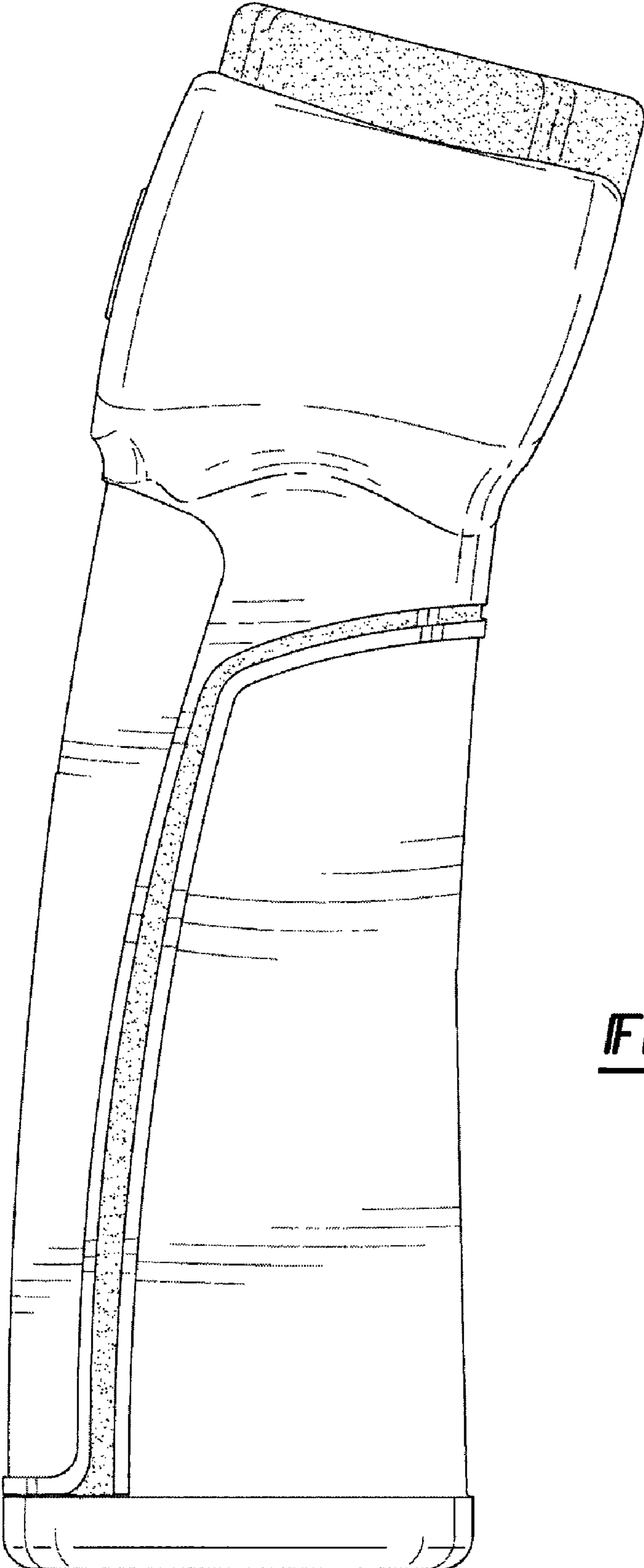


Fig-5

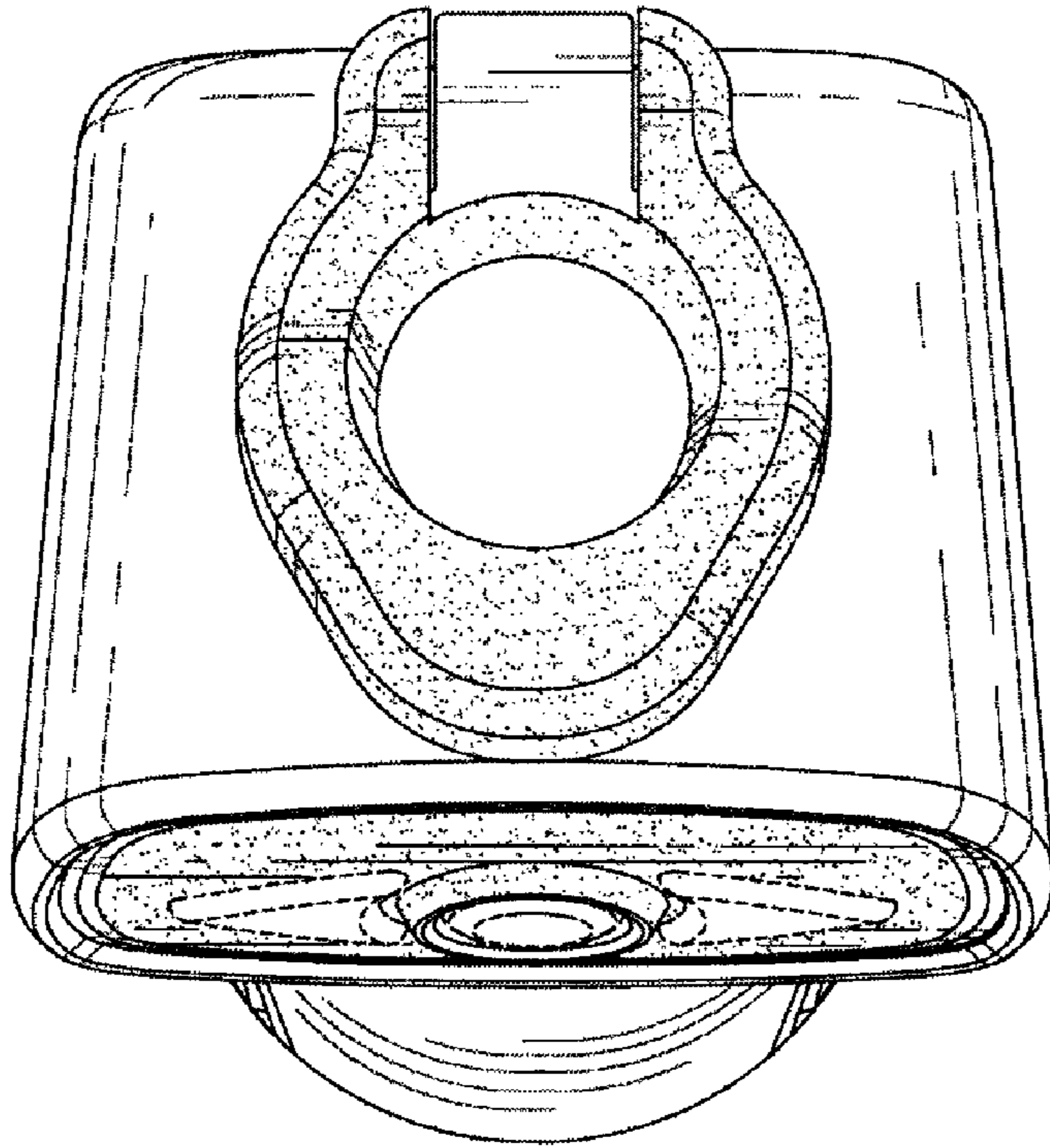


Fig-6

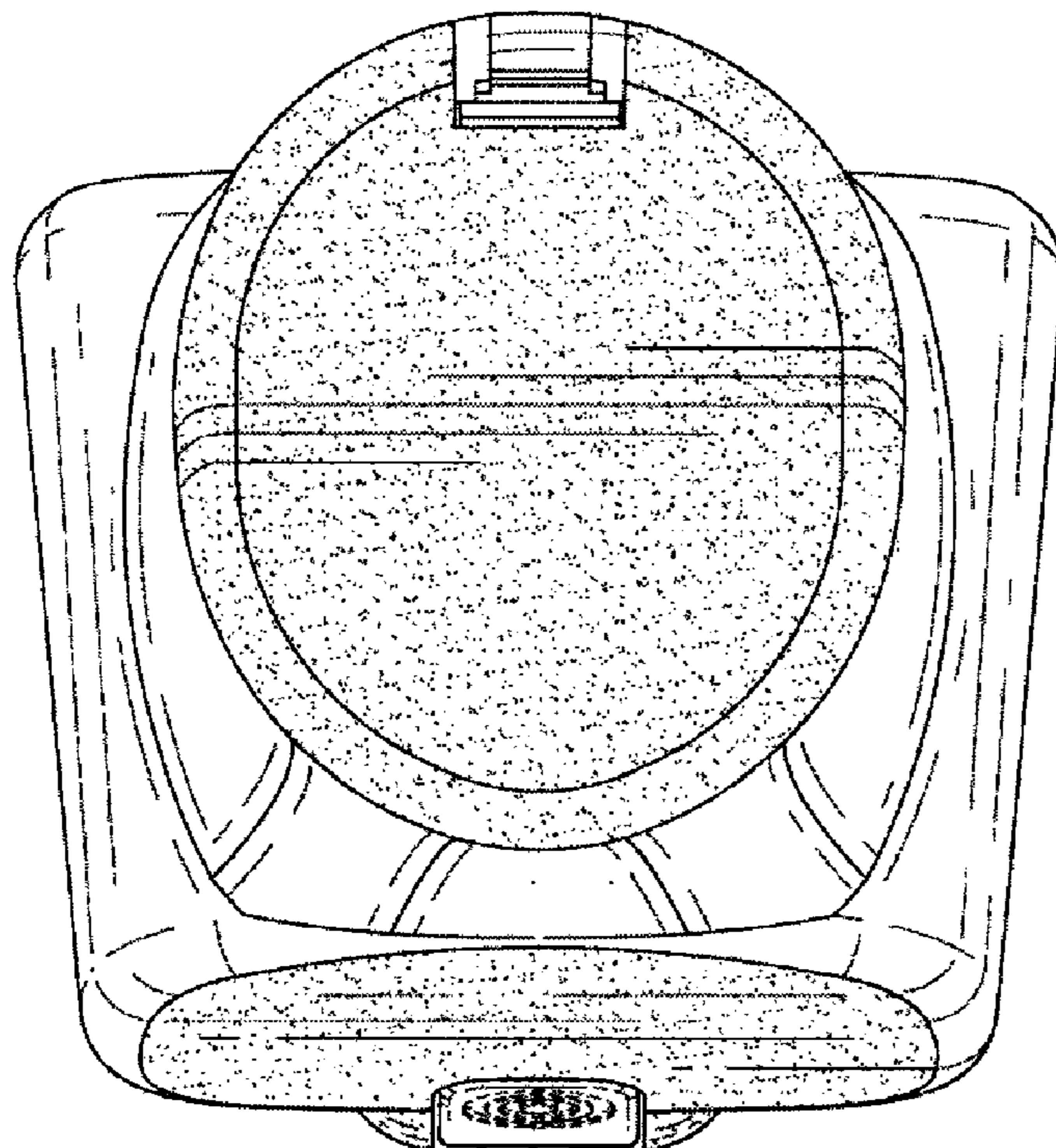


Fig-7

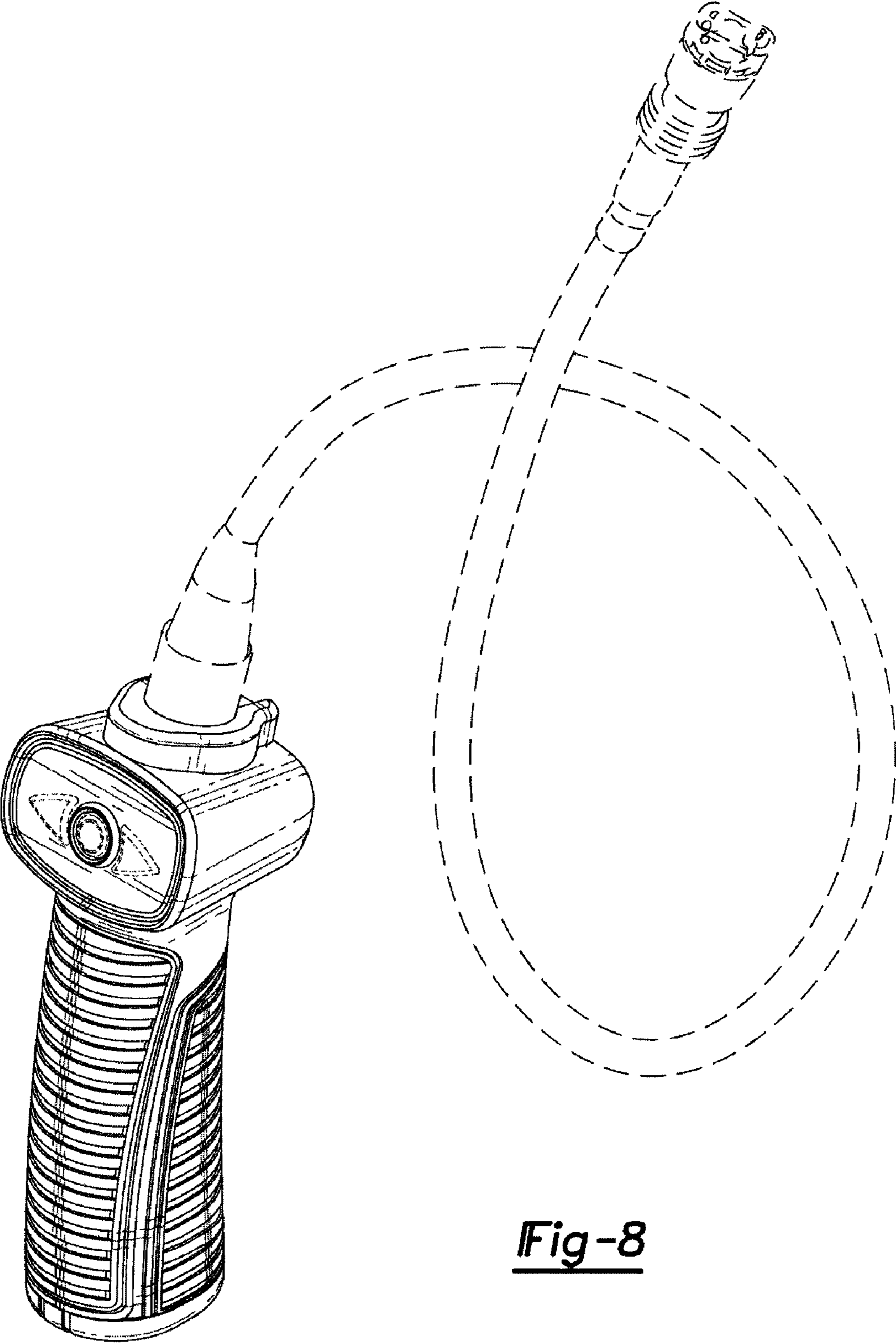


Fig-8



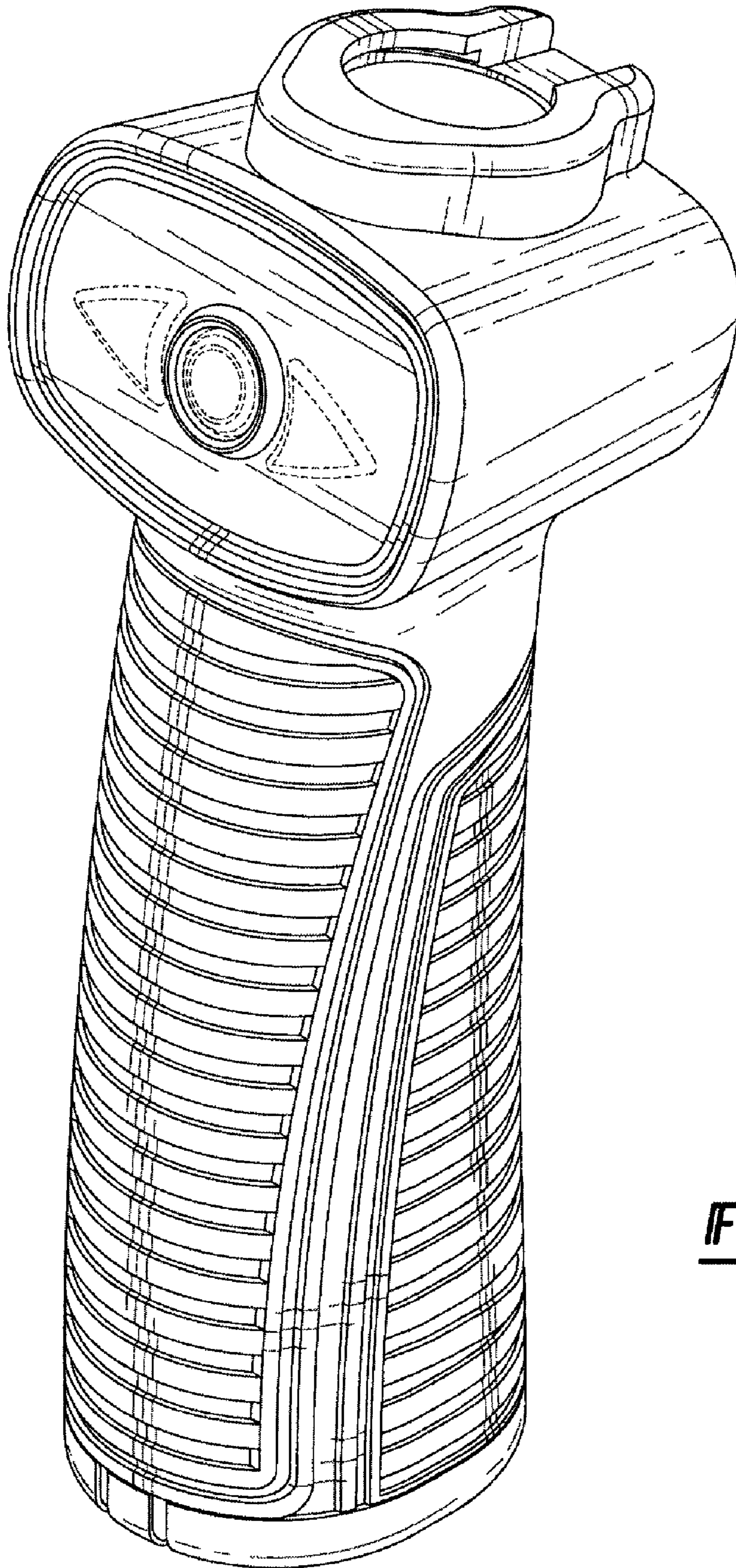


Fig-9

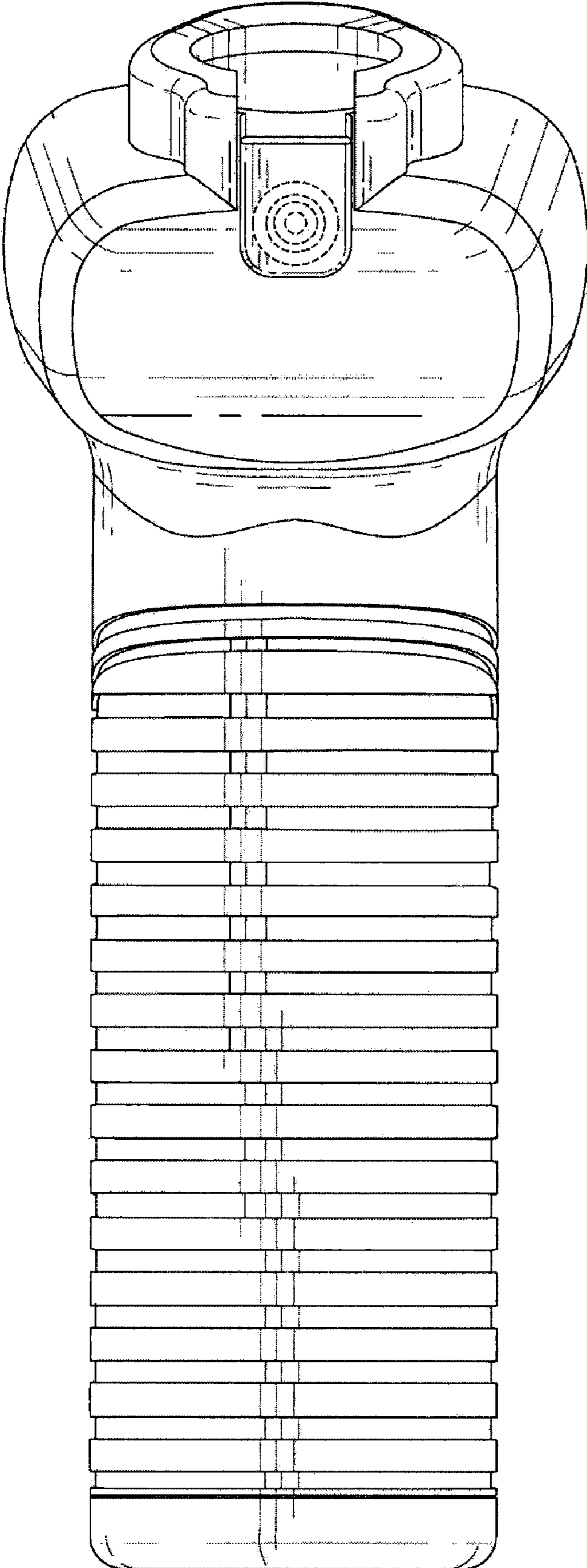


Fig-10

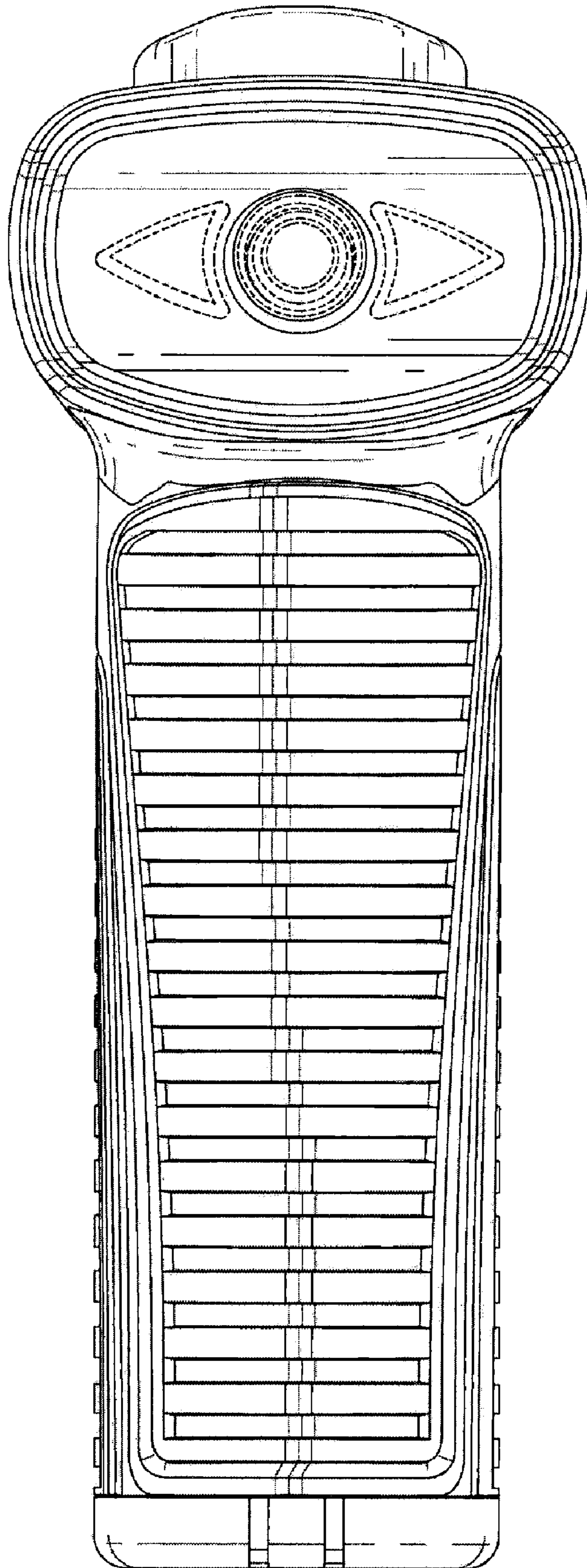


Fig-11

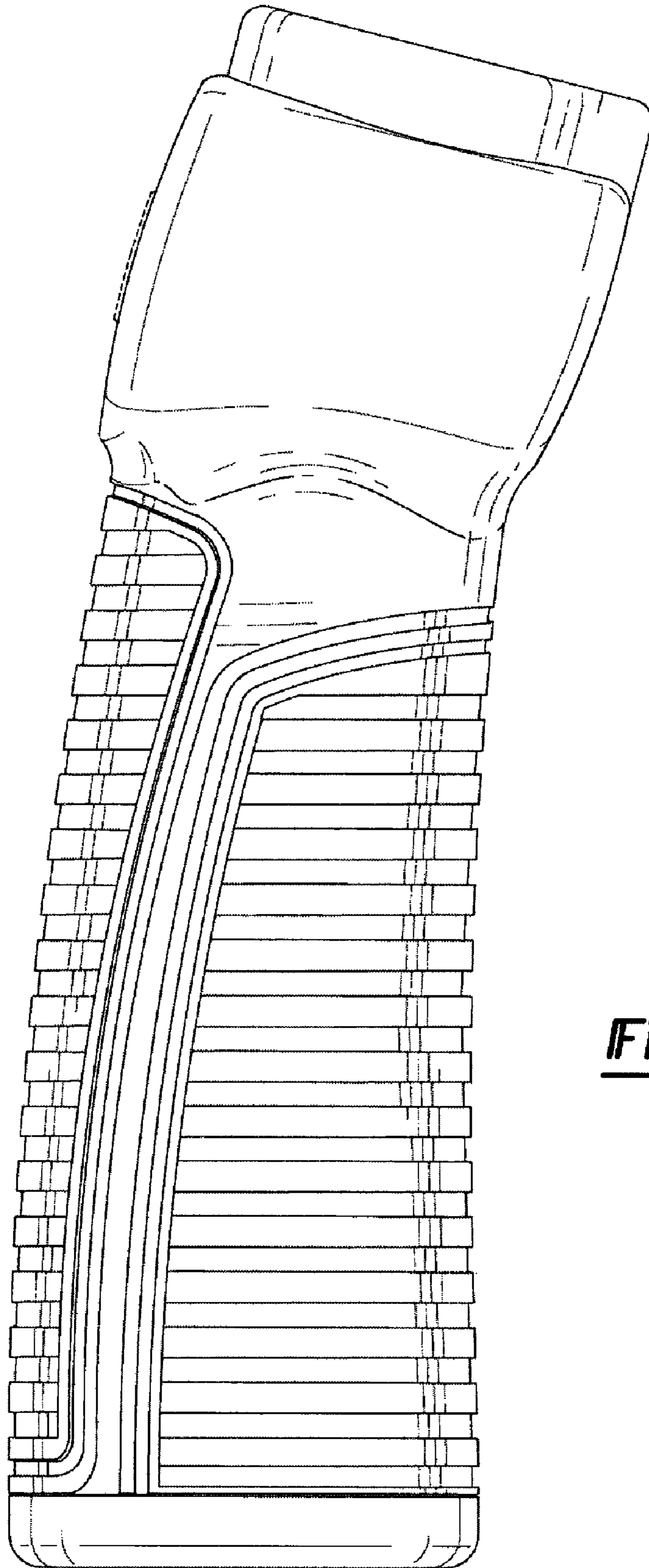


Fig-12

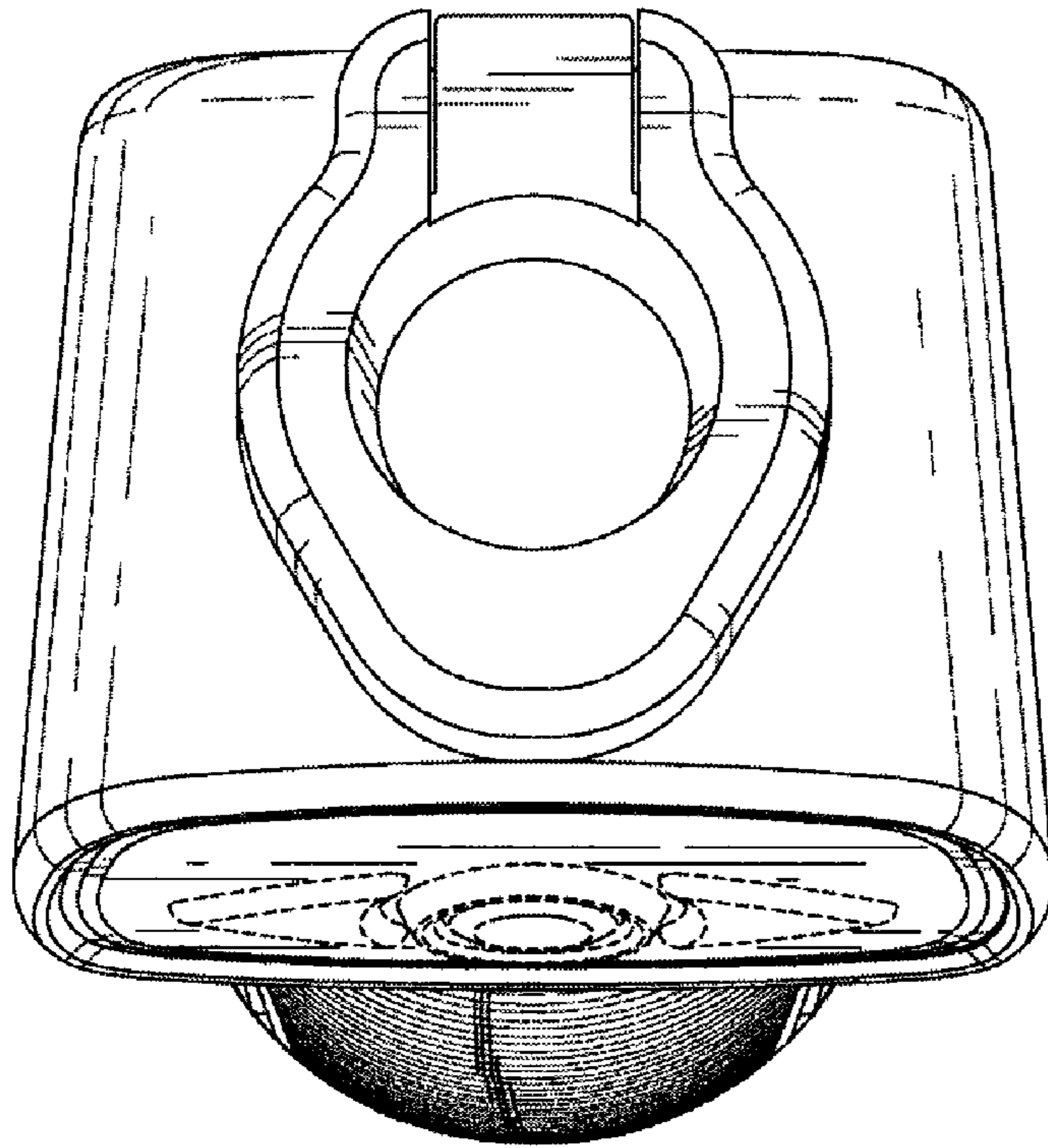


Fig-13

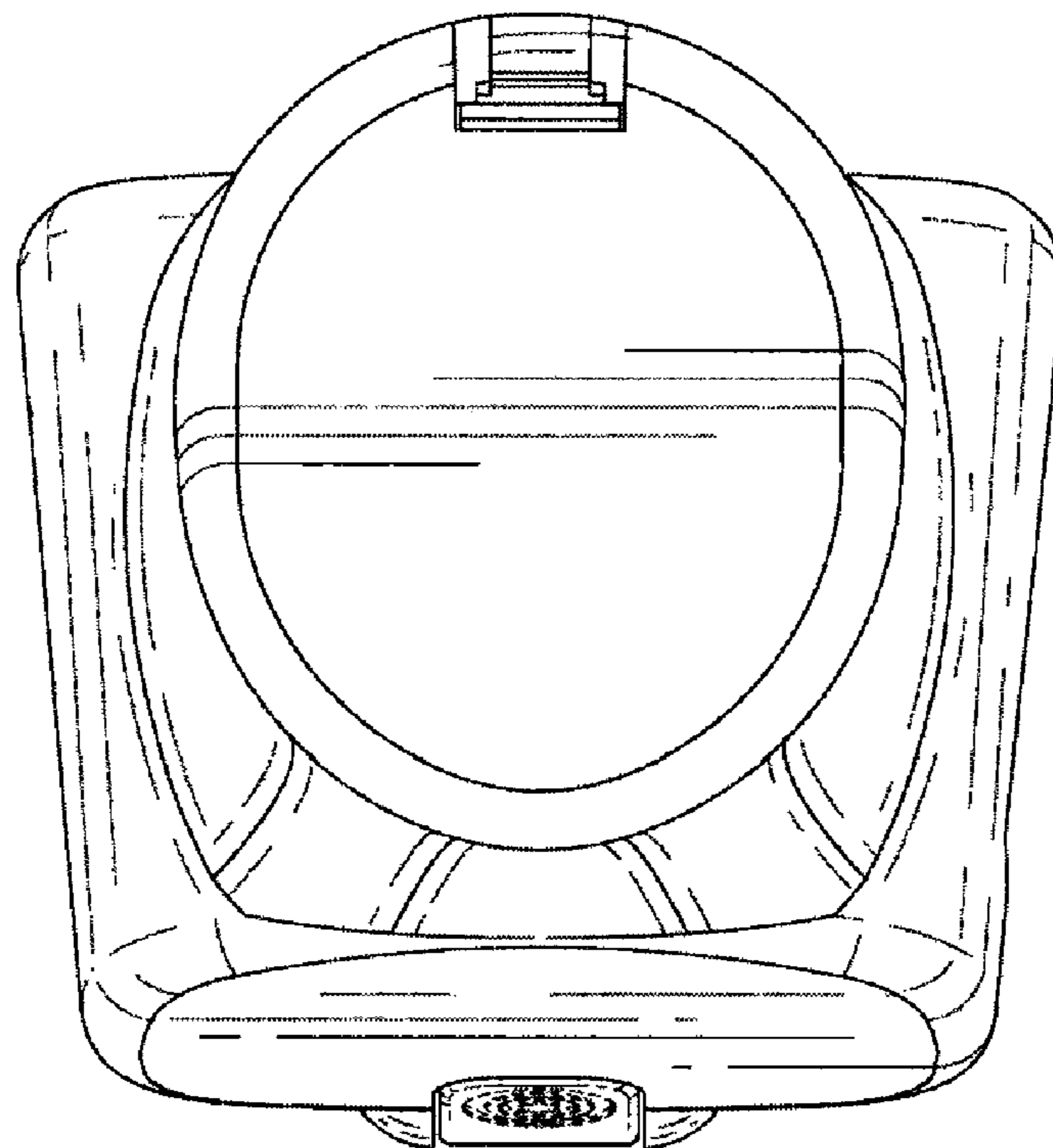


Fig-14