



US00D641269S

(12) **United States Design Patent**  
**Le Breton**

(10) **Patent No.:** **US D641,269 S**  
(45) **Date of Patent:** **\*\* Jul. 12, 2011**

(54) **WALL HOLE DRILLING GUIDE**  
(76) Inventor: **Craig Le Breton**, Sumner Park (AU)  
(\*\*) Term: **14 Years**  
(21) Appl. No.: **29/377,085**  
(22) Filed: **Oct. 15, 2010**  
(51) **LOC (9) Cl.** ..... **10-04**  
(52) **U.S. Cl.** ..... **D10/65; D10/64**  
(58) **Field of Classification Search** ..... D10/64,  
D10/65; 33/562-566; 292/337; 408/97,  
408/115 R, 241 B  
See application file for complete search history.

*Primary Examiner* — Antoine D Davis  
(74) *Attorney, Agent, or Firm* — QuickPatents, Inc.; Kevin Prince

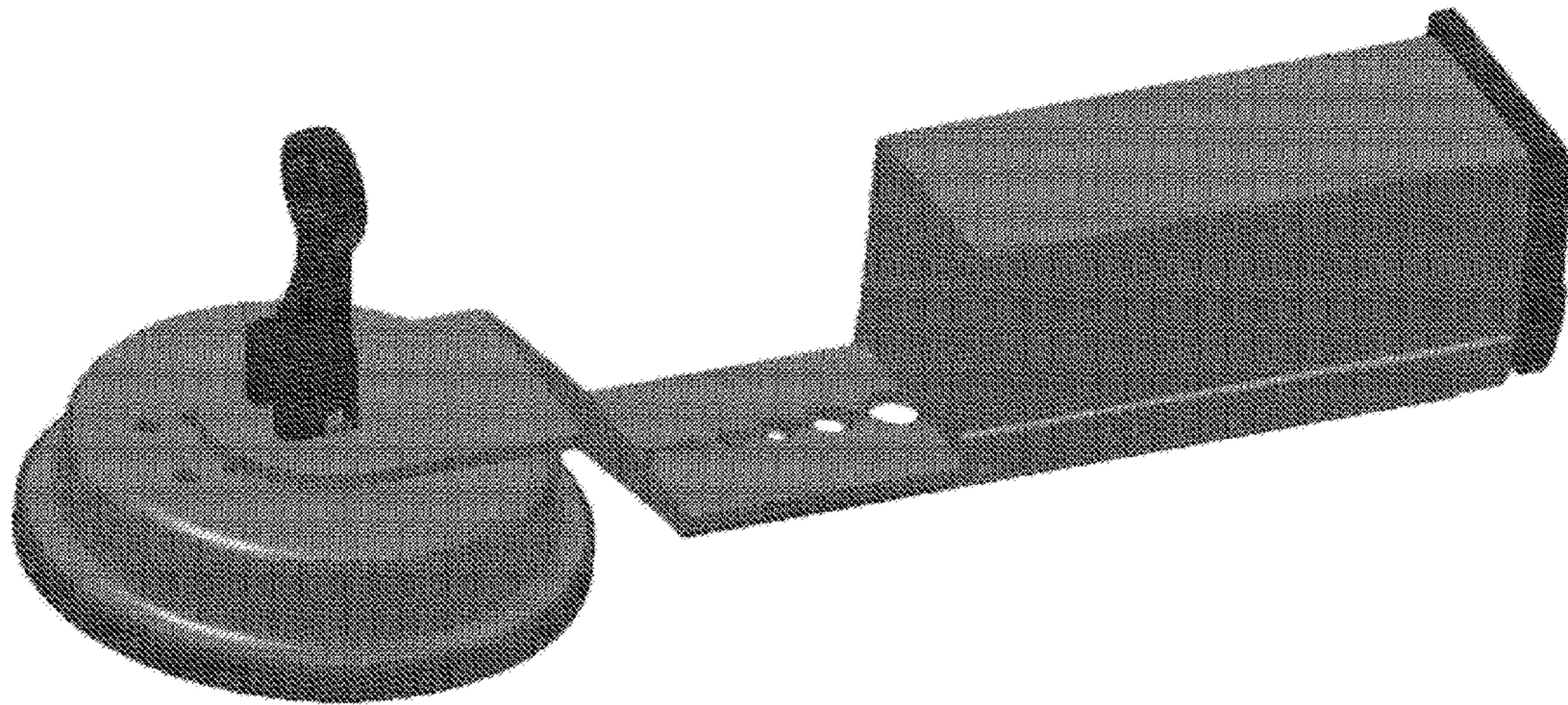
(57) **CLAIM**  
The ornamental design for a wall hole drilling guide, as shown and described.

**DESCRIPTION**

FIG. 1 is a top left perspective view of a wall hole drilling guide, showing the new design;  
FIG. 2 is a top right perspective view thereof;  
FIG. 3 is a front elevational view thereof;  
FIG. 4 is a rear elevational view thereof;  
FIG. 5 is a right-side elevational view thereof, the left-side elevational view being a mirror image thereof;  
FIG. 6 is a top plan view thereof;  
FIG. 7 is a bottom plan view thereof; and  
FIG. 8 is a bottom perspective view thereof.

(56) **References Cited**  
  
U.S. PATENT DOCUMENTS  
D393,217 S \* 4/1998 Brickman ..... D10/64  
D393,218 S \* 4/1998 Brickman ..... D10/64  
5,947,656 A \* 9/1999 Simson et al. .... 408/97  
D462,019 S \* 8/2002 Fierro ..... D10/65  
6,910,837 B2 \* 6/2005 Trettin et al. .... 408/115 B  
  
\* cited by examiner

**1 Claim, 5 Drawing Sheets**



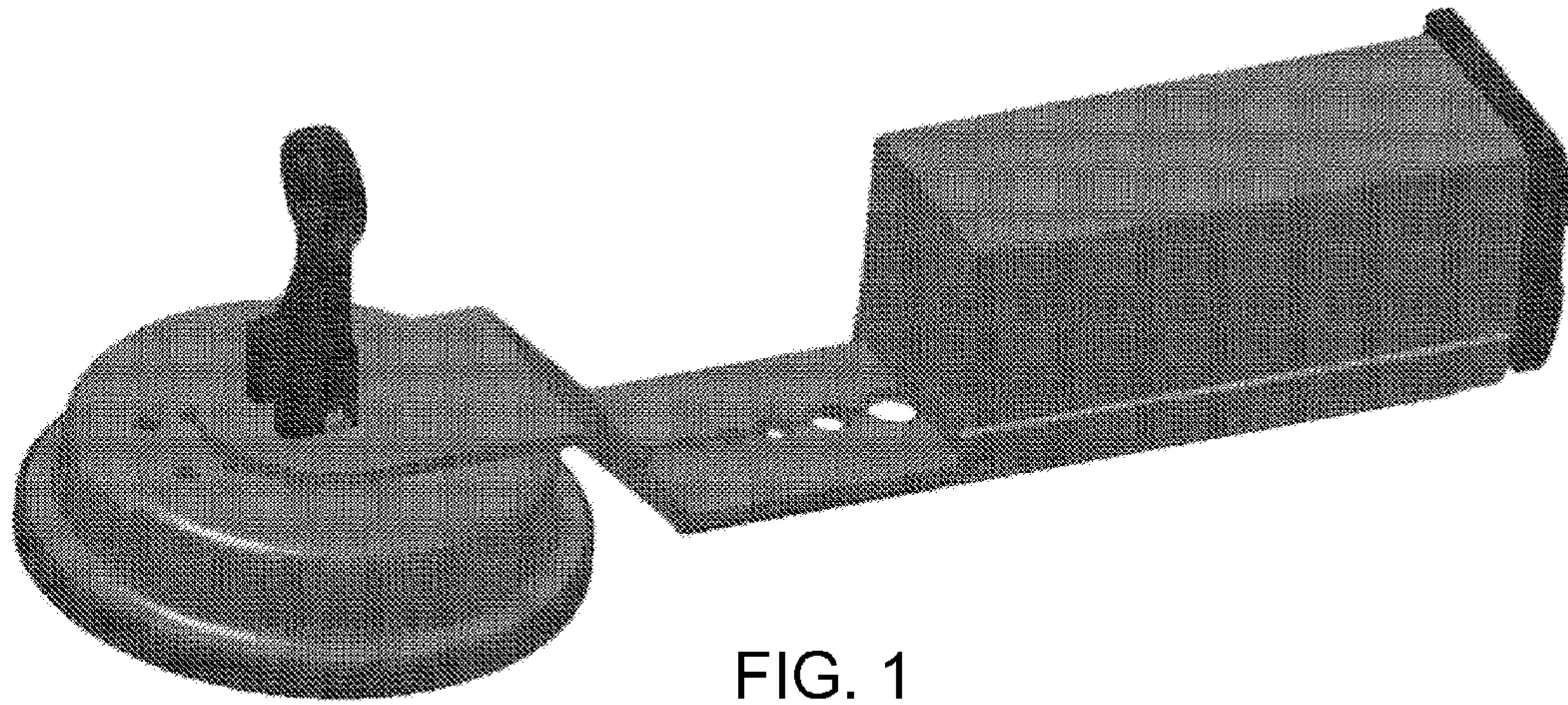


FIG. 1

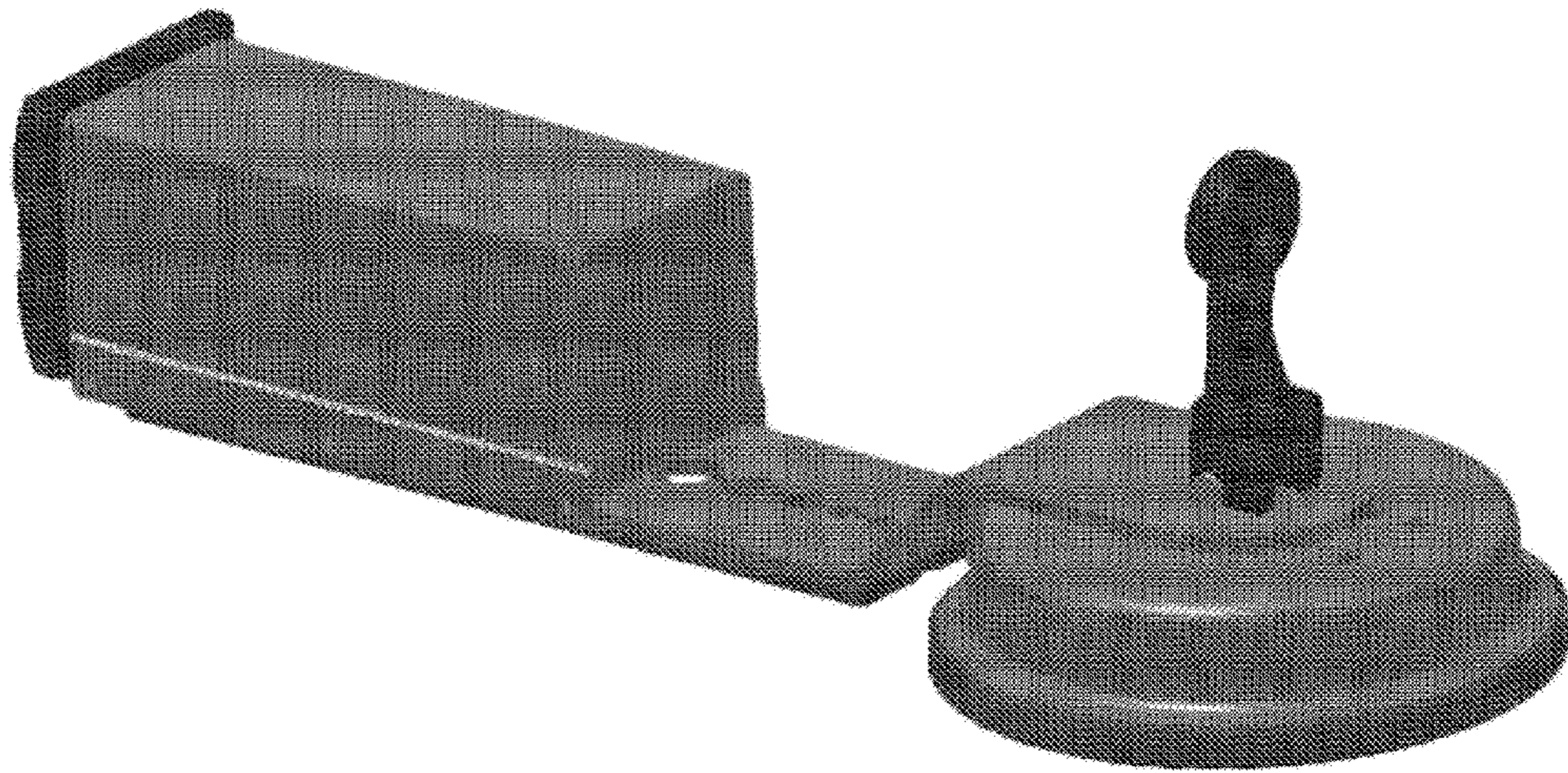


FIG. 2

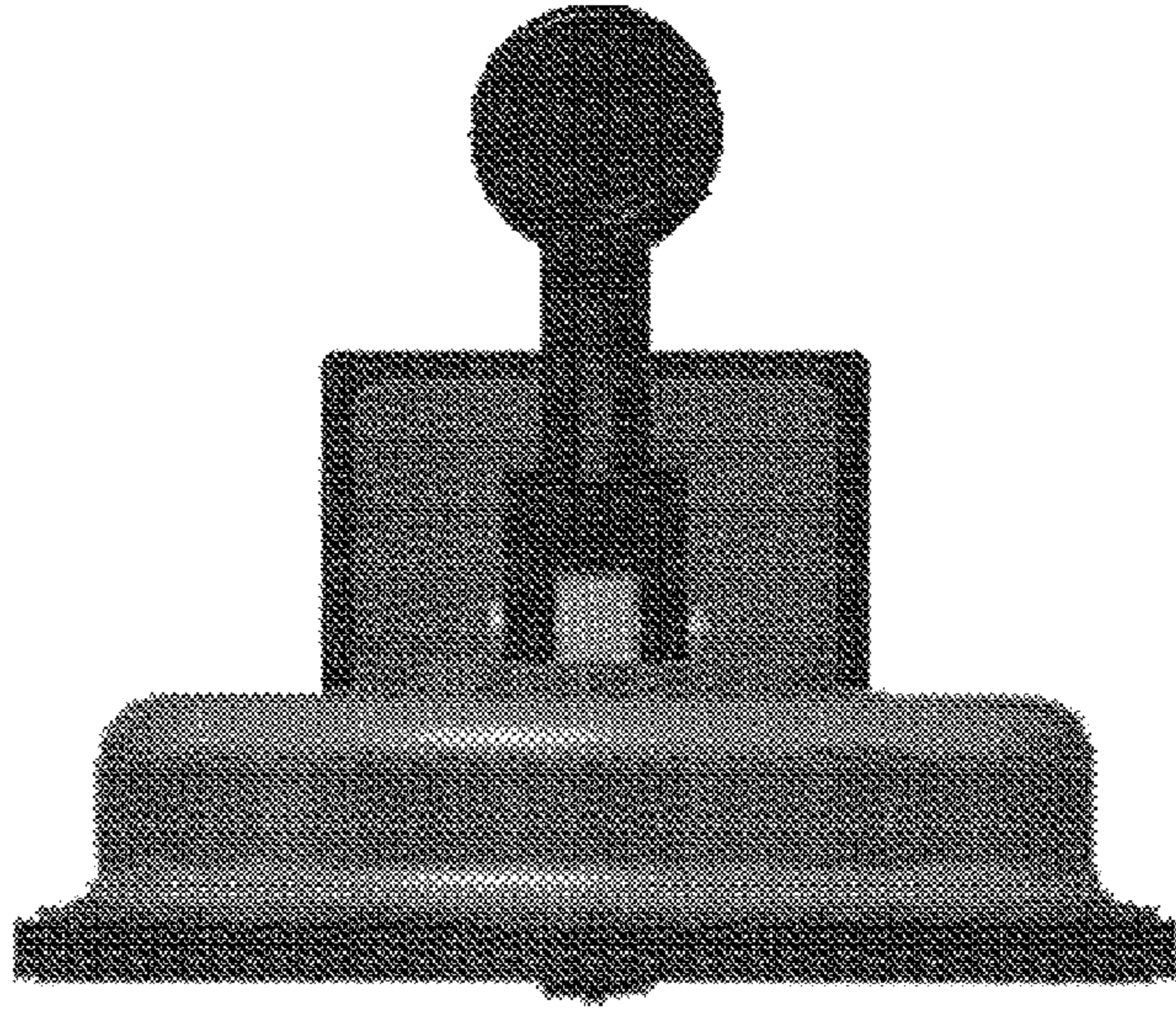


FIG. 3

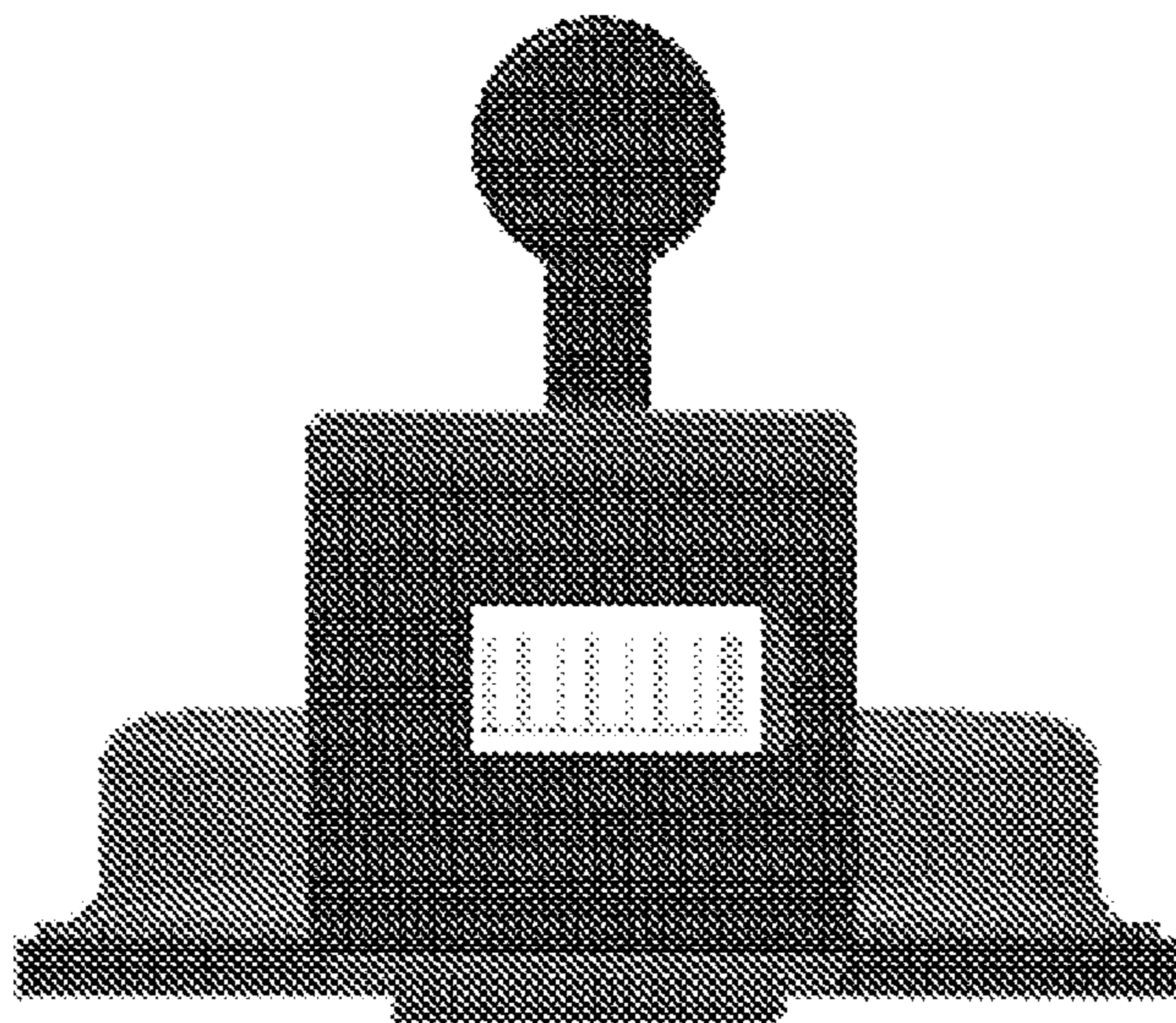


FIG. 4

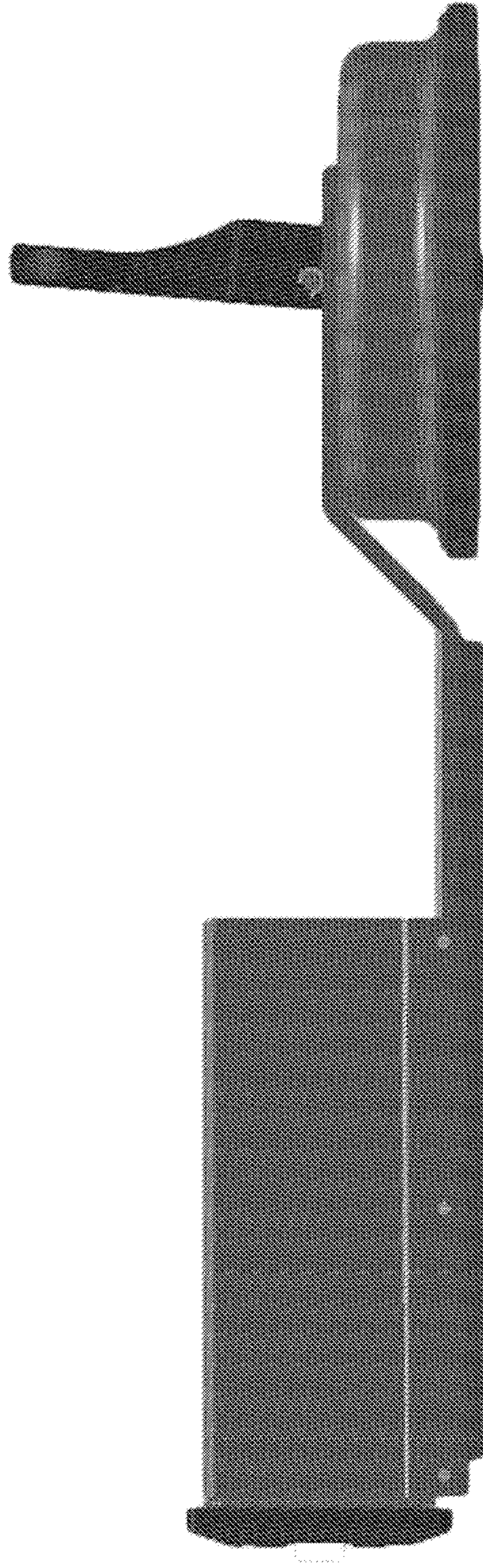


FIG. 5

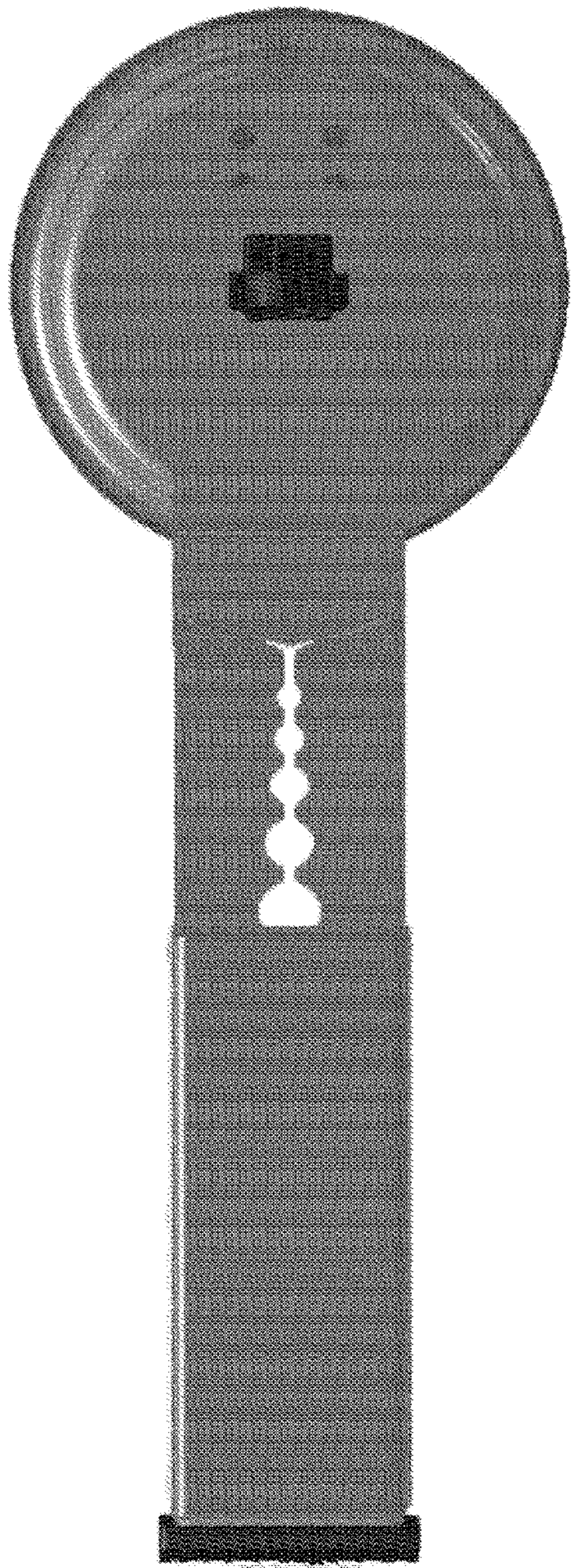


FIG. 6

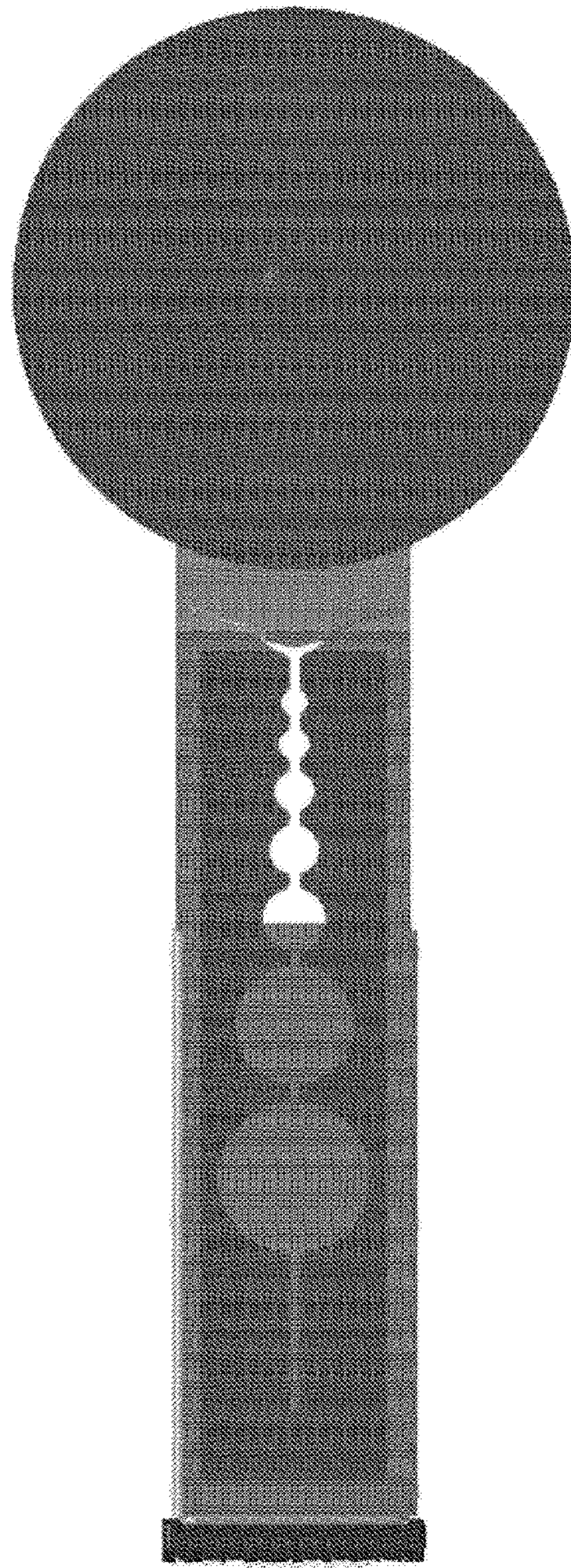


FIG. 7

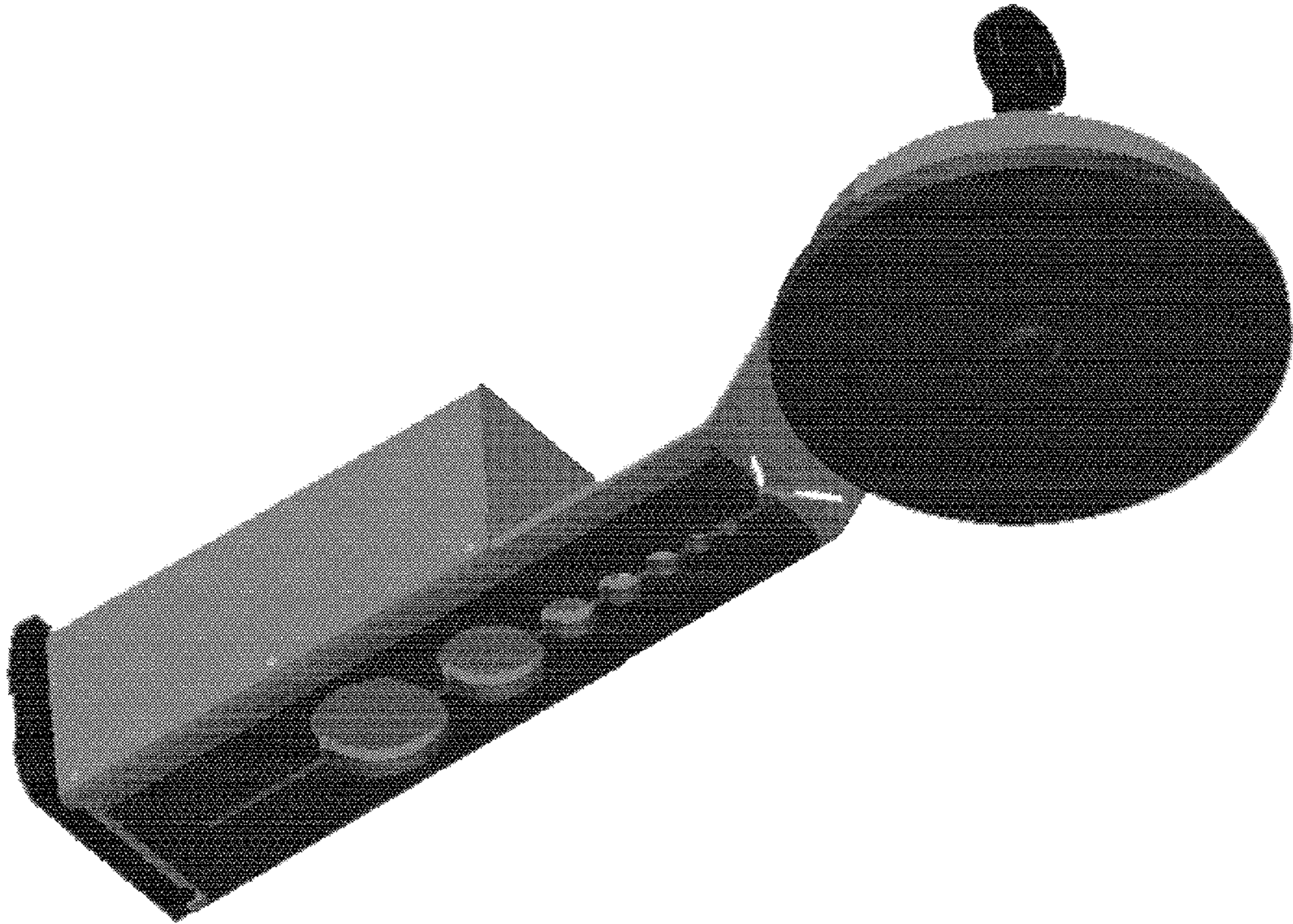


FIG. 8