



US00D641268S

(12) **United States Design Patent**
Le Breton

(10) **Patent No.:** **US D641,268 S**
(45) **Date of Patent:** **** Jul. 12, 2011**

(54) **WALL HOLE DRILLING GUIDE**

(76) Inventor: **Craig Le Breton**, Sumner Park (AU)

(**) Term: **14 Years**

(21) Appl. No.: **29/377,084**

(22) Filed: **Oct. 15, 2010**

(51) **LOC (9) Cl.** **10-04**

(52) **U.S. Cl.** **D10/65; D10/64**

(58) **Field of Classification Search** D10/64,
D10/65; 33/562-566; 292/337; 408/97,
408/115 R, 241 B

See application file for complete search history.

(56) **References Cited**

U.S. PATENT DOCUMENTS

D393,217 S *	4/1998	Brickman	D10/64
D393,218 S *	4/1998	Brickman	D10/64
5,947,656 A *	9/1999	Simson et al.	408/97
D462,019 S *	8/2002	Fierro	D10/65
6,910,837 B2 *	6/2005	Trettin et al.	408/115 B

* cited by examiner

Primary Examiner — Antoine D Davis

(74) *Attorney, Agent, or Firm* — QuickPatents, Inc.; Kevin Prince

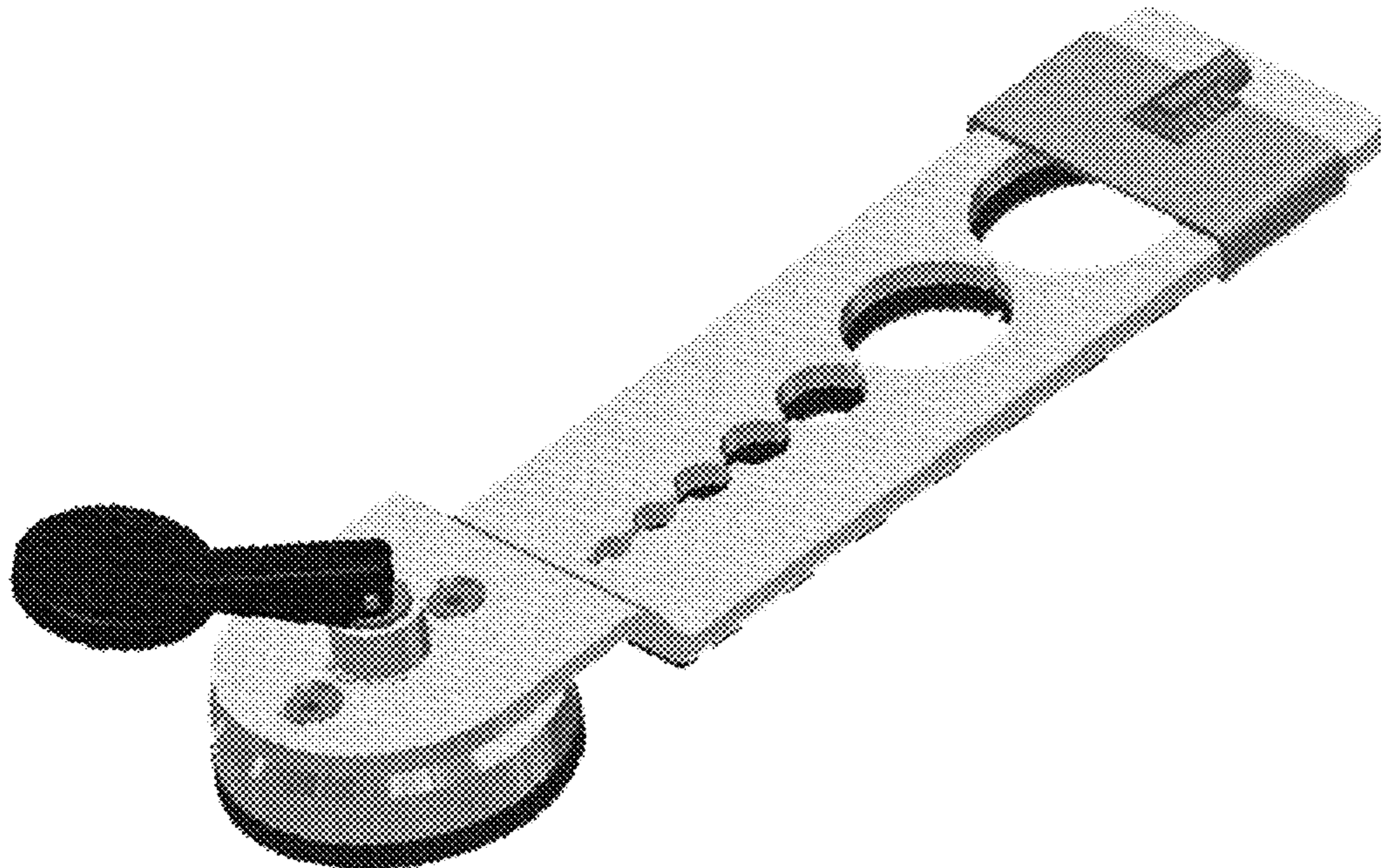
(57) **CLAIM**

The ornamental design for a wall hole drilling guide, as shown and described.

DESCRIPTION

FIG. 1 is a front left perspective view of a wall hole drilling guide, showing the new design;
FIG. 2 is a rear right perspective view thereof;
FIG. 3 is a front elevational view thereof;
FIG. 4 is a rear elevational view thereof;
FIG. 5 is a right-side elevational view thereof, the left-side elevational view being a mirror image thereof;
FIG. 6 is a top plan view thereof; and,
FIG. 7 is a bottom plan view thereof.

1 Claim, 4 Drawing Sheets



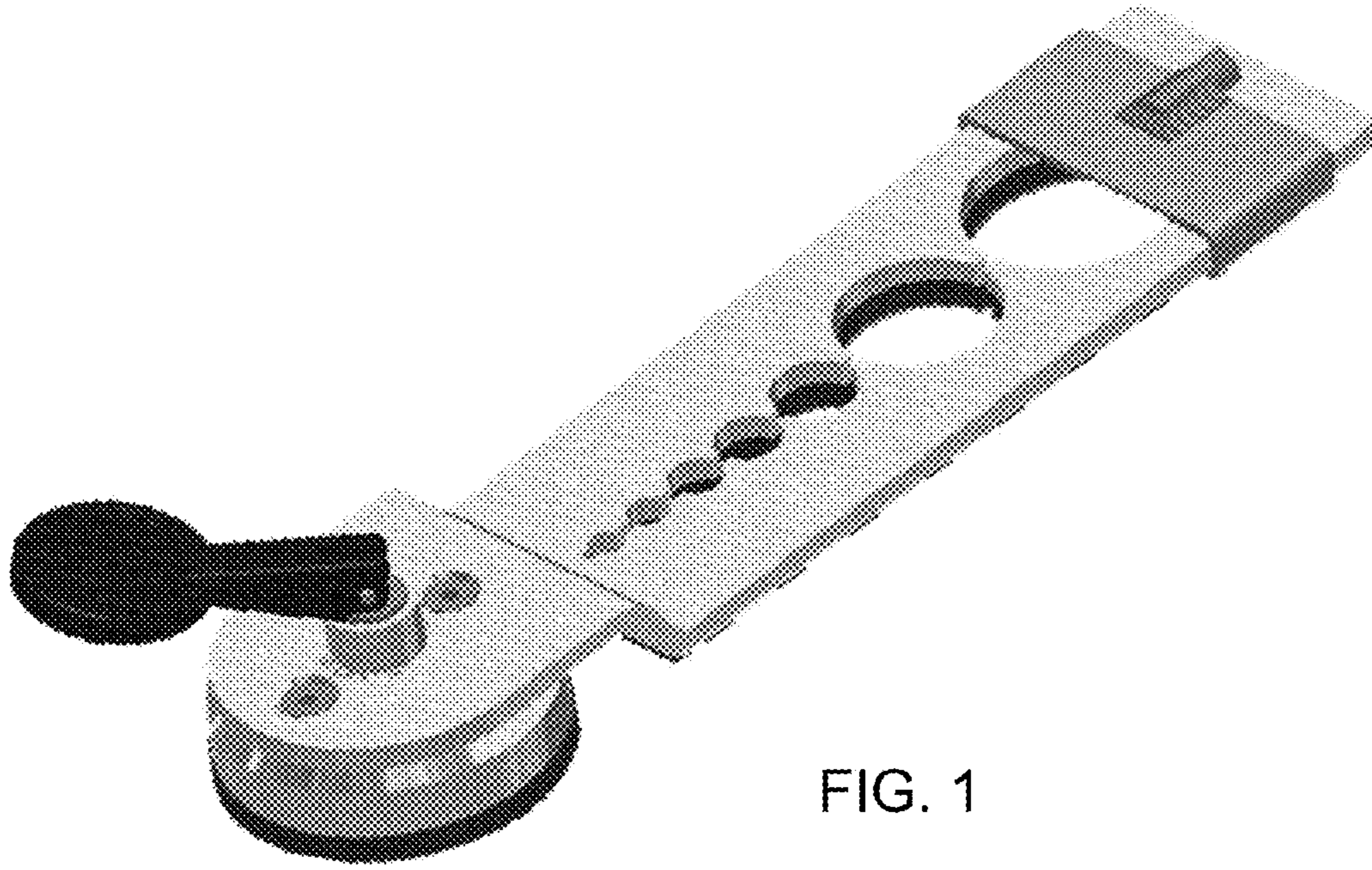


FIG. 1

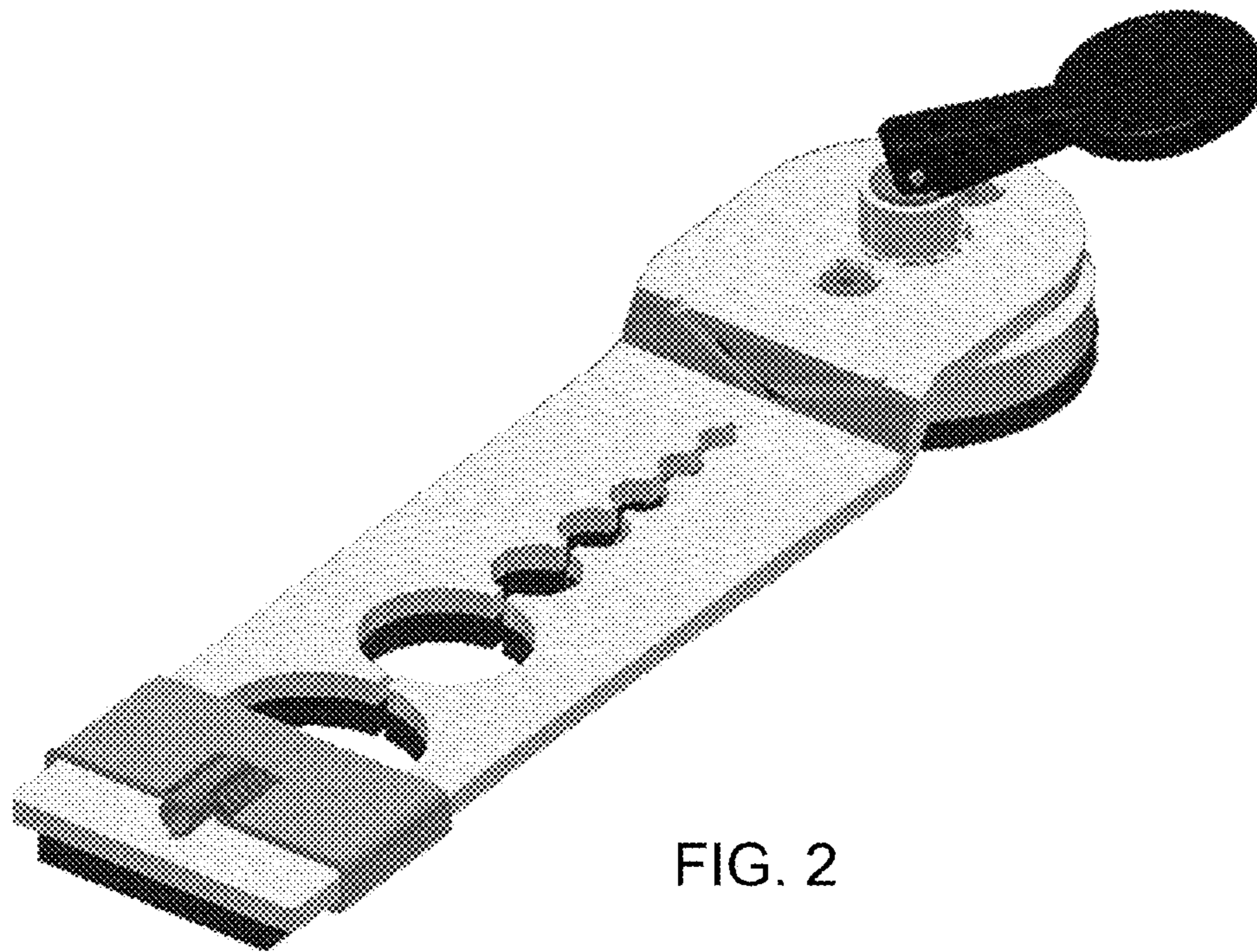


FIG. 2

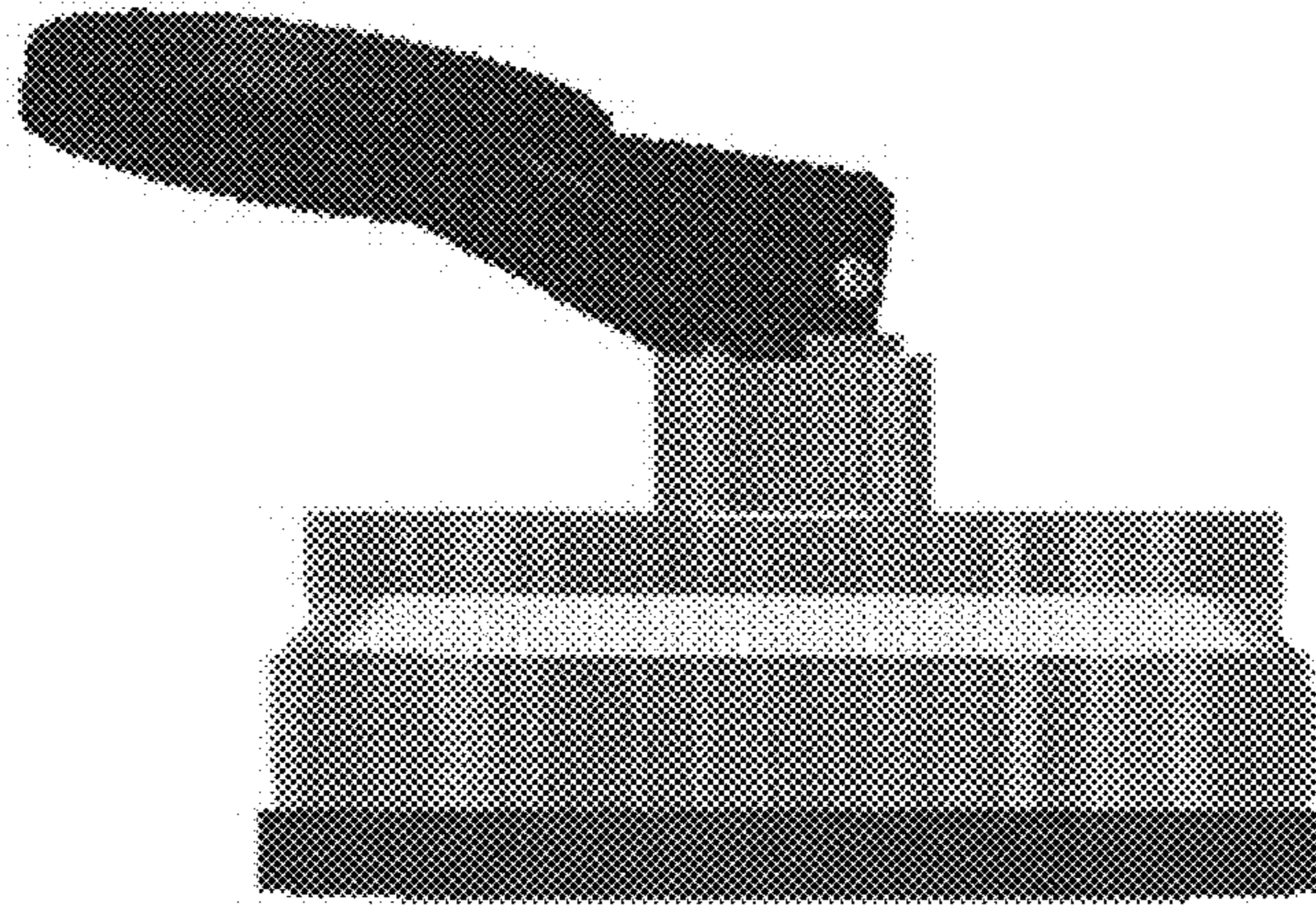


FIG. 3

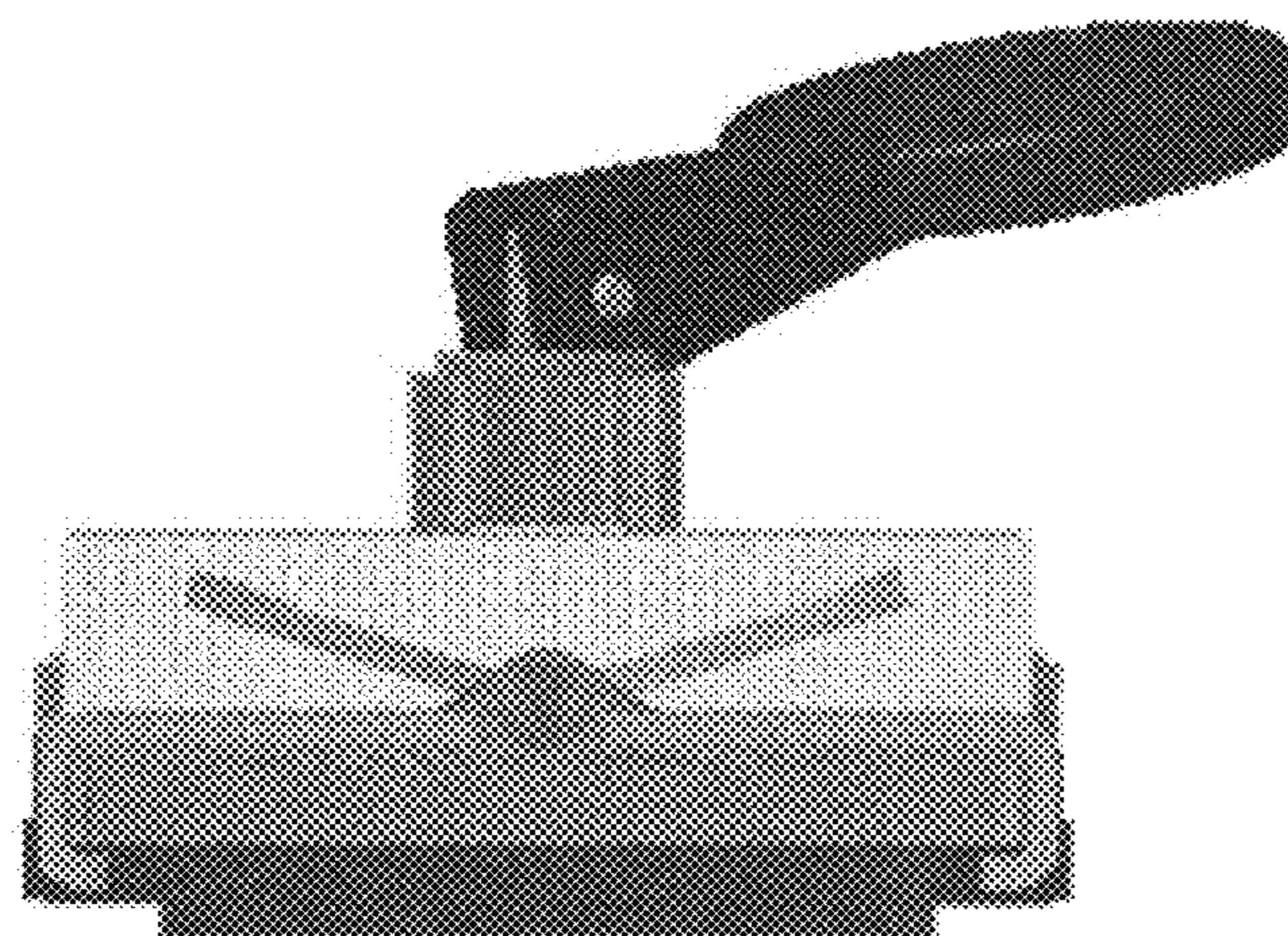


FIG. 4

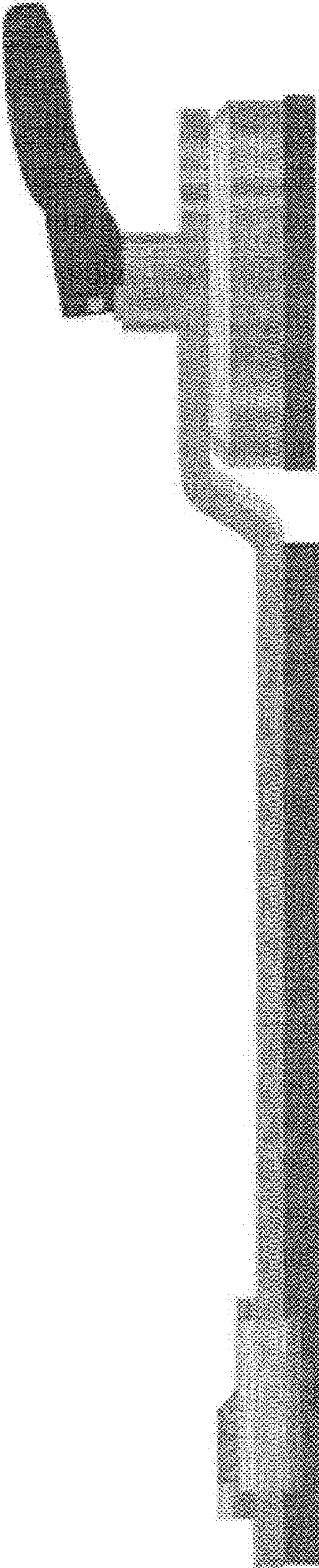


FIG. 5

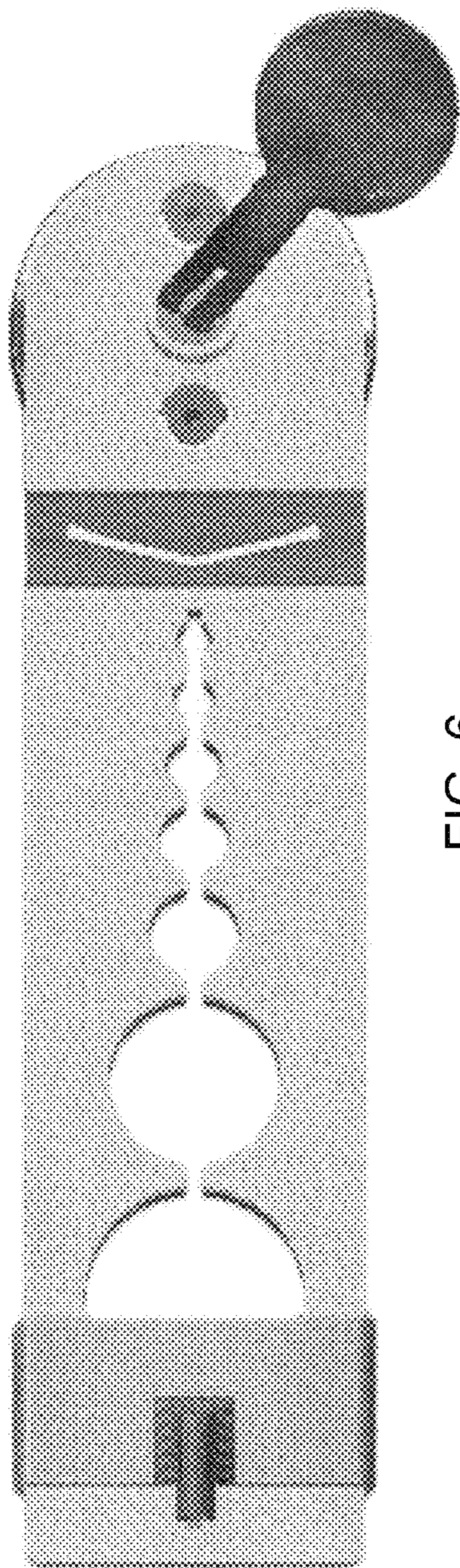


FIG. 6

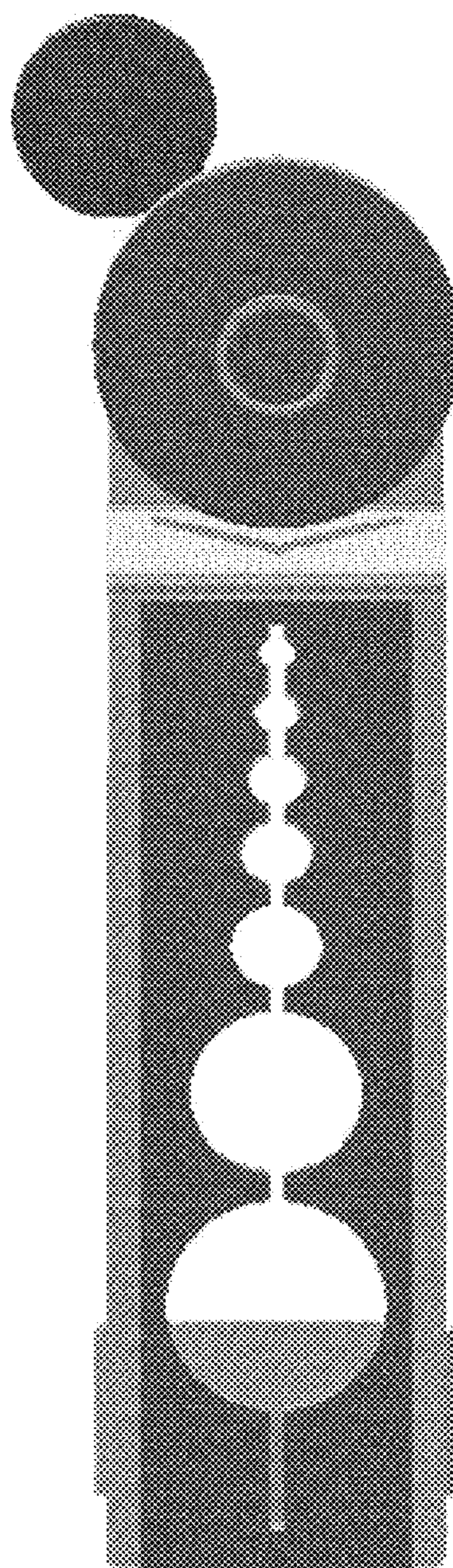


FIG. 7