



US00D641267S

(12) **United States Design Patent**
Kozina et al.

(10) **Patent No.:** **US D641,267 S**
(45) **Date of Patent:** **** Jul. 12, 2011**

(54) **TEMPLATE HOLDER**

(75) Inventors: **Damian A. Kozina**, Chicago, IL (US);
Edward D. Adkins, Machesney Park, IL (US)

(73) Assignee: **Nomis LLC**, Hampshire, IL (US)

(**) Term: **14 Years**

(21) Appl. No.: **29/383,894**

(22) Filed: **Jan. 24, 2011**

Related U.S. Application Data

(63) Continuation of application No. 12/821,295, filed on Jun. 23, 2010, now Pat. No. 7,896,042, which is a continuation of application No. 11/956,536, filed on Dec. 14, 2007, now Pat. No. 7,766,059.

(51) **LOC (9) Cl.** **10-04**

(52) **U.S. Cl.** **D10/64**

(58) **Field of Classification Search** D10/64,

D10/65; 33/194, 197, 562-566; 144/83,

144/144.1, 345, 372; 408/1 R, 103, 115 R

See application file for complete search history.

(56) **References Cited**

U.S. PATENT DOCUMENTS

3,519,043	A	7/1970	Guill	
3,789,892	A *	2/1974	Converse et al.	144/144.51
3,987,712	A *	10/1976	Croteau	409/131
D242,903	S *	1/1977	Benoit	D10/64
D242,904	S *	1/1977	Benoit	D10/64
4,274,459	A	6/1981	Galajda	
5,042,543	A	8/1991	Carey	
D395,246	S	6/1998	Carey	
5,762,115	A	6/1998	Shouse	
5,862,848	A	1/1999	Beall	
6,926,477	B2	8/2005	Allemann et al.	
7,020,975	B2	4/2006	Ernst et al.	

7,766,059	B2	8/2010	Kozina et al.
7,896,042	B2	3/2011	Kozina et al.
2006/0272166	A1	12/2006	Adkins et al.
2009/0155009	A1	6/2009	Kozina et al.
2010/0314003	A1	12/2010	Kozina et al.

FOREIGN PATENT DOCUMENTS

EP	0 511 898	A2	11/1992
GB	2 285 410	A	7/1995

OTHER PUBLICATIONS

U.S. Appl. No. 29/383,891, Kozina et al., filed Jan. 24, 2011.
Lee Valley, A. Hinge Mate B. Hinge Mortising System, page from catalog, date unknown, 1 page; Known to Applicant on or before Dec. 13, 2007.
McFeelys, HingeMate for Woodworkers-from McFeely's, website, date last visited Mar. 22, 2005, 1 page, <http://www.mcfeelys.com/product.asp?ProductID=hm-1100w>.

(Continued)

Primary Examiner — Antoine D Davis

(74) *Attorney, Agent, or Firm* — Reinhart Boerner Van Deuren P.C.

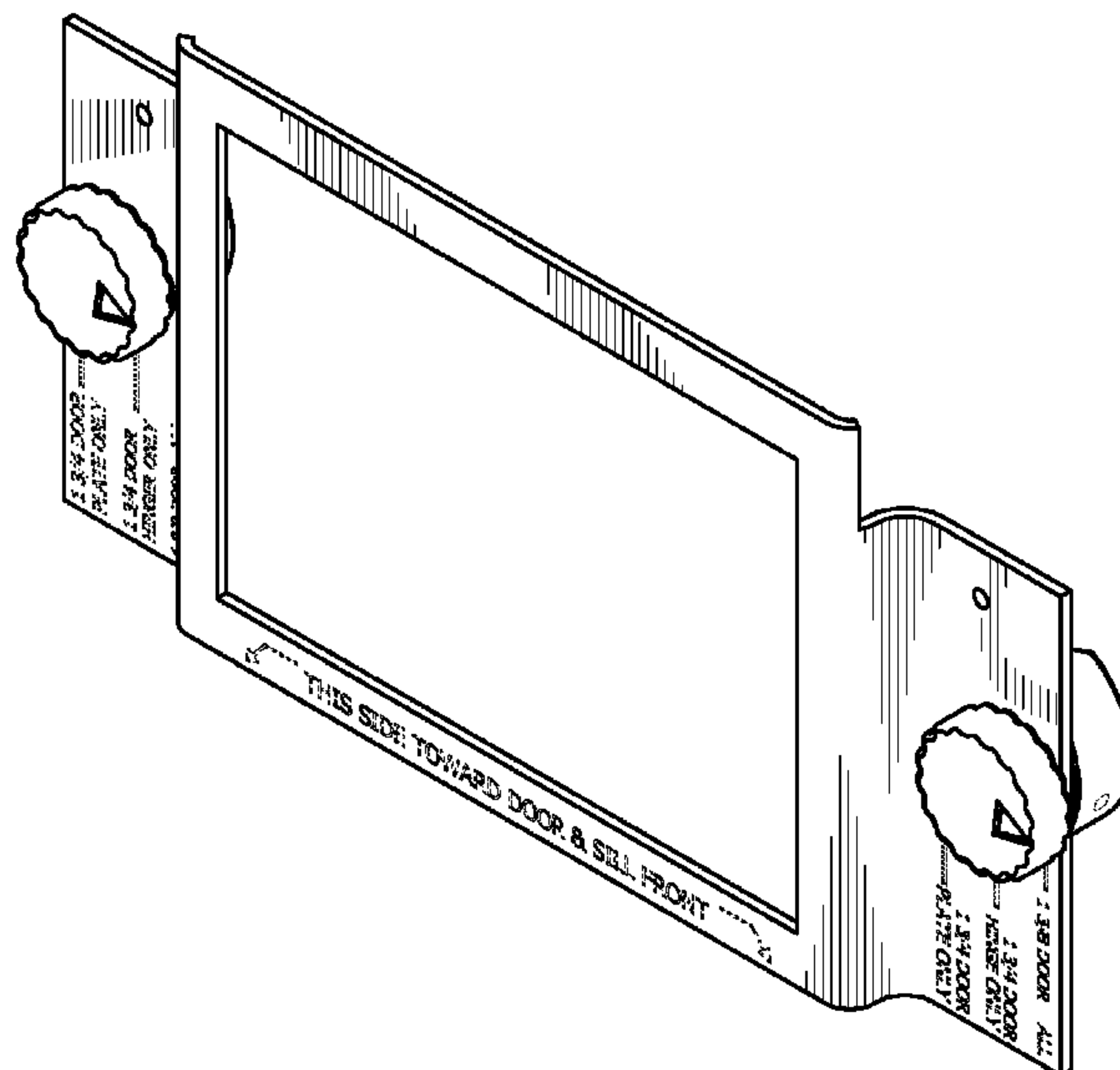
(57) **CLAIM**

I claim the ornamental design for the template holder, as shown and described.

DESCRIPTION

FIG. 1 is a top perspective view of the template holder; FIG. 2 is a front view thereof; FIG. 3 is a right side view thereof; FIG. 4 is a top view thereof; FIG. 5 is a bottom view thereof; FIG. 6 is a left side view thereof; and, FIG. 7 is a rear view thereof. Wherein the elements in any of the FIGS. in dashed lines form no part of the claimed design.

1 Claim, 3 Drawing Sheets



OTHER PUBLICATIONS

Milescraft, HingeMortise Guide Set, product manual, date unknown, 2 pages, pp. 1 and 2; Known to Applicant on or before Dec. 13, 2007.

Norfield, Door & Jamb Tools, page from catalog, date unknown, 1 page, p. 10; Known to Applicant on or before Dec. 13, 2007.

Norfield, Door Tools for Door Pros, 2007 Winter Catalog, 2007, 32 pages.

Porter Cable, Hinge Butt Templet 59380 59381, Parts List, 1999, 1 page, Parts List No. 692548-996.

Porter-Cable 59370 Door Hinge Template-Jewishbookmall.com Info and Reviews, Porter-Cable 59370 Door Hinge Template, website, date last visited Mar. 22, 2005, 3 pages, http://www.jewishbookmall.com/shop/asinsearch_B00004T130.html.

Porter-Cable 59375 Strike and Latch Template-Jewishbookmall.com Info and Reviews, Porter-Cable 59375 Strike and Latch Template, website, date last visited Mar. 22, 2005, 2 pages, http://www.jewishbookmall.com/shop/asinsearch_B00004T13P.html.

Rockler.com, Jigs and Rockler JIG IT's, website, date last visited Mar. 22, 2005, 5 pages, <http://www.rockler.com/findit.cfm?cookie-est=1&page=2290&sid=AF657>.

Sears Craftsman, Butt Hinge Template Model 2564, product manual, date unknown, 4 pages; Known to Applicant on or before Dec. 13, 2007.

The Beall Tool Company, The Beall Hinge Wizard, website, date last visited Mar. 22, 2005, 2 pages, <http://www.bealltool.com/hingewiz.htm>.

Toolfetch, Door Hanging Tools: Bosch 83003 Door & Jamb Hinge Templet Kit, website, date last visited Mar. 22, 2005, 1 page, http://www.toolfetch.com/tools//flypage_masonry2.html?mv_arg=83003.

Toolfetch, Door Hanging Tools: Bosch 83038 Deluxe Door and Jamb Hinge Templet Kit, website, date last visited Mar. 22, 2005, 2 pages, http://www.toolfetch.com/tools//flypage_masonry2.html?id=d3Es7s3w&mx_arg=83038.

Trend Machinery, Routing Jigs & Accessories, pages from catalog, date unknown, 2 pages; Known to Applicant on or before Dec. 13, 2007.

Woodcraft, Router Accessories, page from catalog, date unknown, 1 page, p. 34; Known to Applicant on or before Dec. 13, 2007.

Woodhaven, Unique Tools, page from catalog, date unknown, 1 page, p. 24; Known to Applicant on or before Dec. 13, 2007.

* cited by examiner

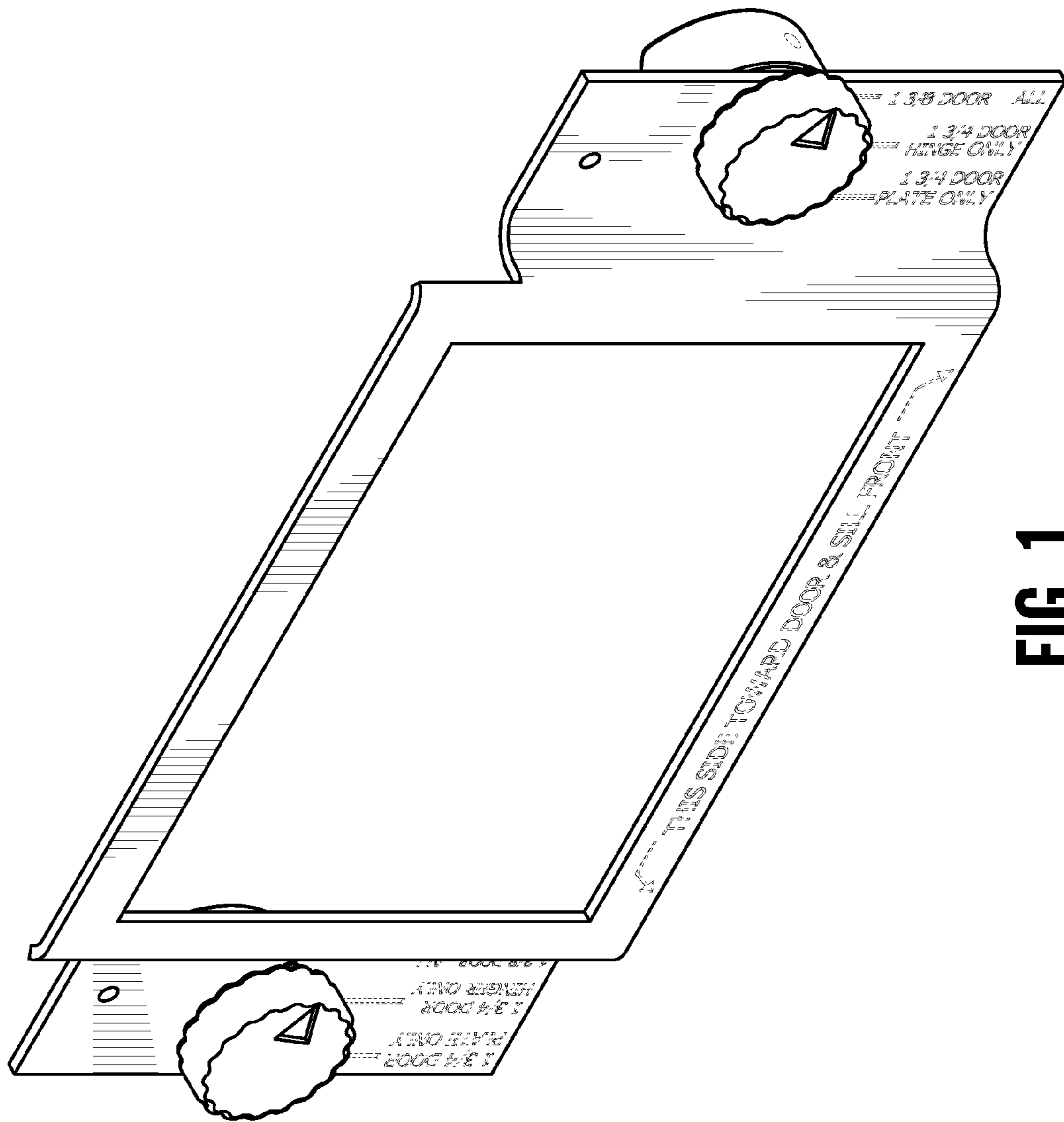


FIG. 1

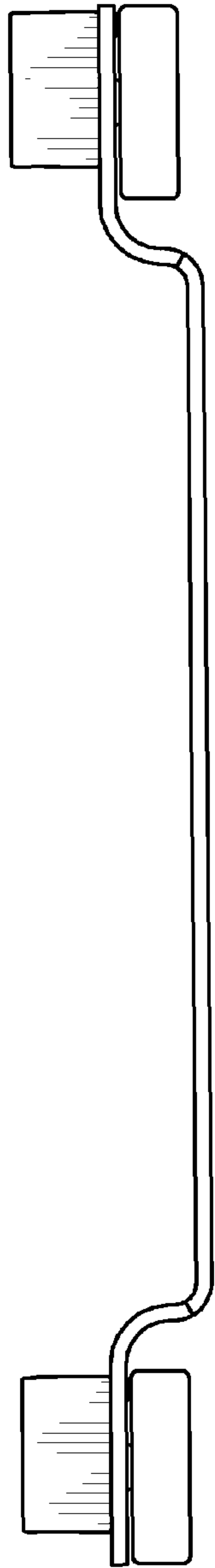


FIG. 2

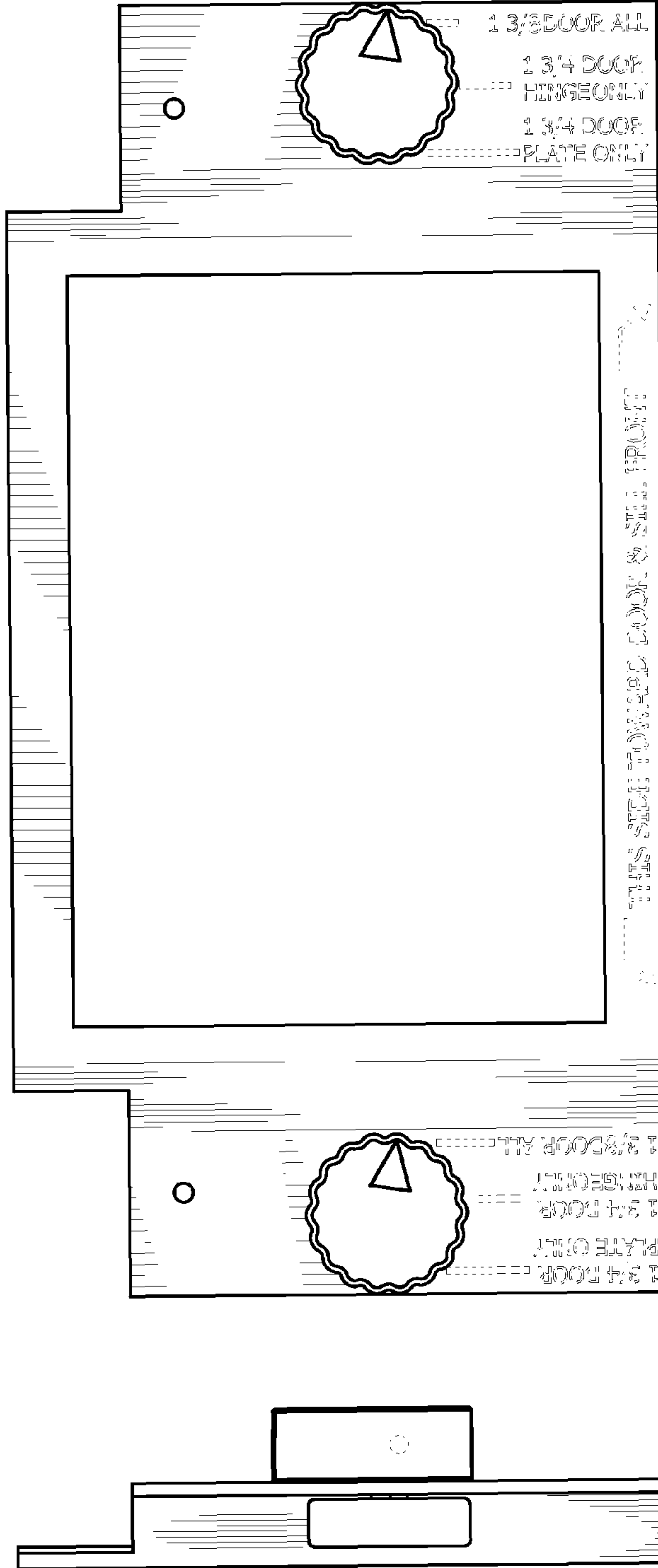


FIG. 3

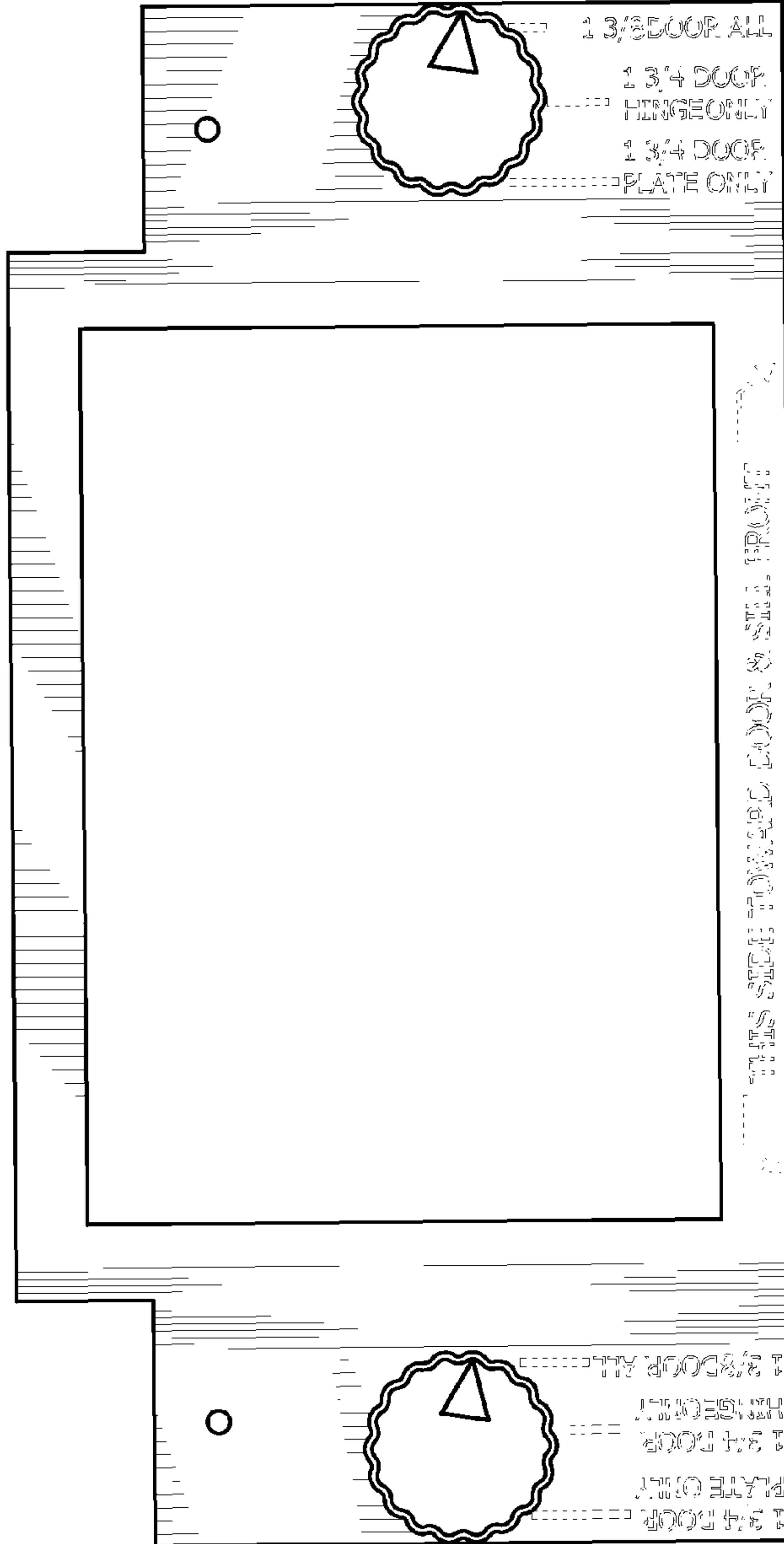


FIG. 4

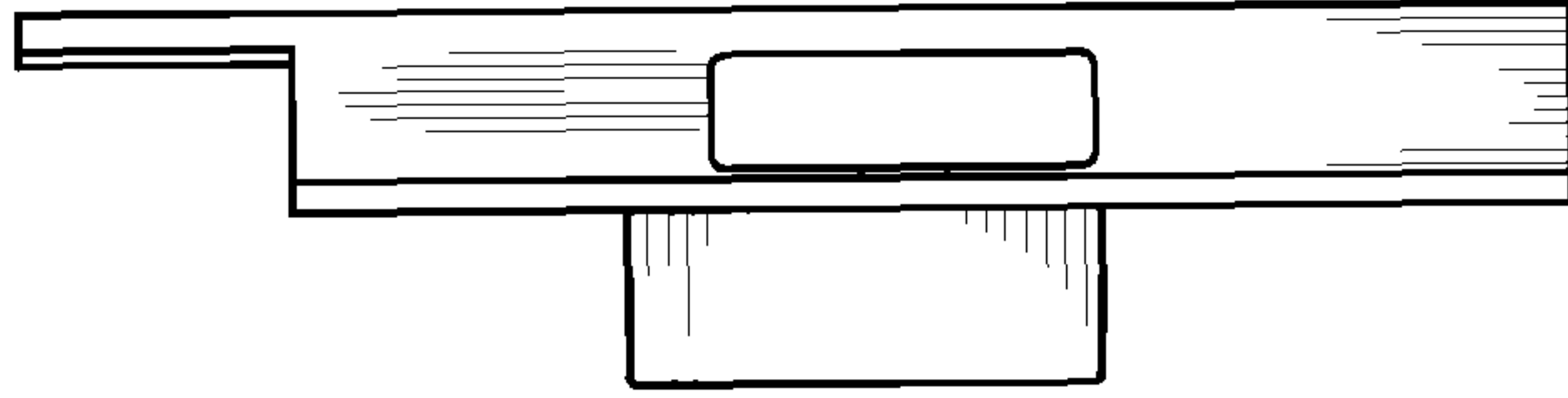


FIG. 6

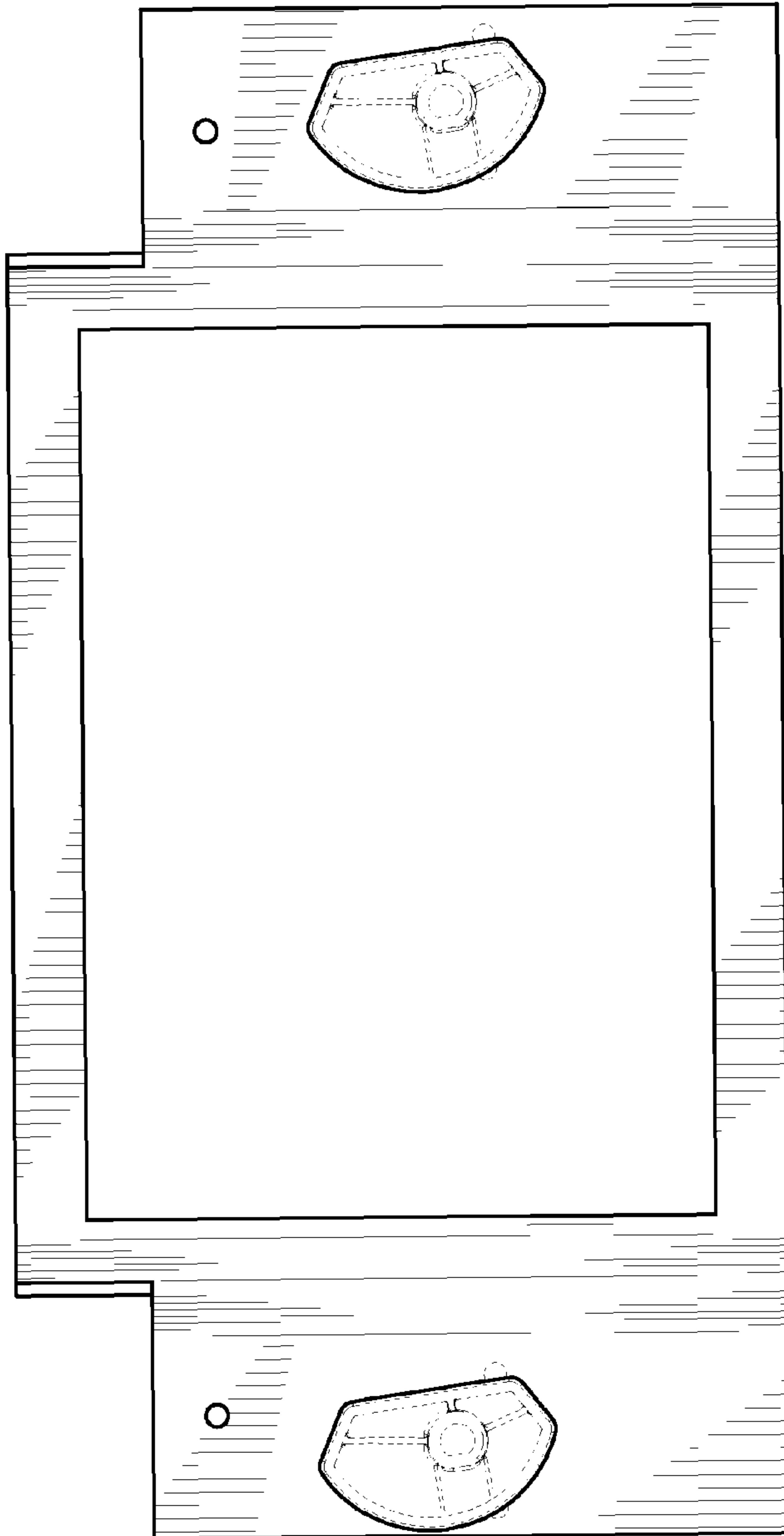


FIG. 5

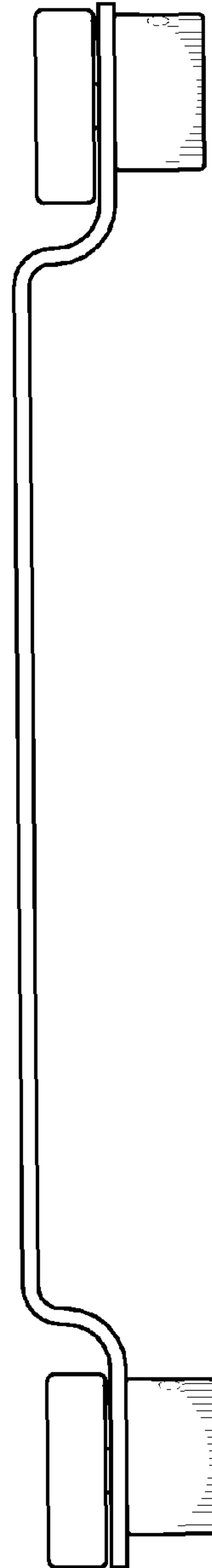


FIG. 7