



US00D641266S

(12) **United States Design Patent**
Tamura et al.

(10) **Patent No.:** **US D641,266 S**
(45) **Date of Patent:** **** Jul. 12, 2011**

(54) **MEASURING CONTAINER**

(75) Inventors: **Nao Tamura**, Brooklyn, NY (US); **Neil Hart**, Elmira, NY (US); **Rick Pudliner**, Charleroi, PA (US); **Mark Cooley**, Bentleyville, PA (US)

(73) Assignee: **WKI Holding Company, Inc.**, Rosemont, IL (US)

(**) Term: **14 Years**

(21) Appl. No.: **29/383,428**

(22) Filed: **Jan. 18, 2011**

Related U.S. Application Data

(62) Division of application No. 29/346,699, filed on Nov. 4, 2009.

(51) **LOC (9) Cl.** **10-04**

(52) **U.S. Cl.** **D10/46.2**

(58) **Field of Classification Search** D10/46.2-46.3;
D7/505, 543, 545, 587, 590, 600.1, 601, 300,
D7/637-638, 688, 691, 693, 368, 213; 73/426-429;
30/324-328; 294/55

See application file for complete search history.

(56) **References Cited**

U.S. PATENT DOCUMENTS

39,346 A	7/1863	Hillman
153,159 A	7/1874	Dinwiddie
217,050 A	7/1879	Block
258,035 A	5/1882	Eastman
432,018 A	3/1890	Young
449,147 A	3/1891	Welch
598,891 A	2/1898	Barnekov
679,628 A	7/1901	Lehmann
925,582 A	6/1909	Kipp
1,105,114 A	7/1914	Tsuru
1,250,890 A	12/1917	Johnson
1,386,571 A	8/1921	Jackson
1,507,968 A	9/1924	Johnson

1,674,475 A 6/1928 Loomis
1,711,796 A 5/1929 Knight
D99,405 S 4/1936 Marschall

(Continued)

FOREIGN PATENT DOCUMENTS

FR 2766692 7/1997

(Continued)

OTHER PUBLICATIONS

Exhibit A—Image of a RUBBERMAID measuring cup believed to be sold prior to the filed of the subject application, (Jan. 18, 2011).

(Continued)

Primary Examiner — Ian Simmons

Assistant Examiner — Dana L Sipos

(74) *Attorney, Agent, or Firm* — McDermott Will & Emery LLP

(57) **CLAIM**

We claim the ornamental design for a measuring container, as shown and described.

DESCRIPTION

FIG. 1 is a perspective view of the measuring container according to the new design;

FIG. 2 is a left side elevation view of the measuring container shown in FIG. 1;

FIG. 3 is a right side elevation view of the measuring container shown in FIG. 1;

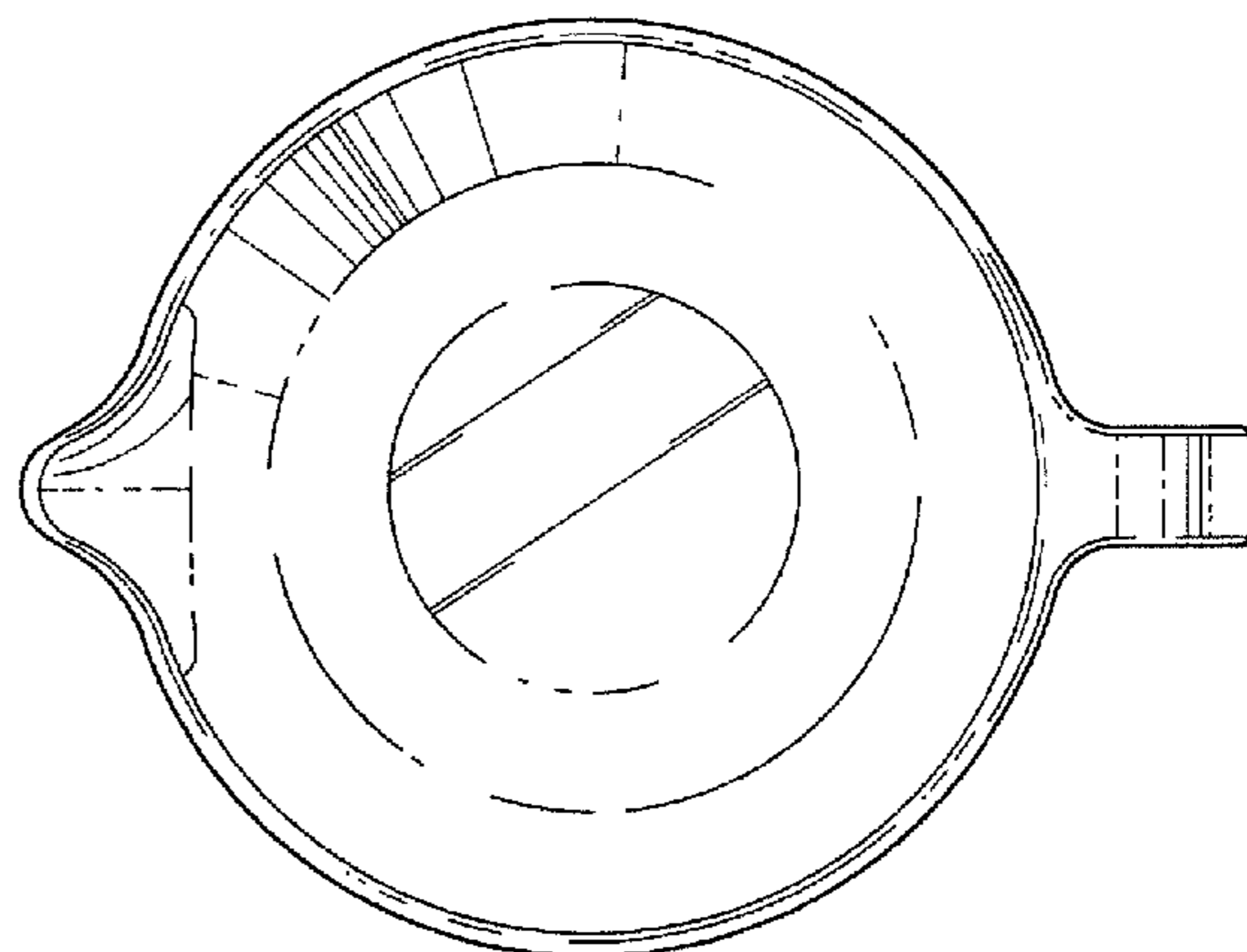
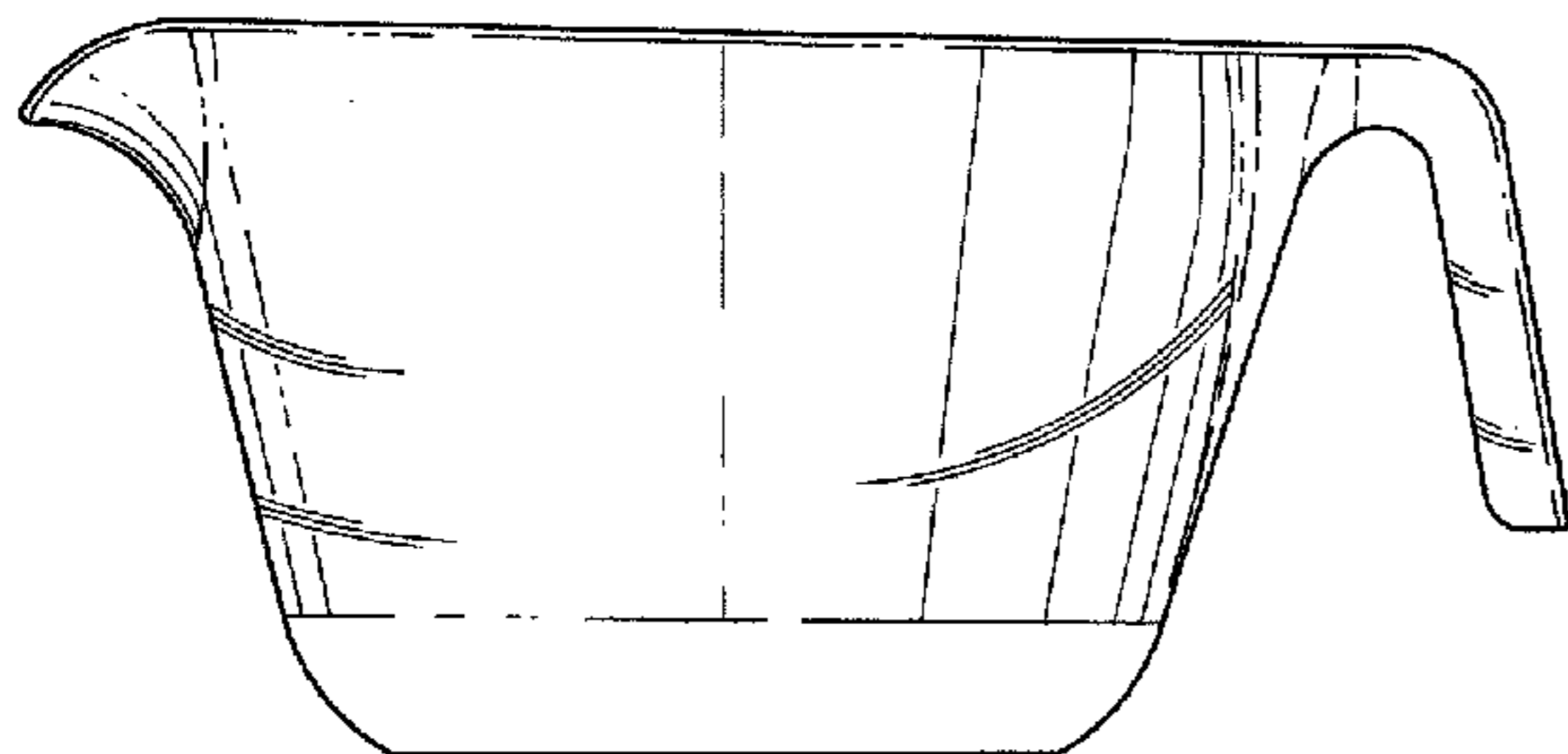
FIG. 4 is a front view of the measuring container shown in FIG. 1;

FIG. 5 is a rear view of the measuring container shown in FIG. 1;

FIG. 6 is a top view of the measuring container shown in FIG. 1; and,

FIG. 7 is a bottom view of the measuring container shown in FIG. 1.

1 Claim, 4 Drawing Sheets



US D641,266 S

Page 2

U.S. PATENT DOCUMENTS

2,165,045 A 7/1939 Garside
2,758,771 A 8/1956 Bauer
D202,368 S 9/1965 Feldman
D202,369 S 9/1965 Feldman
D211,047 S * 5/1968 Johnson D10/46.2
3,530,722 A 9/1970 Miller
3,636,360 A 1/1972 Oishi et al.
3,672,061 A 6/1972 Alessi
3,832,785 A 9/1974 Miller
3,881,102 A 4/1975 Willits et al.
3,931,741 A 1/1976 Ceccarelli
4,115,939 A 9/1978 Marks
4,262,535 A 4/1981 Andersson
D268,158 S 3/1983 Doyel
D287,324 S * 12/1986 Schmidt D10/46.2
4,641,025 A 2/1987 Miller
5,235,853 A * 8/1993 Froes 73/427
5,607,078 A 3/1997 Nordberg et al.
D394,217 S 5/1998 Laib
5,823,046 A 10/1998 Schagerstrom et al.
5,863,431 A 1/1999 Salzburg
5,966,214 A 10/1999 Imbrock et al.
6,048,069 A 4/2000 Nagaoka et al.
6,098,029 A 8/2000 Takagi et al.
D431,478 S 10/2000 Fortier
6,212,953 B1 4/2001 Bethune
6,238,907 B1 5/2001 Schuler-Maloney et al.
6,263,732 B1 * 7/2001 Hoeting et al. 73/427
6,375,031 B1 4/2002 Kwan

D473,148 S * 4/2003 Kleckauskas et al. D10/46.2
6,769,302 B1 8/2004 King et al.
D548,114 S * 8/2007 Sawhney et al. D10/46.2
D548,115 S * 8/2007 Sawhney et al. D10/46.2
D559,029 S * 1/2008 Gonzalez et al. D7/318
D562,160 S * 2/2008 Cohen D10/46.2
D580,798 S * 11/2008 Barber D10/46.2
7,665,359 B2 * 2/2010 Barber 73/426
7,753,206 B2 * 7/2010 Sawhney et al. 206/514
D620,817 S * 8/2010 Eide et al. D10/46.2
2001/0042402 A1 11/2001 Hoeting et al.
2002/0029635 A1 3/2002 Kremen

FOREIGN PATENT DOCUMENTS

JP 61160024 7/1986
JP 2000304590 11/2000

OTHER PUBLICATIONS

Exhibit B—Image of a RUBBERMAID measuring cup believed to be sold prior to the filed of the subject application, (Jan. 18, 2011).
Exhibit C—Image of a PYREX measuring cup believed to be sold prior to the filed o f the subject application, (Jan. 18, 2011).
Exhibit D—Image of a PYREX measuring cup believed to be sold prior to the filed of the subject application, (Jan. 18, 2011).
Exhibit E—Image of a ZYLISS measuring cup believed to be sold prior to the filed of the subject application, (Jan. 18, 2011).

* cited by examiner

FIG. 1

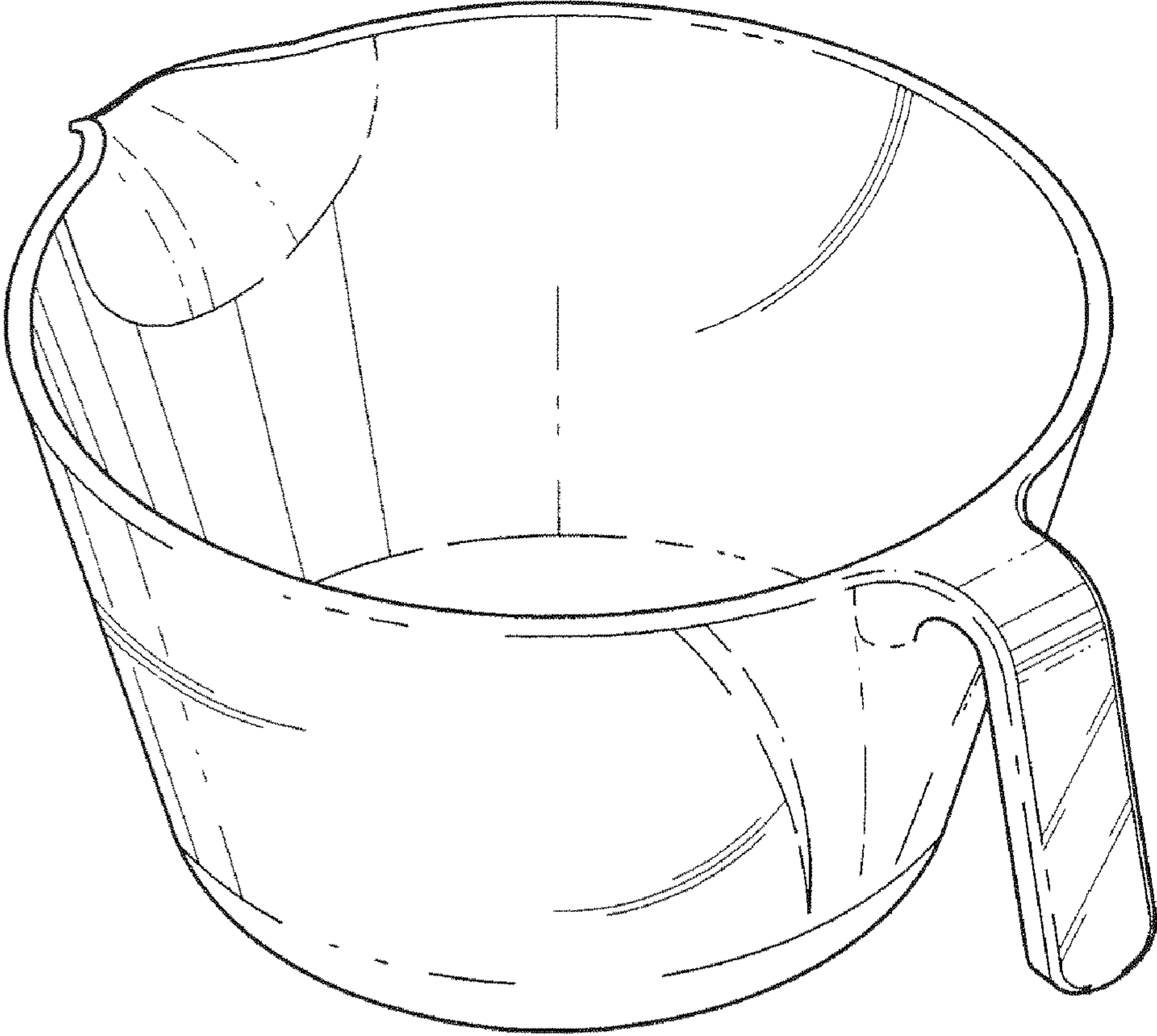


FIG. 2

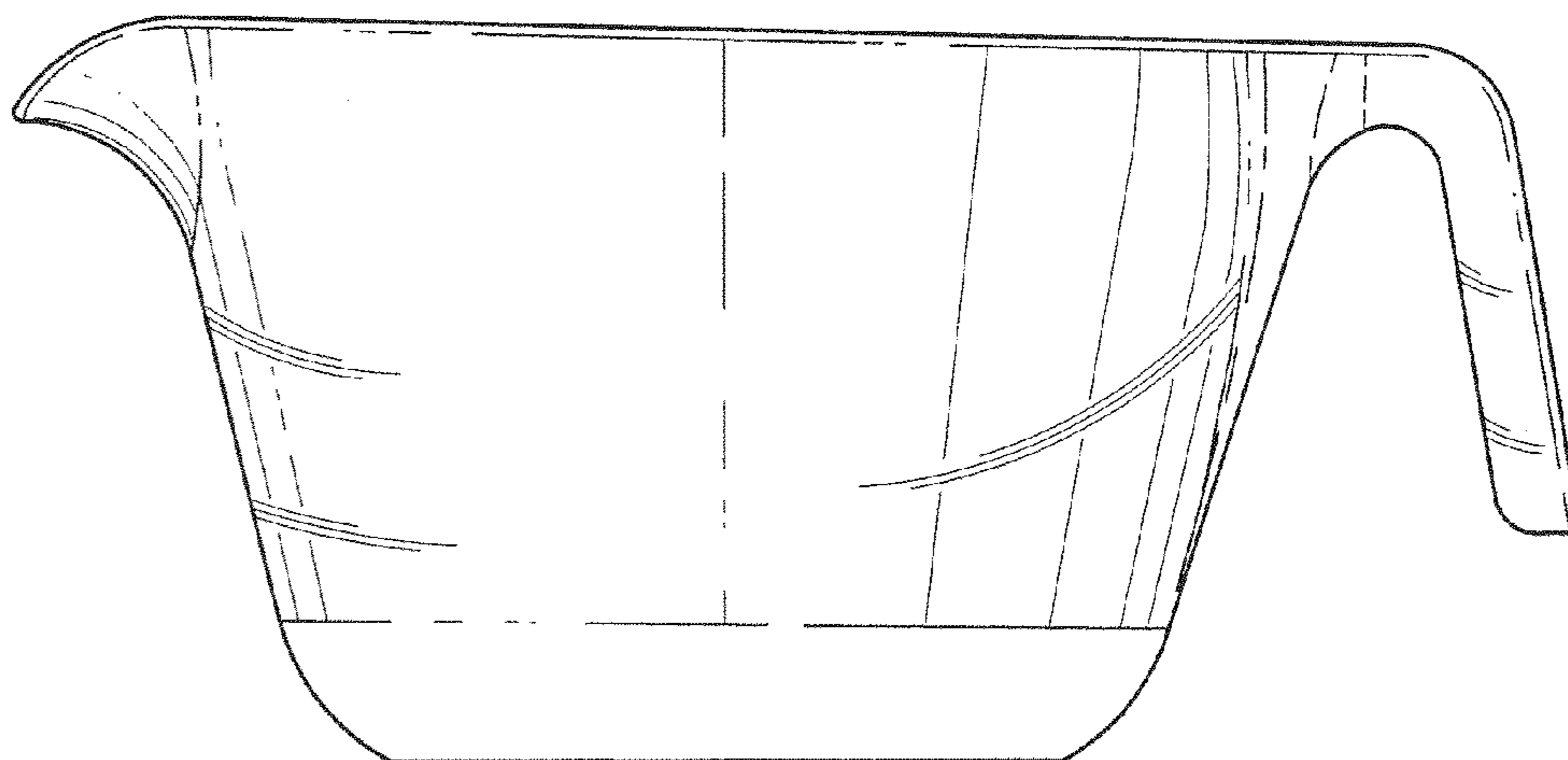


FIG. 3

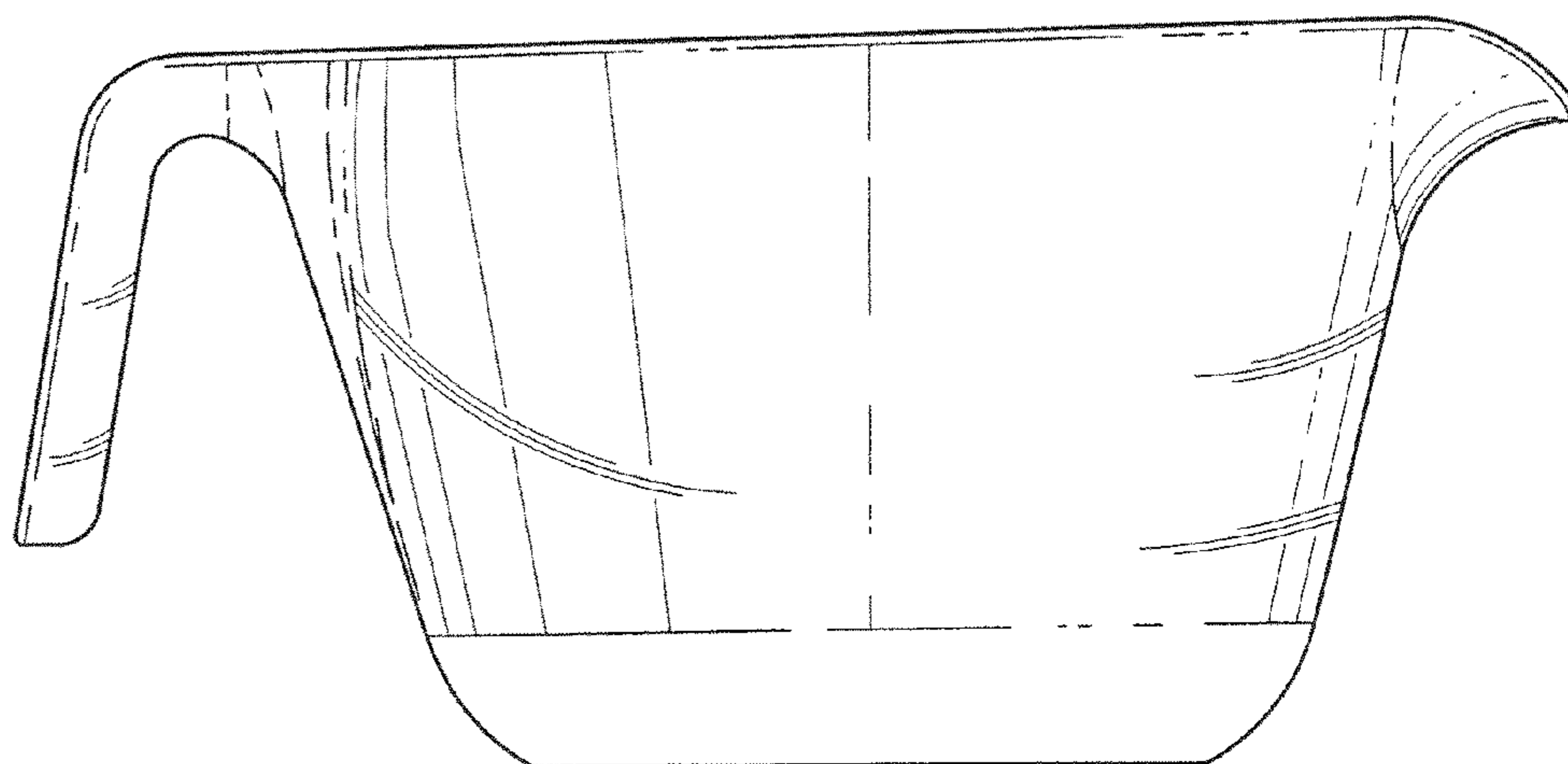


FIG. 4

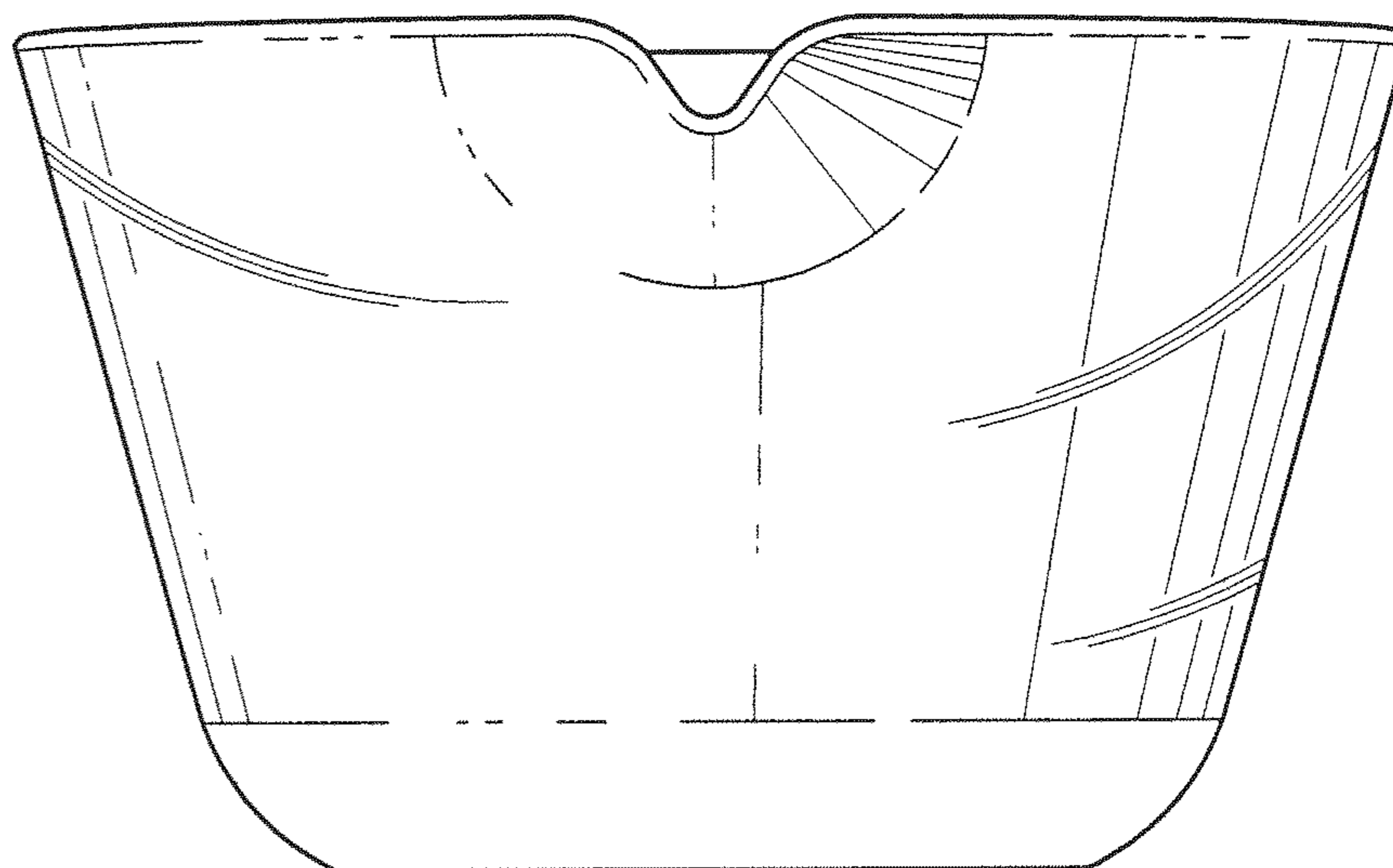


FIG. 5

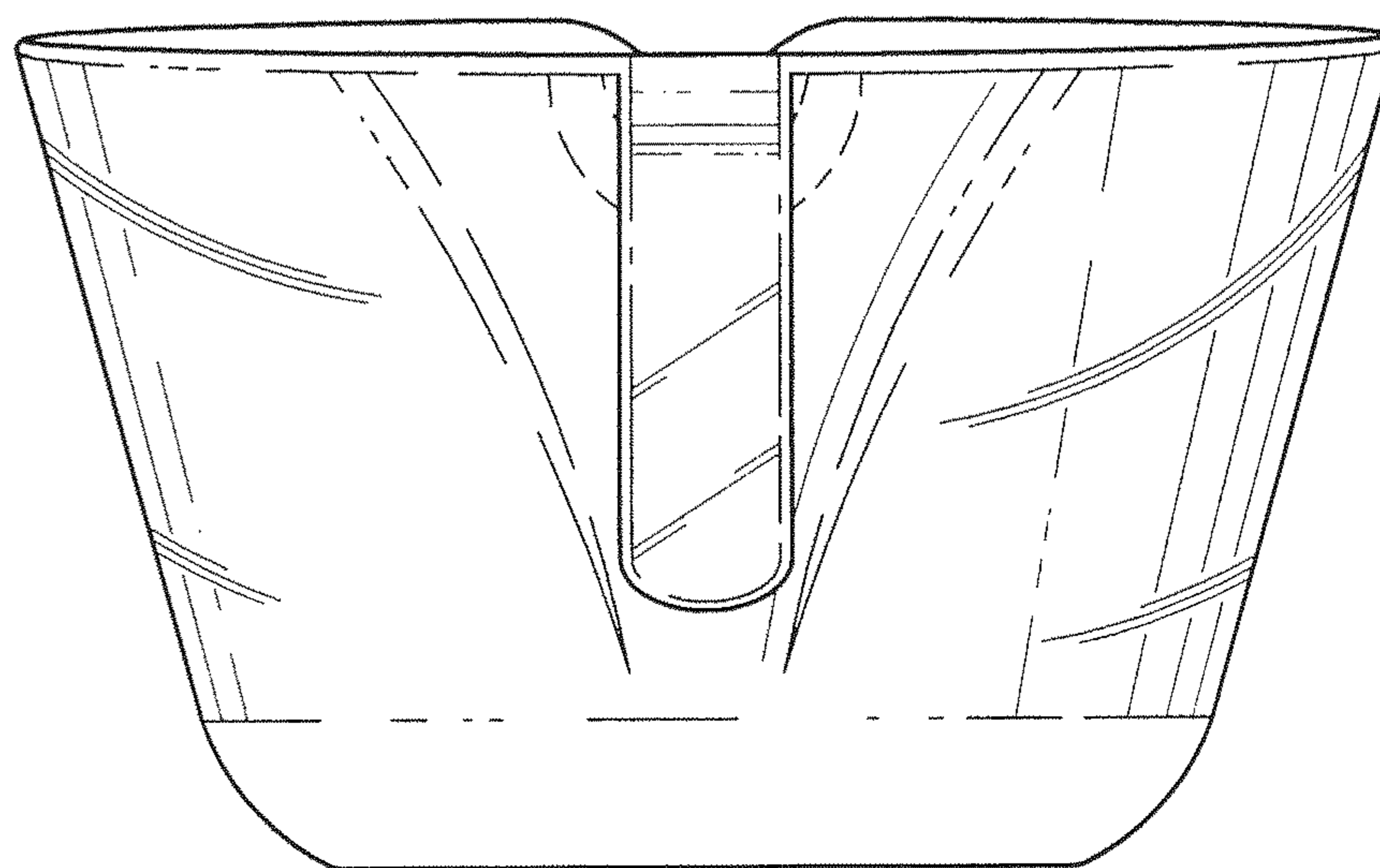


FIG. 6

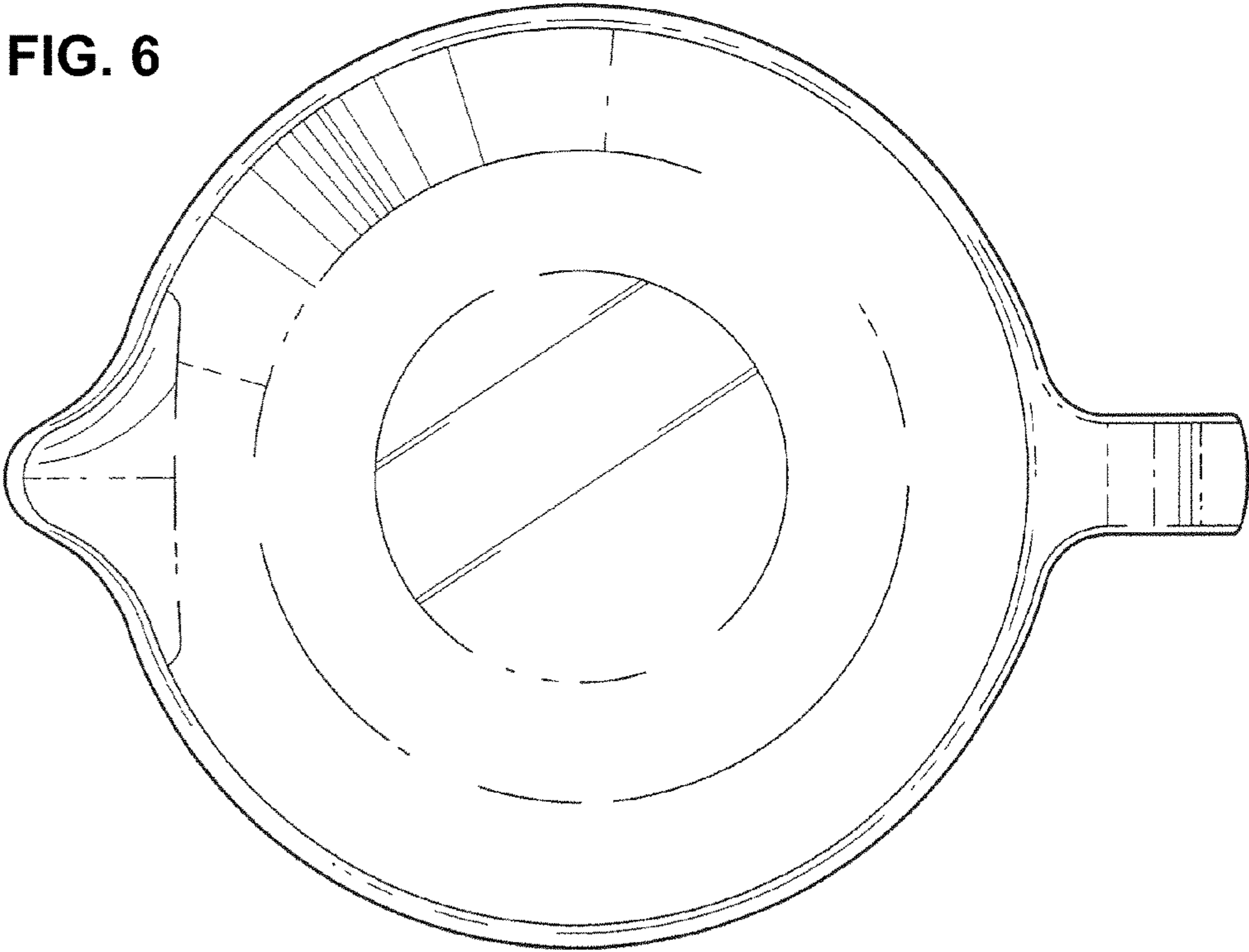


FIG. 7

