



US00D641265S

(12) **United States Design Patent**  
**Tamura et al.**

(10) **Patent No.:** **US D641,265 S**  
(45) **Date of Patent:** **\*\* Jul. 12, 2011**

(54) **MEASURING CONTAINER**

D202,369 S 9/1965 Feldman  
D211,047 S \* 5/1968 Johnson ..... D10/46.2  
3,530,722 A 9/1970 Miller

(75) Inventors: **Nao Tamura**, Brooklyn, NY (US); **Neil Hart**, Elmira, NY (US); **Rick Pudliner**, Charleroi, PA (US); **Mark Cooley**, Bentleyville, PA (US)

(Continued)

**FOREIGN PATENT DOCUMENTS**

(73) Assignee: **WKI Holding Company, Inc.**, Rosemont, IL (US)

FR 2766692 7/1997

(Continued)

(\*\*) Term: **14 Years**

**OTHER PUBLICATIONS**

(21) Appl. No.: **29/346,699**

Exhibit A—Image of a Rubbermaid® measuring cup believed to be sold prior to the filing date of the subject application.

(Continued)

(22) Filed: **Nov. 4, 2009**

(51) **LOC (9) Cl.** ..... **10-04**

*Primary Examiner* — Ian Simmons

(52) **U.S. Cl.** ..... **D10/46.2**

*Assistant Examiner* — Dana L Sipos

(58) **Field of Classification Search** ..... D10/46.2–46.3;  
D7/505, 543, 545, 587, 590, 600.1, 601, 300,  
D7/637–638, 688, 691, 693, 368, 213; 73/426–429;  
30/324–328; 294/55

(74) *Attorney, Agent, or Firm* — McDermott Will & Emery LLP

See application file for complete search history.

(57) **CLAIM**

We claim the ornamental design for a measuring container, as shown and described.

**DESCRIPTION**

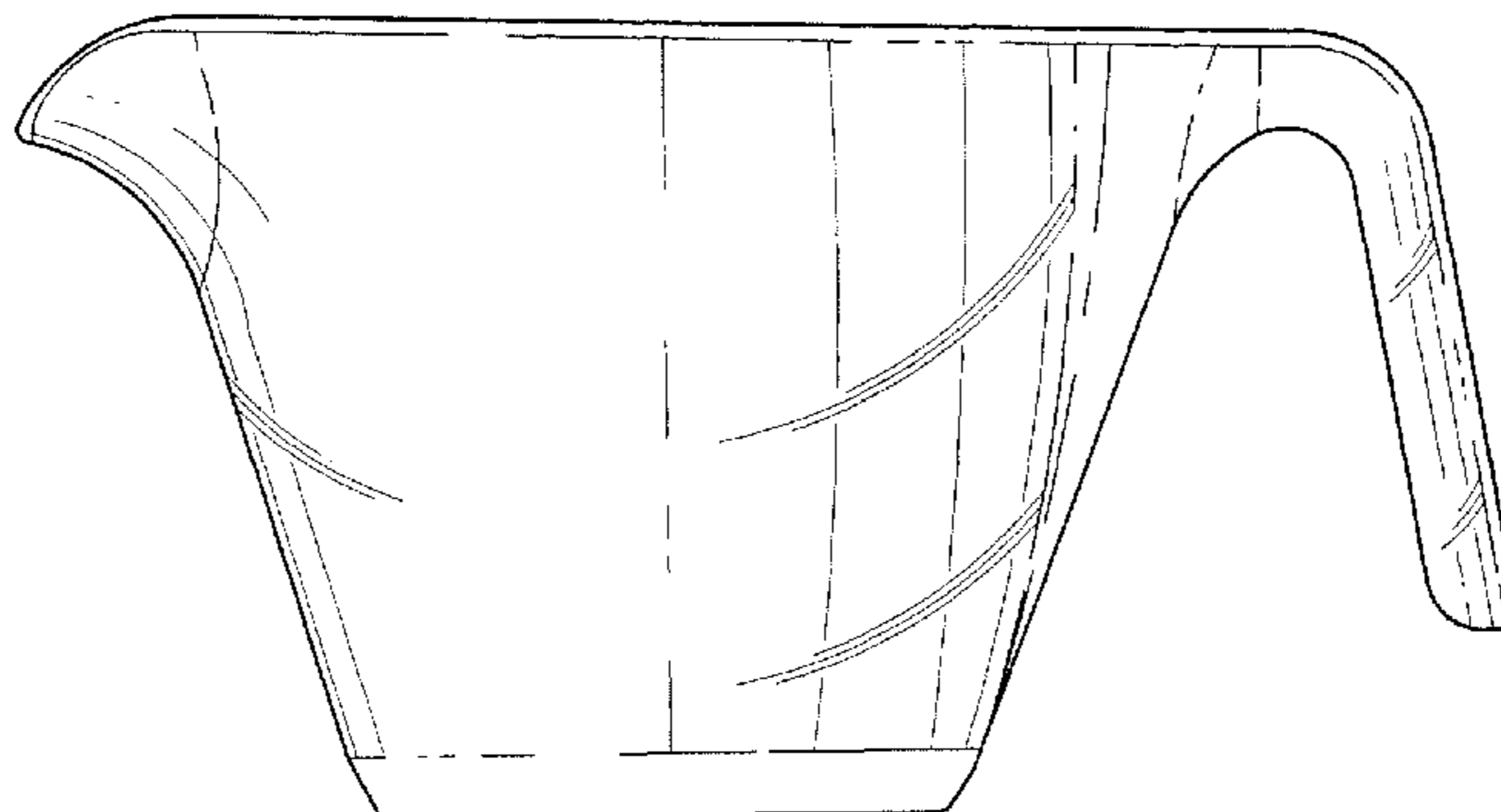
(56) **References Cited**

**U.S. PATENT DOCUMENTS**

39,346 A	7/1863	Hillman
153,159 A	7/1874	Dinwiddie
217,050 A	7/1879	Block
258,035 A	5/1882	Eastman
432,018 A	3/1890	Young
449,147 A	3/1891	Welch
598,891 A	2/1898	Barnekov
679,628 A	7/1901	Lehmann
925,582 A	6/1909	Kipp
1,105,114 A	7/1914	Tsuru
1,250,890 A	12/1917	Johnson
1,386,571 A	8/1921	Jackson
1,507,968 A	9/1924	Johnson
1,674,475 A	6/1928	Loomis
1,711,796 A	5/1929	Knight
D99,405 S	4/1936	Marschall
2,165,045 A	7/1939	Garside
2,758,771 A	8/1956	Bauer
D202,368 S	9/1965	Feldman

FIG. 1 is a perspective view of a measuring container according to the new design;  
FIG. 2 is a front view of the measuring container shown in FIG. 1;  
FIG. 3 is a rear view of the measuring container shown in FIG. 1;  
FIG. 4 is a left side elevation view of the measuring container shown in FIG. 1;  
FIG. 5 is a right side elevation view of the measuring container shown in FIG. 1;  
FIG. 6 is a top view of the measuring container shown in FIG. 1; and,  
FIG. 7 is a bottom view of the measuring container shown in FIG. 1.  
Features shown in broken lines form no part of the claimed design.

**1 Claim, 4 Drawing Sheets**



# US D641,265 S

Page 2

## U.S. PATENT DOCUMENTS

3,636,360 A 1/1972 Oishi et al.  
3,672,061 A 6/1972 Alessi  
3,832,785 A 9/1974 Miller  
3,881,102 A 4/1975 Willits et al.  
3,931,741 A 1/1976 Ceccarelli  
4,115,939 A 9/1978 Marks  
4,262,535 A 4/1981 Andersson  
D268,158 S 3/1983 Doyel  
D287,324 S 12/1986 Schmidt  
4,641,025 A 2/1987 Miller  
5,235,853 A 8/1993 Froes  
5,607,078 A 3/1997 Nordberg et al.  
D394,217 S 5/1998 Laib  
5,823,046 A 10/1998 Schagerstrom et al.  
5,863,431 A 1/1999 Salzburg  
5,966,214 A 10/1999 Imbrock et al.  
6,048,069 A 4/2000 Nagaoka et al.  
6,098,029 A 8/2000 Takagi et al.  
D431,478 S 10/2000 Fortier  
6,212,953 B1 4/2001 Bethune  
6,238,907 B1 5/2001 Schuler-Maloney et al.  
6,263,732 B1 7/2001 Hoeting et al.  
6,357,130 B1 3/2002 Rank  
6,375,031 B1 4/2002 Kwan  
D473,148 S 4/2003 Kleckauskas et al.

6,769,302 B1 8/2004 King et al.  
D548,114 S \* 8/2007 Sawhney et al. .... D10/46.2  
D548,115 S \* 8/2007 Sawhney et al. .... D10/46.2  
D559,029 S \* 1/2008 Gonzalez et al. .... D7/318  
D562,160 S 2/2008 Cohen  
D580,798 S \* 11/2008 Barber ..... D10/46.2  
7,665,359 B2 \* 2/2010 Barber ..... 73/426  
2001/0042402 A1 11/2001 Hoeting et al.  
2002/0029635 A1 3/2002 Kremen

## FOREIGN PATENT DOCUMENTS

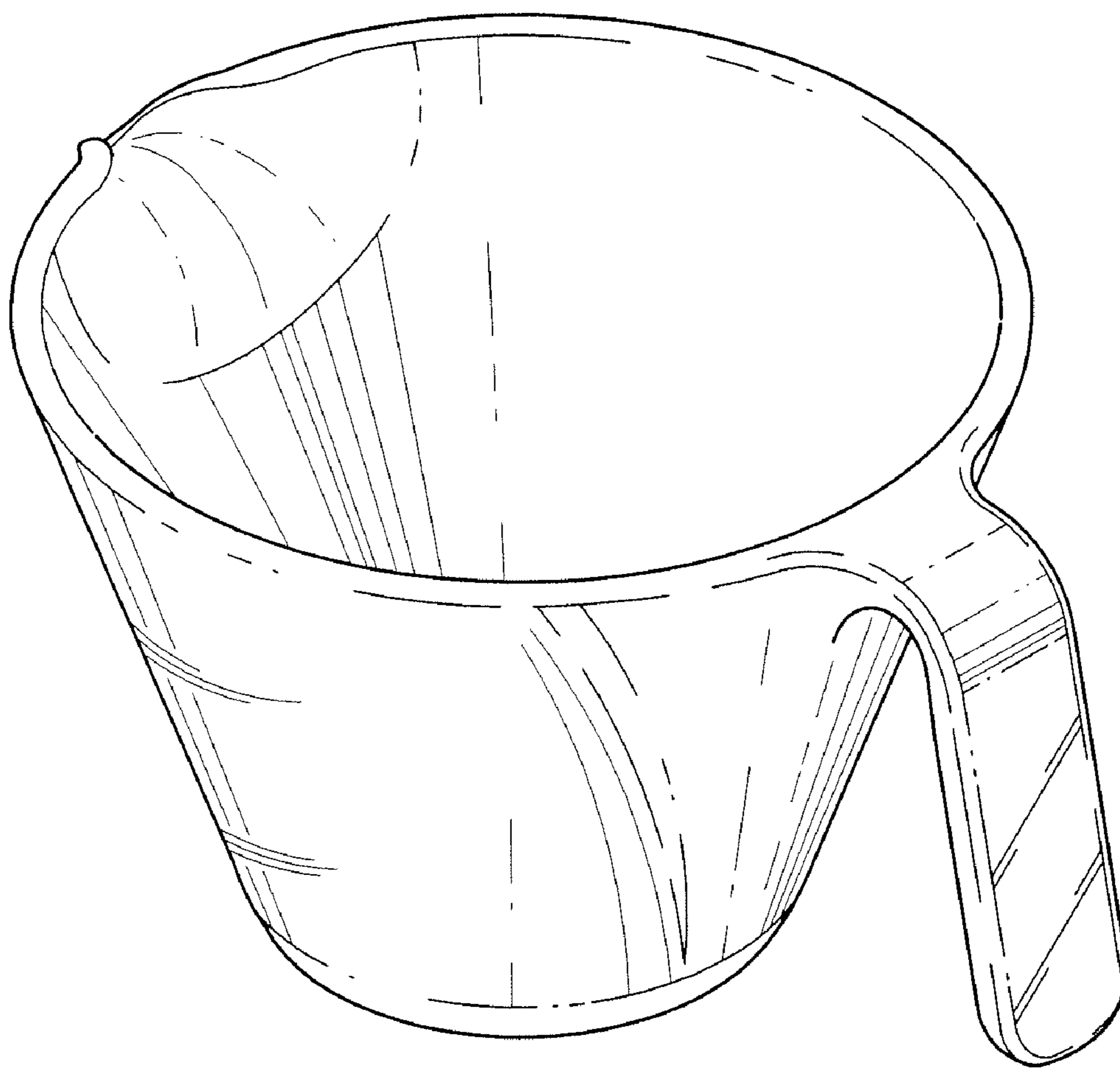
JP 61160024 7/1986  
JP 2000304590 11/2000

## OTHER PUBLICATIONS

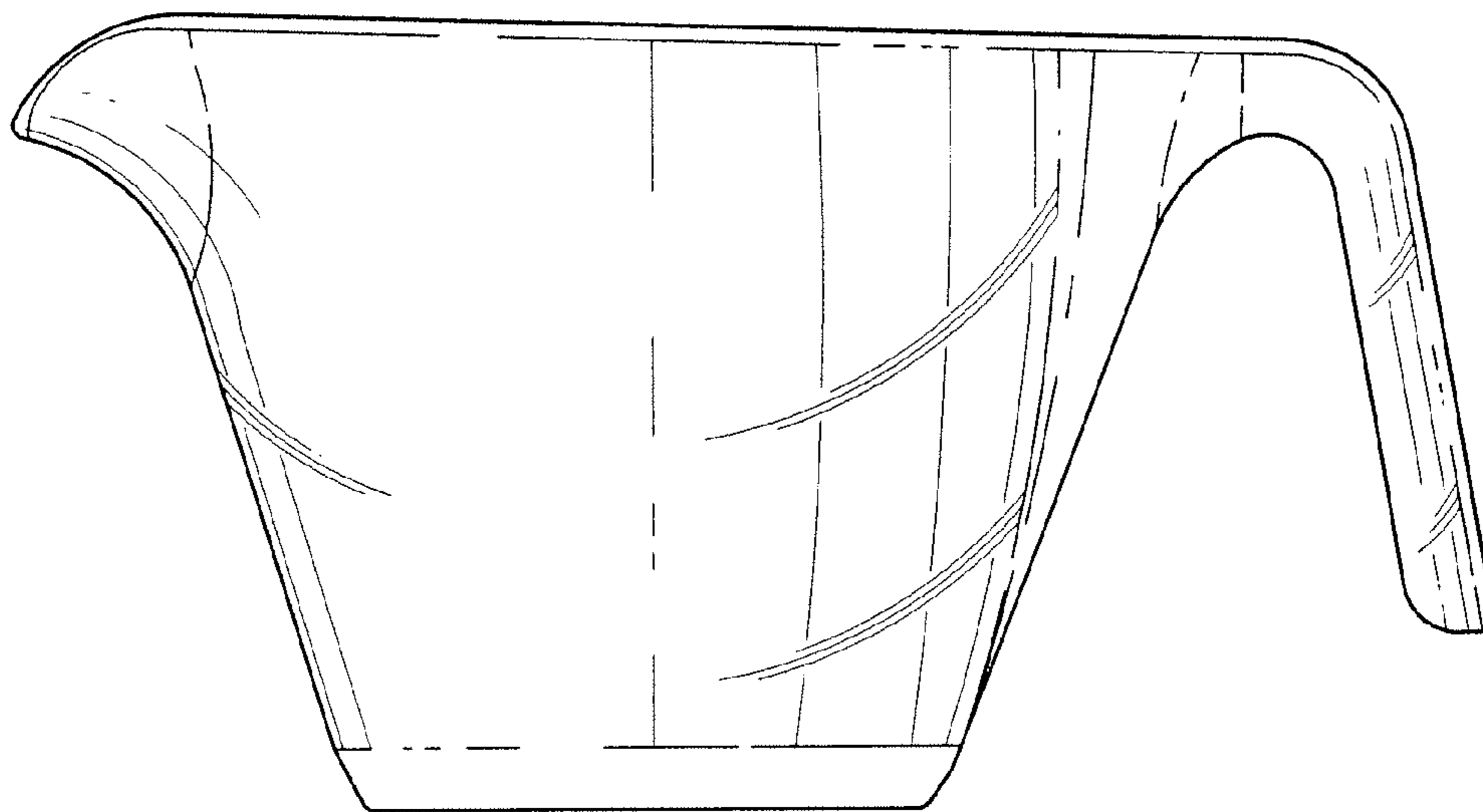
Exhibit B—Image of a Rubbermaid® measuring cup believed to be sold prior to the filing date of the subject application.  
Exhibit C—Image of a Pyrex® measuring cup believed to be sold prior to the filing date of the subject application.  
Exhibit D—Image of a Pyrex® measuring cup believed to be sold prior to the filing date of the subject application.  
Exhibit E—Image of a Zyliss® measuring cup believed to be sold prior to the filing date of the subject application.

\* cited by examiner

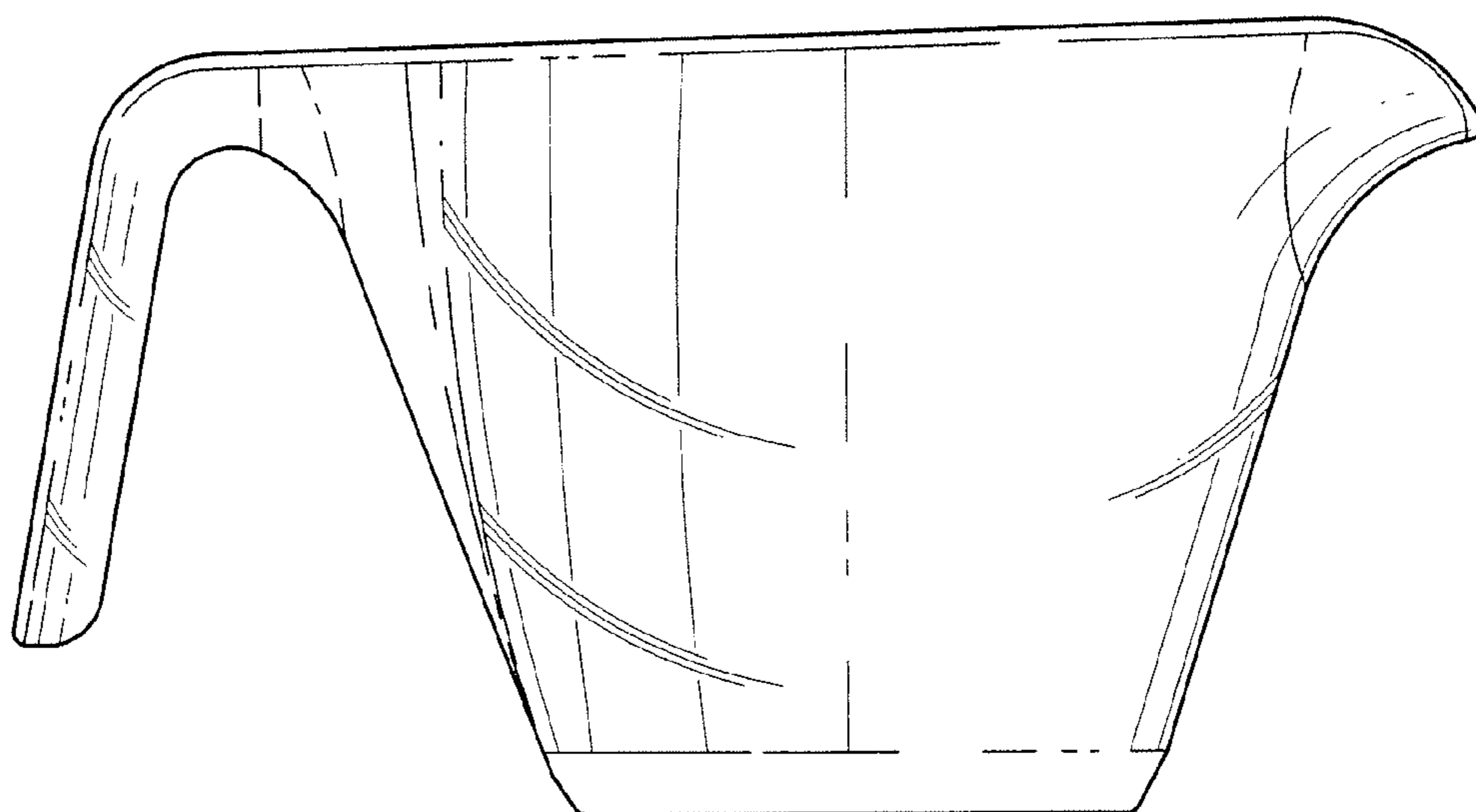
*FIG. 1*



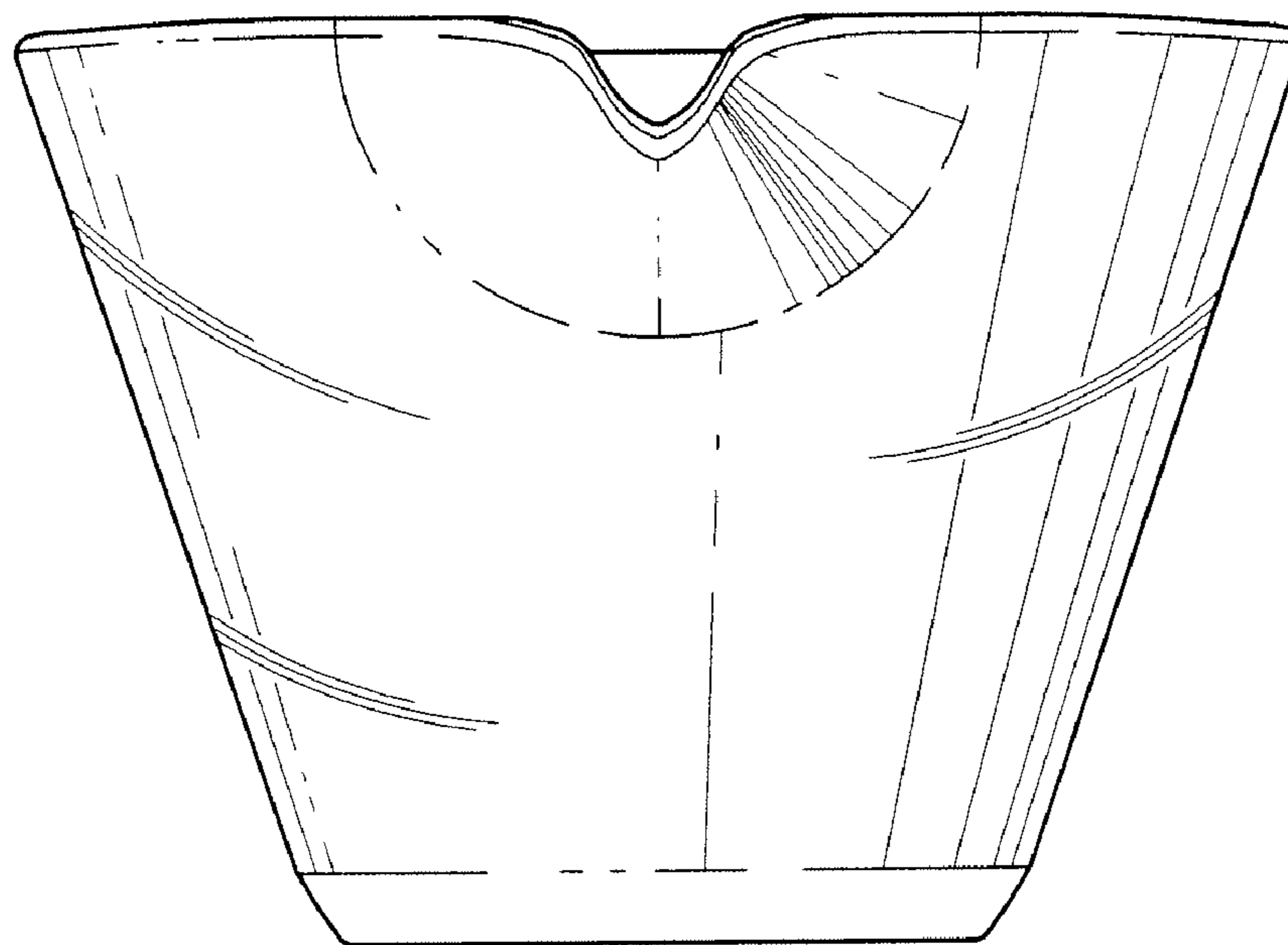
*FIG. 2*



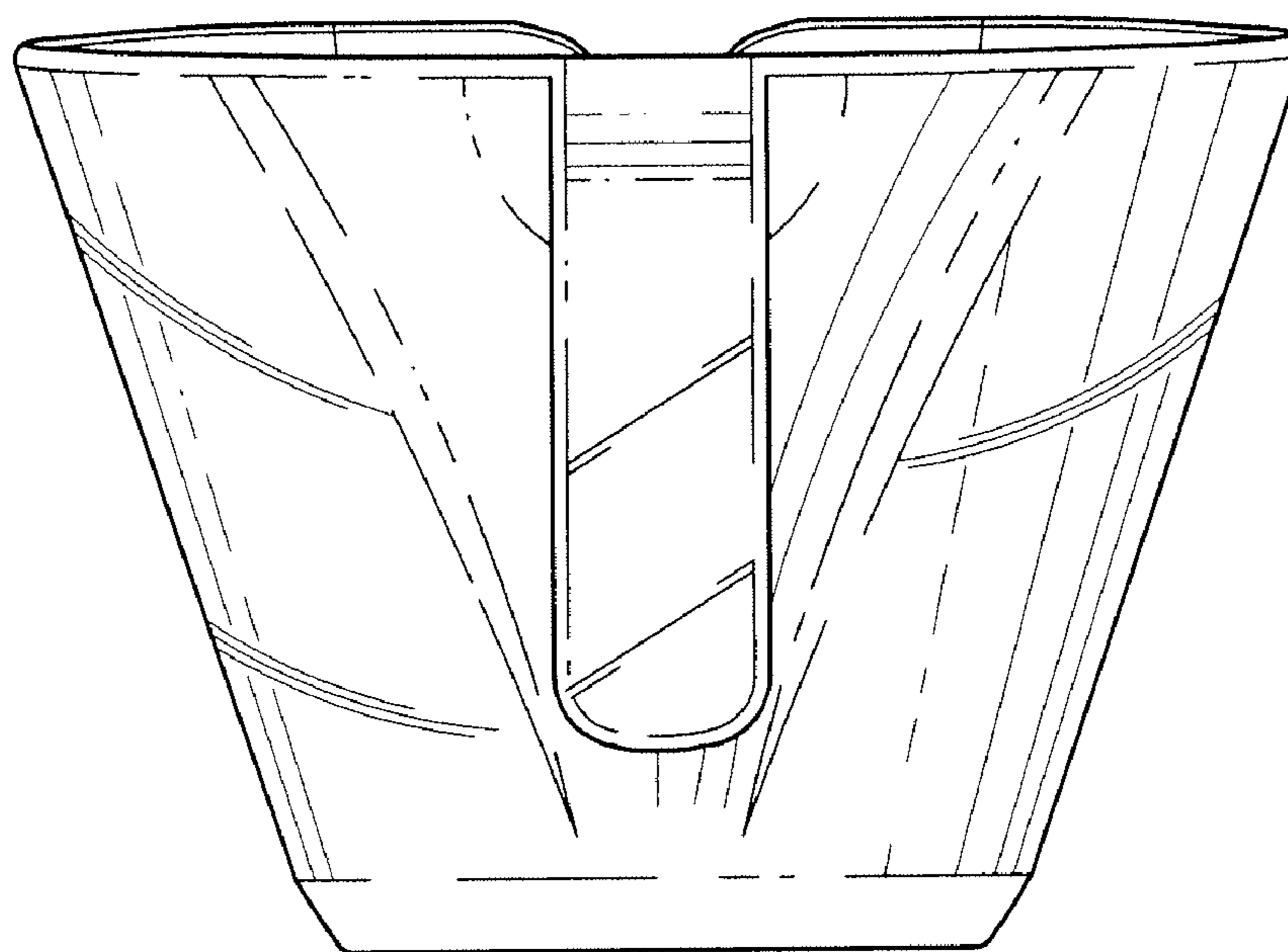
*FIG. 3*



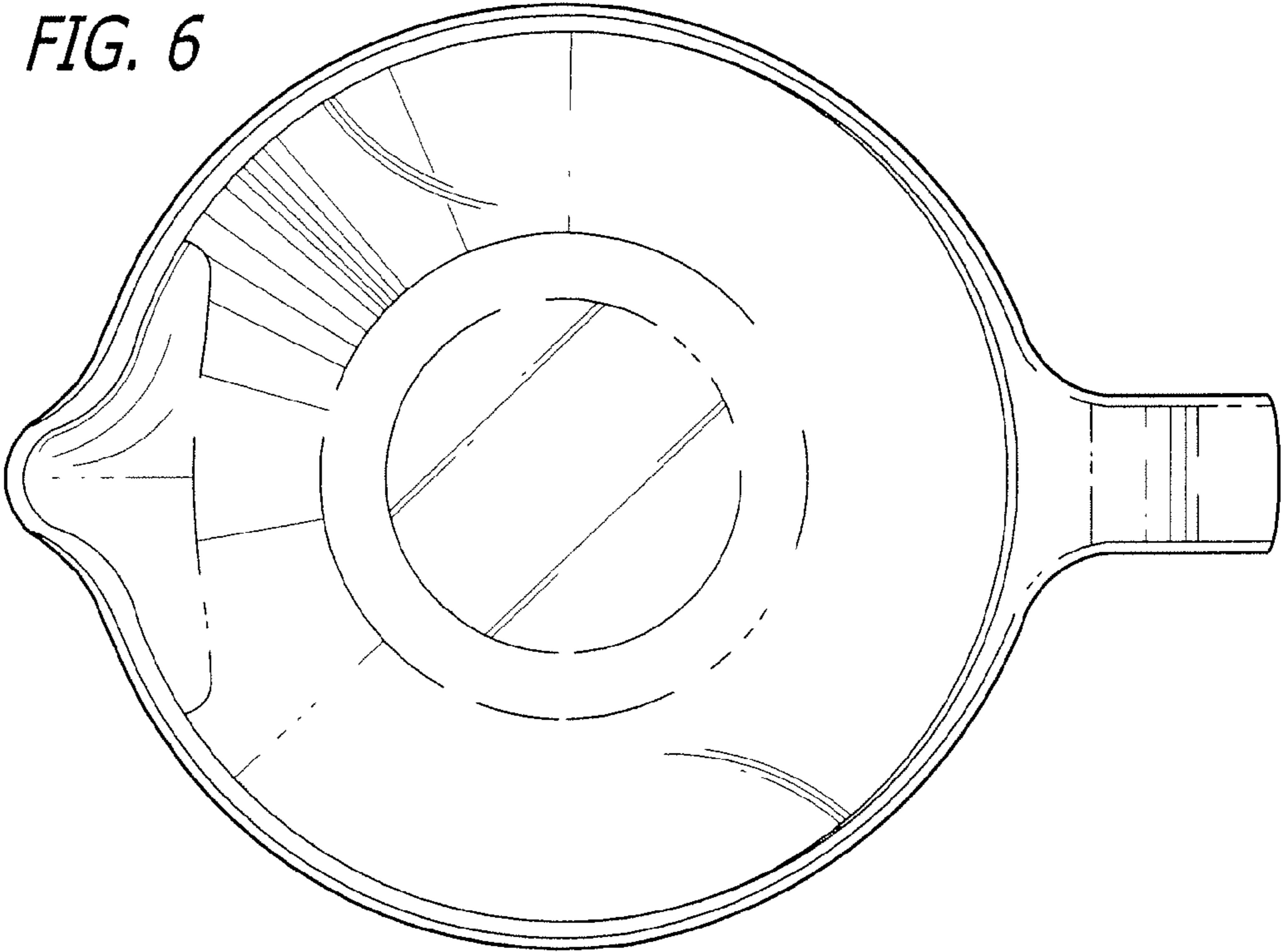
*FIG. 4*



*FIG. 5*



*FIG. 6*



*FIG. 7*

