



US00D641259S

(12) **United States Design Patent**
Wilson et al.

(10) **Patent No.:** **US D641,259 S**
(45) **Date of Patent:** **** *Jul. 12, 2011**

- (54) **TRAY AND LID ASSEMBLY**
- (75) Inventors: **Tracie L. Wilson**, Westminster, MD (US); **Troy Hill**, Reading, PA (US); **Porter Gieske**, Lutherville, MD (US)
- (73) Assignee: **McCormick and Company, Incorporated**, Sparks, MD (US)

- D394,750 S 6/1998 Iversen et al.
 - D398,226 S 9/1998 Lai et al.
 - D409,910 S 5/1999 Hayes et al.
 - D444,382 S 7/2001 Hayes et al.
 - D455,651 S 4/2002 Ma
 - D459,991 S 7/2002 Middelbrink
 - D475,919 S 6/2003 Choffez
 - D478,812 S * 8/2003 Hobbs D9/756
- (Continued)

(**) Term: **14 Years**

(21) Appl. No.: **29/362,031**

(22) Filed: **May 19, 2010**

(51) **LOC (9) Cl.** **09-03**

(52) **U.S. Cl.** **D9/751; D9/418; D9/424**

(58) **Field of Classification Search** D9/414, D9/418, 420-425, 428, 432, 435, 436, 751, D9/737; D7/601, 602, 550.1, 629; D3/273, D3/274; 206/508, 216, 541, 457, 557, 822; 426/106, 129, 130; 220/213, 783, 789, 790, 220/796, 797, 376, 351, 601, 669, 674, 675; 229/108, 114, 116.1, 120.14, 122.27, 186, 229/406, 407, 902-906, 938

See application file for complete search history.

(56) **References Cited**

U.S. PATENT DOCUMENTS

- D120,125 S 4/1940 Korda
- 2,498,757 A 2/1950 High
- 2,619,251 A 11/1952 Schmidt
- D190,974 S 7/1961 Salis
- 3,172,768 A 3/1965 Joosten et al.
- D210,273 S 2/1968 Rhee
- 3,935,944 A 2/1976 Wilson et al.
- 4,573,586 A 3/1986 Helmer
- D288,484 S 2/1987 Mitchell
- D288,513 S 3/1987 Shelly
- D292,887 S * 11/1987 Schouten D9/424
- D295,830 S 5/1988 Holly
- D305,003 S 12/1989 Hayes et al.
- D381,560 S * 7/1997 Indekeu D7/538

OTHER PUBLICATIONS

U.S. Appl. No. 29/362,030, filed May 19, 2010, Wilson et al.

Primary Examiner — Mark Goodwin

(74) *Attorney, Agent, or Firm* — Oblon, Spivak, McClelland, Maier & Neustadt, L.L.P.

(57) **CLAIM**

The ornamental design for a tray and lid assembly, as shown and described.

DESCRIPTION

FIG. 1 is a top, front, and right side perspective view of a tray and lid assembly;

FIG. 2 is a front elevational view thereof;

FIG. 3 is a left side elevational view thereof, the right side elevational view being a mirror image of the left side elevational view shown;

FIG. 4 is a top plan view thereof;

FIG. 5 is a bottom plan view of the tray;

FIG. 6 is a bottom and front perspective view of the tray;

FIG. 7 is a front elevational view of the tray;

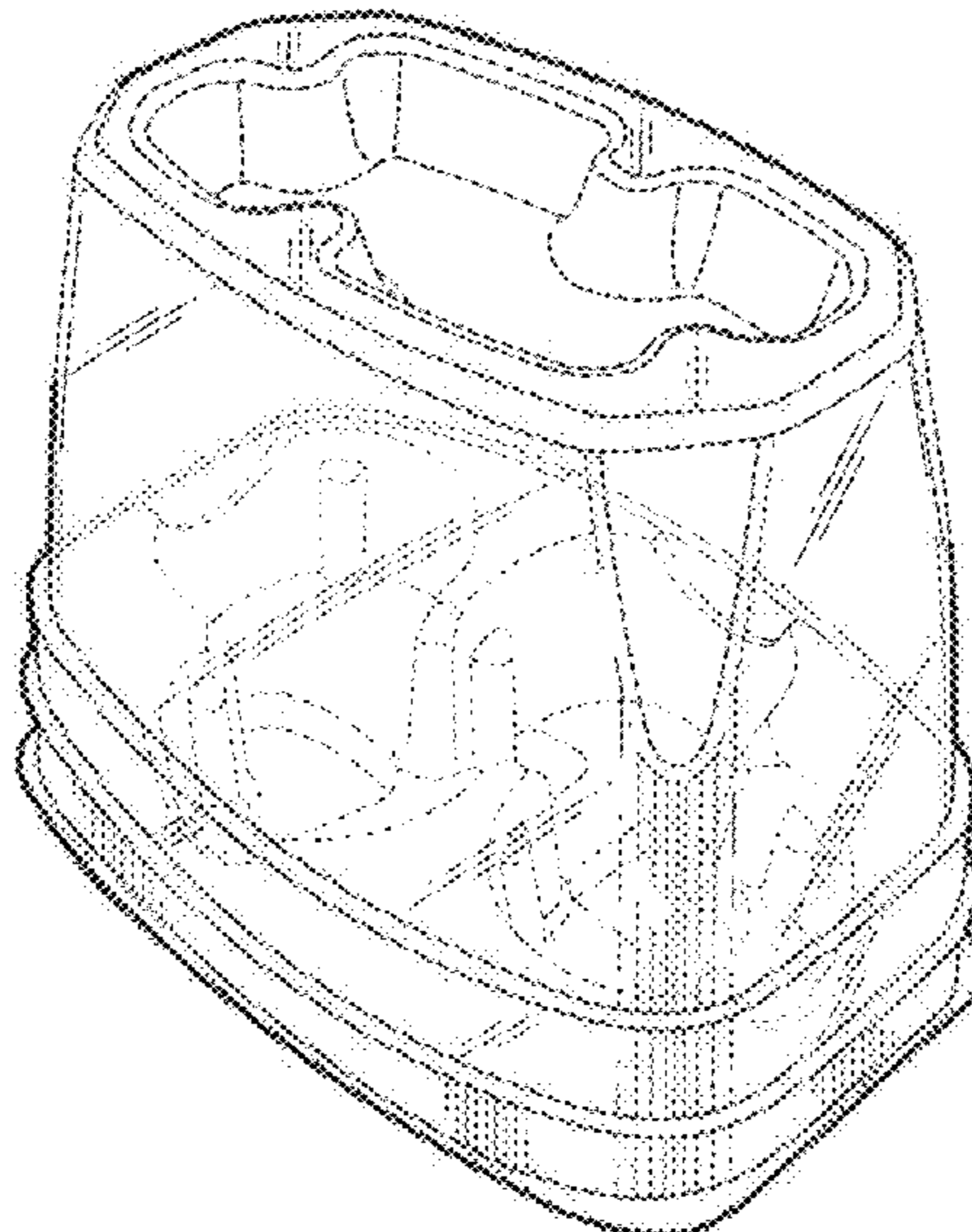
FIG. 8 is a left side elevational view of the tray;

FIG. 9 is a top plan view of the tray;

FIG. 10 is an exploded view of FIG. 1; and,

FIG. 11 is a front and right side perspective view thereof, shown in use with bottles disposed within the assembly. The broken lines in the drawings depict environmental subject matter only and form no part of the claimed design.

1 Claim, 10 Drawing Sheets



US D641,259 S

Page 2

U.S. PATENT DOCUMENTS

D481,943 S *	11/2003	Hobbs	D9/756	D527,626 S *	9/2006	Weiss et al.	D9/425
D482,277 S *	11/2003	Castellanos et al.	D9/425	D528,412 S *	9/2006	Snedden et al.	D9/432
D484,797 S *	1/2004	Kipperman et al.	D9/424	D533,451 S	12/2006	McCumber	
D494,857 S *	8/2004	Chen et al.	D9/759	D540,630 S	4/2007	Jenkins	
D499,645 S *	12/2004	Edwards	D9/429	D544,790 S *	6/2007	Bouveret et al.	D9/428
D513,979 S *	1/2006	Snedden et al.	D9/425	D553,012 S *	10/2007	Changpan	D9/761
D514,438 S *	2/2006	Snedden et al.	D9/425	D572,148 S *	7/2008	Mangino et al.	D9/737
D514,439 S *	2/2006	Snedden et al.	D9/425	D572,149 S *	7/2008	Mangino et al.	D9/737
D514,440 S *	2/2006	Snedden et al.	D9/425	D588,450 S	3/2009	Snedden et al.	
D514,441 S *	2/2006	Snedden et al.	D9/425	D610,406 S *	2/2010	Rauckman	D7/541
D514,929 S *	2/2006	Snedden et al.	D9/425	D615,821 S *	5/2010	Stamper	D7/541
D514,930 S *	2/2006	Snedden et al.	D9/425	D628,473 S *	12/2010	Golota et al.	D9/425
D514,931 S *	2/2006	Snedden et al.	D9/425				

* cited by examiner

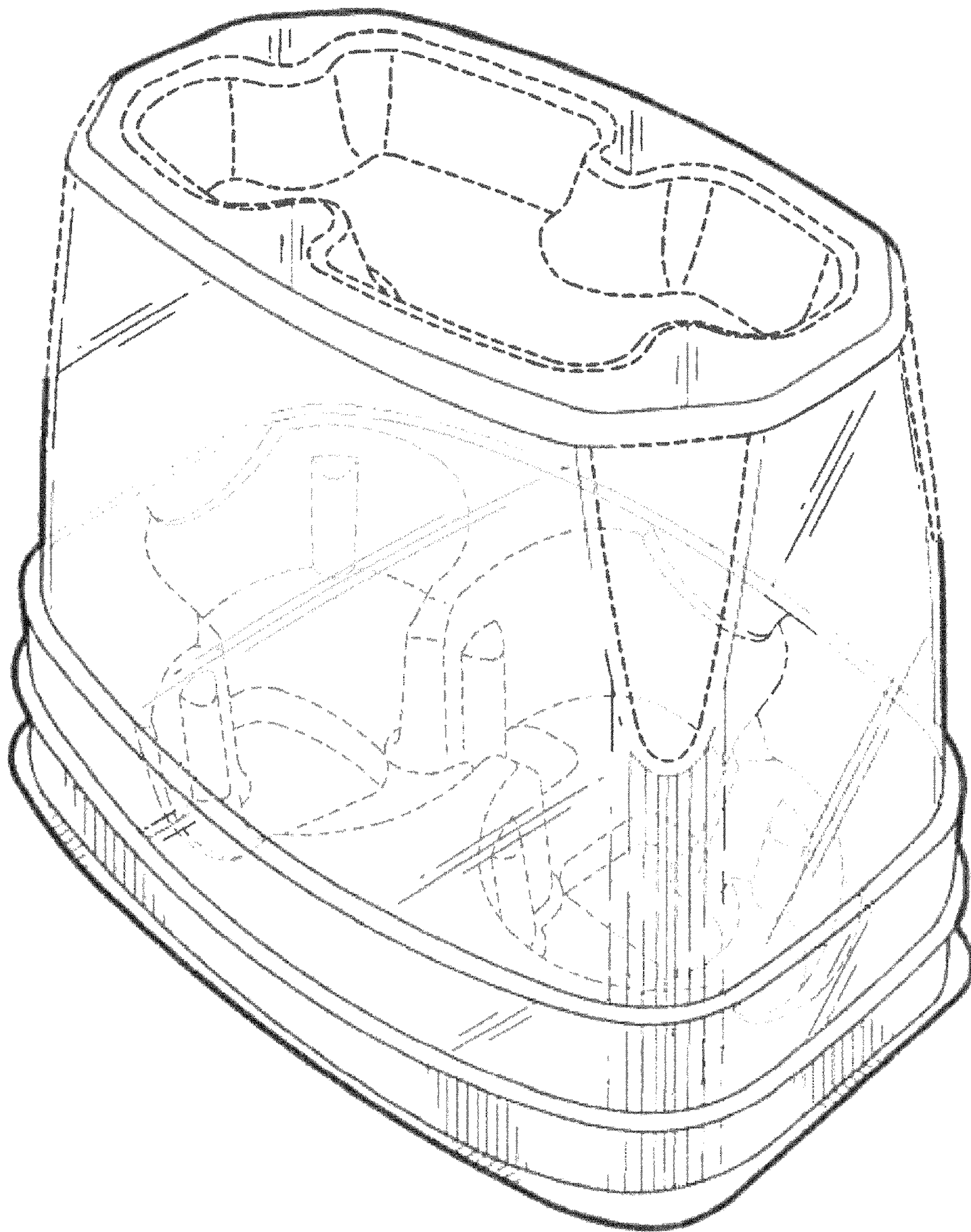


Fig. 1

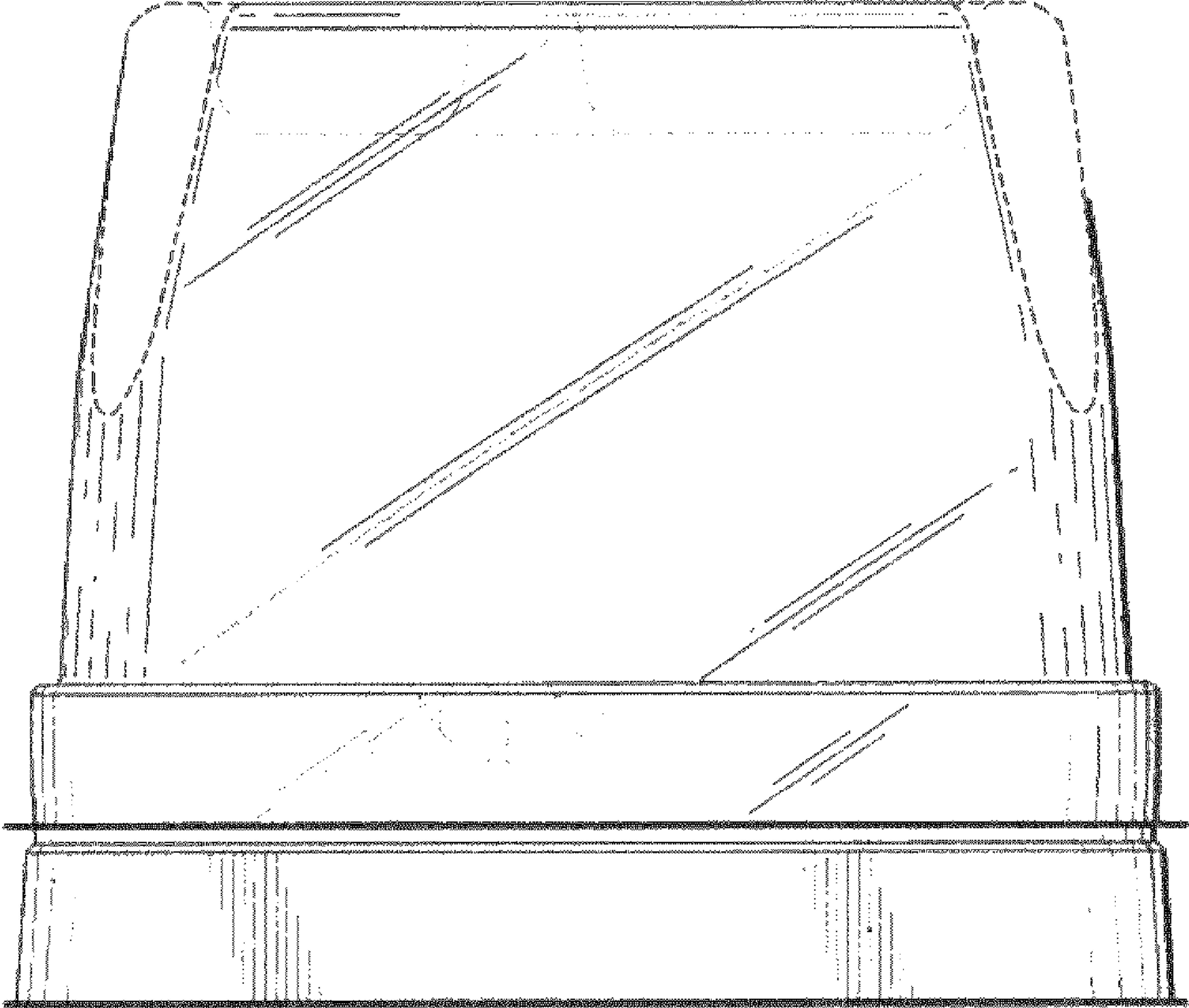


Fig. 2

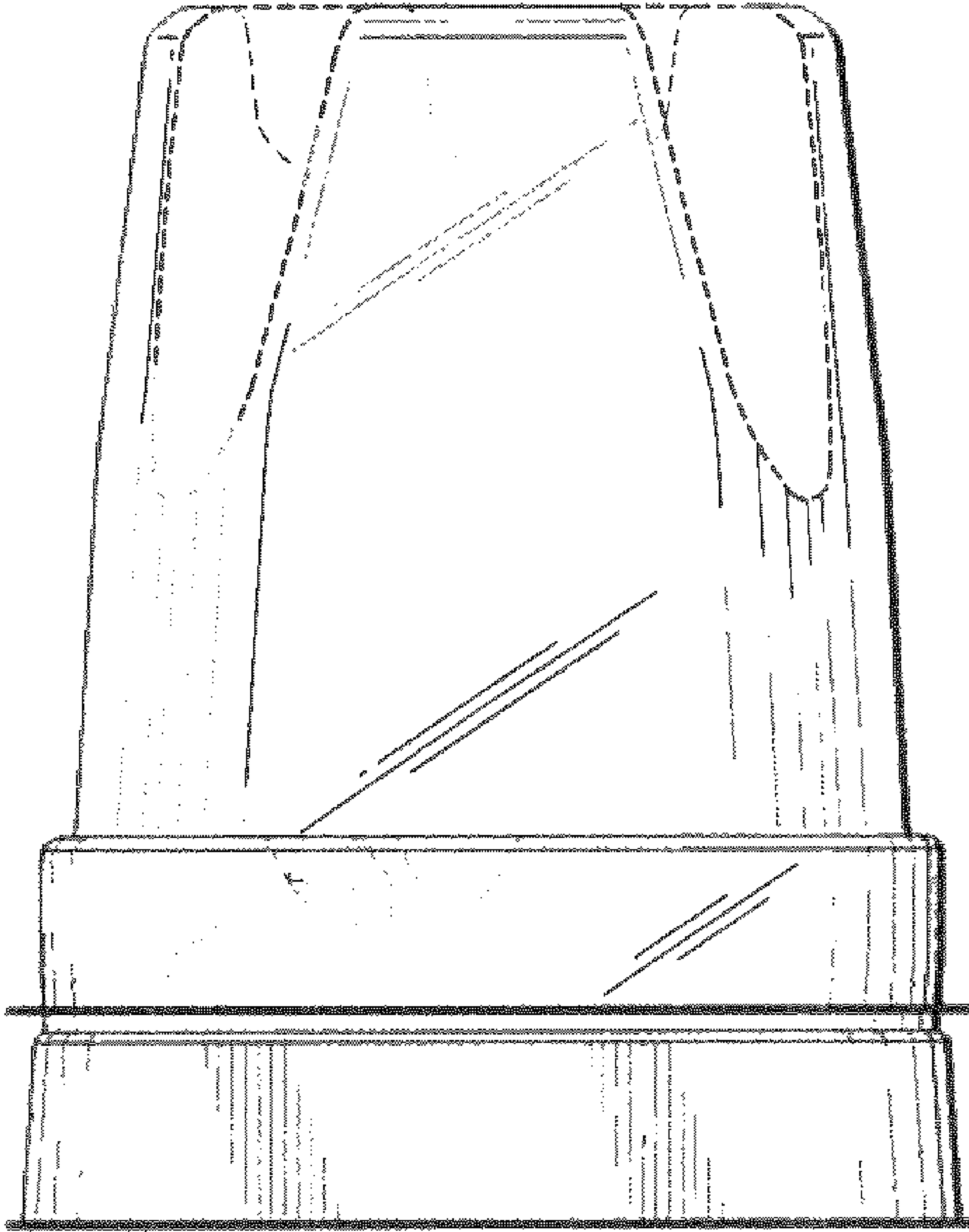


Fig. 3

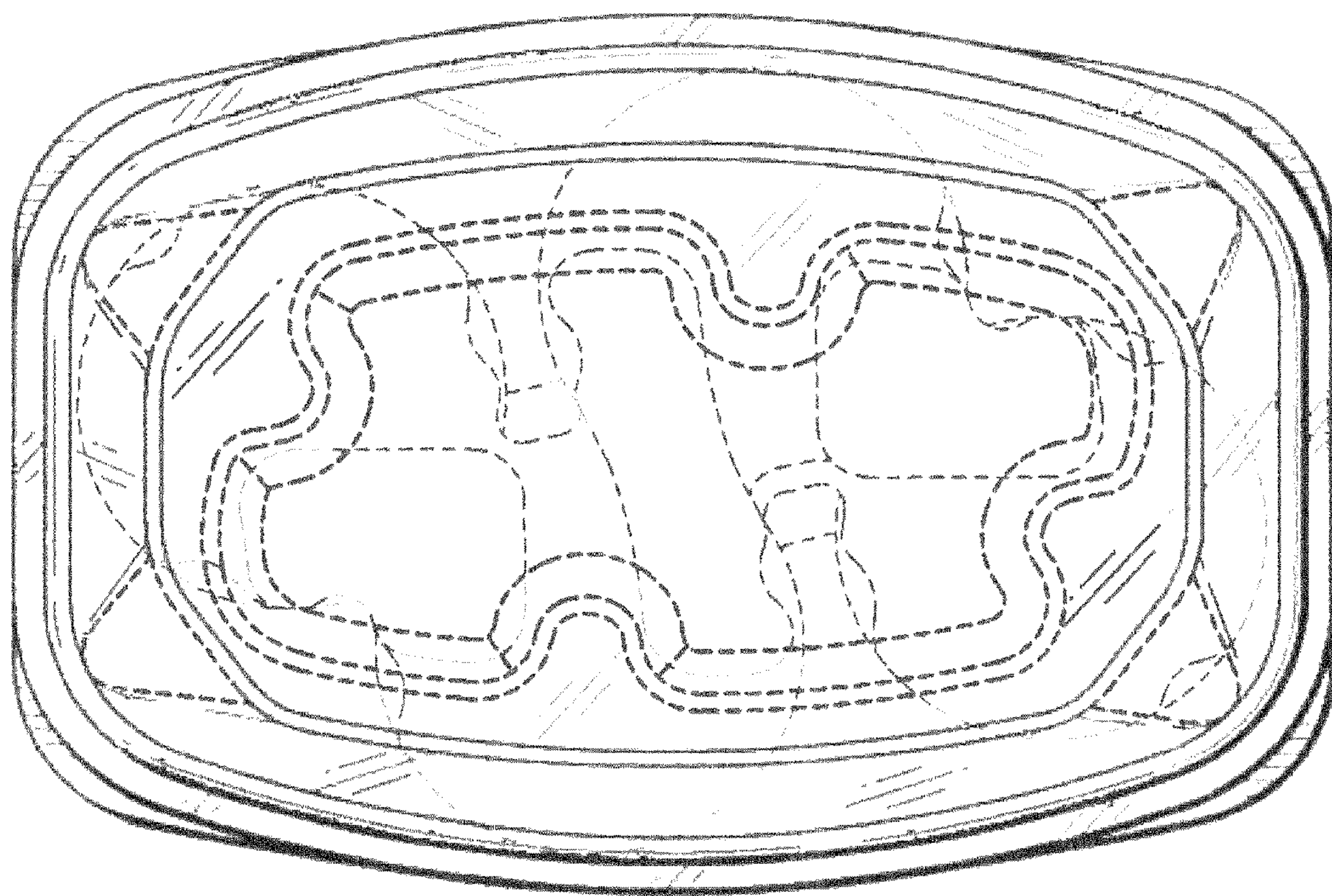


Fig. 4

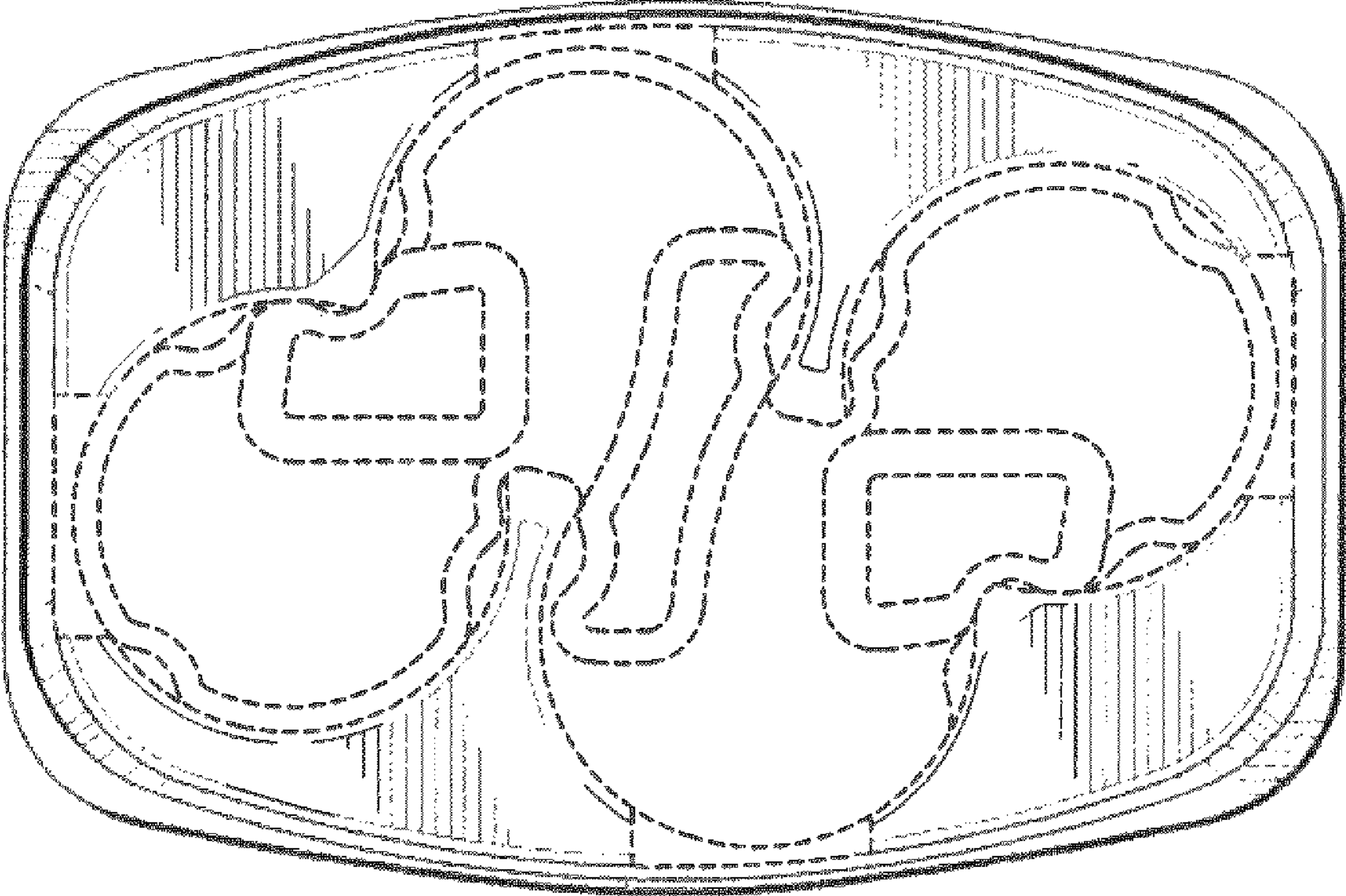


Fig. 5

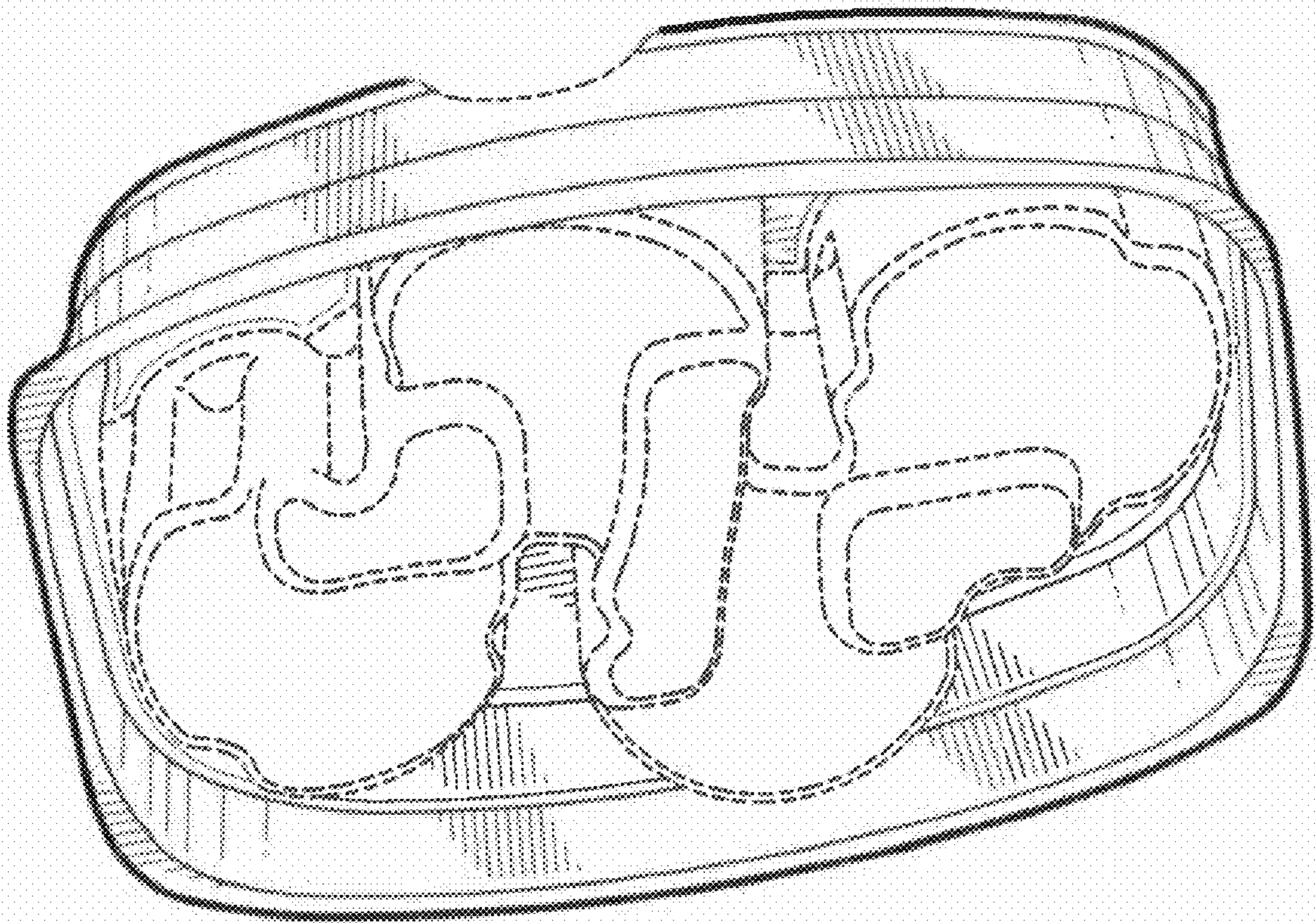


Fig. 6

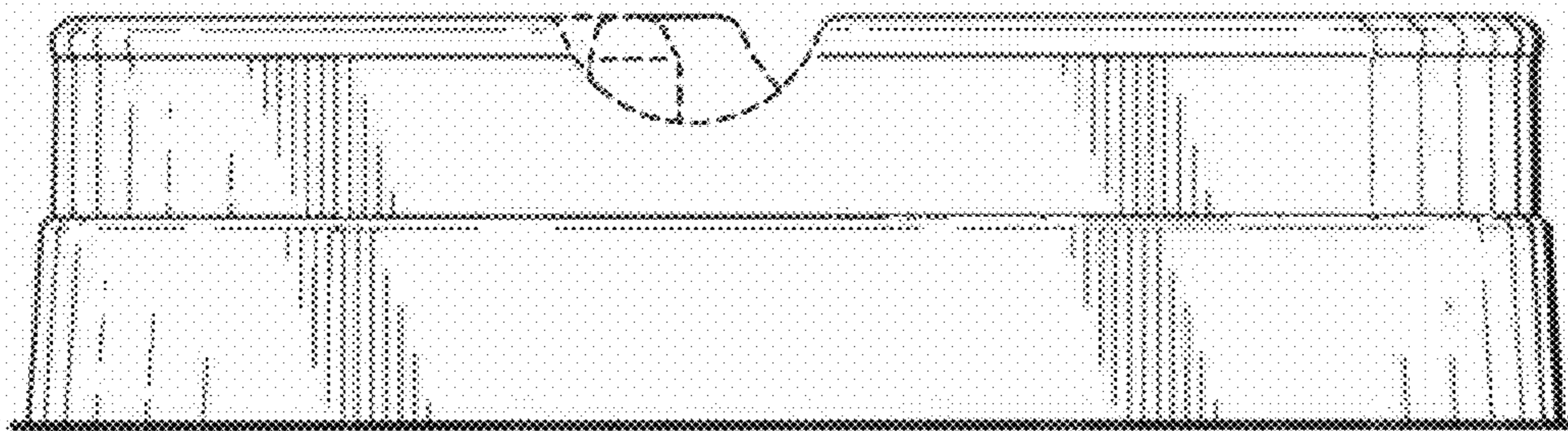


Fig. 7

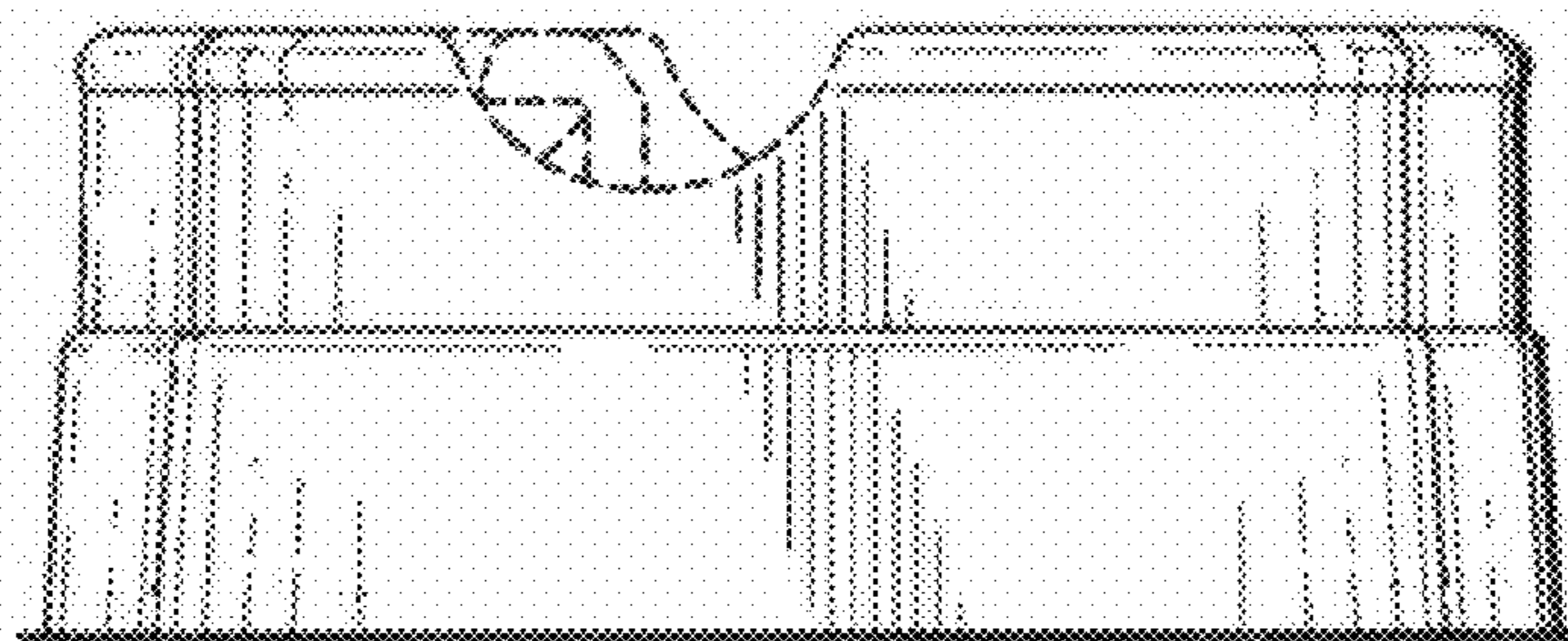


Fig. 8

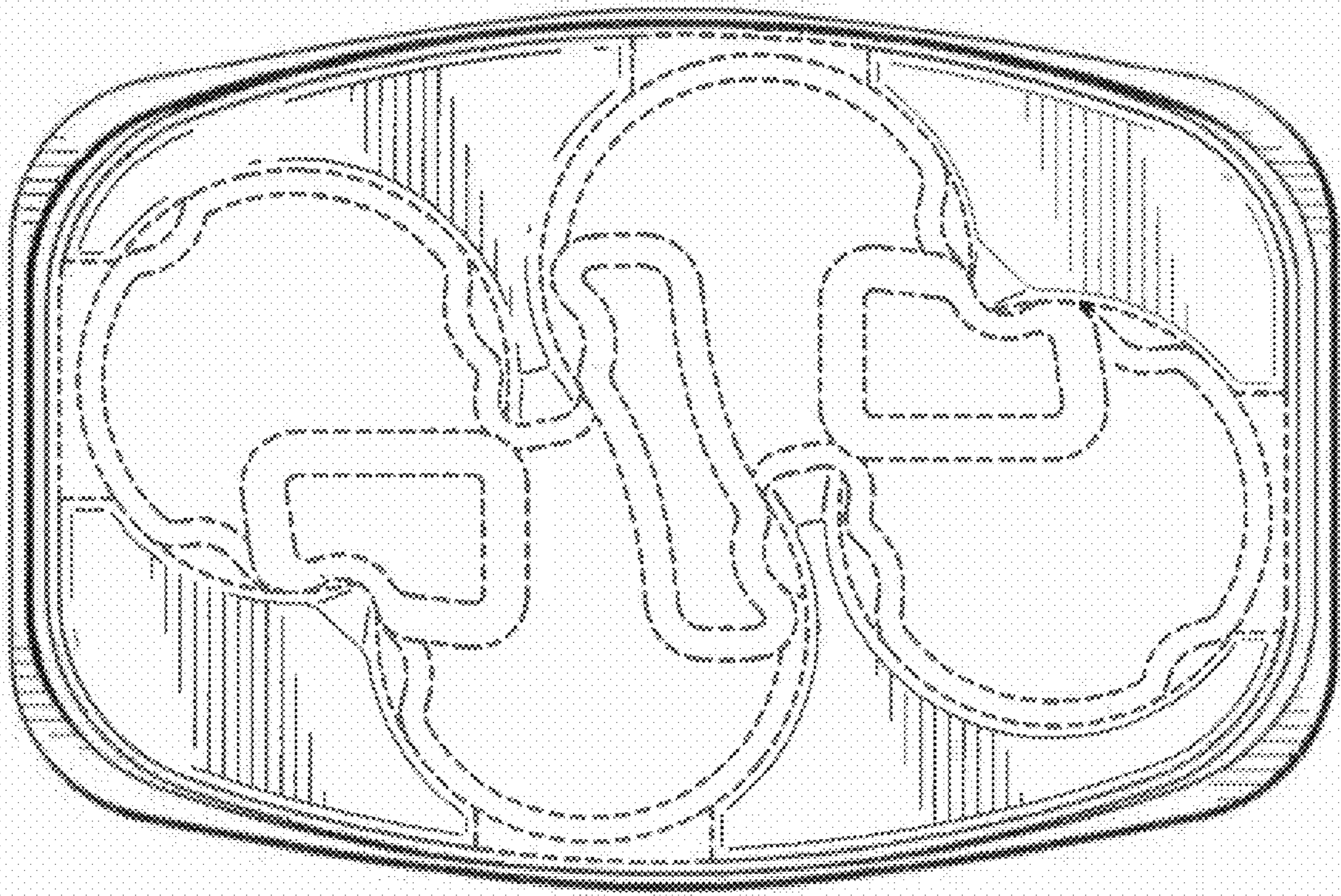


Fig. 9

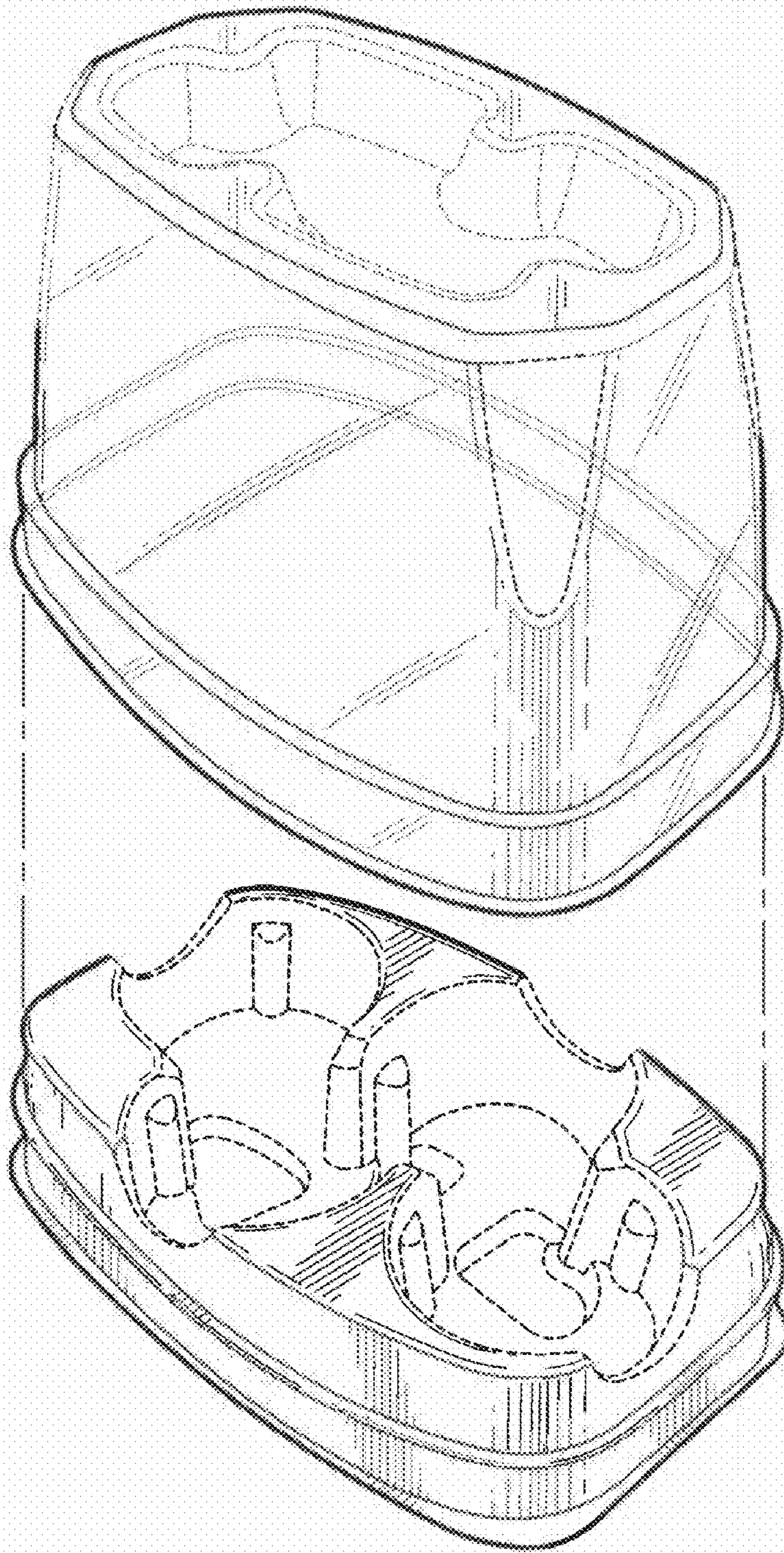


Fig. 10

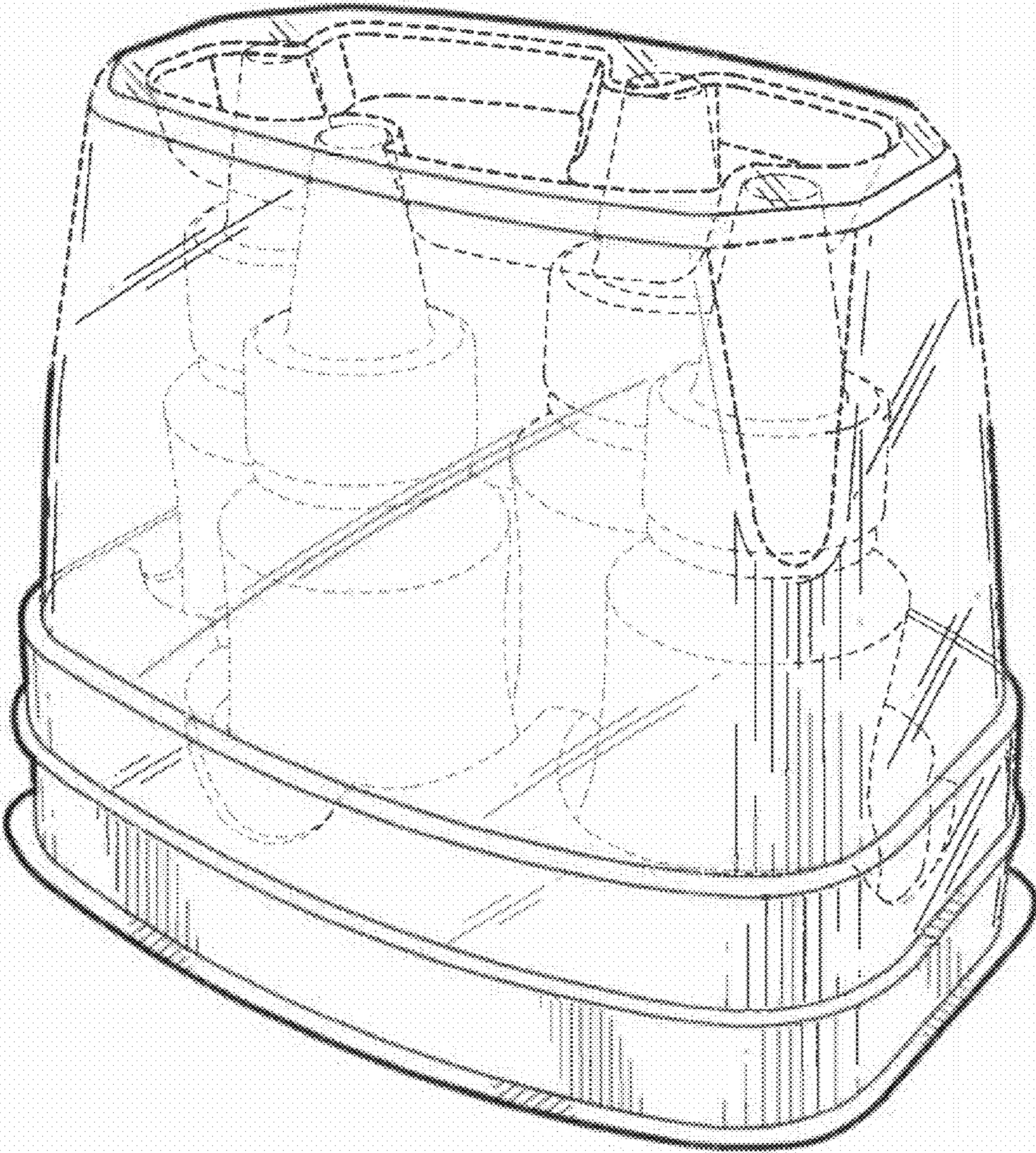


Fig. 11