



US00D641258S

(12) **United States Design Patent**  
**Wilson et al.**

(10) **Patent No.:** **US D641,258 S**  
(45) **Date of Patent:** **\*\* \*Jul. 12, 2011**

(54) **TRAY AND LID ASSEMBLY**  
(75) Inventors: **Tracie L. Wilson**, Westminster, MD (US); **Troy Hill**, Reading, PA (US); **Porter Gieske**, Lutherville, MD (US)

D398,226 S 9/1998 Lai et al.  
D409,910 S 5/1999 Hayes et al.  
D444,382 S 7/2001 Hayes et al.  
D455,651 S 4/2002 Ma  
D459,991 S 7/2002 Middelbrink  
D475,919 S 6/2003 Choffez  
D478,812 S \* 8/2003 Hobbs ..... D9/756

(73) Assignee: **McCormick and Company, Incorporated**, Sparks, MD (US)

(Continued)

(\*\*) Term: **14 Years**

**OTHER PUBLICATIONS**

U.S. Appl. No. 29/362,030, filed May 19, 2010, Wilson et al.

(21) Appl. No.: **29/362,030**

(Continued)

(22) Filed: **May 19, 2010**

*Primary Examiner* — Mark A Goodwin

(51) **LOC (9) Cl.** ..... **09-03**

(74) *Attorney, Agent, or Firm* — Oblon, Spivak, McClelland, Maier & Neustadt, L.L.P.

(52) **U.S. Cl.** ..... **D9/751**; D9/418; D9/424

(58) **Field of Classification Search** ..... D9/414, D9/418, 420-425, 428, 432, 435, 436, 751, D9/737; D7/601, 602, 550.1, 629; D3/273, D3/274; 206/508, 216, 541, 457, 557, 822; 426/106, 129, 130; 220/213, 783, 789, 790, 220/796, 797, 376, 351, 601, 669, 674, 675; 229/108, 114, 116.1, 120.14, 122.27, 186, 229/406, 407, 902-906, 938

(57) **CLAIM**

The ornamental design for a tray and lid assembly, as shown and described.

See application file for complete search history.

**DESCRIPTION**

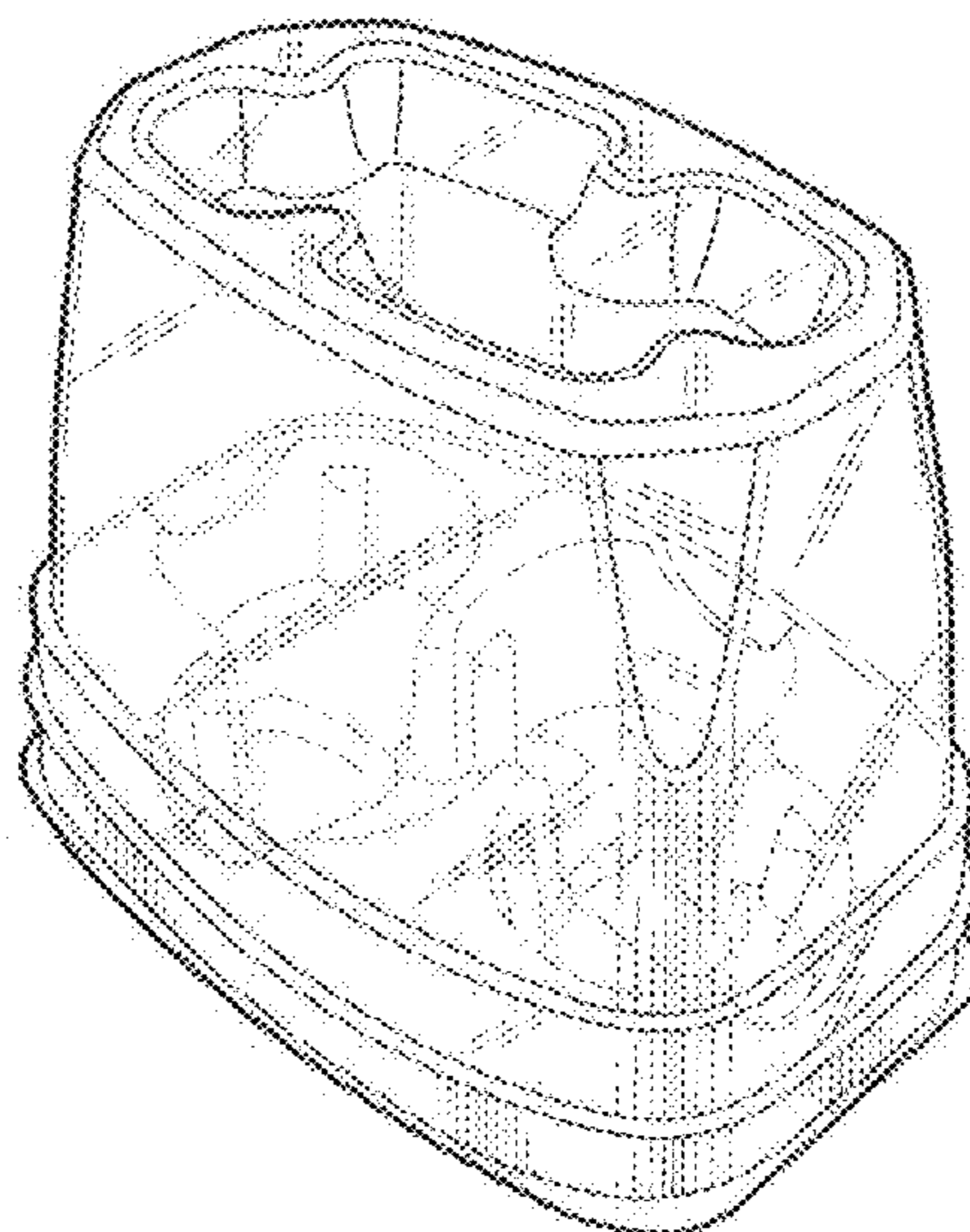
FIG. 1 is a top, front, and right side perspective view of a tray and lid assembly;  
FIG. 2 is a front elevational view thereof;  
FIG. 3 is a left side elevational view thereof, the right side elevational view being a mirror image of the left side elevational view shown;  
FIG. 4 is a top plan view thereof;  
FIG. 5 is a bottom plan view of the tray;  
FIG. 6 is a bottom and front perspective view of the tray;  
FIG. 7 is a front elevational view of the tray;  
FIG. 8 is a left side elevational view of the tray;  
FIG. 9 is a top plan view of the tray;  
FIG. 10 is an exploded view of FIG. 1; and,  
FIG. 11 is a front and right side perspective view thereof, shown in use with bottles disposed within the assembly.  
The broken lines in the drawings depict environmental subject matter only and form no part of the claimed design.

(56) **References Cited**

**U.S. PATENT DOCUMENTS**

D120,125 S	4/1940	Korda	
2,498,757 A	2/1950	High	
2,619,251 A	11/1952	Schmidt	
D190,974 S	7/1961	Salis	
3,172,768 A	3/1965	Joosten et al.	
D210,273 S	2/1968	Rhee	
3,935,944 A	2/1976	Wilson et al.	
4,573,586 A	3/1986	Helmer	
D288,484 S	2/1987	Mitchell	
D288,513 S	3/1987	Shelly	
D292,887 S *	11/1987	Schouten	..... D9/424
D295,830 S	5/1988	Holly	
D305,003 S	12/1989	Hayes et al.	
D381,560 S *	7/1997	Indekeu	..... D7/538
D394,750 S	6/1998	Iversen et al.	

**1 Claim, 10 Drawing Sheets**



# US D641,258 S

Page 2

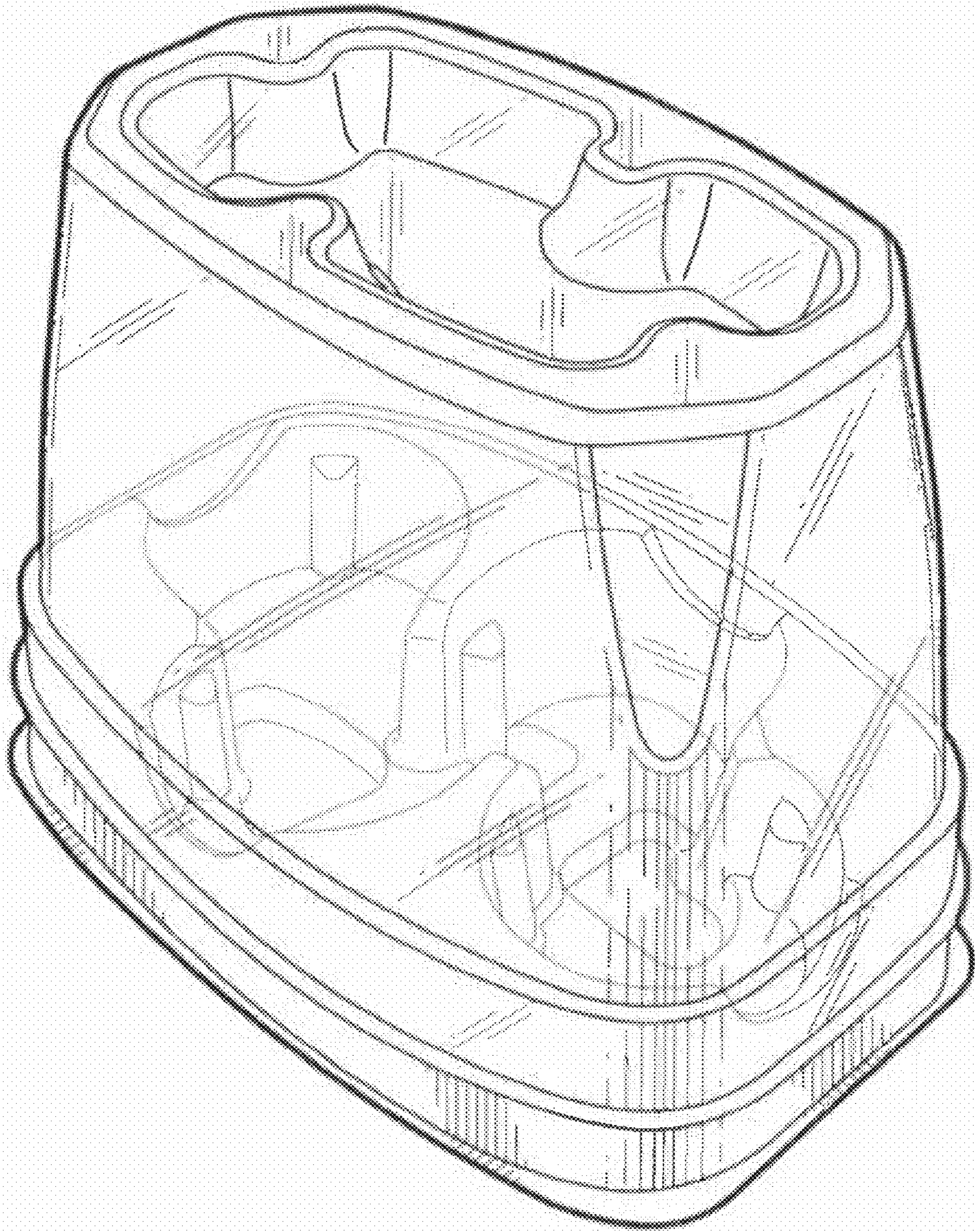
## U.S. PATENT DOCUMENTS

D481,943 S *	11/2003	Hobbs .....	D9/756	D528,412 S *	9/2006	Snedden et al. ....	D9/432
D482,277 S *	11/2003	Castellanos et al. ....	D9/425	D533,451 S	12/2006	McCumber	
D484,797 S *	1/2004	Kipperman et al. ....	D9/424	D540,630 S	4/2007	Jenkins	
D494,857 S *	8/2004	Chen et al. ....	D9/759	D544,790 S *	6/2007	Bouveret et al. ....	D9/428
D499,645 S *	12/2004	Edwards .....	D9/429	D553,012 S *	10/2007	Changpan .....	D9/761
D513,979 S *	1/2006	Snedden et al. ....	D9/425	D572,148 S *	7/2008	Mangino et al. ....	D9/737
D514,438 S *	2/2006	Snedden et al. ....	D9/425	D572,149 S *	7/2008	Mangino et al. ....	D9/737
D514,439 S *	2/2006	Snedden et al. ....	D9/425	D588,450 S	3/2009	Snedden et al.	
D514,440 S *	2/2006	Snedden et al. ....	D9/425	D610,406 S *	2/2010	Rauckman .....	D7/541
D514,441 S *	2/2006	Snedden et al. ....	D9/425	D615,821 S *	5/2010	Stamper .....	D7/541
D514,929 S *	2/2006	Snedden et al. ....	D9/425	D628,473 S *	12/2010	Golota et al. ....	D9/425
D514,930 S *	2/2006	Snedden et al. ....	D9/425				
D514,931 S *	2/2006	Snedden et al. ....	D9/425				
D527,626 S *	9/2006	Weiss et al. ....	D9/425				

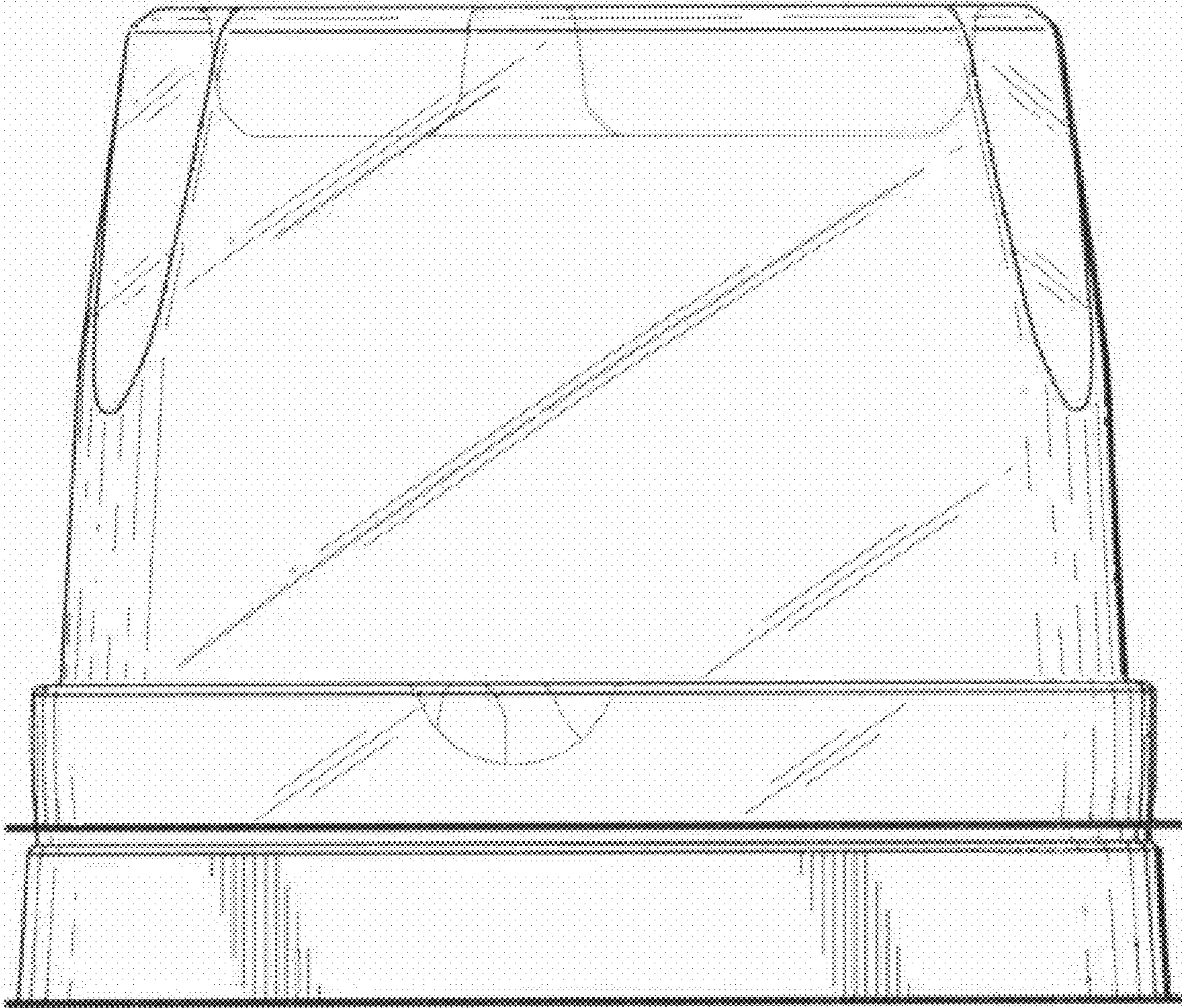
## OTHER PUBLICATIONS

U.S. Appl. No. 29/362,031, filed May 19, 2010, Wilson et al.

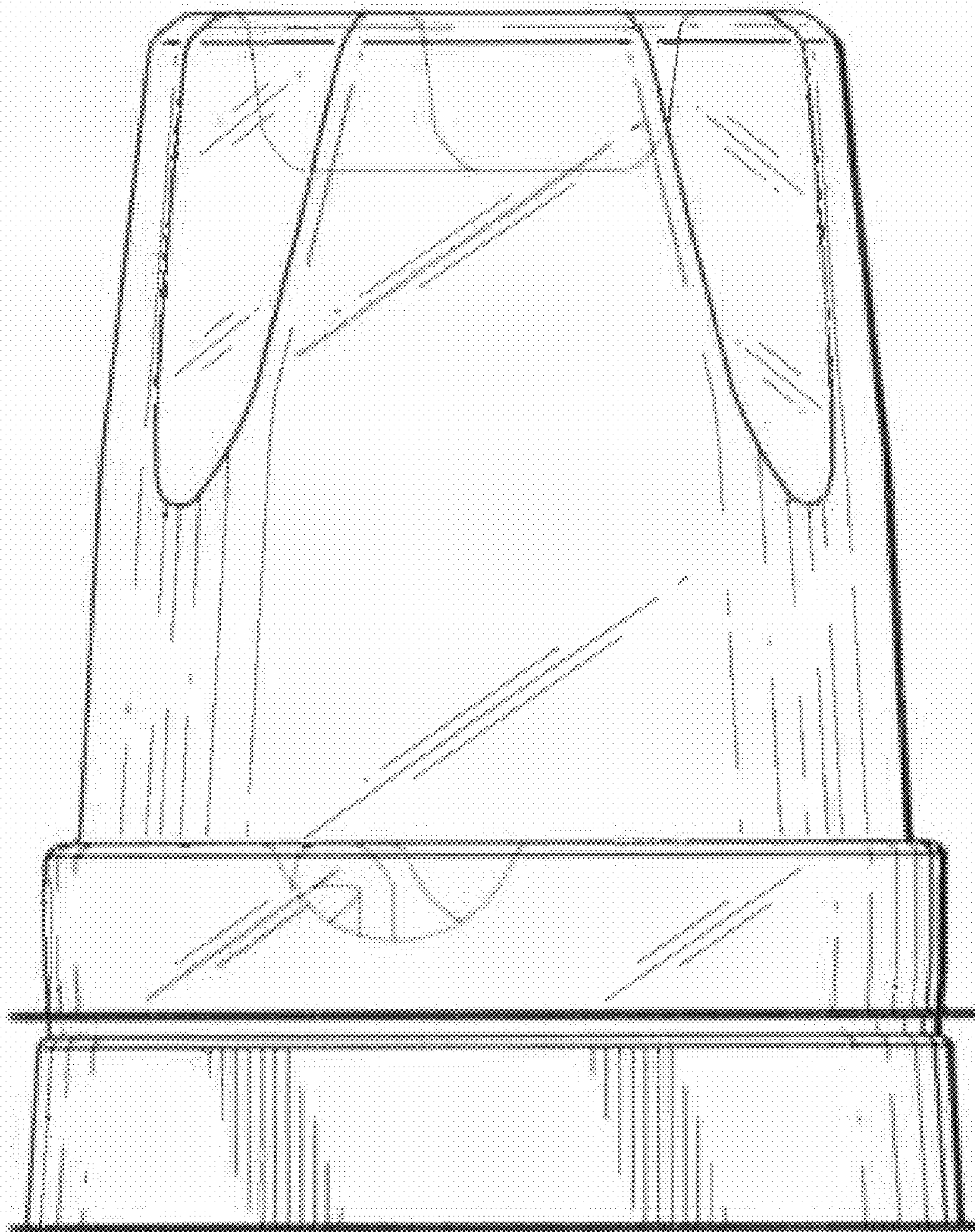
\* cited by examiner



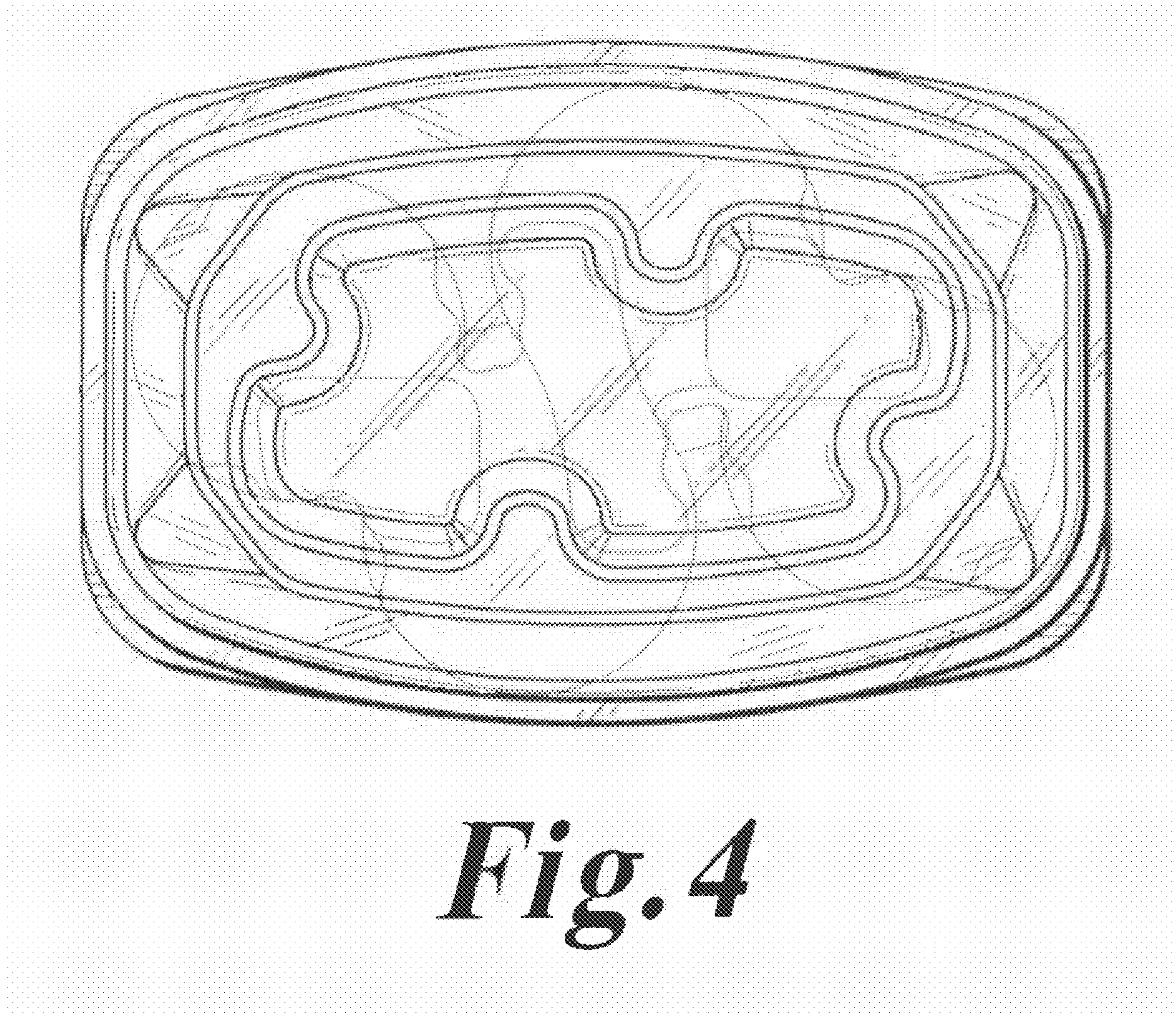
*Fig. 1*

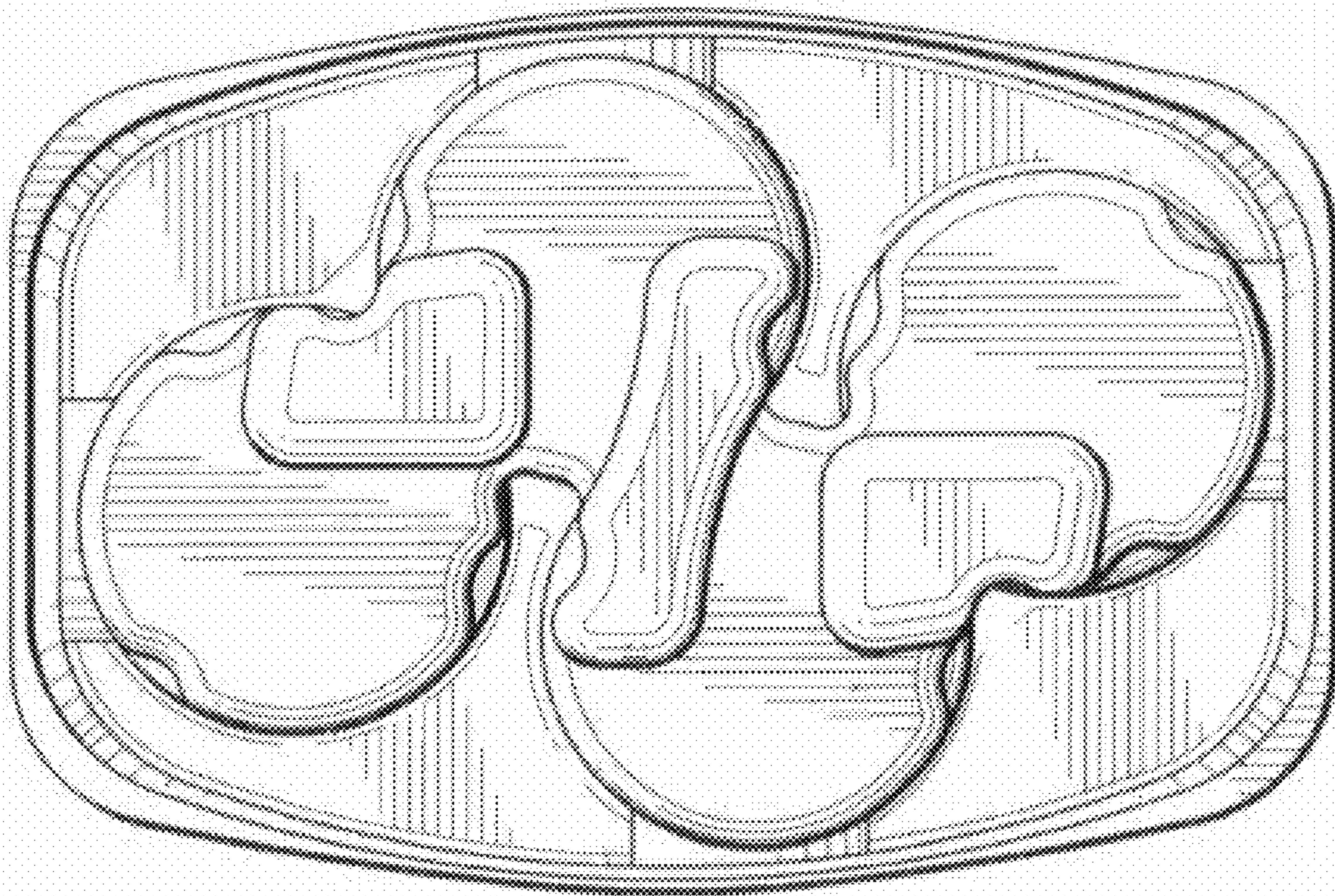


*Fig. 2*

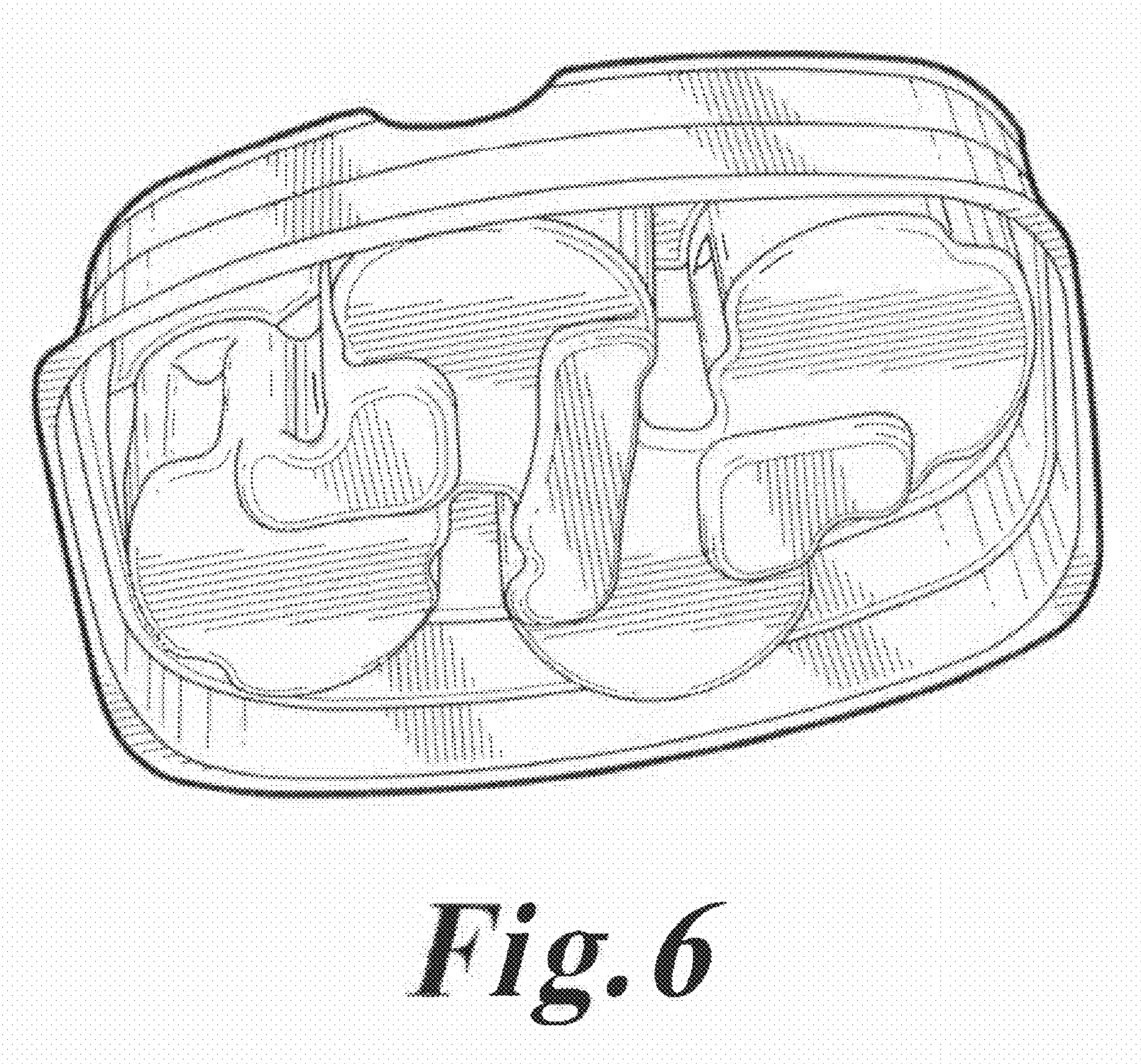


*Fig. 3*

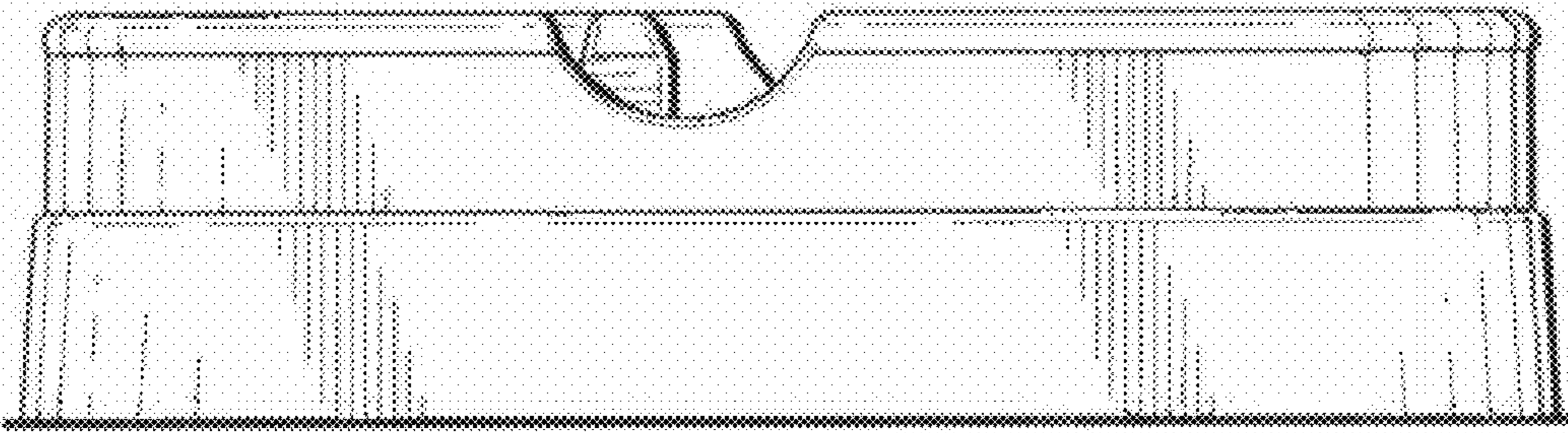




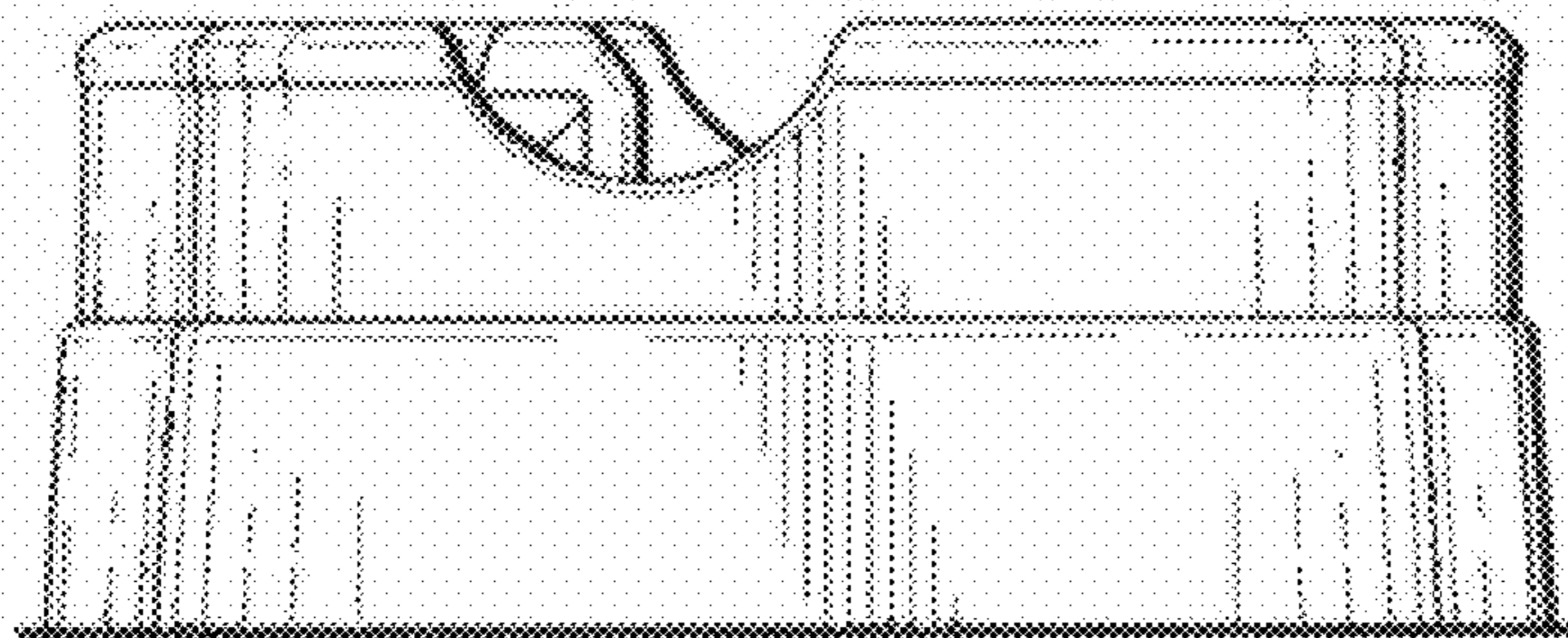
*Fig. 5*



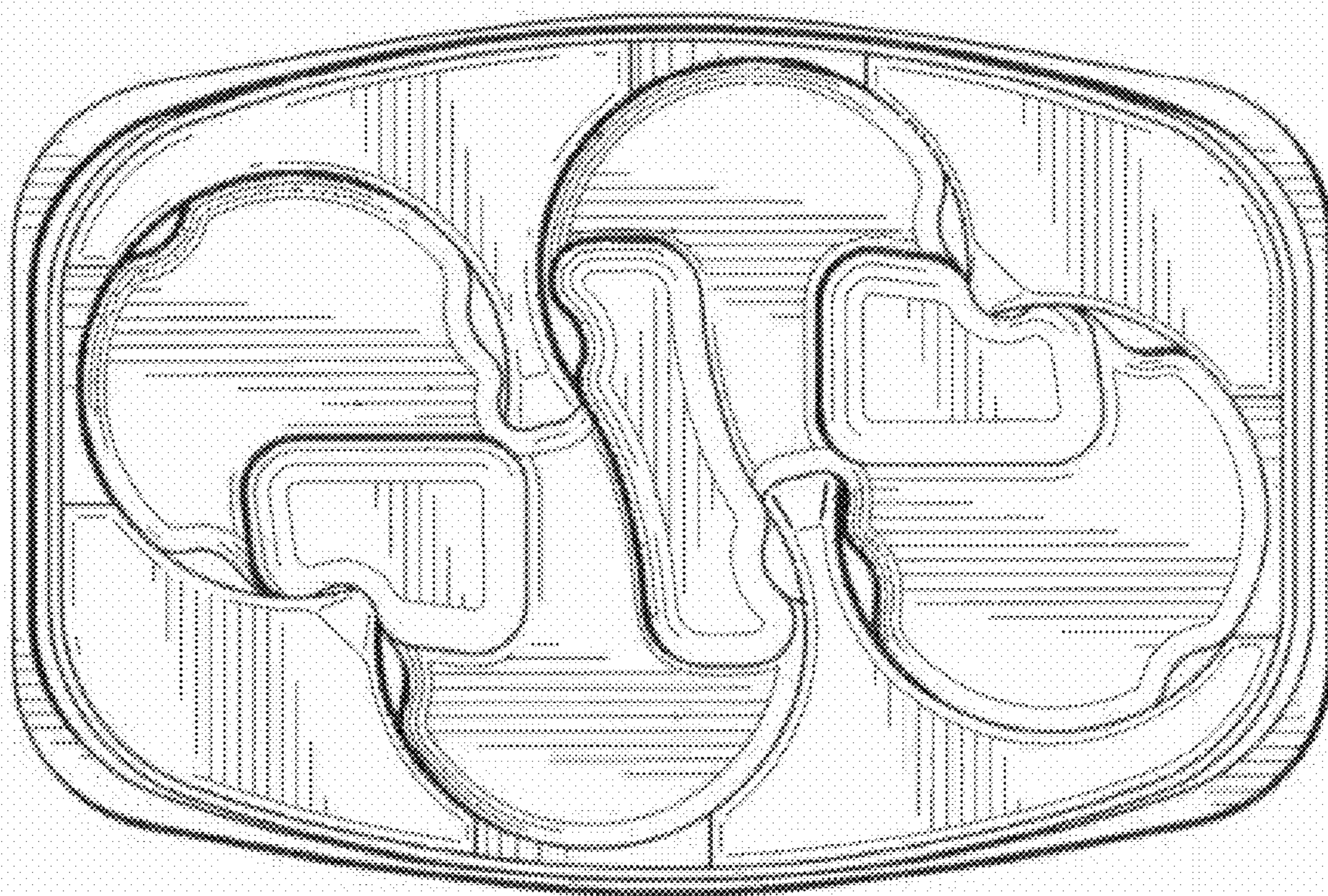




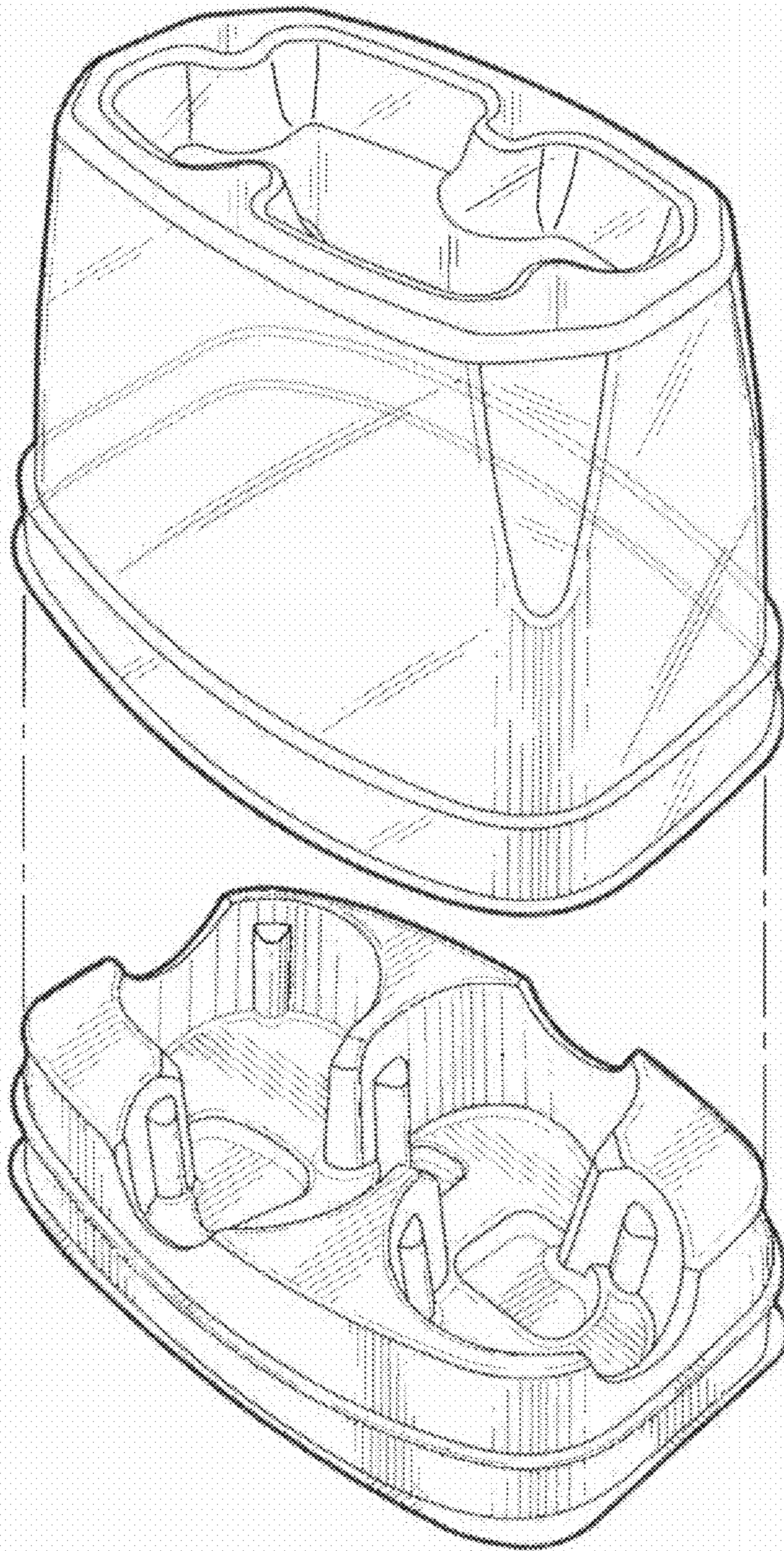
*Fig. 7*



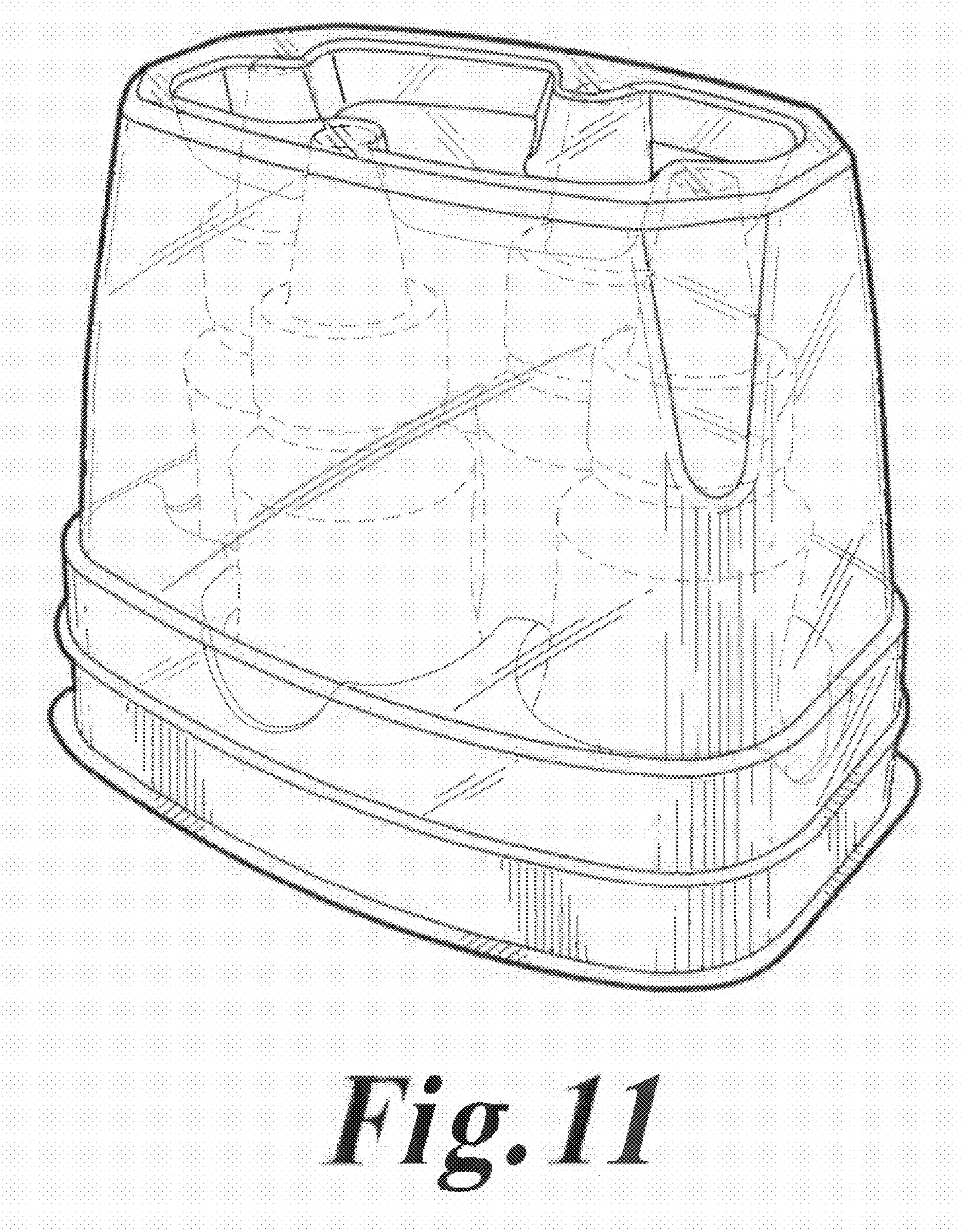
*Fig. 8*



*Fig. 9*



***Fig. 10***



*Fig. 11*