



US00D641257S

(12) **United States Design Patent**
Thiebaut et al.

(10) **Patent No.:** **US D641,257 S**

(45) **Date of Patent:** **** Jul. 12, 2011**

(54) **CONTAINER**

(75) Inventors: **Laure Thiebaut**, Clichy (FR); **Tim Roth**, Piscataway, NJ (US)

(73) Assignee: **Laboratoire Garnier & Cie**, Paris (FR)

(**) Term: **14 Years**

(21) Appl. No.: **29/329,892**

(22) Filed: **Dec. 23, 2008**

(51) **LOC (9) Cl.** **09-01**

(52) **U.S. Cl.** **D9/738**; D9/454; D9/518; D9/551;
D9/552

(58) **Field of Classification Search** D9/434,
D9/435, 454, 500, 503, 504, 516, 518, 529,
D9/549, 551, 552, 558, 572, 573, 574, 737-746;
D28/73, 76, 91; 215/379, 381-385; 220/660,
220/669-673, 675

See application file for complete search history.

(56) **References Cited**

U.S. PATENT DOCUMENTS

24,203	A	*	5/1859	Estes	172/198
24,991	A	*	8/1859	Estes	111/34
D26,315	S	*	11/1896	Miller	D9/504
1,353,281	A	*	9/1920	Sharp	132/294
1,443,565	A	*	1/1923	Dolan	229/125.05
1,454,242	A	*	5/1923	McFarland	229/125.16
1,735,154	A	*	11/1929	Brodrick	206/229
2,204,784	A	*	6/1940	Abrams	312/31.2
2,304,531	A	*	12/1942	Bloom et al.	220/522
2,307,648	A	*	1/1943	Tremolieres	206/525
3,048,316	A	*	8/1962	Roos et al.	229/5.5
4,163,010	A	*	7/1979	Garbutt	530/376
4,429,798	A	*	2/1984	Borows	215/12.1
D382,175	S	*	8/1997	Green	D7/538
D384,281	S	*	9/1997	Wong	D9/443
D405,003	S		2/1999	Dapsanse	
D408,590	S	*	4/1999	Litton	D28/82
6,047,710	A	*	4/2000	Irving et al.	132/293
D445,032	S		7/2001	Hammer	
D484,644	S	*	12/2003	Noh	D28/76

D485,017	S	*	1/2004	Noh	D28/76
D493,721	S	*	8/2004	Puigbo	D9/504
D495,956	S		9/2004	Martinez	
D504,542	S	*	4/2005	Noh	D28/76
D547,661	S	*	7/2007	Blasko et al.	D9/529
D615,868	S	*	5/2010	Rodriguez et al.	D9/529

OTHER PUBLICATIONS

Photographs of container for Garnier Nutritioniste™ Ultra-Lift™ anti-wrinkle firming night cream, Garnier LLC, New York, NY 10017, Jan. 2007.

Photographs of container for Avon Clinical Eye Lift, Avon Products, Inc., New York, NY 10020, 2005.

* cited by examiner

Primary Examiner — Stella Reid

Assistant Examiner — Elizabeth J Oswecki

(74) *Attorney, Agent, or Firm* — Edell, Shapiro & Finnan, LLC

(57) **CLAIM**

The ornamental design for a container, as shown and described.

DESCRIPTION

FIG. 1 is a perspective view of the container.

FIG. 2 is a front view of the container of FIG. 1, the rear view of the container being identical.

FIG. 3 is a top view of the container of FIG. 1.

FIG. 4 is a bottom view of the container of FIG. 1.

FIG. 5 is a perspective view of the container of FIG. 1 with the lid removed.

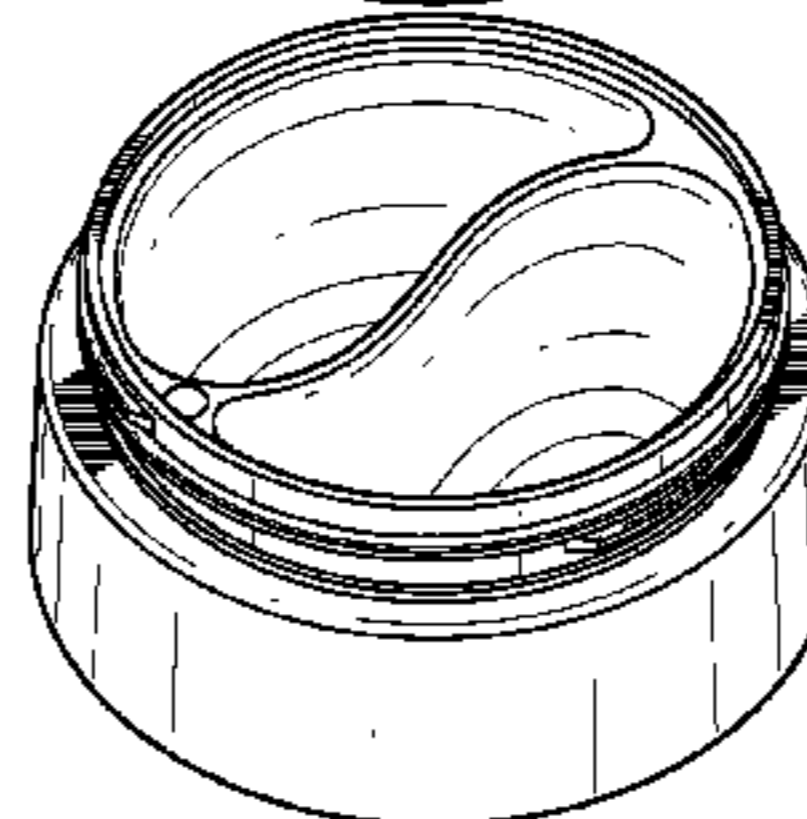
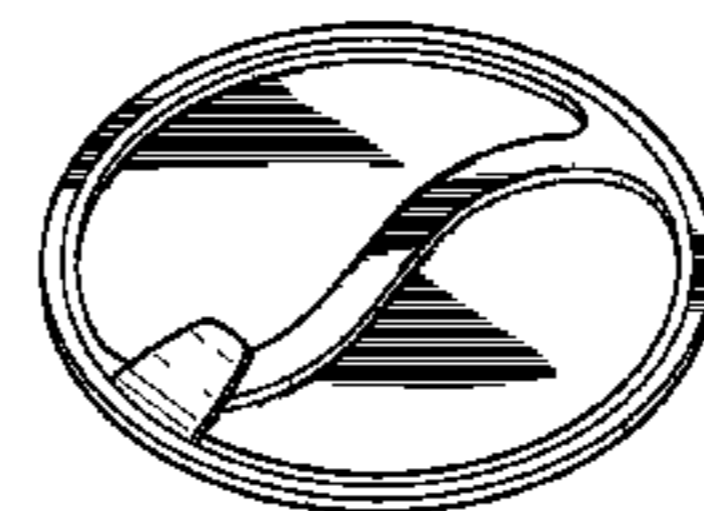
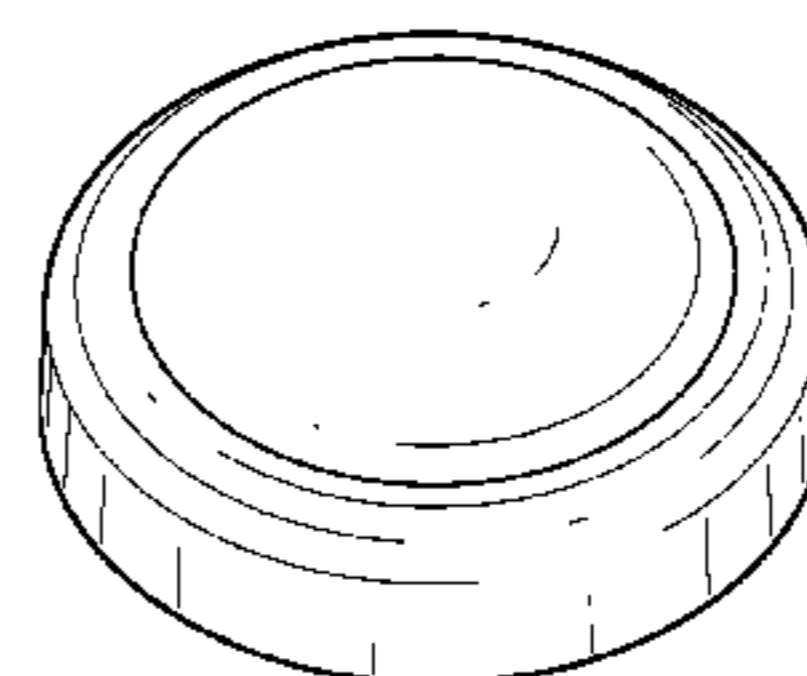
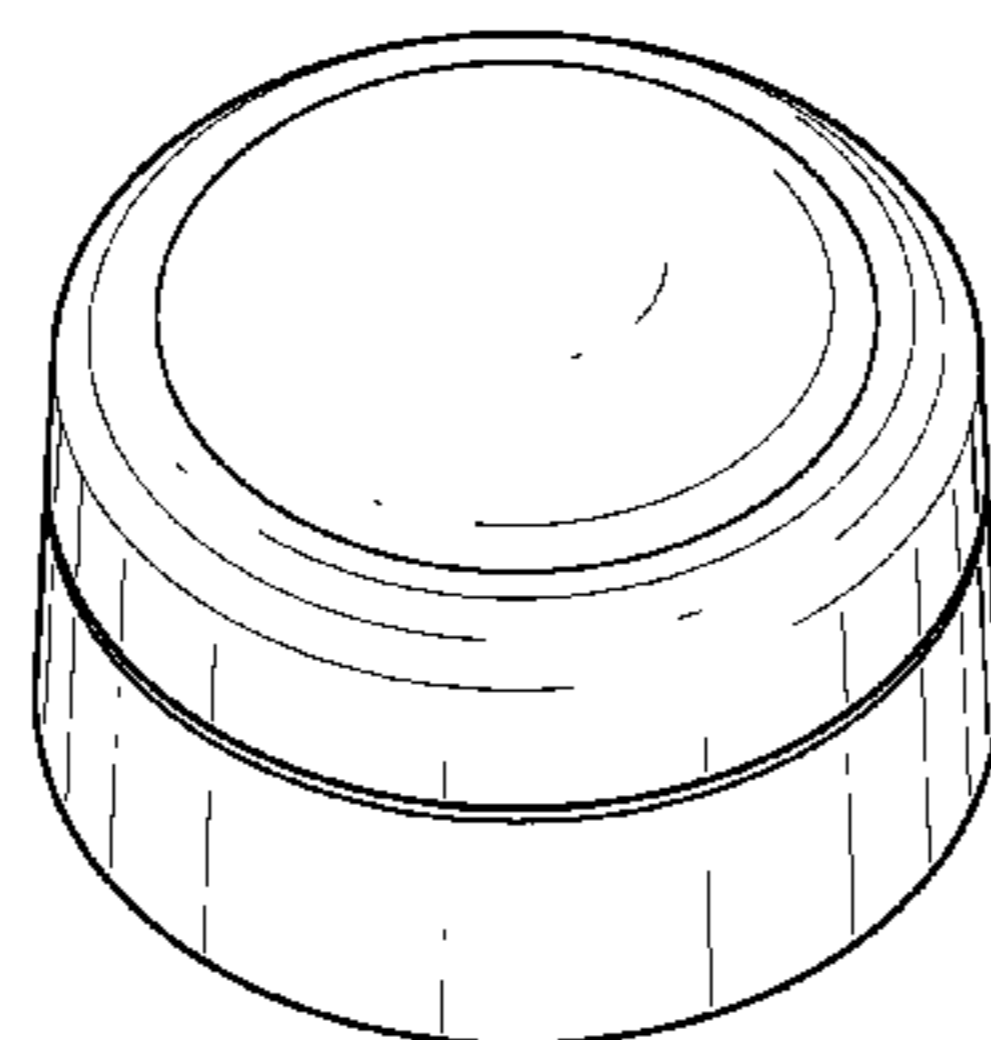
FIG. 6 is a front view of the container of FIG. 1 with the lid removed.

FIG. 7 is a top view of the container of FIG. 1 with the lid removed.

FIG. 8 is an exploded perspective view of the container of FIG. 1; and,

FIG. 9 is a top view of the container of FIG. 1 with the lid removed and the inside cover removed.

1 Claim, 9 Drawing Sheets



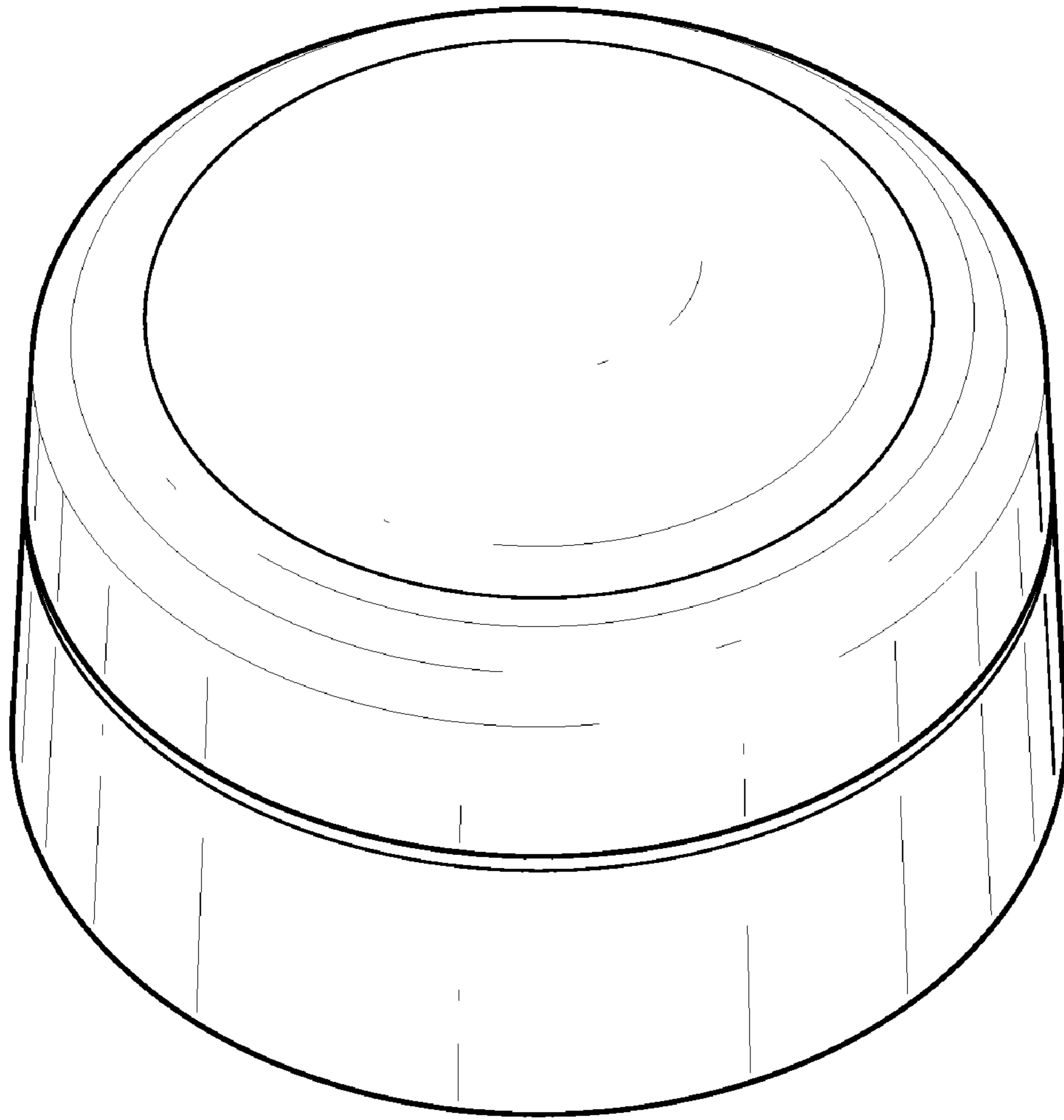


FIG. 1

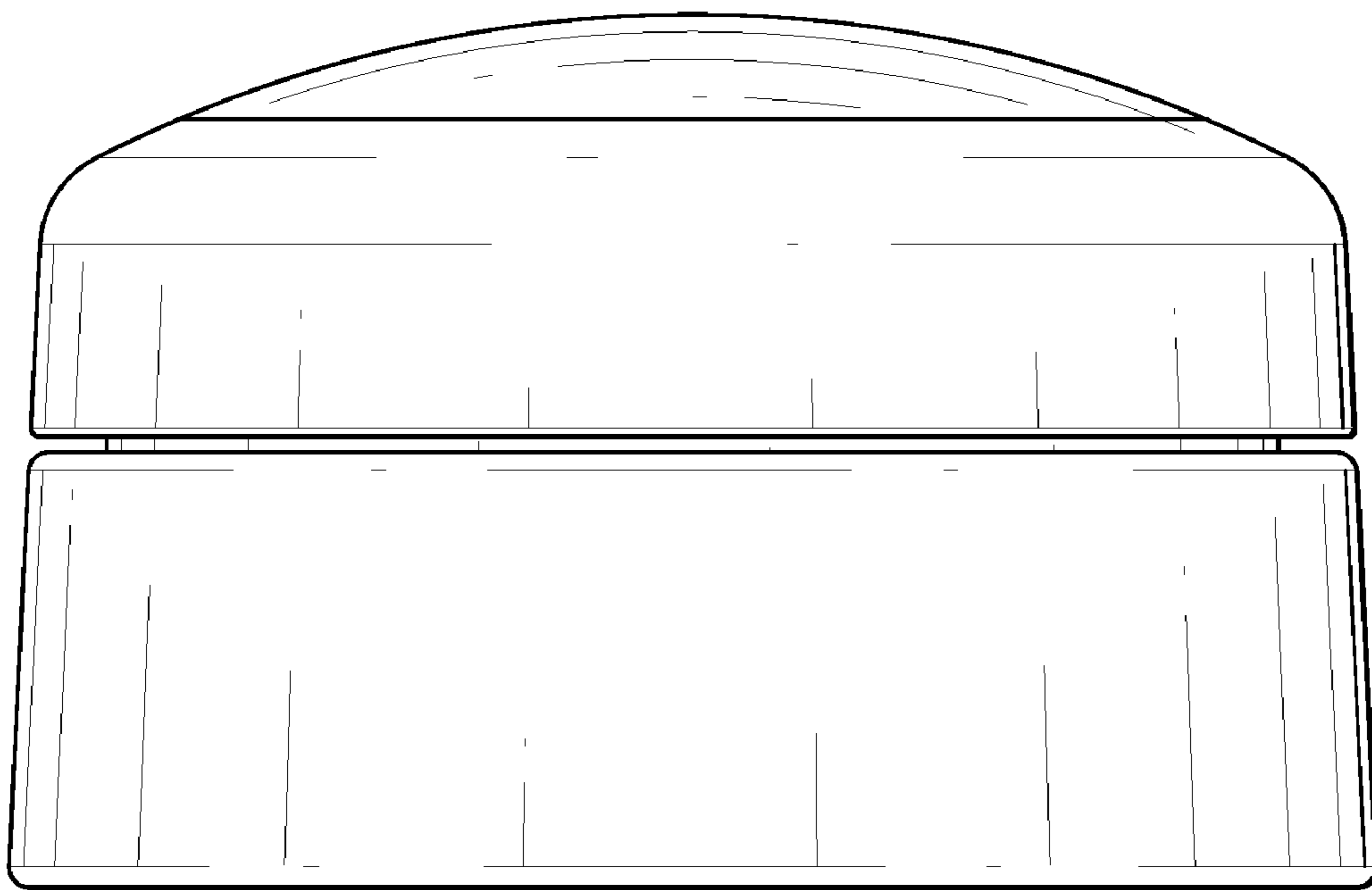


FIG. 2

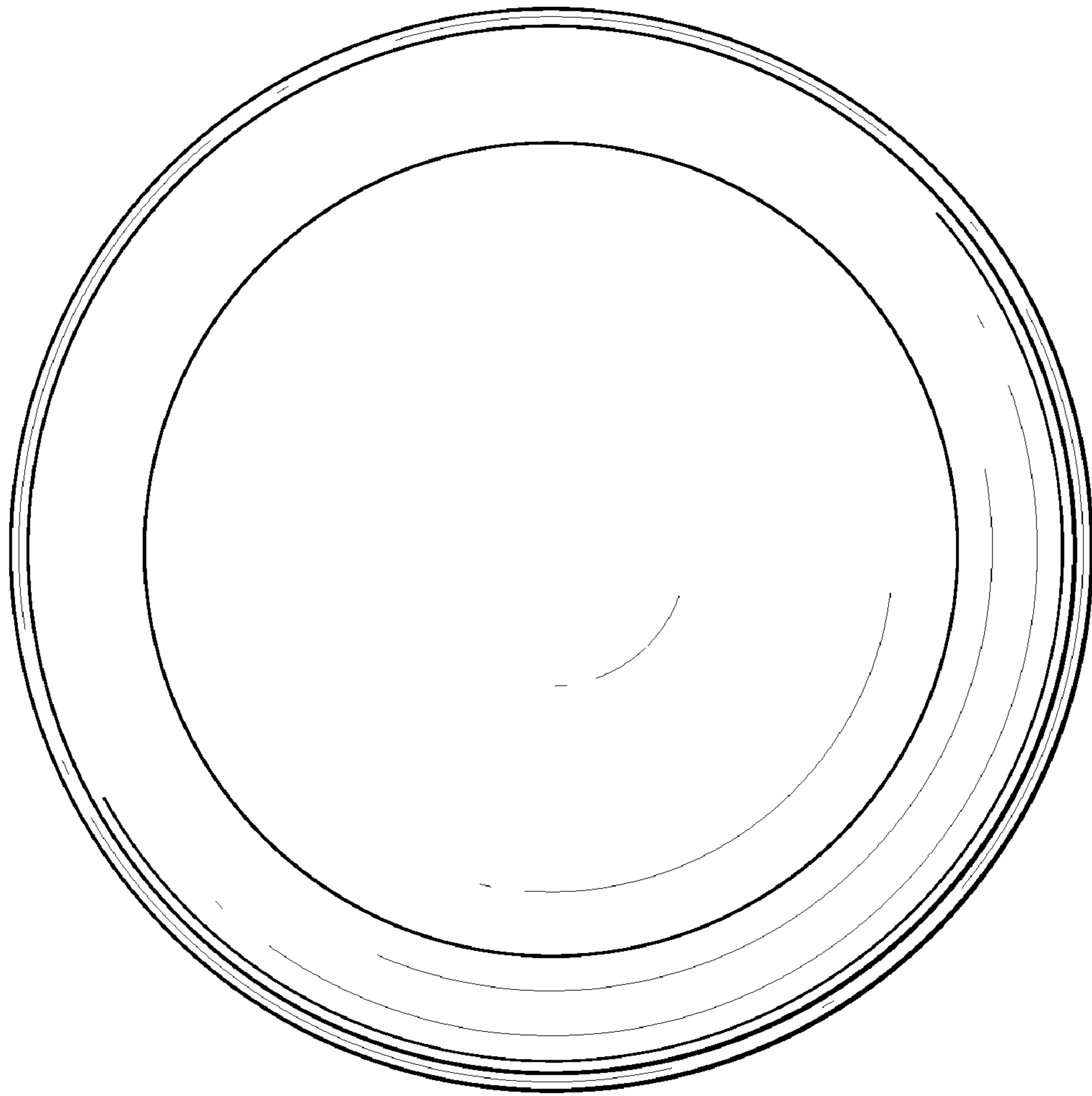


FIG. 3

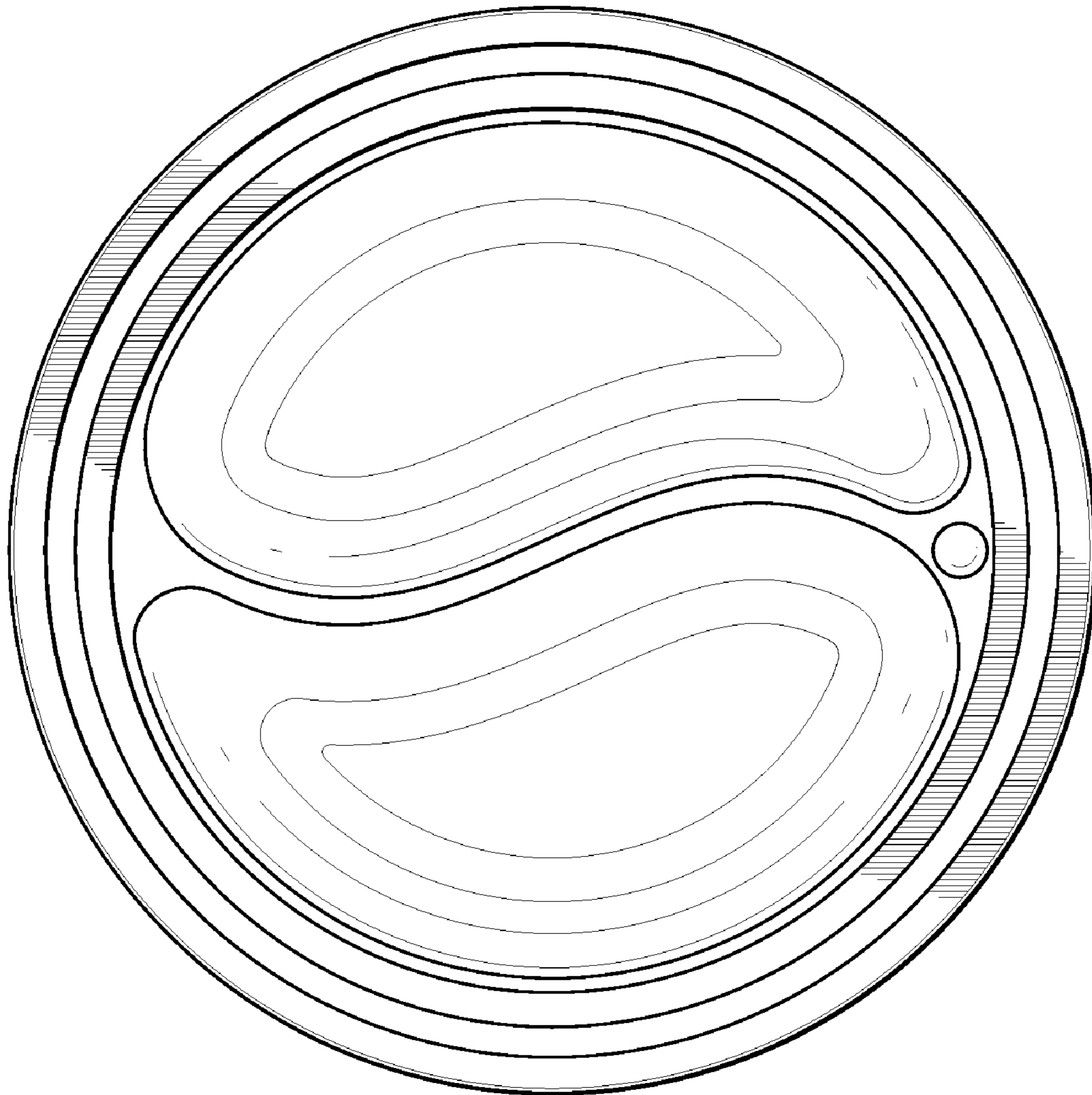


FIG.4

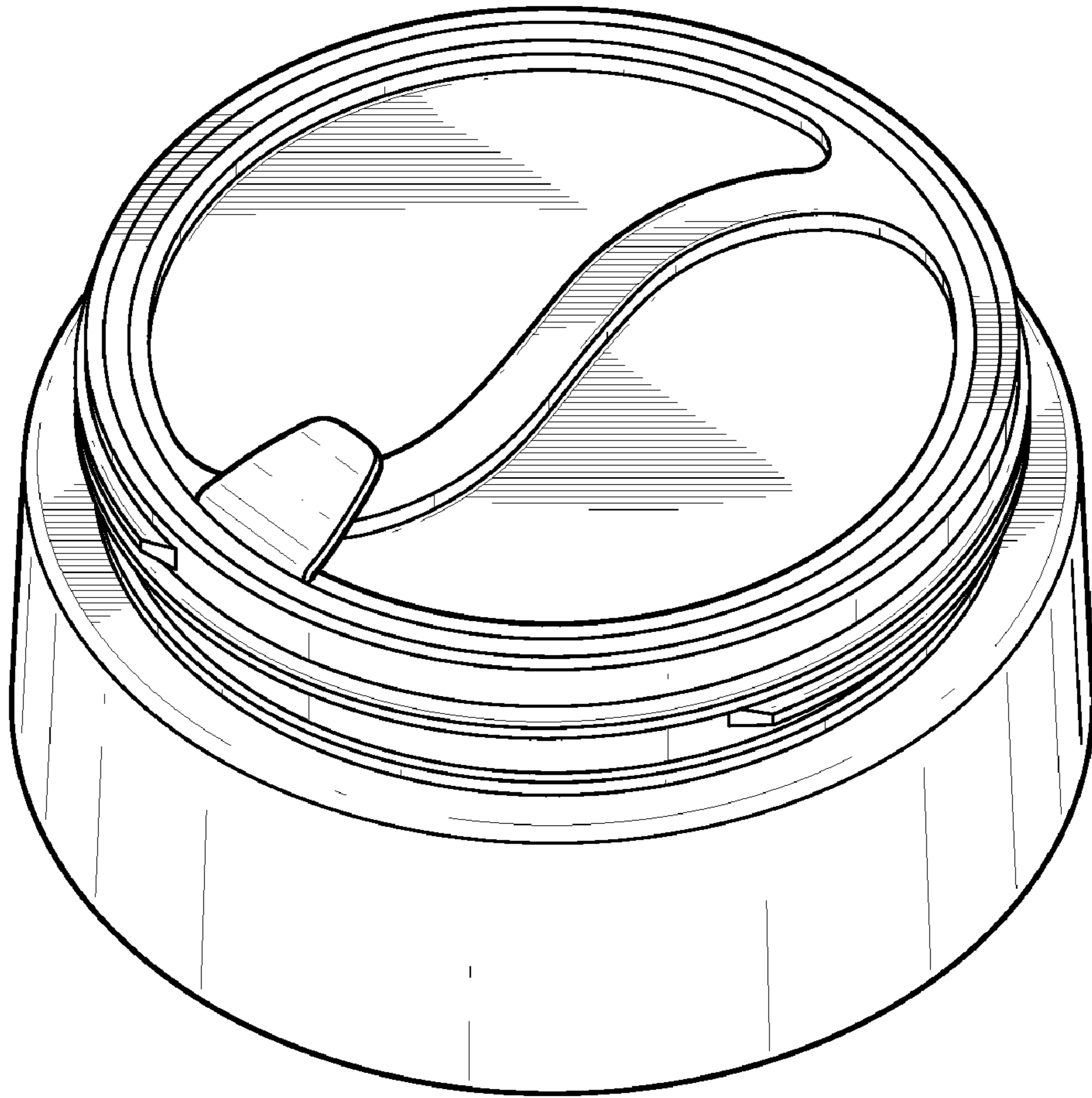


FIG. 5

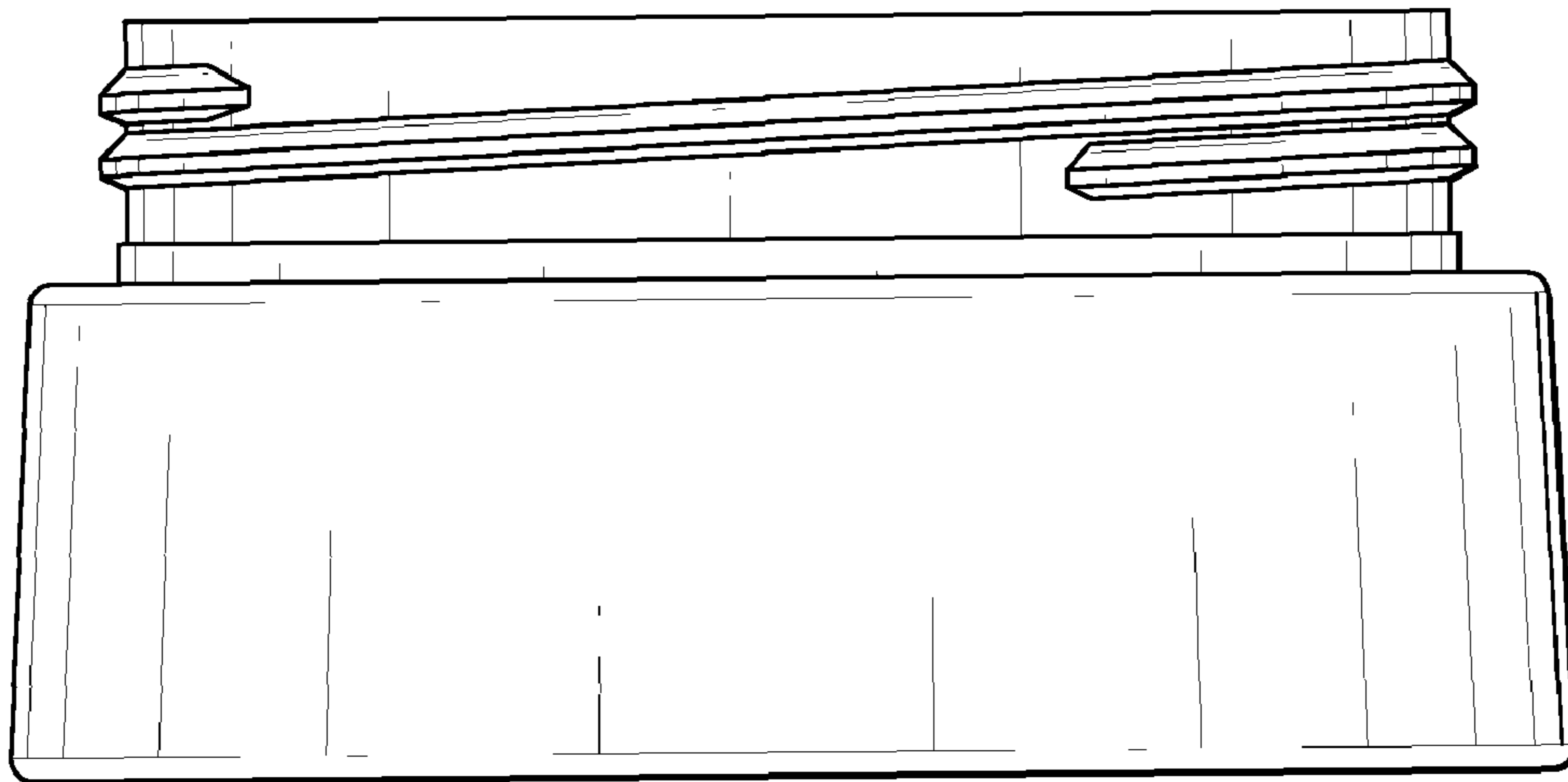


FIG.6

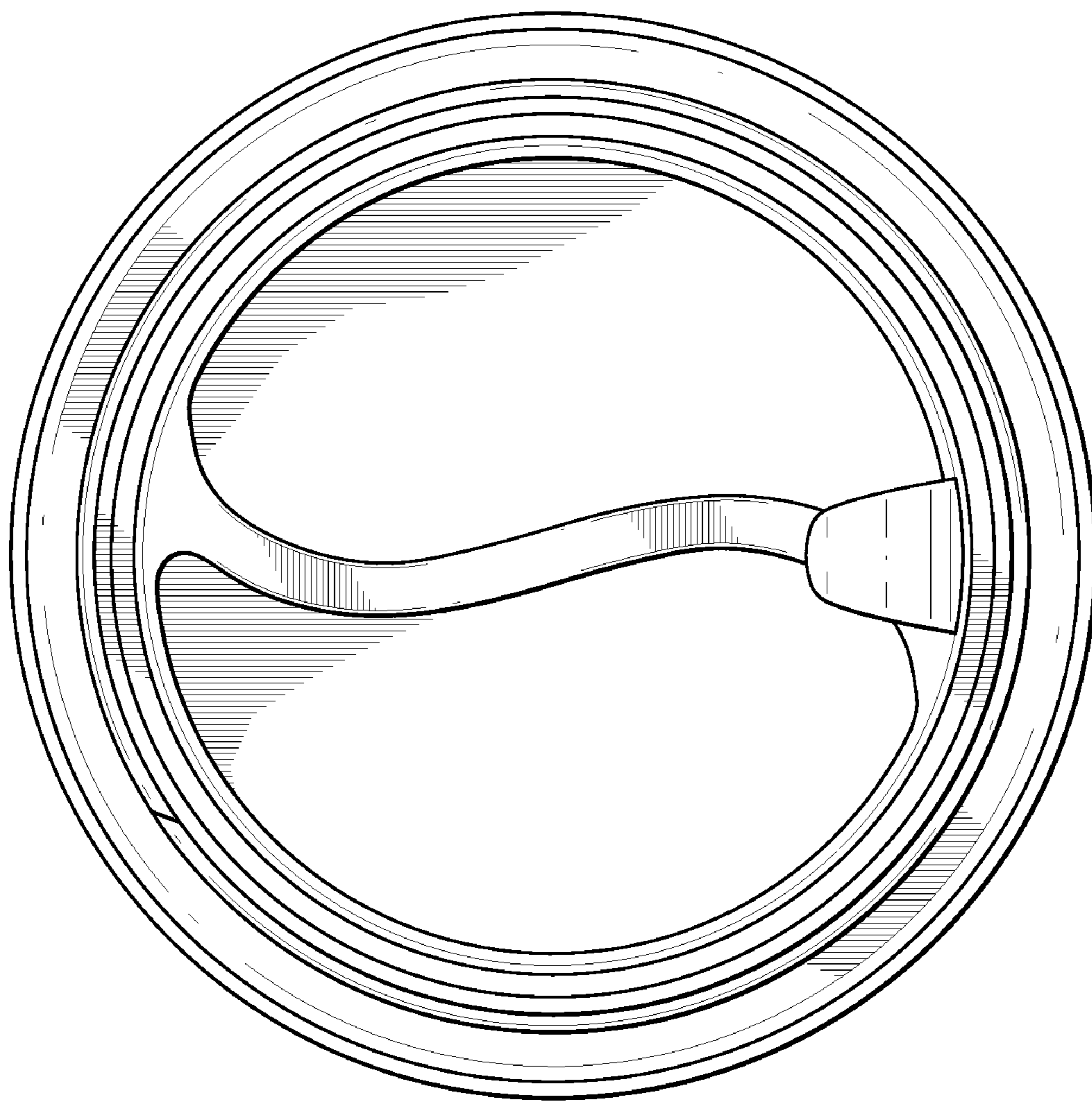


FIG. 7

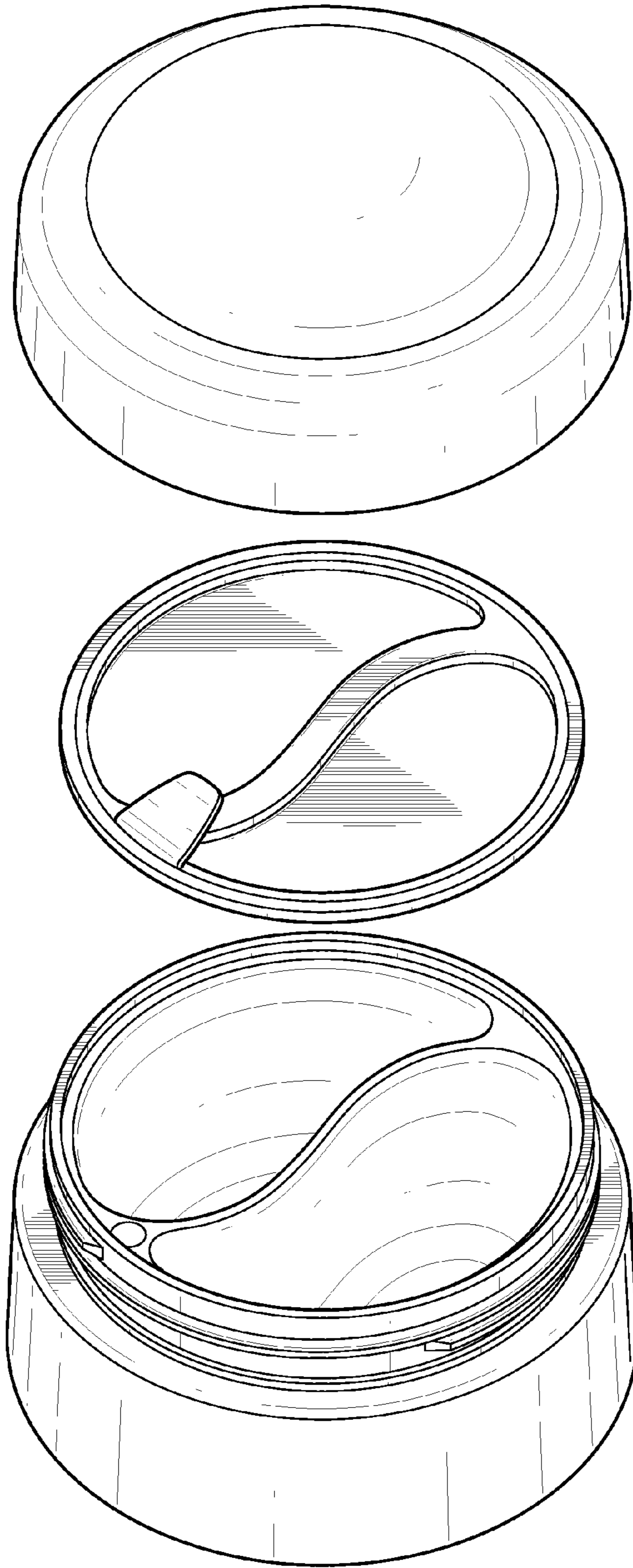


FIG. 8

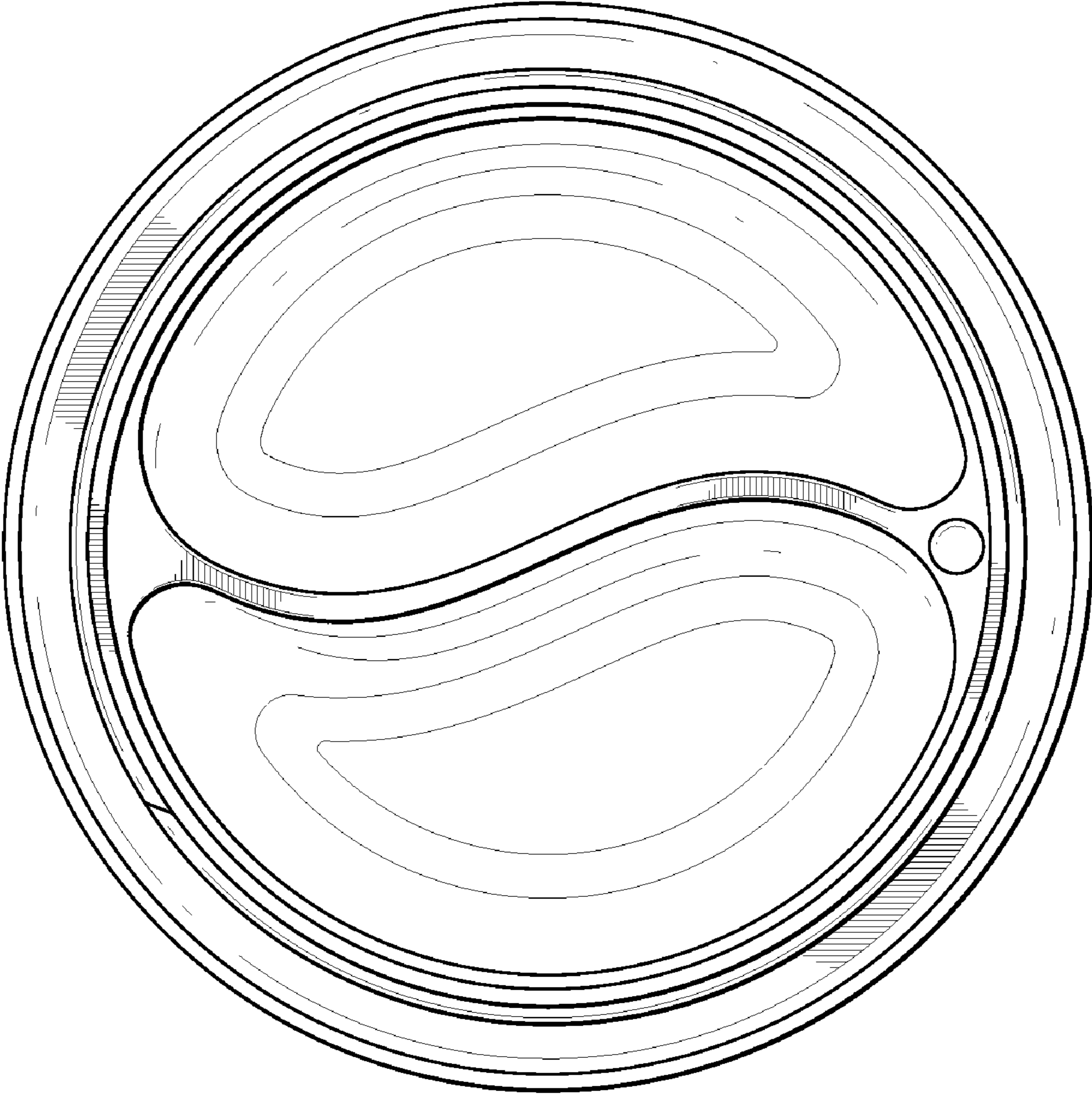


FIG. 9