



US00D641256S

(12) **United States Design Patent**
Fisher

(10) **Patent No.:** **US D641,256 S**
(45) **Date of Patent:** **** Jul. 12, 2011**

- (54) **FOOD CONTAINER**
- (75) Inventor: **Thad J. Fisher**, DeForest, WI (US)
- (73) Assignee: **Kraft Foods Global Brands LLC**,
Northfield, IL (US)
- (**) Term: **14 Years**
- (21) Appl. No.: **29/385,277**
- (22) Filed: **Feb. 11, 2011**

- 4,807,776 A 2/1989 Cortopassi
- D305,409 S * 1/1990 Michaud et al. D9/759
- 5,042,652 A 8/1991 Grindrod
- 5,119,940 A 6/1992 Grindrod
- D335,445 S * 5/1993 Detert et al. D9/761
- D335,821 S * 5/1993 Detert et al. D9/761
- D336,242 S * 6/1993 Detert et al. D9/761
- D383,943 S 9/1997 Boley
- 5,747,084 A 5/1998 Cochran et al.
- 5,922,376 A 7/1999 Privert
- 6,048,558 A 4/2000 Feldmeier et al.
- RE36,867 E 9/2000 Rozzano
- D432,409 S 10/2000 Feldmeier
- D445,311 S 7/2001 Emonet et al.
- D451,769 S 12/2001 Stanos et al.

(Continued)

Related U.S. Application Data

- (62) Division of application No. 29/338,107, filed on Jun. 4, 2009, now Pat. No. Des. 634,619.
- (51) **LOC (9) Cl.** **09-03**
- (52) **U.S. Cl.** **D9/721**; D9/425; D9/761
- (58) **Field of Classification Search** D9/424,
D9/425, 430-435, 715, 721, 737, 760, 761;
D7/354, 357, 396.1, 550.1, 553.2, 555, 629,
D7/701; 229/87.08, 100, 101, 101.2, 101.3,
229/106, 108, 108.1, 116.1, 116.3, 116.5,
229/118, 121, 122, 193, 195, 197, 201, 213,
229/221, 222, 227, 400-406, 906.1, 922,
229/932, 939, 942; 220/23.2-23.8, 513,
220/516, 519, 556, 575; 206/123, 278, 297,
206/299, 457, 770, 737, 499, 505, 521.15,
206/549, 557, 561, 589, 806, 821; D3/302,
D3/314; 426/128, 94, 120, 138, 76, 496,
426/549

See application file for complete search history.

(56) **References Cited**

U.S. PATENT DOCUMENTS

- D20,487 S 1/1891 McBride
- 3,868,017 A 2/1975 Carveth
- 4,501,363 A 2/1985 Isbey, Jr.
- D280,290 S 8/1985 Bakus
- D293,767 S 1/1988 Powers

FOREIGN PATENT DOCUMENTS

- EP 0500318 A1 8/1992

(Continued)

Primary Examiner — Thomas Johannes

(74) *Attorney, Agent, or Firm* — Fitch, Even, Tabin & Flannery

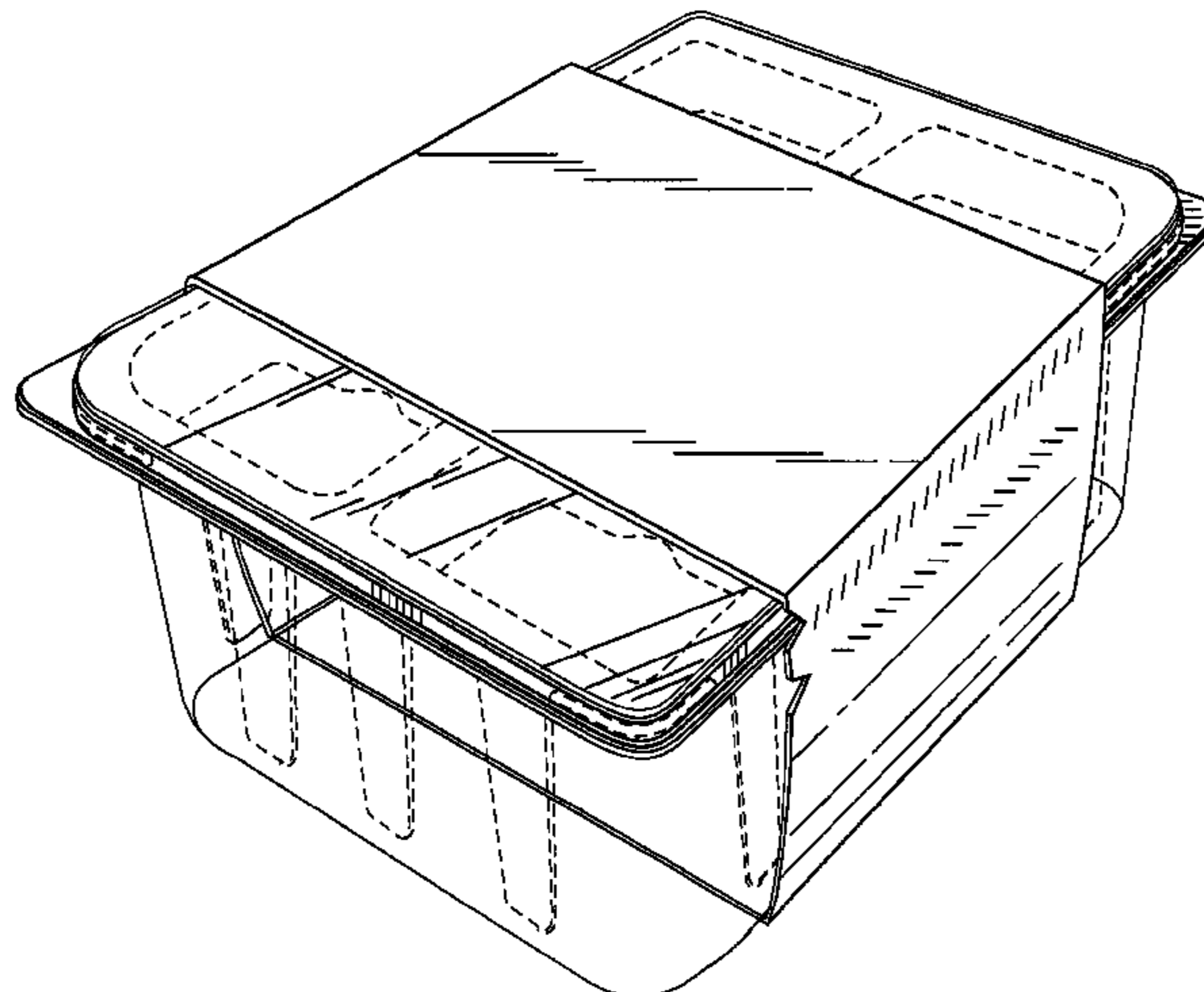
(57) **CLAIM**

I claim the ornamental design for food container, as shown and described.

DESCRIPTION

FIG. 1 is a perspective view of a food container showing my new design;
 FIG. 2 is a top plan view thereof;
 FIG. 3 is a bottom plan view thereof;
 FIG. 4 is right side elevation view thereof;
 FIG. 5 is a left side elevation view thereof;
 FIG. 6 is a front end elevation view thereof; and,
 FIG. 7 is a rear end elevation view thereof.
 The broken line portion of the drawings is included to show unclaimed subject matter only and forms no part of the claimed design.

1 Claim, 4 Drawing Sheets



US D641,256 S

Page 2

U.S. PATENT DOCUMENTS

6,394,337 B1 * 5/2002 Ross et al. 229/103.2
D463,977 S 10/2002 Castellanos et al.
D471,766 S 3/2003 Bradley et al.
6,612,482 B2 * 9/2003 Ross 229/103.2
D492,593 S 7/2004 Dutton
6,883,692 B2 * 4/2005 Harden et al. 224/275
6,919,097 B2 7/2005 Lamp et al.
7,041,326 B2 5/2006 Bradley et al.
7,083,818 B2 8/2006 Pratte
D555,475 S 11/2007 Enriquez et al.

D577,295 S * 9/2008 Miller et al. D9/711
D582,791 S * 12/2008 Elmerhaus D9/721
2006/0151339 A1 7/2006 Bradley et al.
2007/0092610 A1 4/2007 Mize, Jr.
2010/0307116 A1 * 12/2010 Fisher 53/492

FOREIGN PATENT DOCUMENTS

FR 2553386 4/1985
JP 10-245054 9/1998

* cited by examiner

FIG. 1

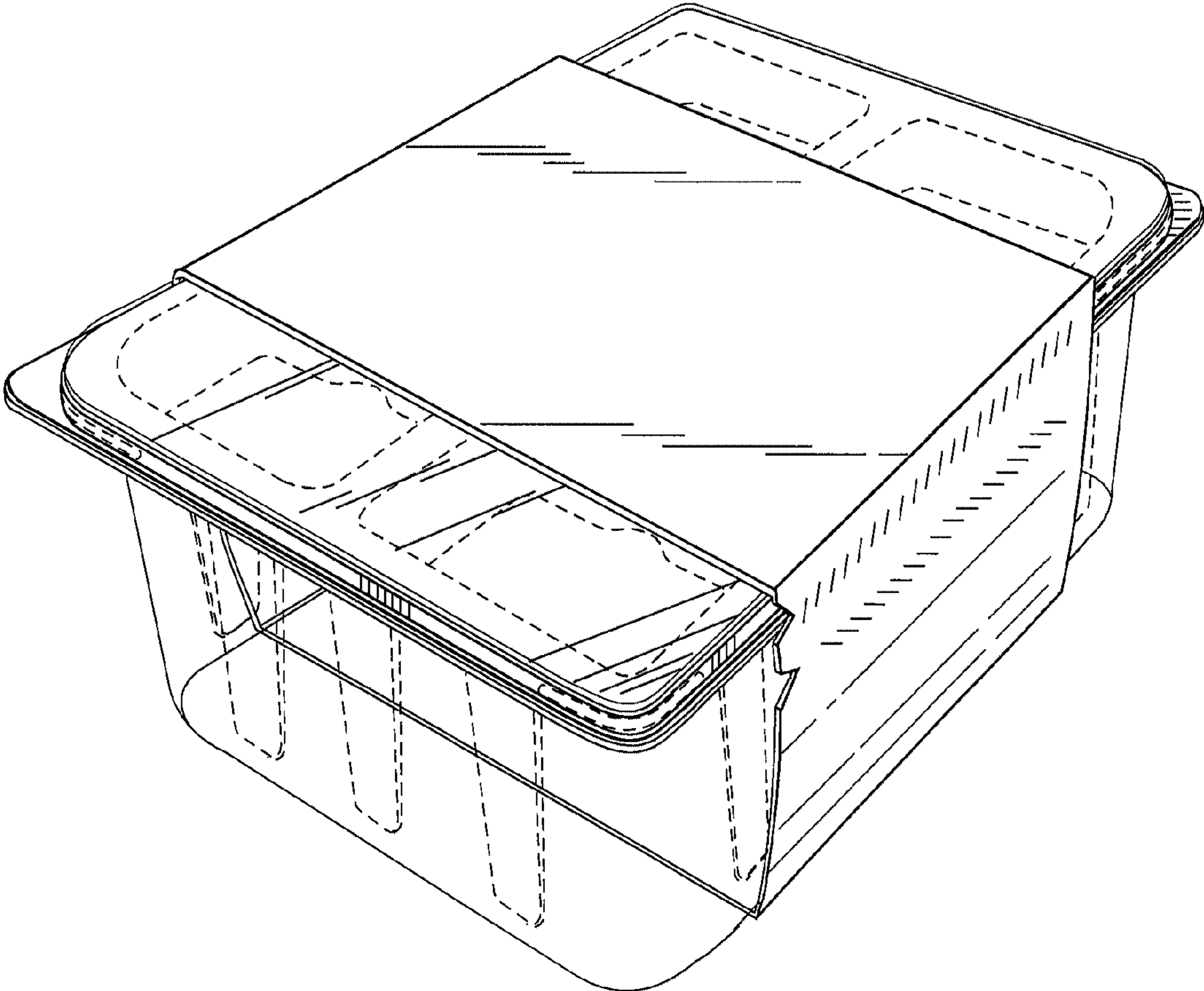


FIG. 2

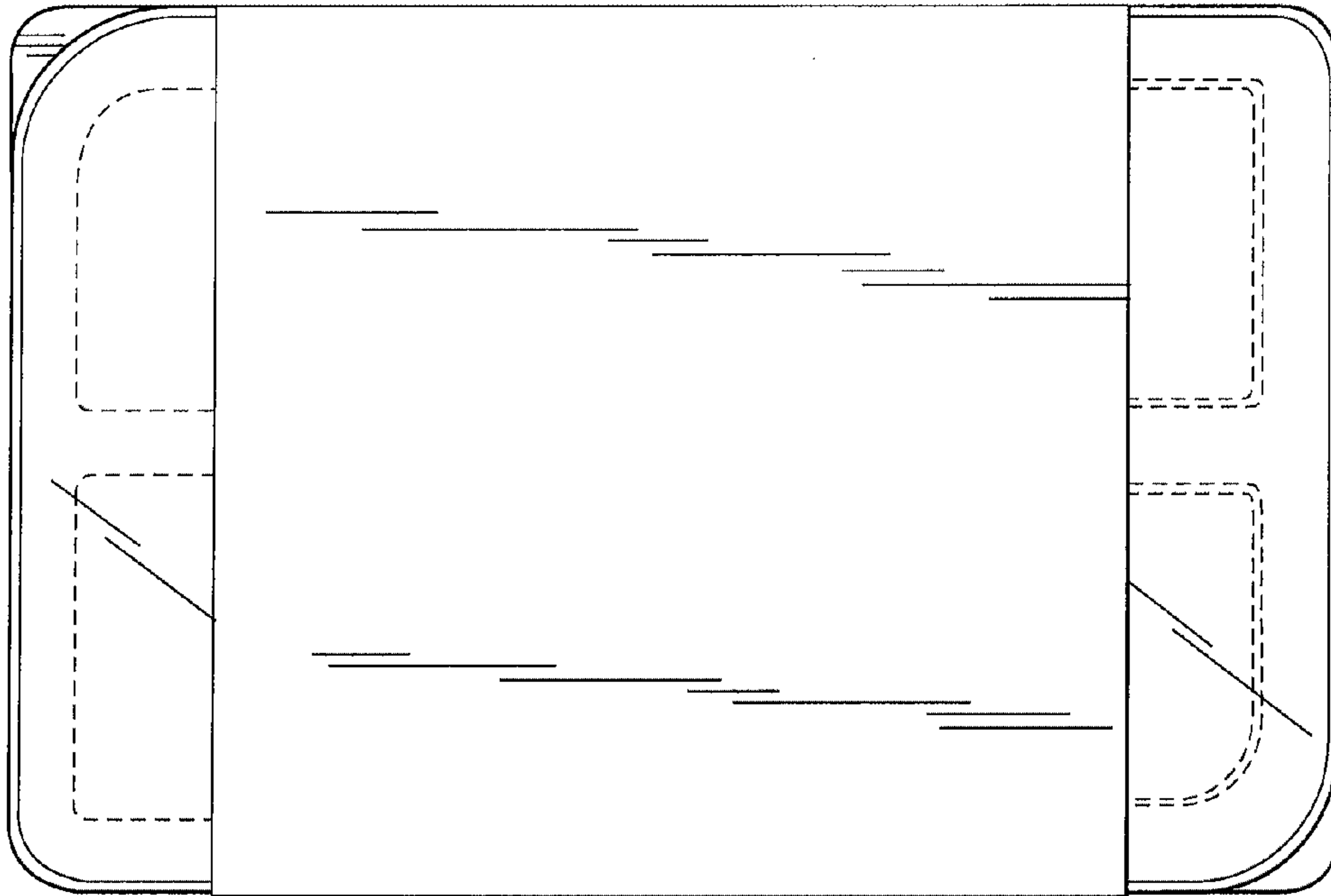


FIG. 3

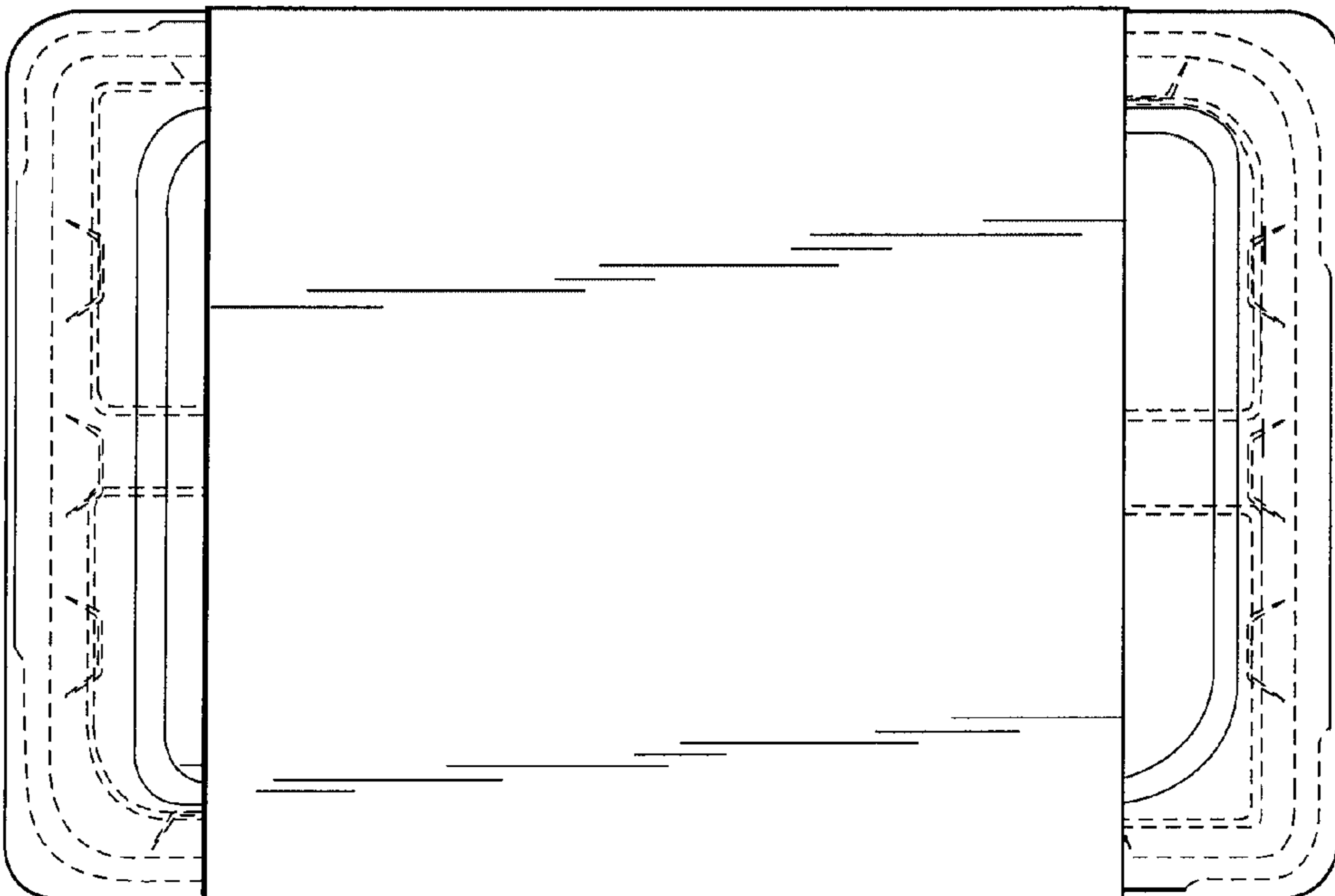


FIG. 4

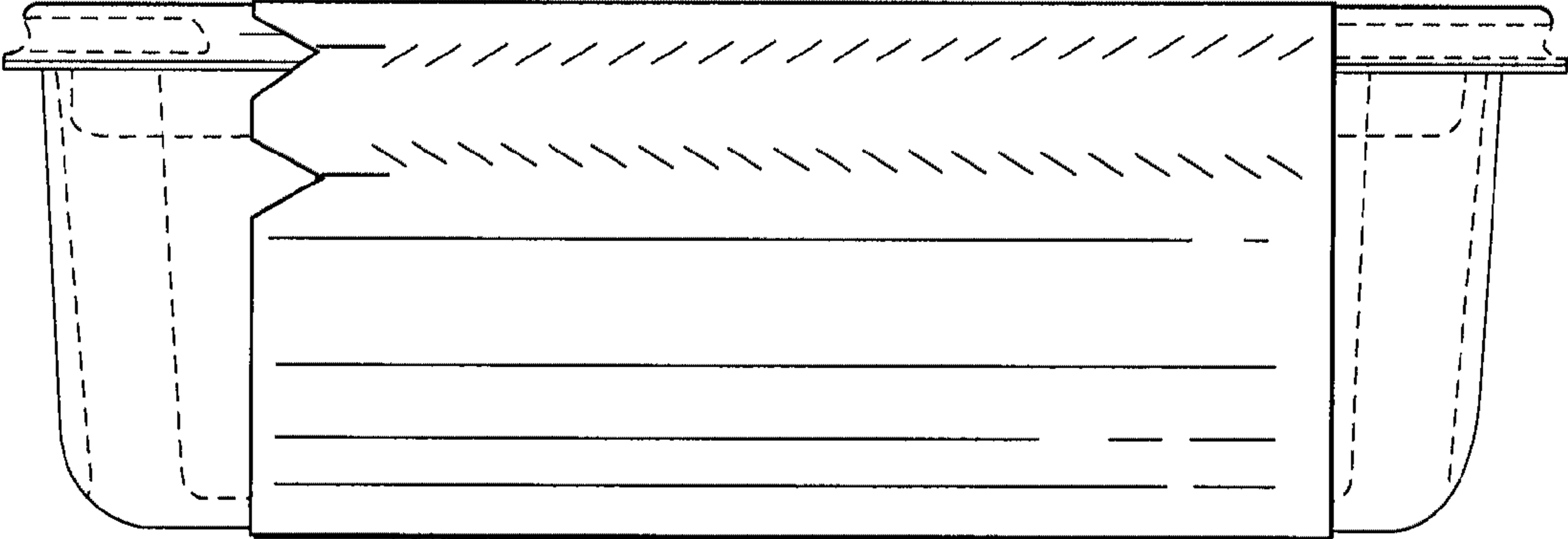


FIG. 5

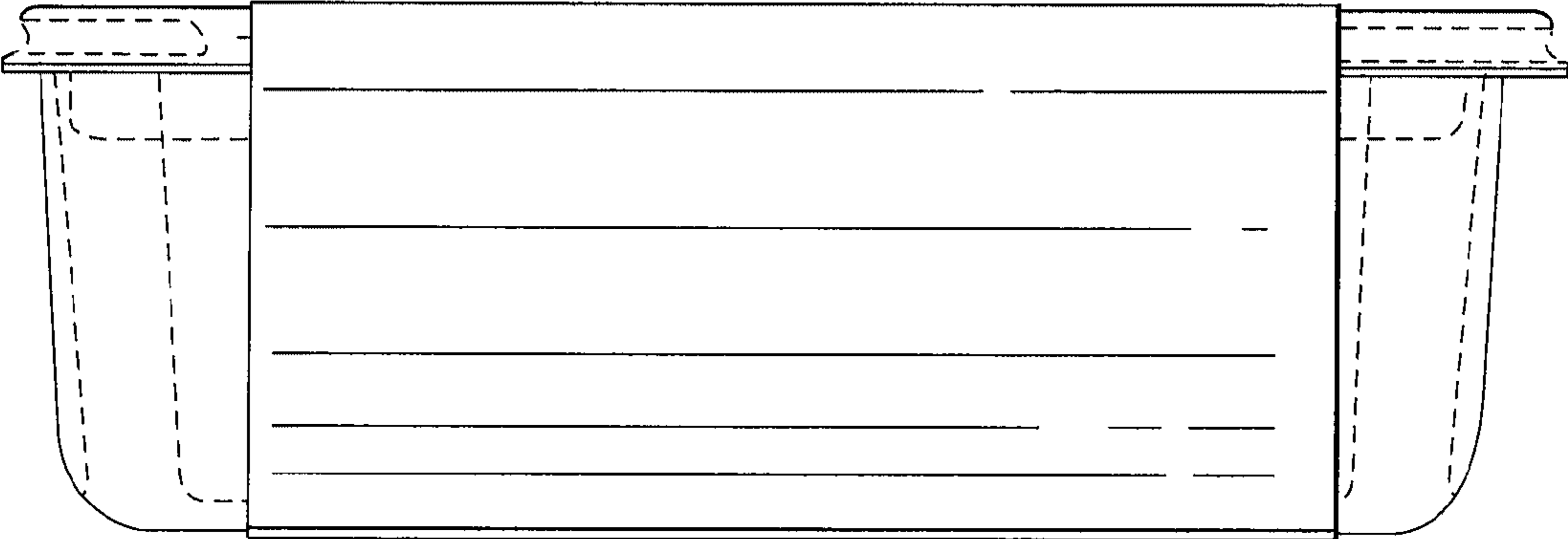


FIG. 6

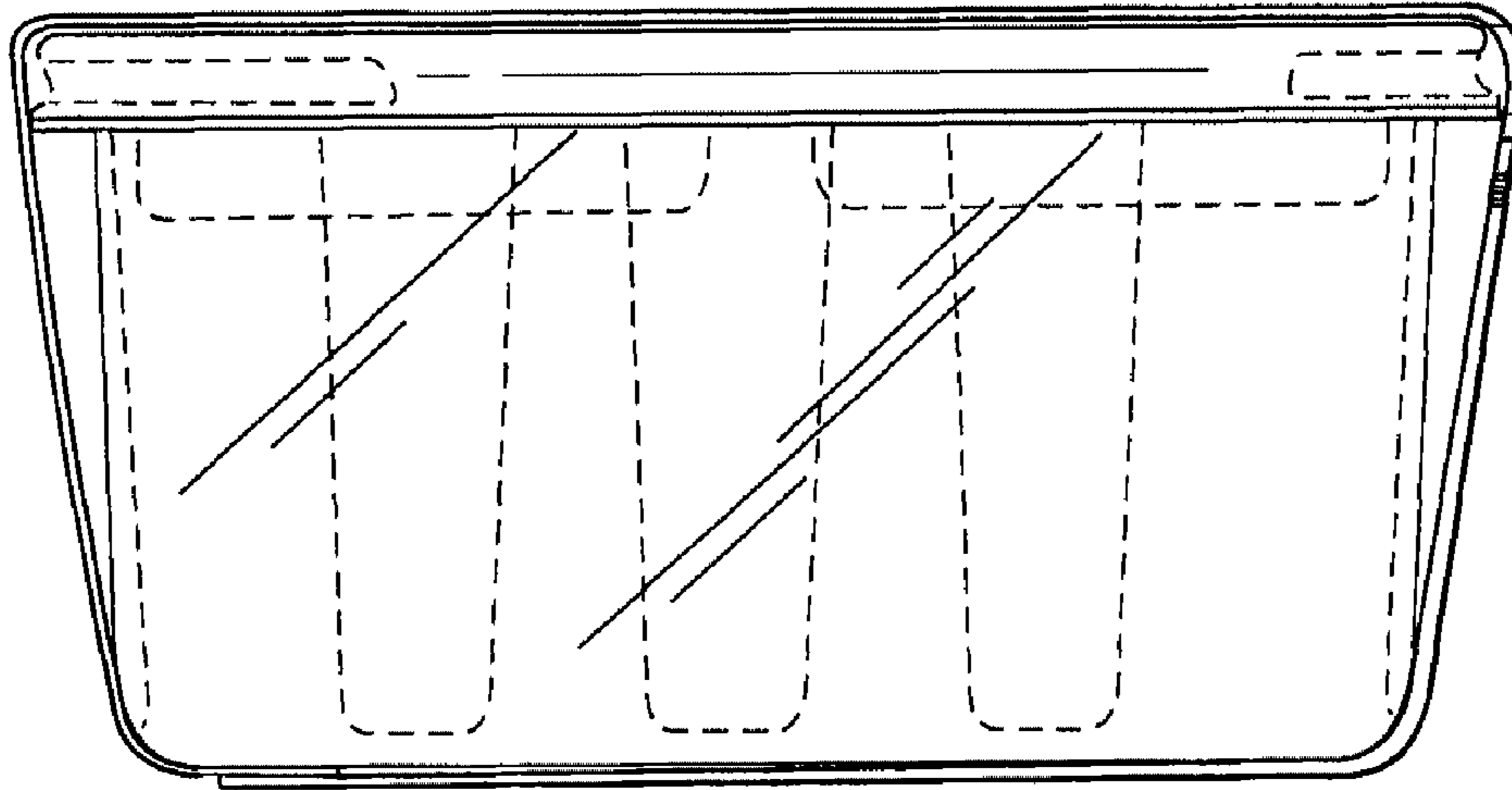


FIG. 7

