



US00D641251S

(12) **United States Design Patent**  
**Pearson et al.**

(10) **Patent No.:** **US D641,251 S**  
(45) **Date of Patent:** **\*\* Jul. 12, 2011**

(54) **COMBINED TRIGGER SPRAY AND BOTTLE**

(75) Inventors: **Mark Pearson**, Slough (GB); **Chris Witty**, Hull (GB)

(73) Assignee: **Reckitt & Colman (Overseas) Limited**, Slough, Berkshire (GB)

(\*\*) Term: **14 Years**

(21) Appl. No.: **29/354,882**

(22) Filed: **Jan. 29, 2010**

(30) **Foreign Application Priority Data**

Aug. 7, 2009 (EM) ..... 001157853-0009

(51) **LOC (9) Cl.** ..... **09-01**

(52) **U.S. Cl.** ..... **D9/685**

(58) **Field of Classification Search** ..... D9/682-694,  
D9/500-505, 516-575, 434-436, 447-450;  
D23/213, 223-227; D29/126; 222/129,  
222/135, 153.01, 153.03, 153.04, 153.09,  
222/153.11-153.14, 182, 183, 631, 635,  
222/209-213, 215, 321.7-321.9, 372, 373,  
222/378, 379, 383.1, 384-386, 398, 400.7,  
222/400.8, 401, 402.1-402.25; 239/525,  
239/526, 527, 528, 302, 316, 320, 321, 322,  
239/337, 338, 340, 343, 360, 375

See application file for complete search history.

(56) **References Cited**

**U.S. PATENT DOCUMENTS**

D226,712 S \* 4/1973 Tada ..... D23/226  
3,913,841 A \* 10/1975 Tada ..... 239/321  
4,826,052 A \* 5/1989 Micallef ..... 222/321.8  
4,932,563 A \* 6/1990 Diamond et al. .... 222/129  
D347,136 S \* 5/1994 Costa ..... D6/542

D351,646 S \* 10/1994 Foster et al. .... D23/226  
5,370,275 A \* 12/1994 Mills et al. .... 222/136  
5,639,025 A \* 6/1997 Bush ..... 239/333  
6,053,372 A \* 4/2000 Abedi ..... 222/383.1  
D444,700 S \* 7/2001 Ebert ..... D9/685  
6,360,914 B1 \* 3/2002 Frank et al. .... 222/3  
D532,299 S \* 11/2006 Kuo ..... D9/448  
D573,021 S \* 7/2008 Ohshima ..... D9/448  
D589,795 S \* 4/2009 Sweeton et al. .... D9/448  
2004/0245208 A1 \* 12/2004 Dennison ..... 215/379

**FOREIGN PATENT DOCUMENTS**

EM 000204417-0001 \* 10/2004  
EM 000204417-0002 \* 10/2004  
WO DM/049995 \* 2/2000

\* cited by examiner

*Primary Examiner* — Catherine Tuttle

(74) *Attorney, Agent, or Firm* — Norris McLaughlin & Marcus, PA

(57) **CLAIM**

The ornamental design for a combined trigger spray and bottle, as shown and described.

**DESCRIPTION**

FIG. 1 is a top, front and left perspective view showing our new design for a combined trigger spray and bottle;  
FIG. 2 is a front elevation view thereof;  
FIG. 3 is a rear elevation view thereof;  
FIG. 4 is a right side elevation view thereof;  
FIG. 5 is a left side elevation view thereof;  
FIG. 6 is a top plan view thereof; and,  
FIG. 7 is a bottom plan view thereof.

The broken lines are included for the purpose of illustrating portions of the combined trigger spray and bottle that form no part of the claimed design.

**1 Claim, 4 Drawing Sheets**



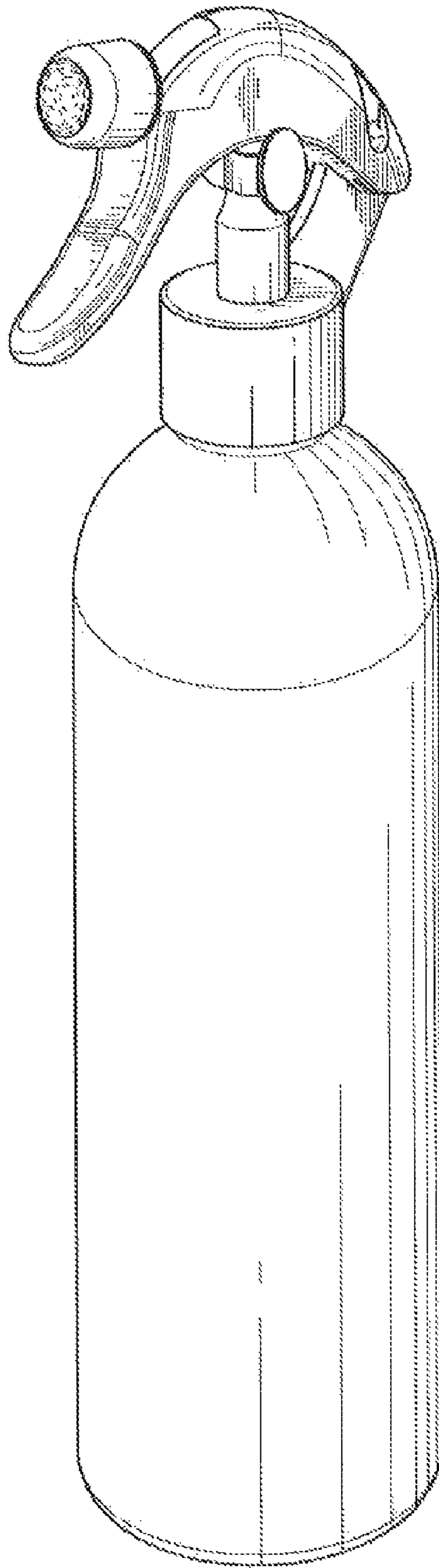


Fig. 1

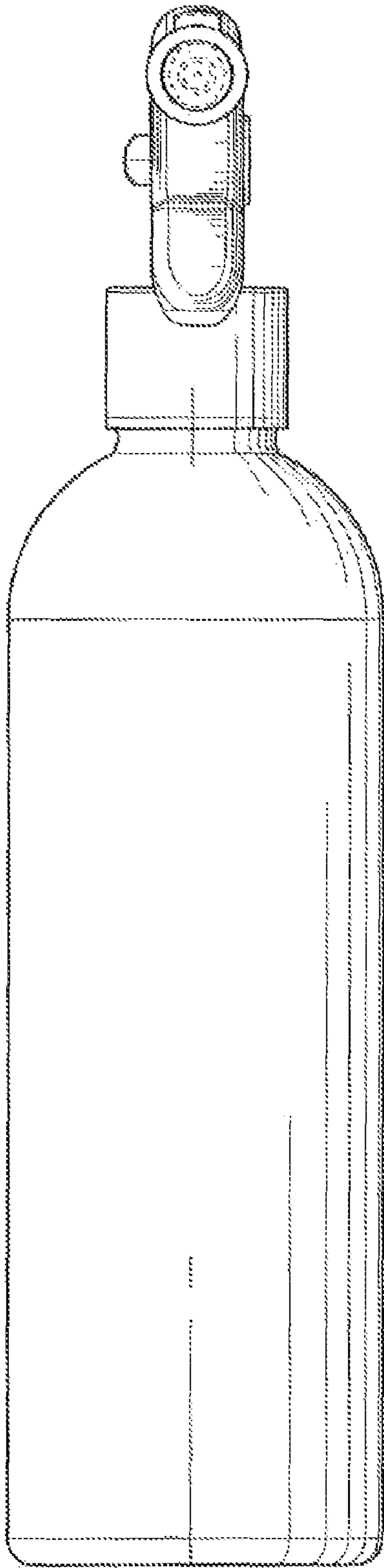


Fig.2

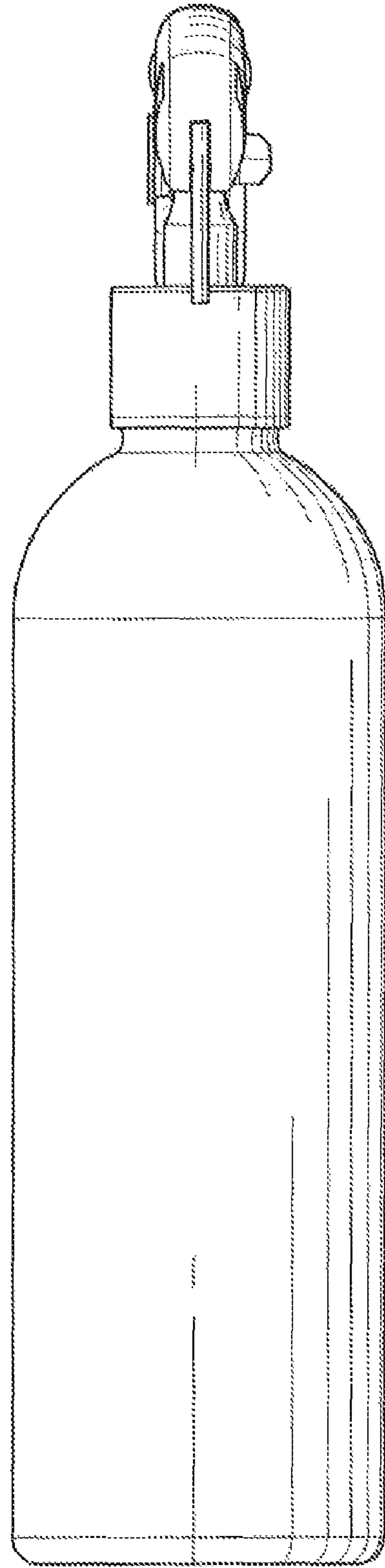


Fig.3

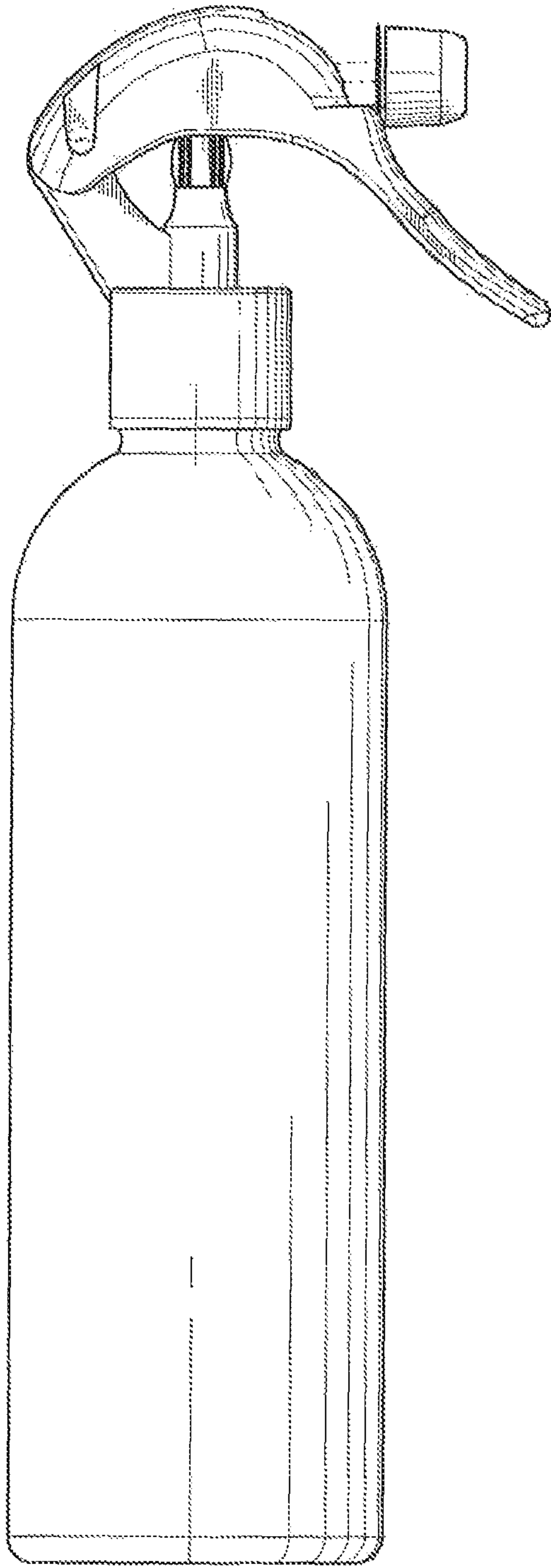


Fig.4

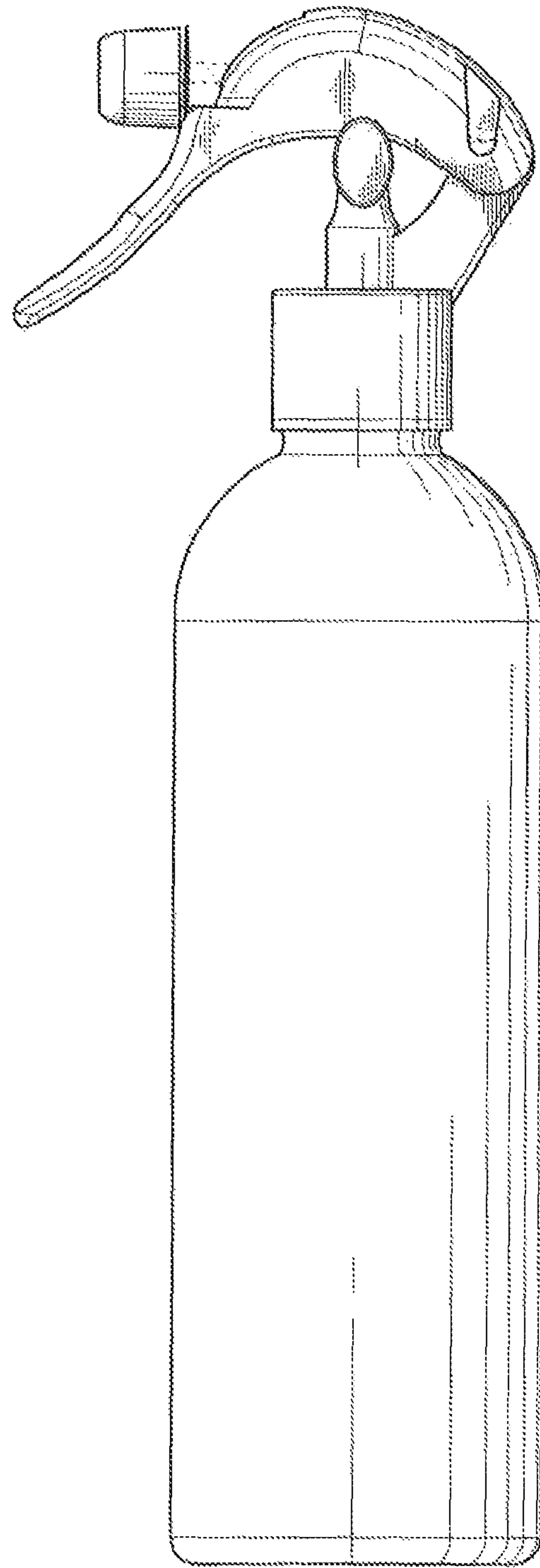


Fig.5



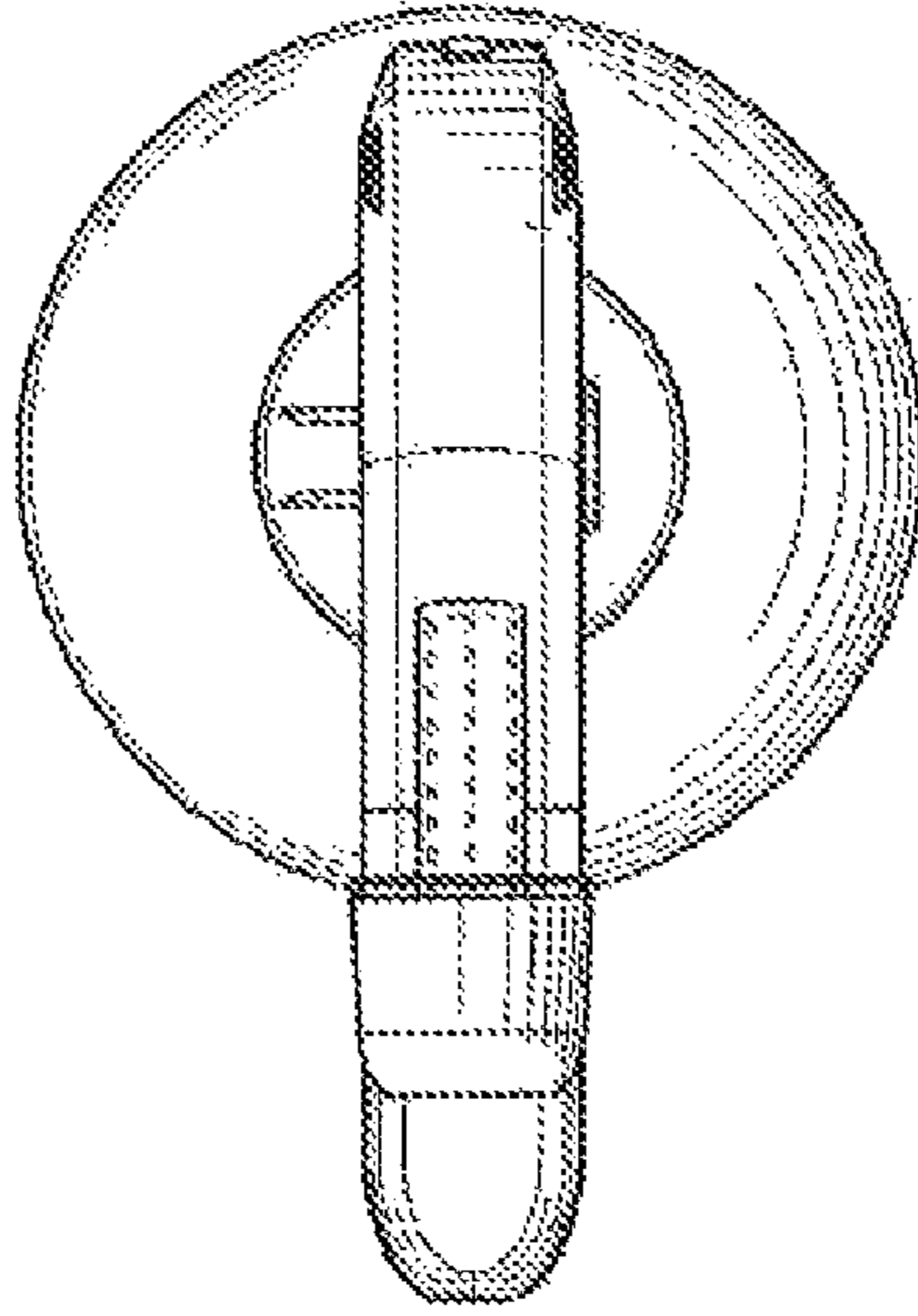


Fig.6

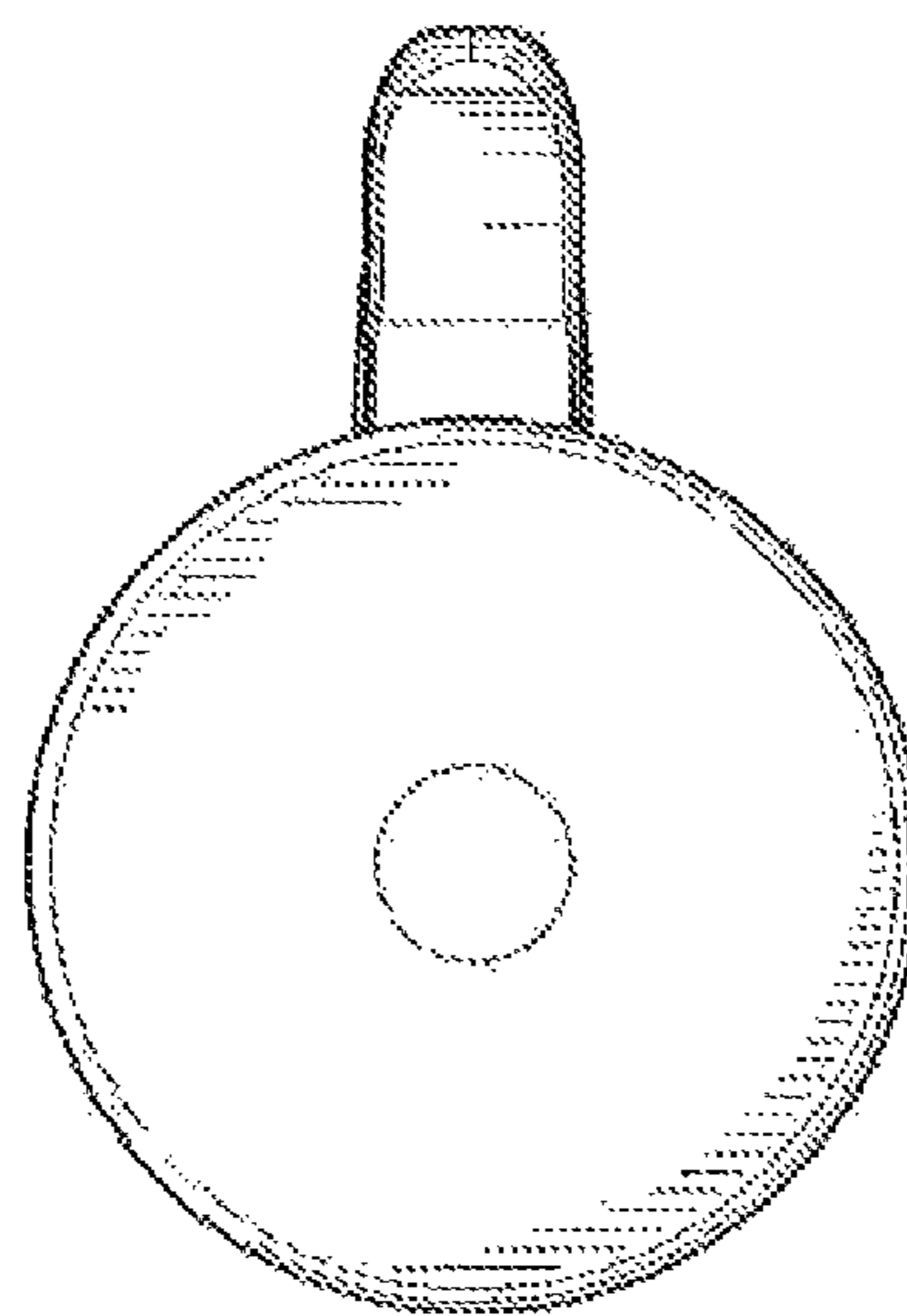


Fig.7