



US00D641250S

(12) **United States Design Patent**
Daniels et al.

(10) **Patent No.:** **US D641,250 S**
(45) **Date of Patent:** **** Jul. 12, 2011**

(54) **DISPENSING BOTTLE**

(75) Inventors: **Jacqueline Ann Daniels**, Hamilton, OH (US); **Yamilca Del Carmen Rodriguez**, Cincinnati, OH (US); **Norman Henry Tiilikka**, West Chester, OH (US); **Brian Joseph Sullivan**, Milford, OH (US)

(73) Assignee: **The Procter & Gamble Company**, Cincinnati, OH (US)

(**) Term: **14 Years**

(21) Appl. No.: **29/355,466**

(22) Filed: **Feb. 8, 2010**

(51) **LOC (9) Cl.** **09-01**

(52) **U.S. Cl.** **D9/666; D9/689**

(58) **Field of Classification Search** D9/516-575, D9/682-694, 434-436, 447-450, 504, 723-729; D28/5, 76, 77, 85-90, 91.1; 222/182, 635, 222/153.01, 153.04, 153.09, 153.1, 153.11, 222/153.12, 153.13, 153.14, 321.6-321.9, 222/372, 373, 378, 379, 382, 384-386, 401-402.25, 222/383.1; 215/379, 382, 384; 220/662, 220/665, 669, 675

See application file for complete search history.

(56) **References Cited**

U.S. PATENT DOCUMENTS

D92,160 S 5/1934 Brown
D127,009 S * 5/1941 Gebhart et al. D9/529
D177,420 S 4/1956 Lipman

(Continued)

FOREIGN PATENT DOCUMENTS

EM 000087176-0001 * 2/2004

(Continued)

OTHER PUBLICATIONS

Coco Chanel Twist and Spray Eau de Toilette and packaging material; Sep. 2006, www.gnpd.com, 3 pages.

(Continued)

Primary Examiner — Catherine Tuttle

(74) *Attorney, Agent, or Firm* — Eric T. Addington; S. Robert Chuey; James C. Vago

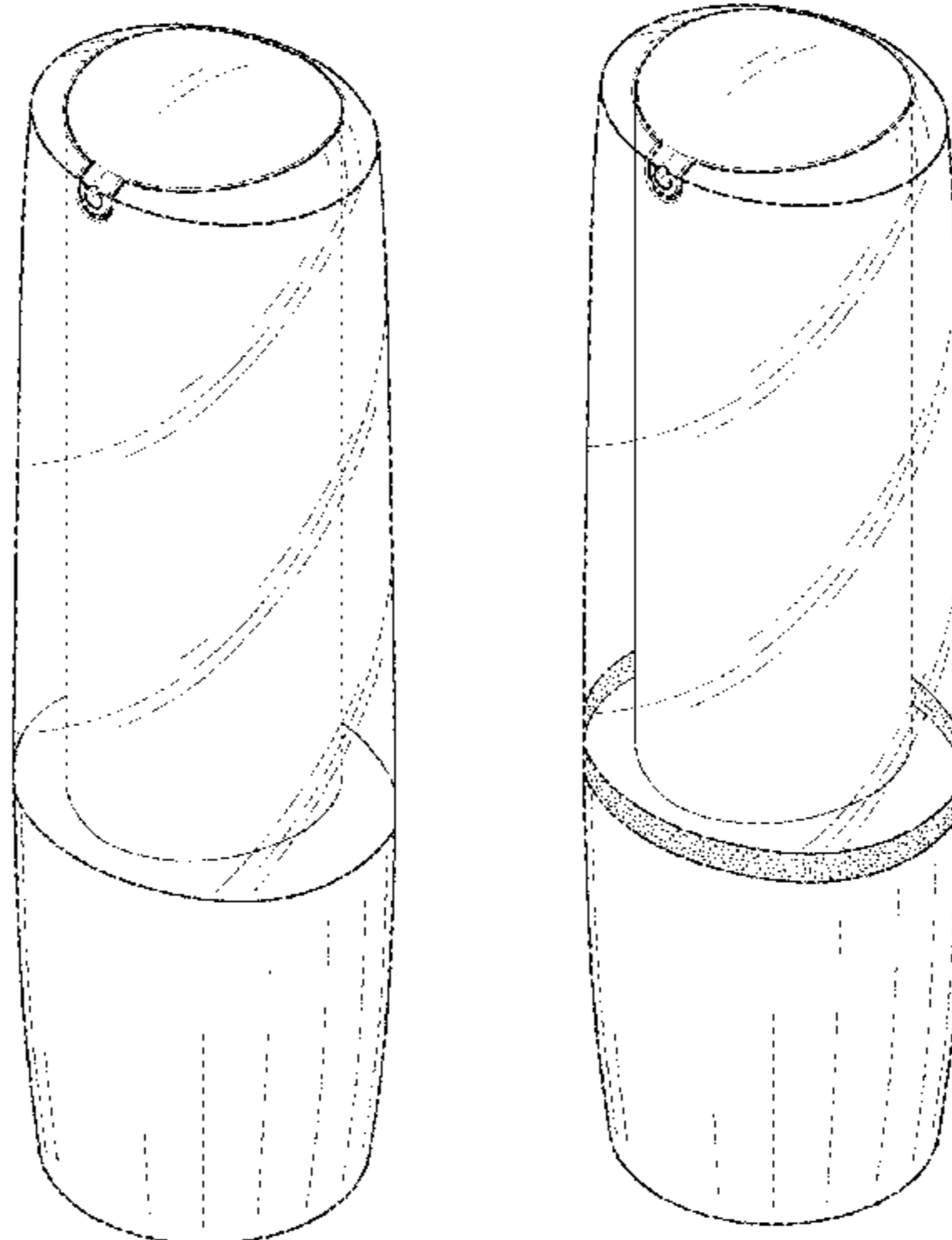
(57) **CLAIM**

The ornamental design for a dispensing bottle, as shown and described.

DESCRIPTION

FIG. 1 is a perspective view of the dispensing bottle showing a first embodiment of the new design, FIG. 2 is front elevation view of FIG. 1, FIG. 3 is a rear elevation view of FIG. 1, FIG. 4 is a side elevation view of FIG. 1, wherein the other side view is a mirror image, FIG. 5 is a top plan view of FIG. 1, and FIG. 6 is a bottom plan view of FIG. 1; FIG. 7 is a perspective view of the dispensing bottle showing a second embodiment of the new design, FIG. 8 is front elevation view of FIG. 7, FIG. 9 is a rear elevation view of FIG. 7, FIG. 10 is a side elevation view of FIG. 7, wherein the other side view is a mirror image, FIG. 11 is a top plan view of FIG. 7, and FIG. 12 is a bottom plan view of FIG. 7; FIG. 13 is a perspective view of the dispensing bottle showing a third embodiment of the new design including stippling to show a surface contrast, FIG. 14 is front elevation view of FIG. 13, FIG. 15 is a rear elevation view of FIG. 13, FIG. 16 is a side elevation view of FIG. 13, wherein the other side view is a mirror image, FIG. 17 is a top plan view of FIG. 13; and, FIG. 18 is a bottom plan view of FIG. 13. The appearance within the unshaded region of the bottom end in FIGS. 6, 12, and 18 forms no part of the claimed design.

1 Claim, 12 Drawing Sheets



US D641,250 S

Page 2

U.S. PATENT DOCUMENTS

D190,784 S 6/1961 Kruck
D191,487 S 10/1961 Sagarin et al.
3,178,071 A 4/1965 Gentoso
D215,698 S 10/1969 Jordan et al.
D218,553 S 9/1970 Nigro
D219,333 S 12/1970 Doblin
D220,083 S * 3/1971 Tucker D9/574
3,608,791 A 9/1971 Jordan et al.
4,108,558 A * 8/1978 Radice et al. 401/78
D255,549 S 6/1980 Kirk
D320,676 S 10/1991 Silverman
D328,025 S 7/1992 Farricielli
D334,711 S 4/1993 Ekuan
D345,630 S 3/1994 Chevassus
D363,226 S * 10/1995 Trussardi D9/544
D365,759 S 1/1996 Otani et al.
D405,358 S 2/1999 Dapsanse
D411,749 S * 6/1999 Nahum-Albright D9/529
D415,413 S 10/1999 Cummings
D459,211 S 6/2002 McGuinness
D463,285 S * 9/2002 Hemon D9/524
D469,008 S 1/2003 Helmlinger
D527,815 S * 9/2006 Nishibayashi et al. D24/110
D538,480 S * 3/2007 Chen D28/88
D538,481 S * 3/2007 Decker D28/89
D555,000 S 11/2007 Bunce et al.
D570,707 S 6/2008 Blasko et al.
D581,270 S 11/2008 Gonzalez et al.

D584,638 S 1/2009 Castelnuovo-Tedesco
D599,675 S * 9/2009 Premo D9/687
D608,655 S * 1/2010 Brewer et al. D9/689
D613,614 S 4/2010 Rodriguez
2009/0071985 A1 * 3/2009 Ki 222/309
2009/0302062 A1 * 12/2009 Maddy 222/183

FOREIGN PATENT DOCUMENTS

EM 000312301-0001 5/2005
EM 000398078-0018 * 11/2005
EM 000398078-0019 * 11/2005
EM 000398078-0022 * 11/2005
EM 000398078-0024 * 11/2005
EM 000413968-0003 * 11/2005
EM 000644059-0001 1/2007
EM 000983069-0001 * 8/2008
EM 00983069-0003 8/2008
GB DES. 2031455 6/1994
WO D035704-006 * 4/1996
WO D043439-004 * 5/1998
WO DM/057378 9/2001
WO D057766-001 * 12/2001
WO DM/064600 11/2003

OTHER PUBLICATIONS

Chanel Chance Twist and Spray and packaging material, Nov. 2004,
www.gnpd.com, 1 page.

* cited by examiner

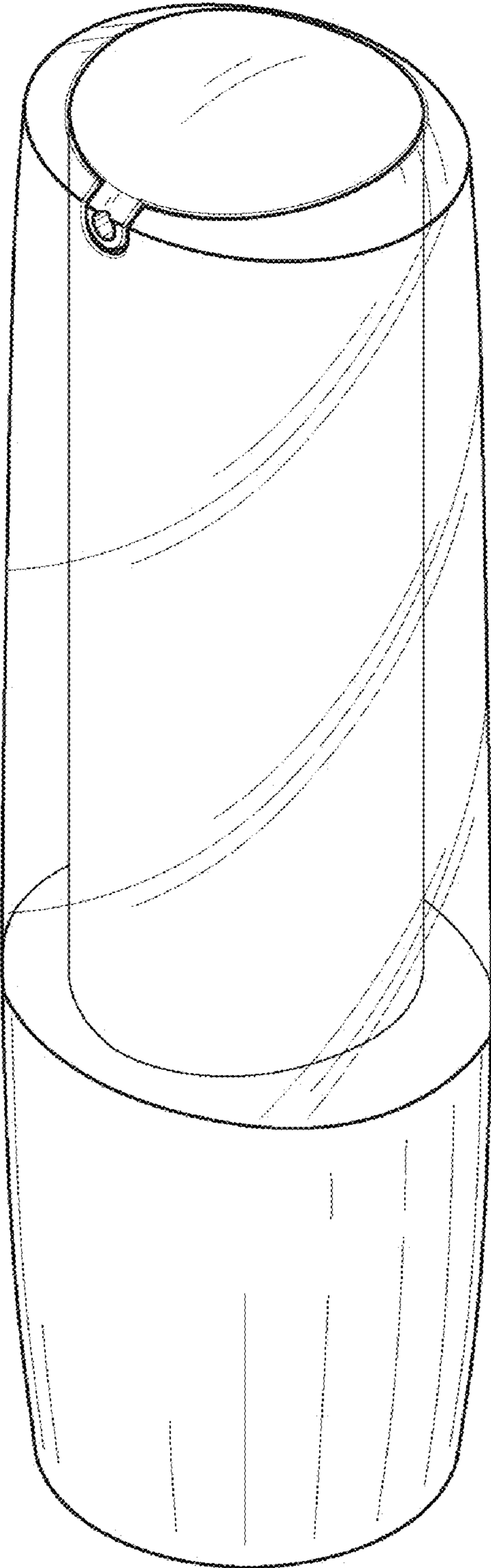


Fig. 1

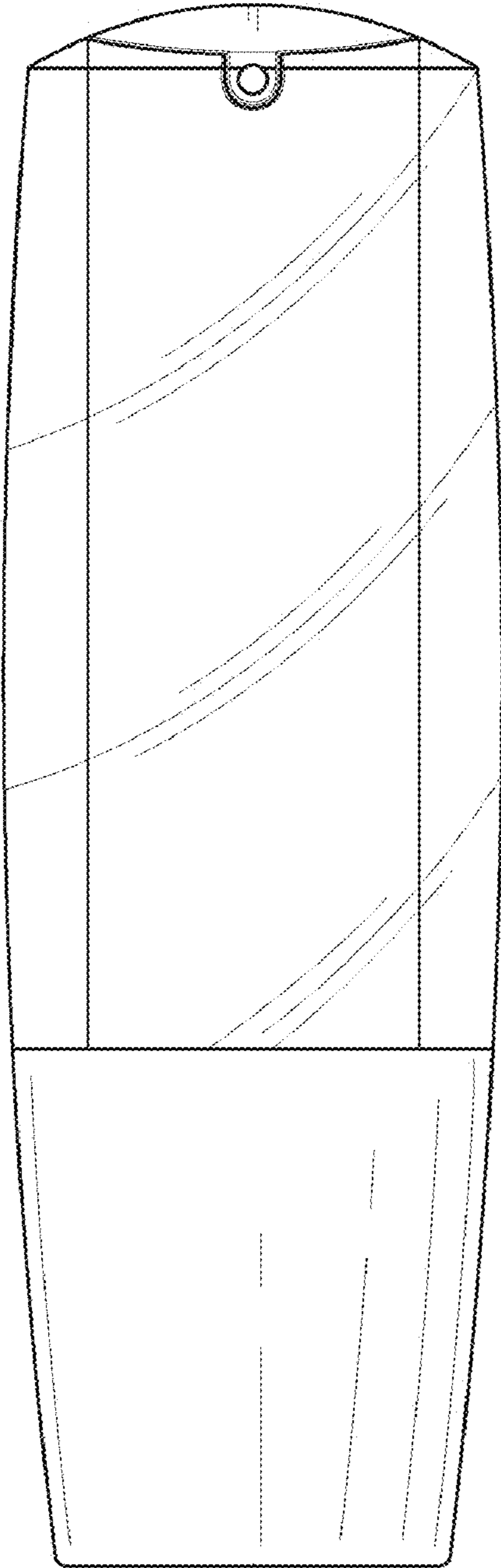


Fig. 2

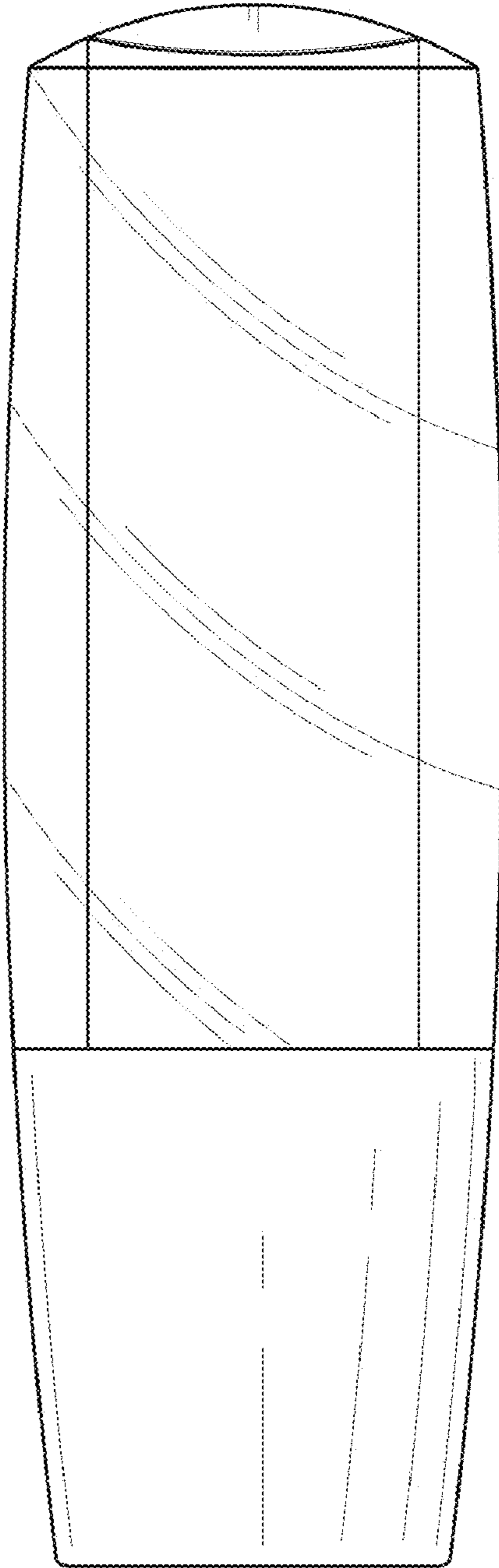


Fig. 3

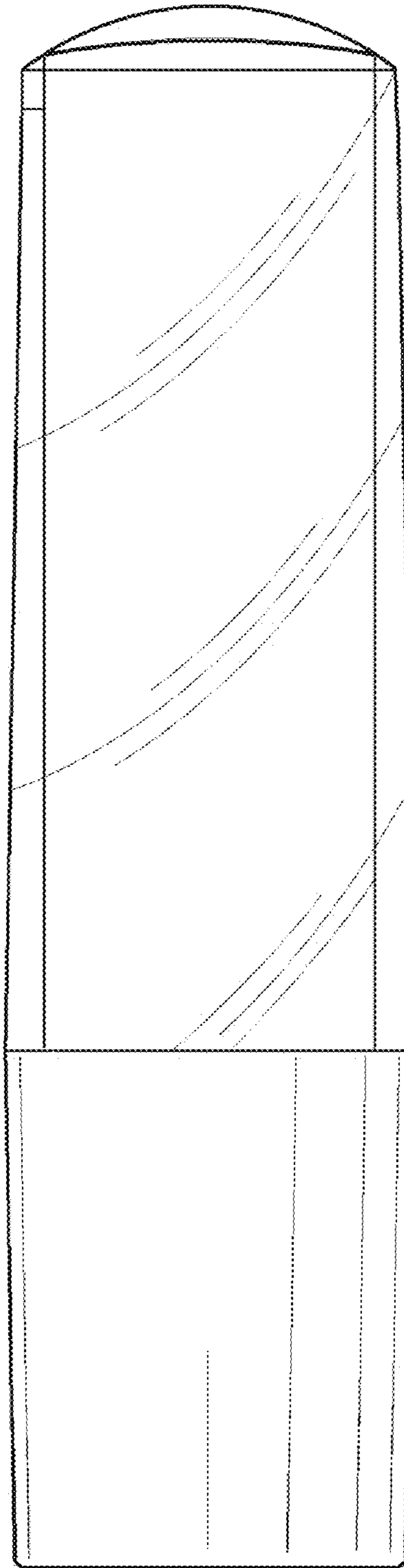


Fig. 4

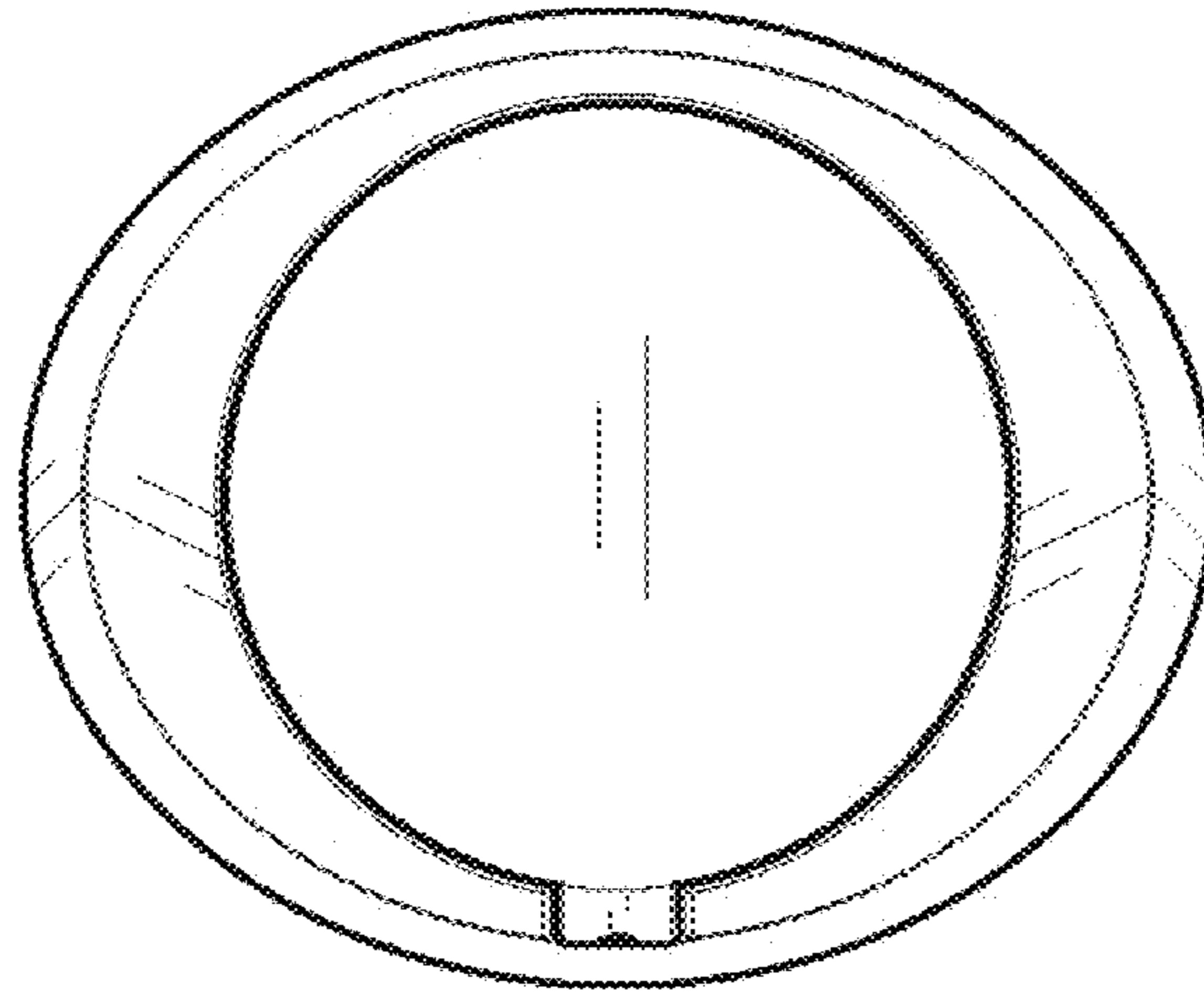


Fig. 5

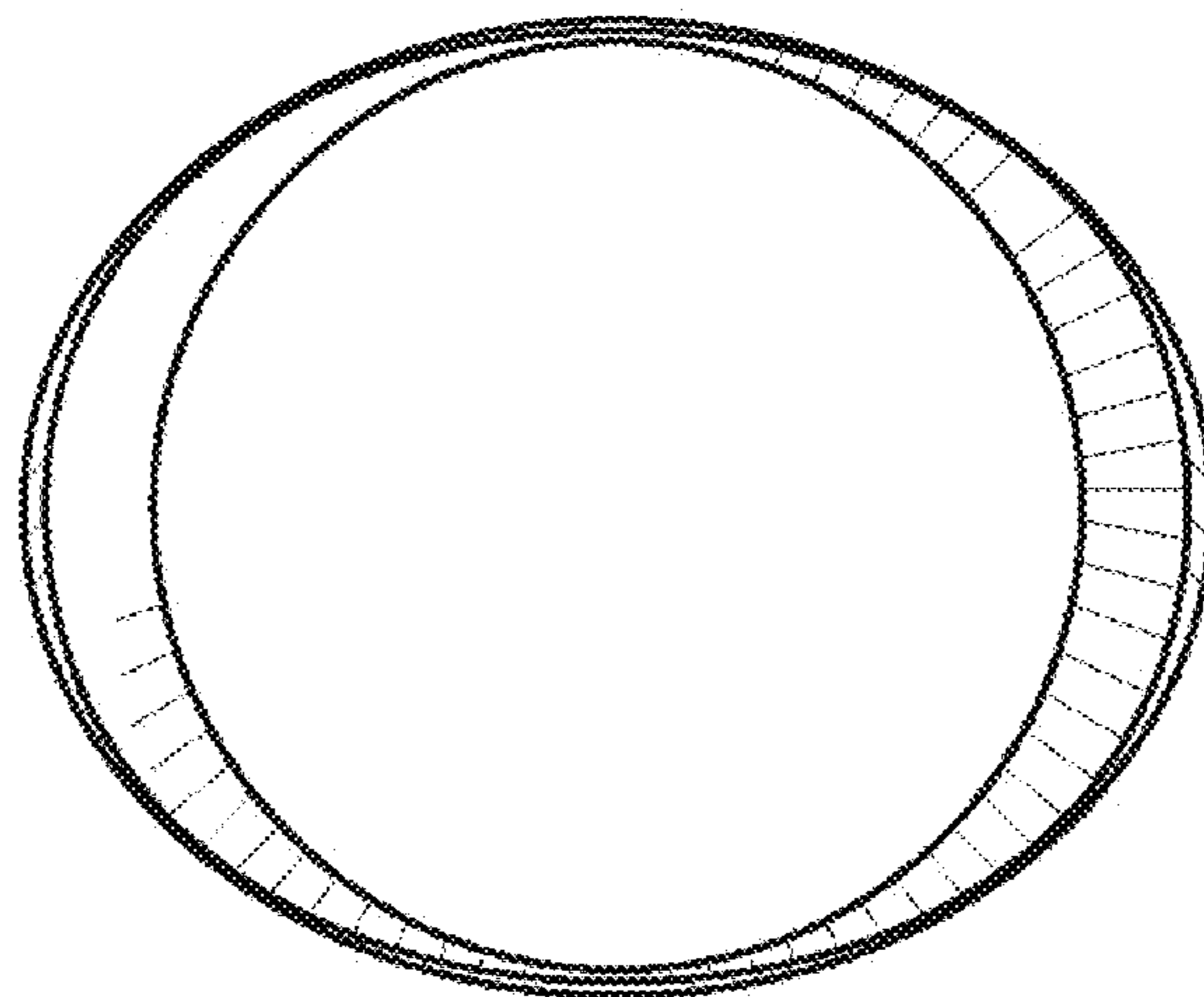


Fig. 6

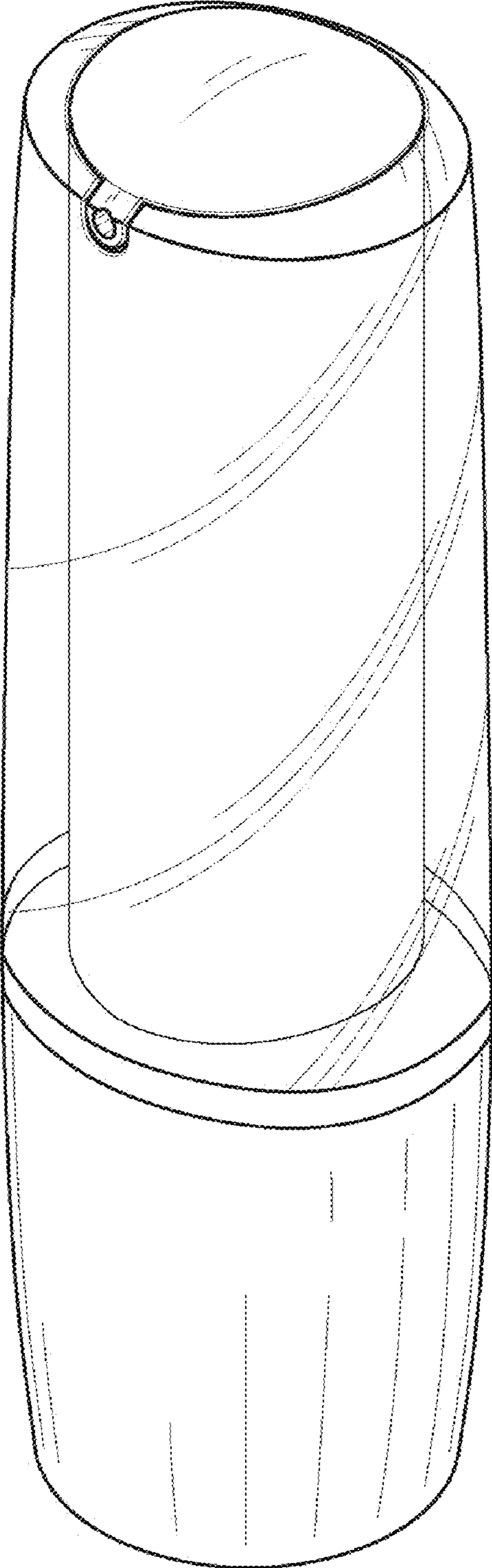


Fig. 7

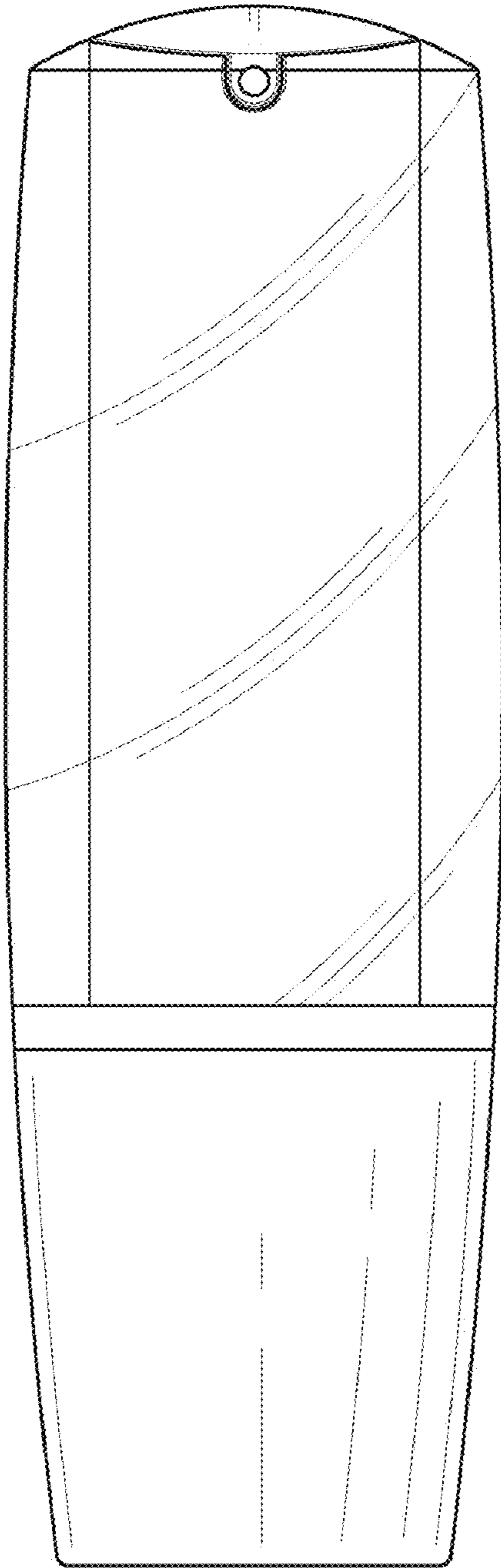


Fig. 8

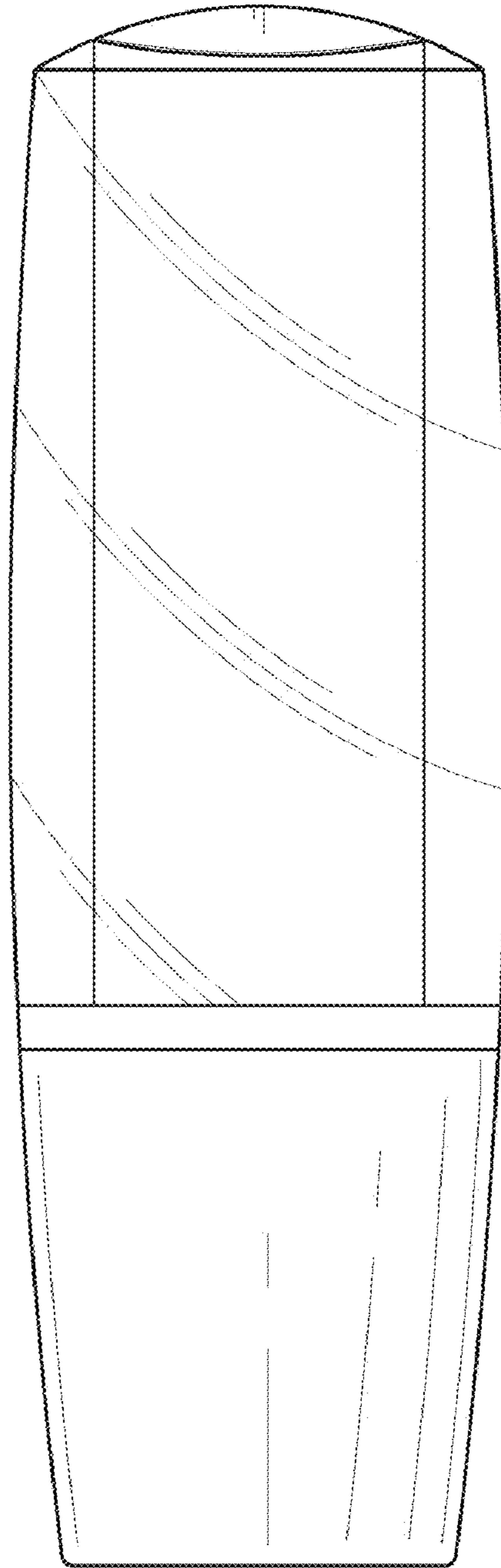


Fig. 9

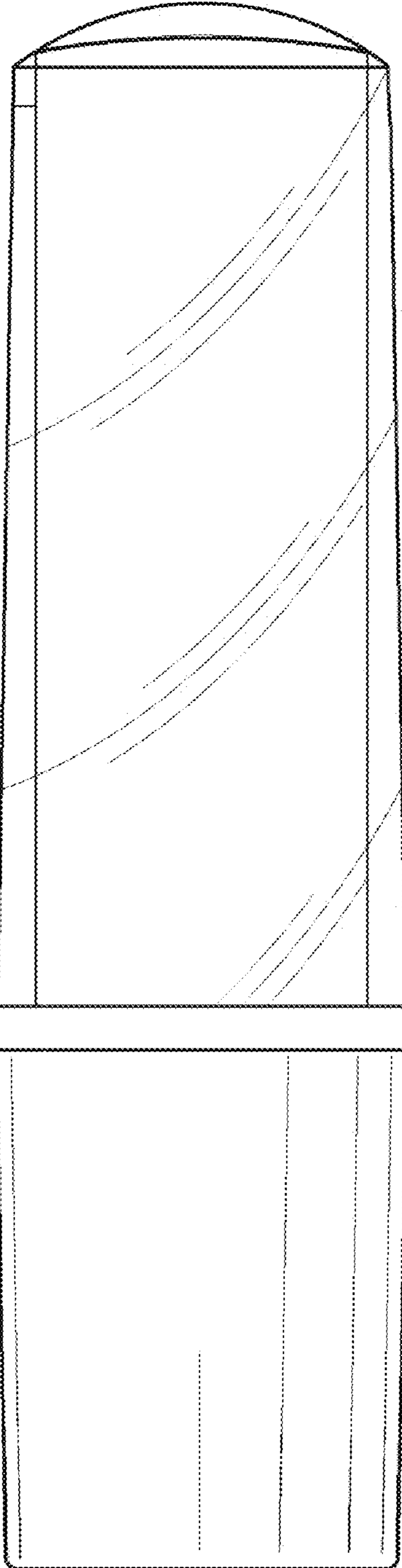


Fig. 10

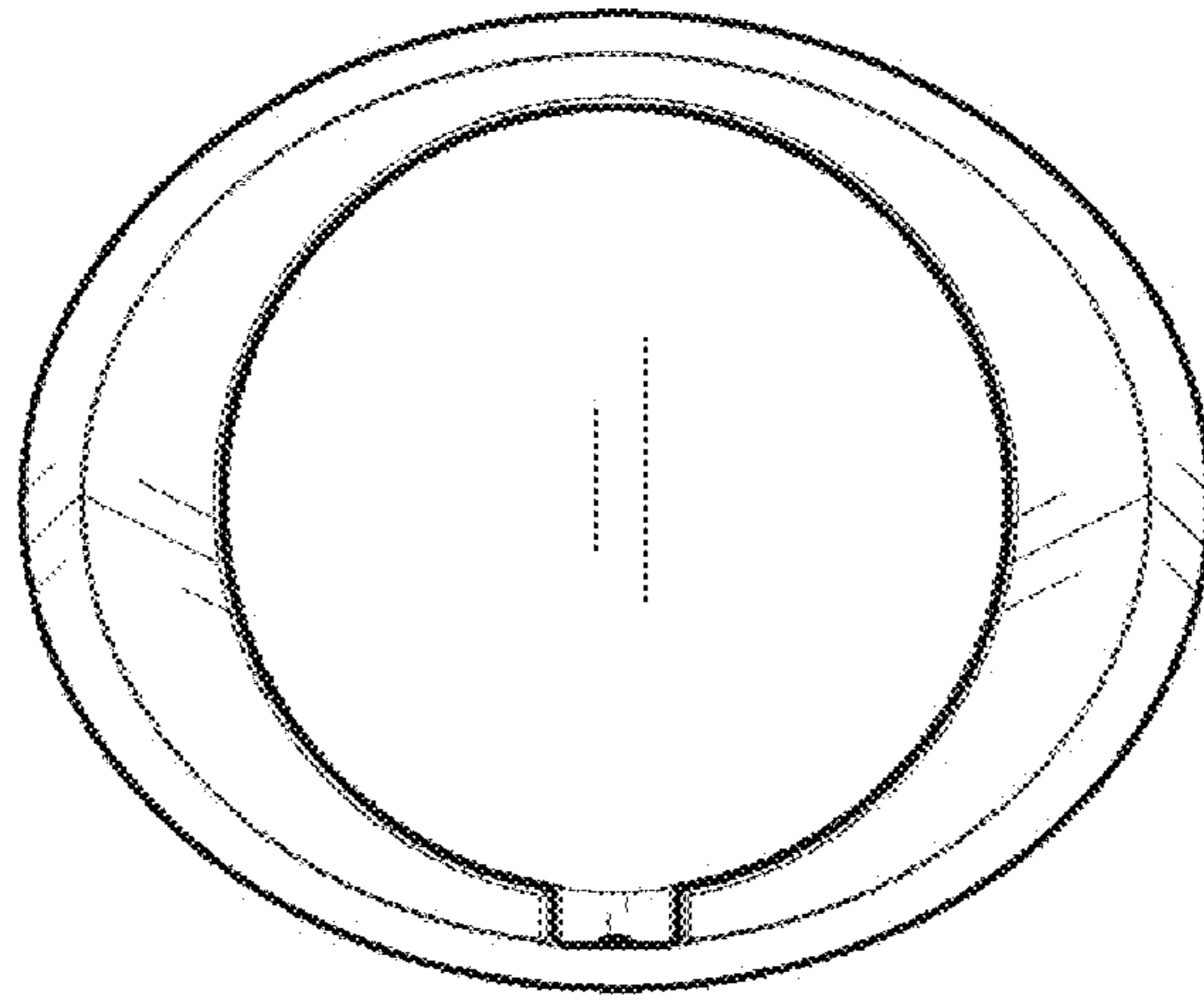


Fig. 11

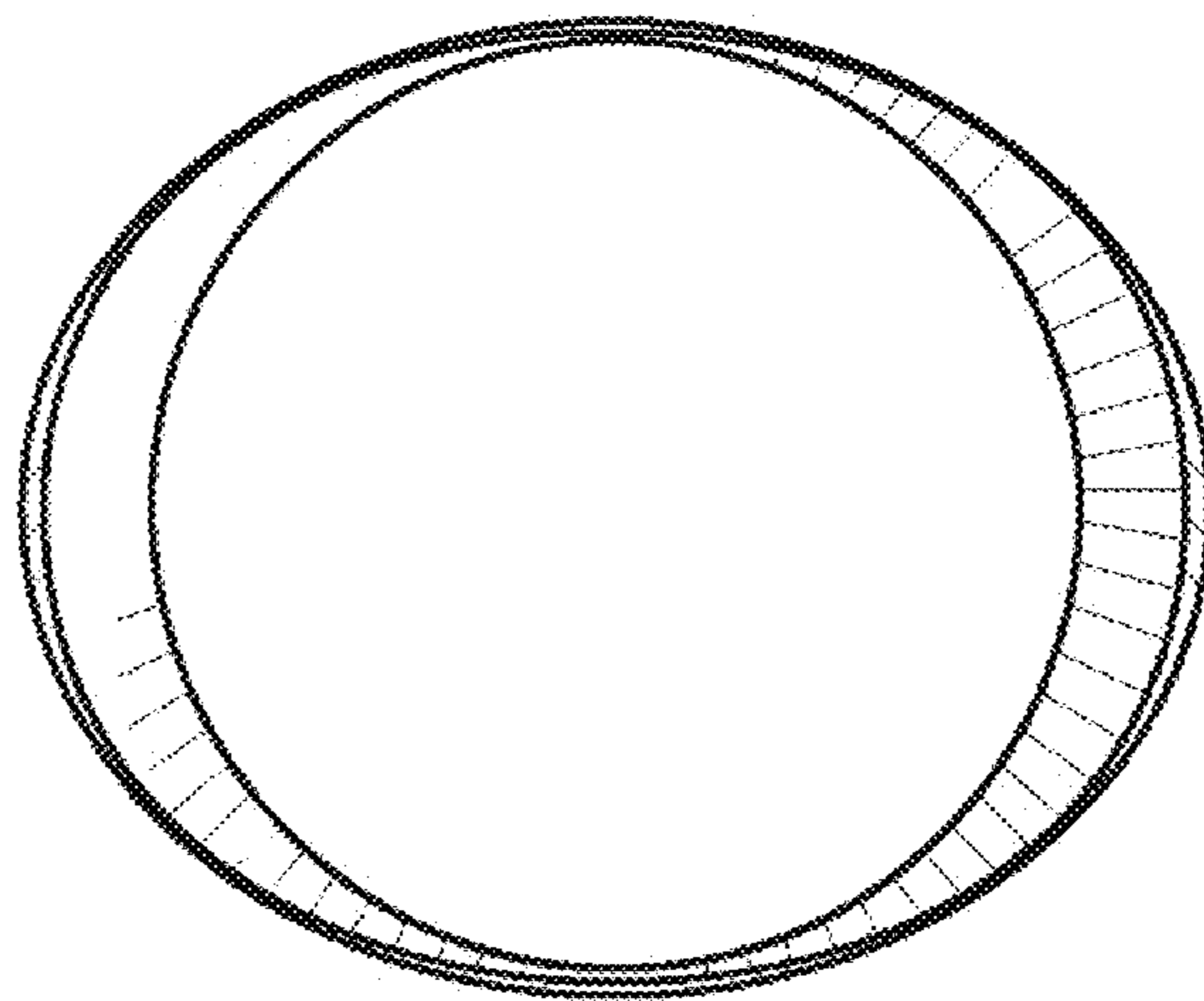


Fig. 12

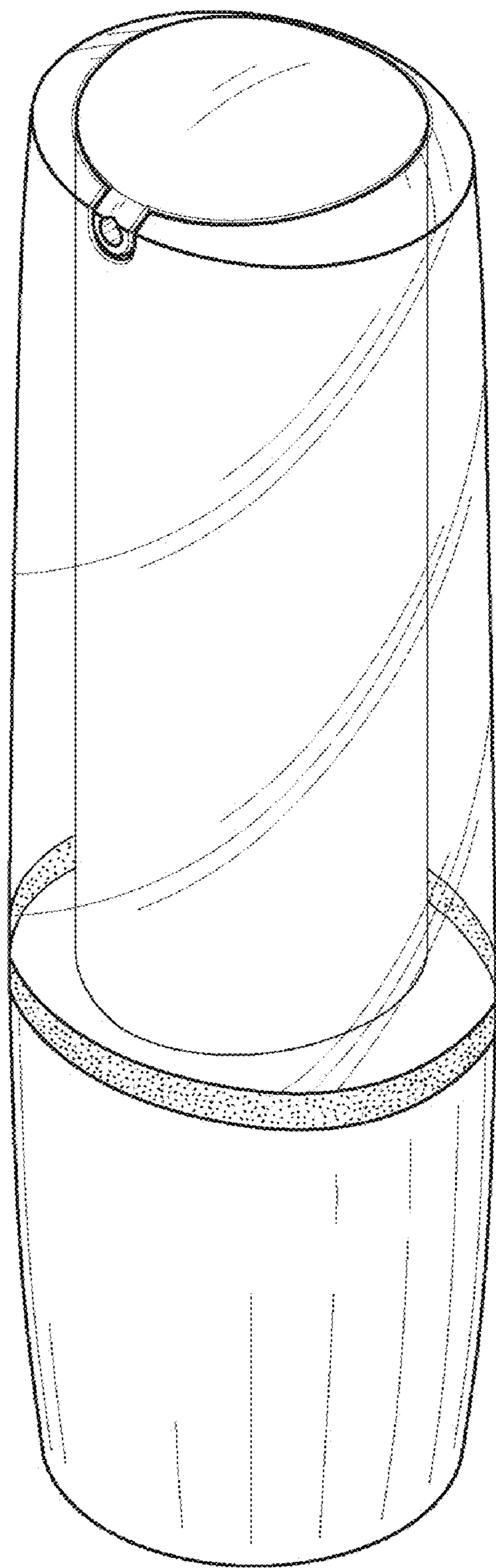


Fig. 13

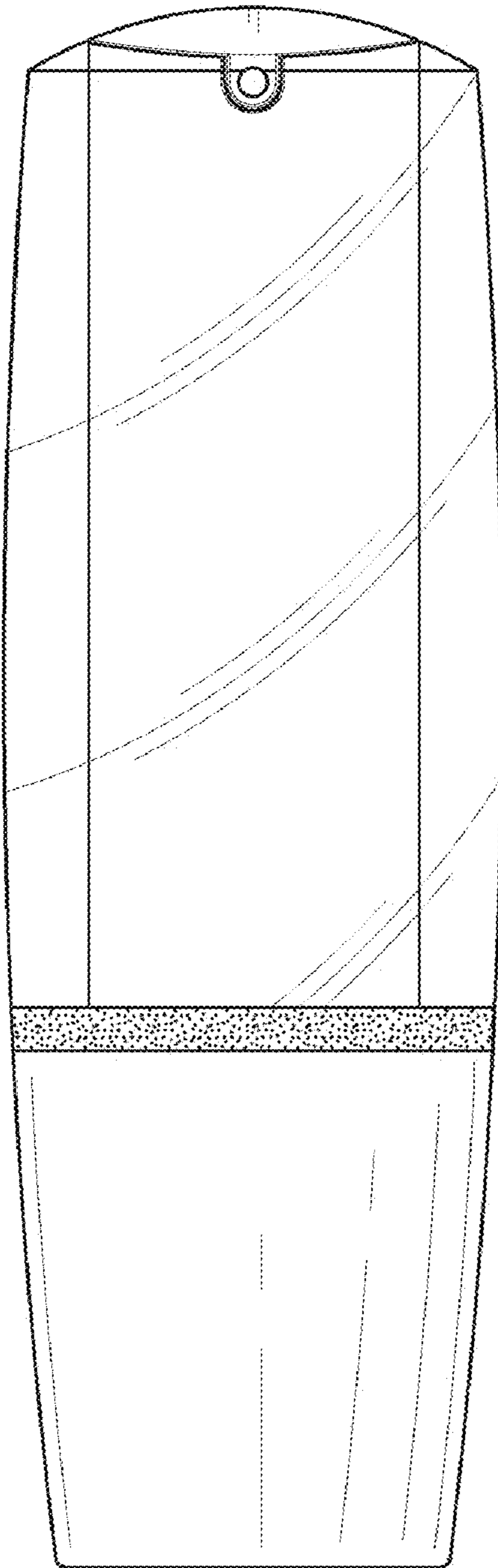


Fig. 14

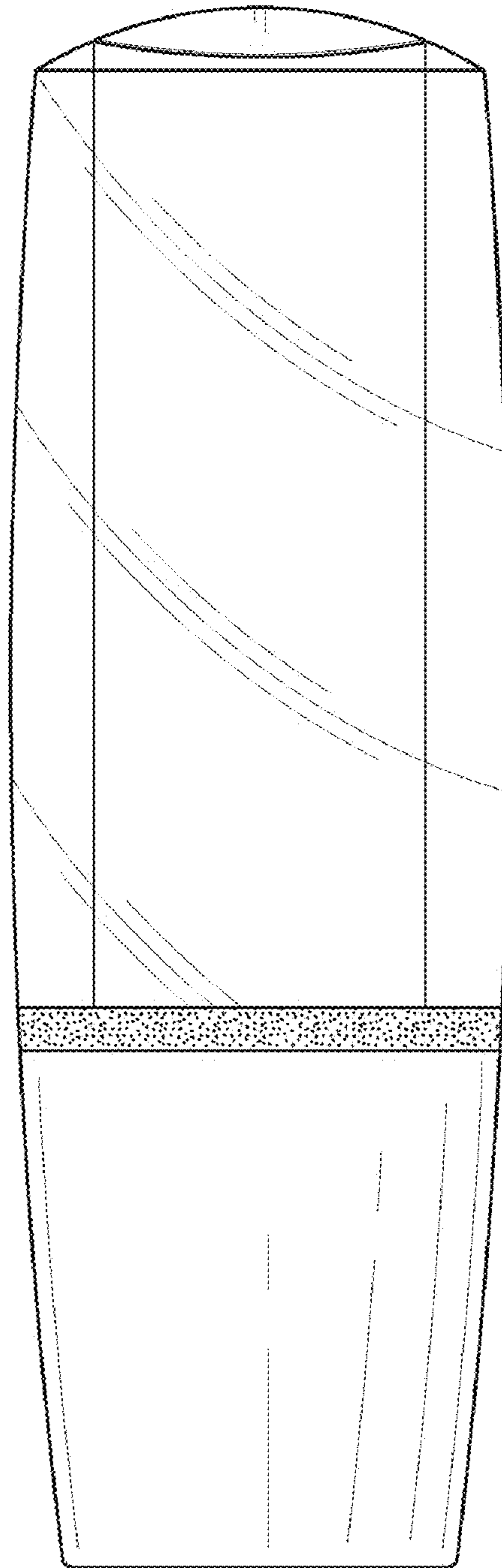


Fig. 15

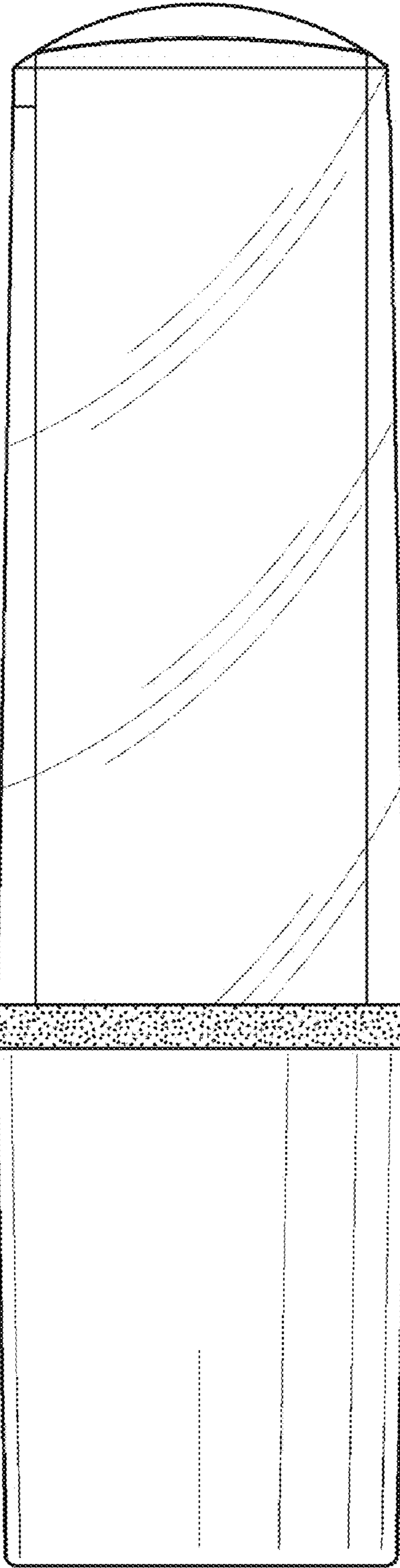


Fig. 16

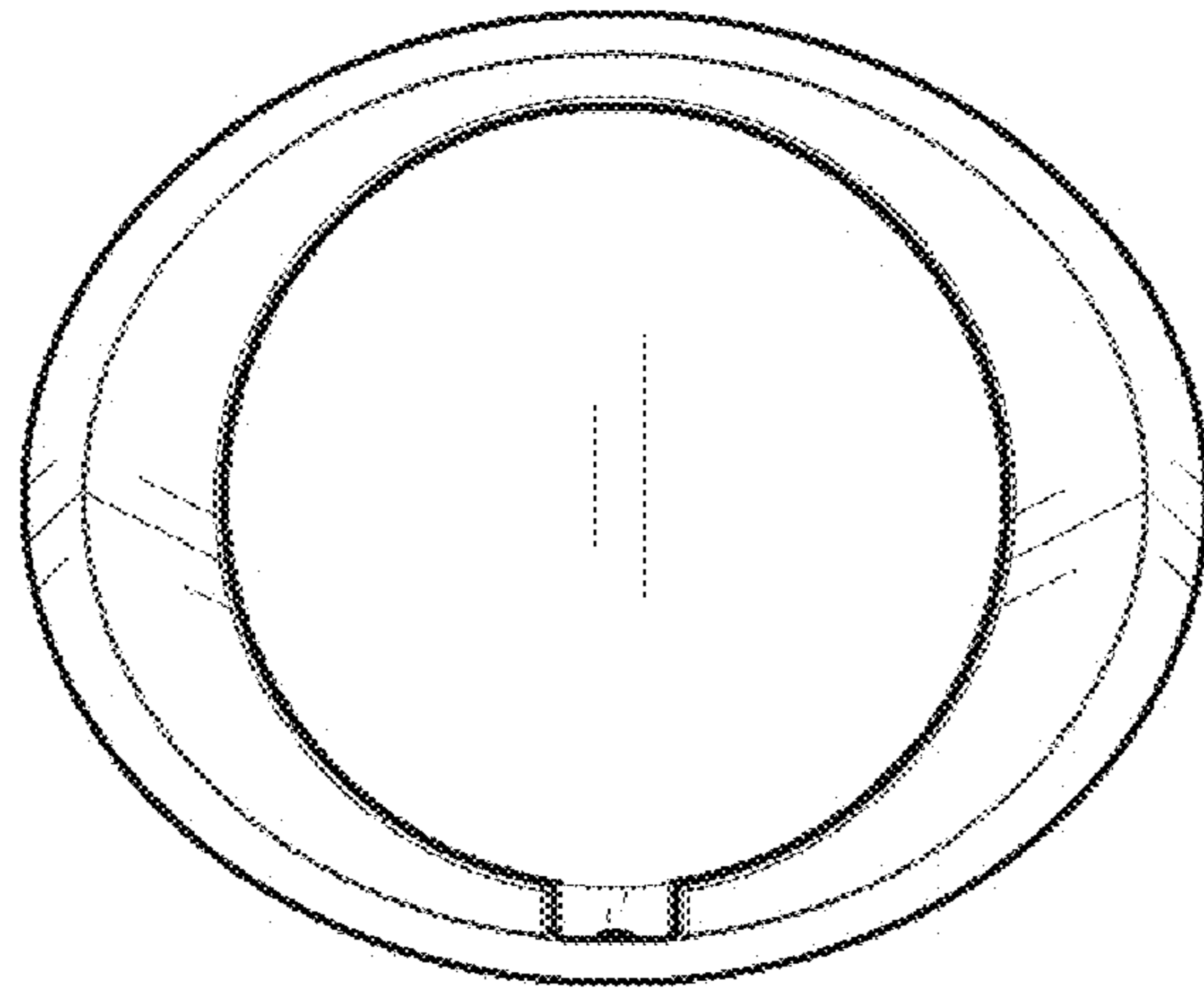


Fig. 17

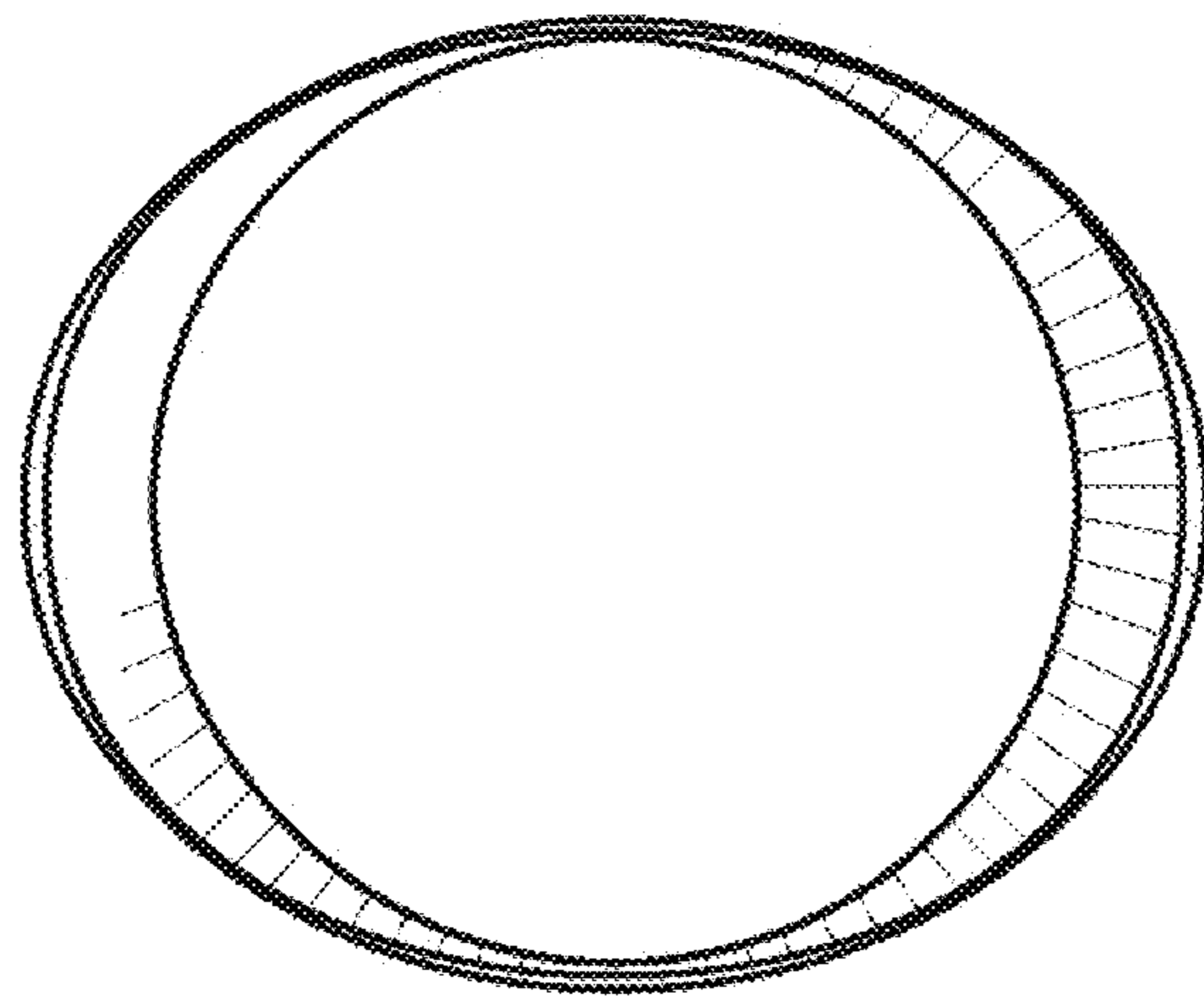


Fig. 18