



US00D641249S

(12) **United States Design Patent**
Staller

(10) **Patent No.:** **US D641,249 S**

(45) **Date of Patent:** **** Jul. 12, 2011**

(54) **DECORATIVE SHIPPING CONTAINER**

(76) **Inventor:** **Catherine Mary Staller**, Pollock Pines,
CA (US)

(**) **Term:** **14 Years**

(21) **Appl. No.:** **29/354,087**

(22) **Filed:** **Jan. 19, 2010**

(51) **LOC (9) Cl.** **09-03**

(52) **U.S. Cl.** **D9/631; D9/624; D9/414; D9/430**

(58) **Field of Classification Search** D9/600-681,
D9/721, 730, 733-736, 414-434; D3/201,
D3/269, 271.4, 272, 274, 304, 313; D6/512-523,
D6/553-574; 206/216, 278-299, 457, 458,
206/459.5, 736-774, 784, 525, 822; 229/100,
229/103, 108, 116.1, 116.5, 87.15, 921, 922;
D11/126, 130

See application file for complete search history.

(56) **References Cited**

U.S. PATENT DOCUMENTS

D53,017	S	*	2/1919	Harrell	D9/624
D98,884	S	*	3/1936	O'Brien	D9/649
2,118,821	A	*	5/1938	Ringler	446/77
3,027,061	A	*	3/1962	Locke	206/527
3,749,232	A	*	7/1973	Craig	220/4.22

4,099,613	A	*	7/1978	Holtorf	206/745
D249,123	S	*	8/1978	Dogliotti	D9/433
D266,743	S	*	11/1982	Brown	D9/416
D284,354	S	*	6/1986	Singer	D9/414
D314,913	S	*	2/1991	Ferbrache	D9/430
D430,438	S	*	9/2000	Phelps et al.	D6/515
D470,049	S	*	2/2003	Gray, III	D9/759

FOREIGN PATENT DOCUMENTS

WO D035774-001 * 5/1996

* cited by examiner

Primary Examiner — Catherine Tuttle

(74) *Attorney, Agent, or Firm* — Bay Area Technology Law Group PC

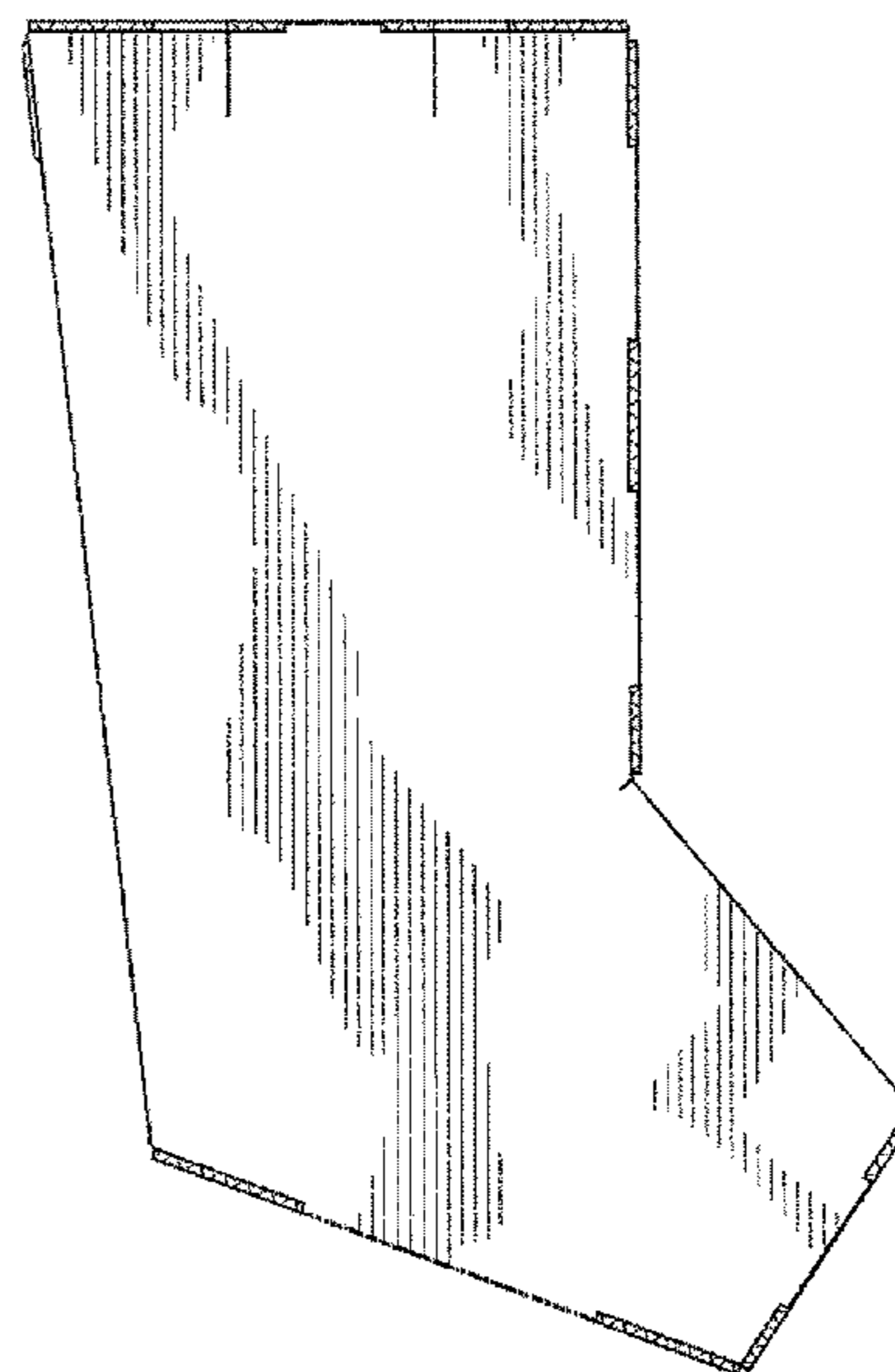
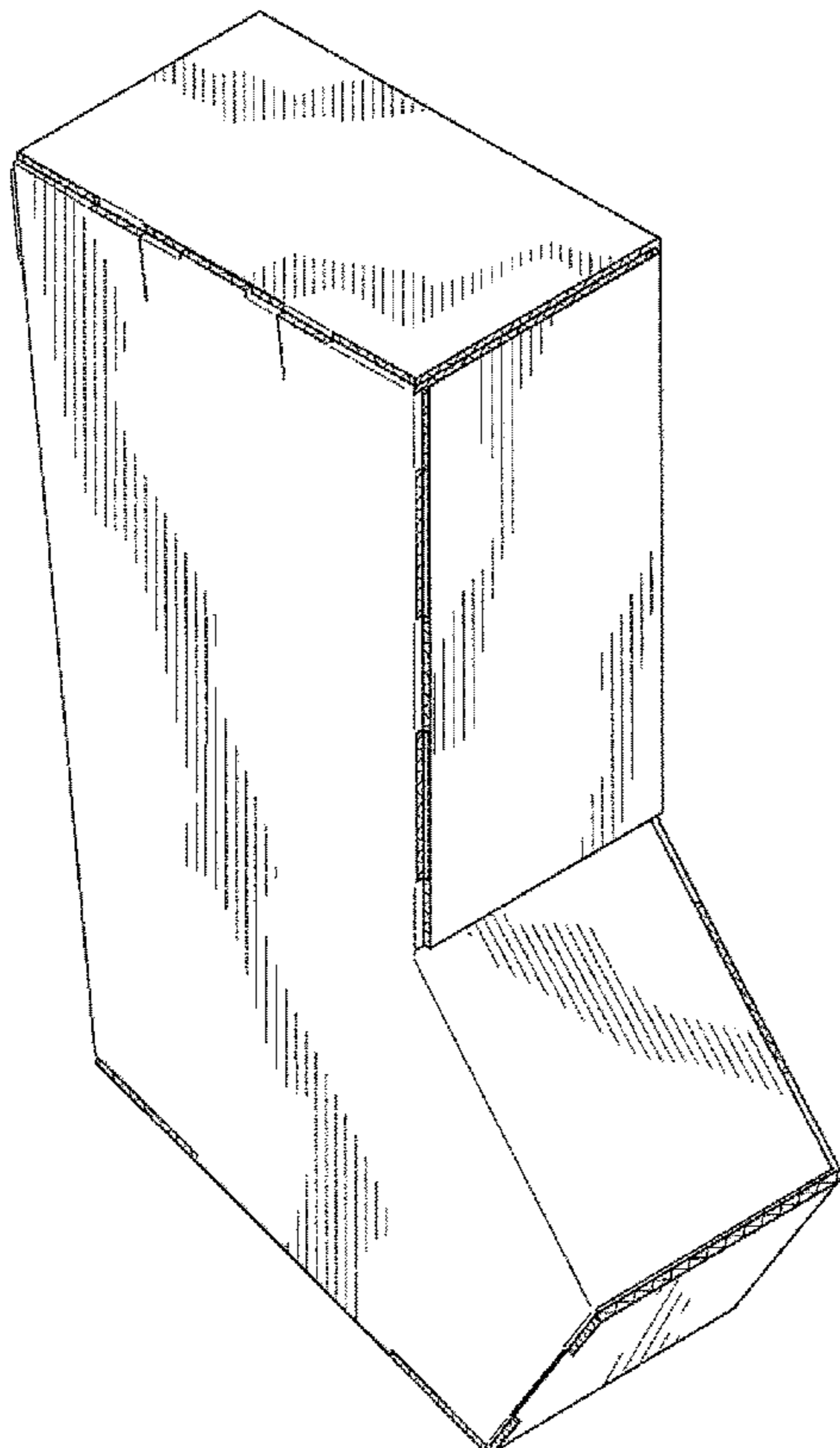
(57) **CLAIM**

The ornamental design for a decorative shipping container, as shown and described.

DESCRIPTION

FIG. 1 is a perspective view of a decorative shipping container showing my new design;
FIG. 2 is a left side view of the decorative shipping container;
FIG. 3 is a right side view thereof;
FIG. 4 is a back view thereof;
FIG. 5 is a front view thereof;
FIG. 6 is a bottom view thereof; and,
FIG. 7 is a top view thereof.

1 Claim, 3 Drawing Sheets



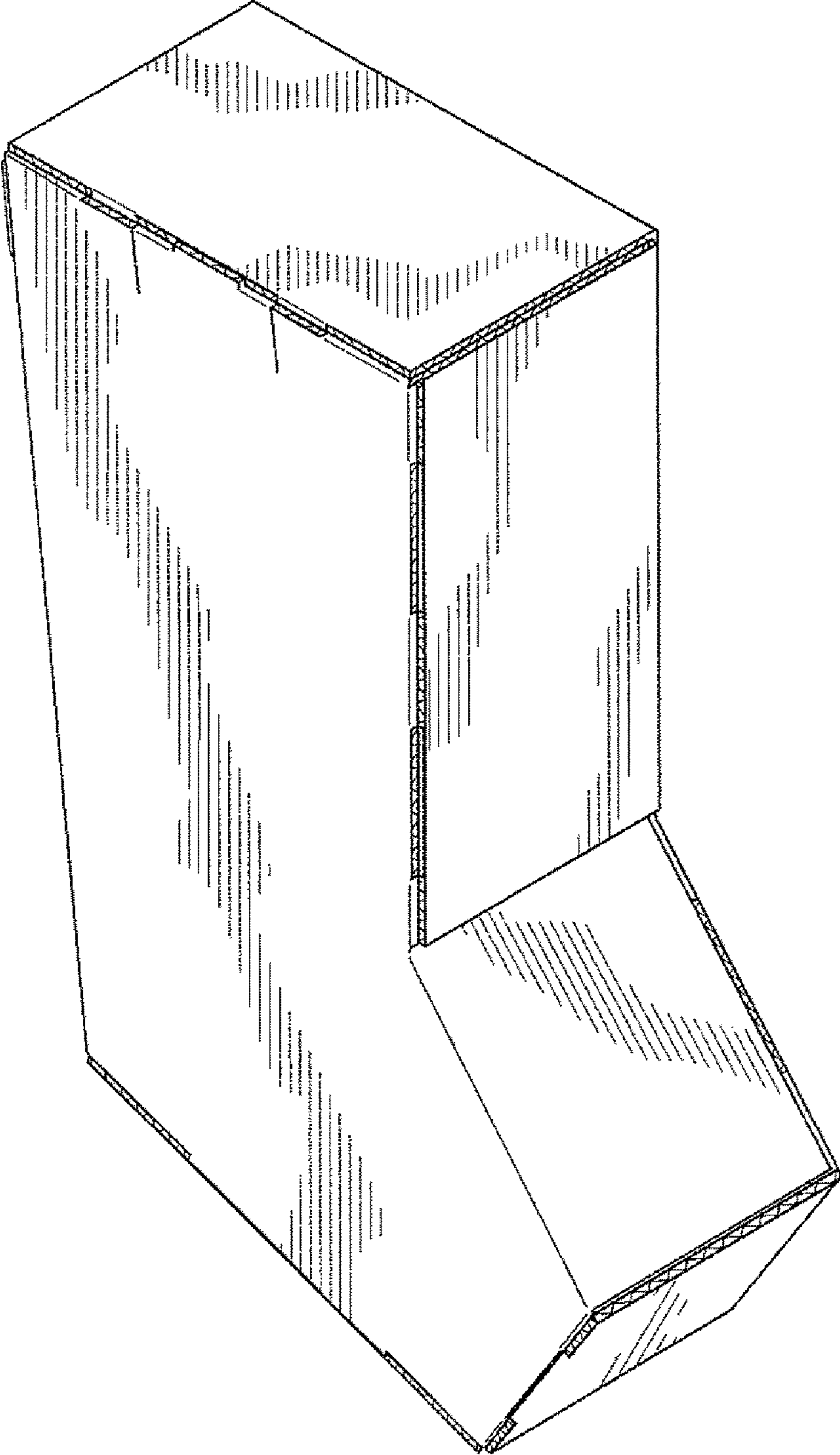


FIG. 1

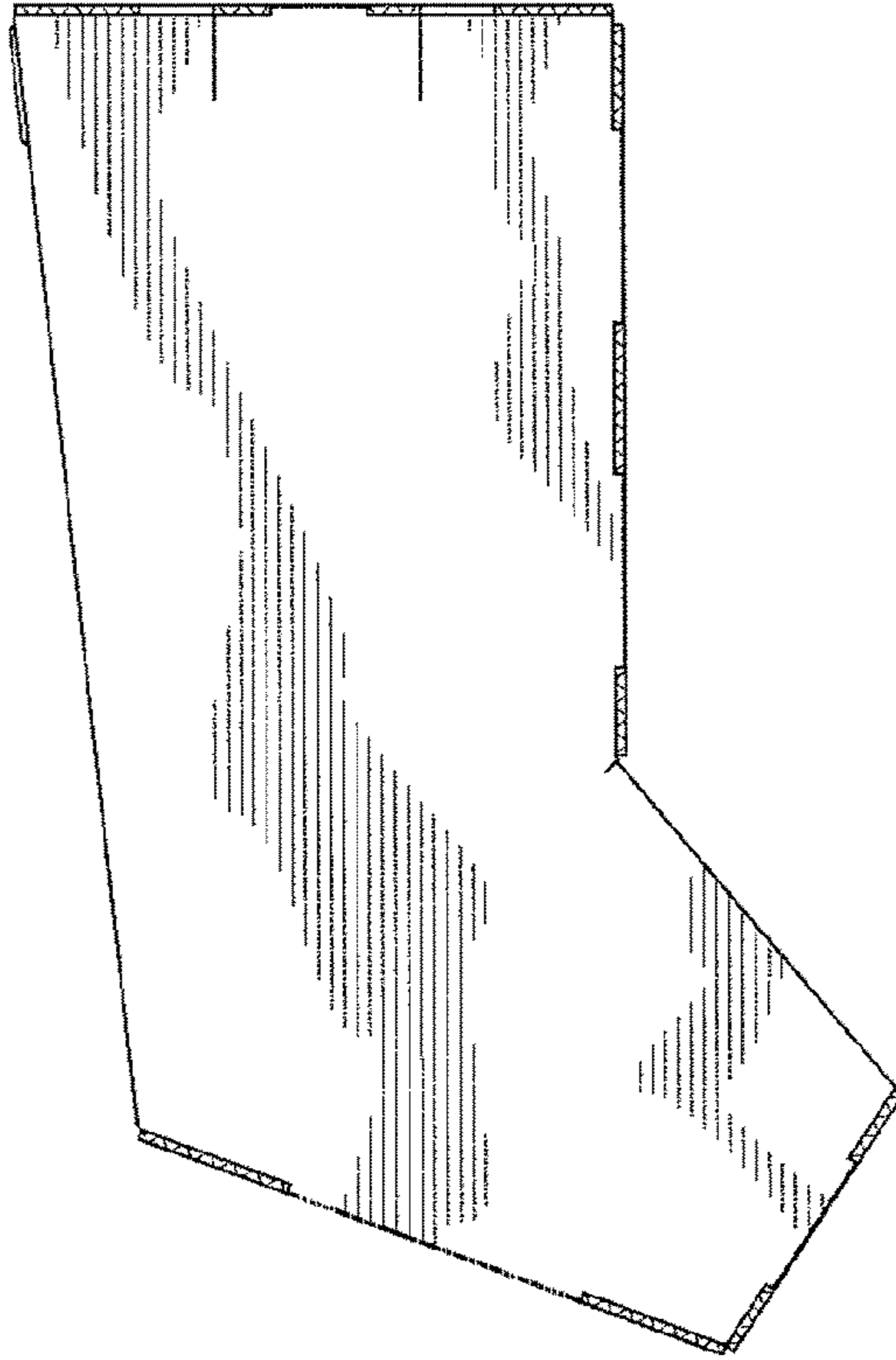


FIG. 2

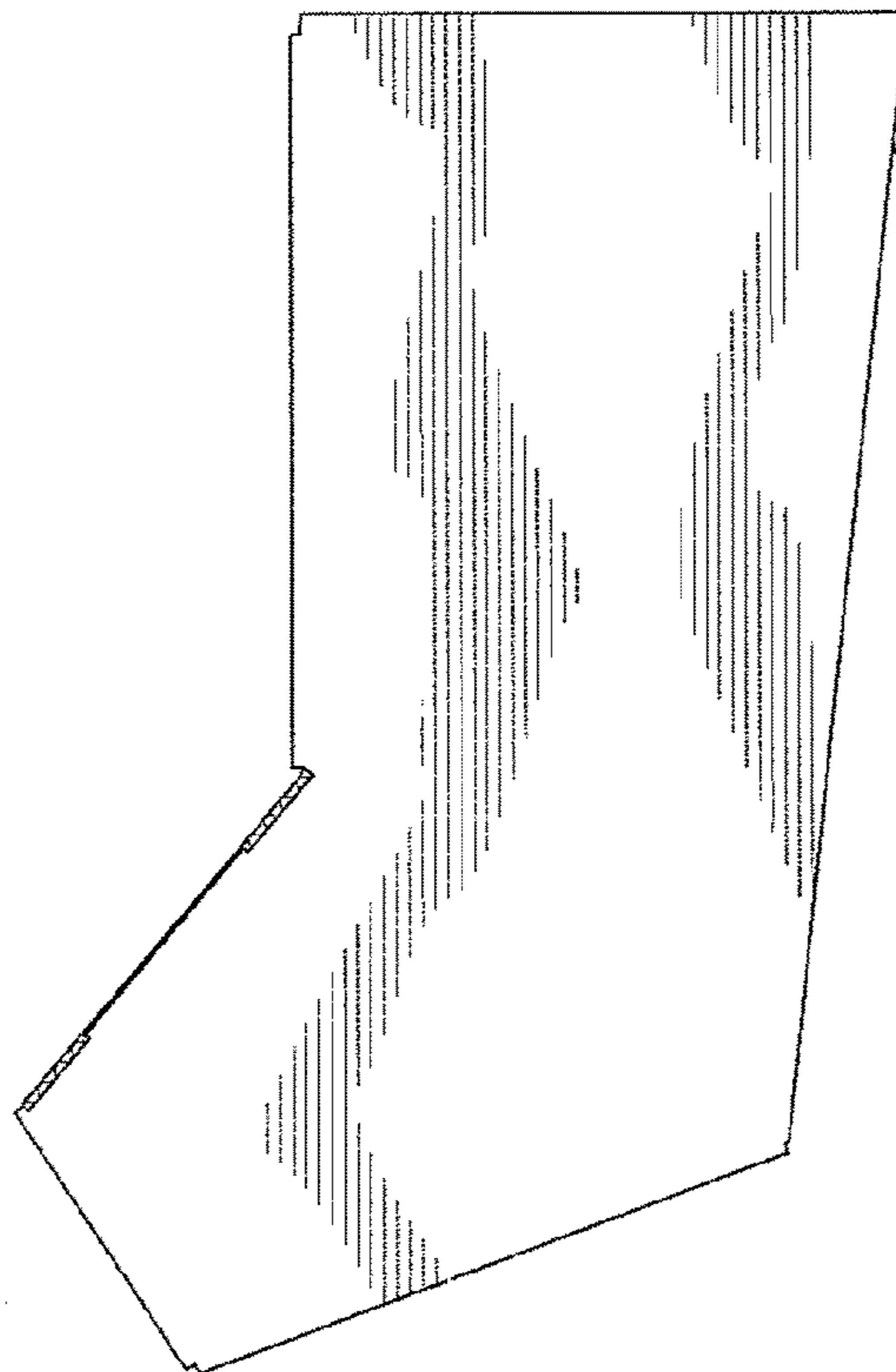


FIG. 3

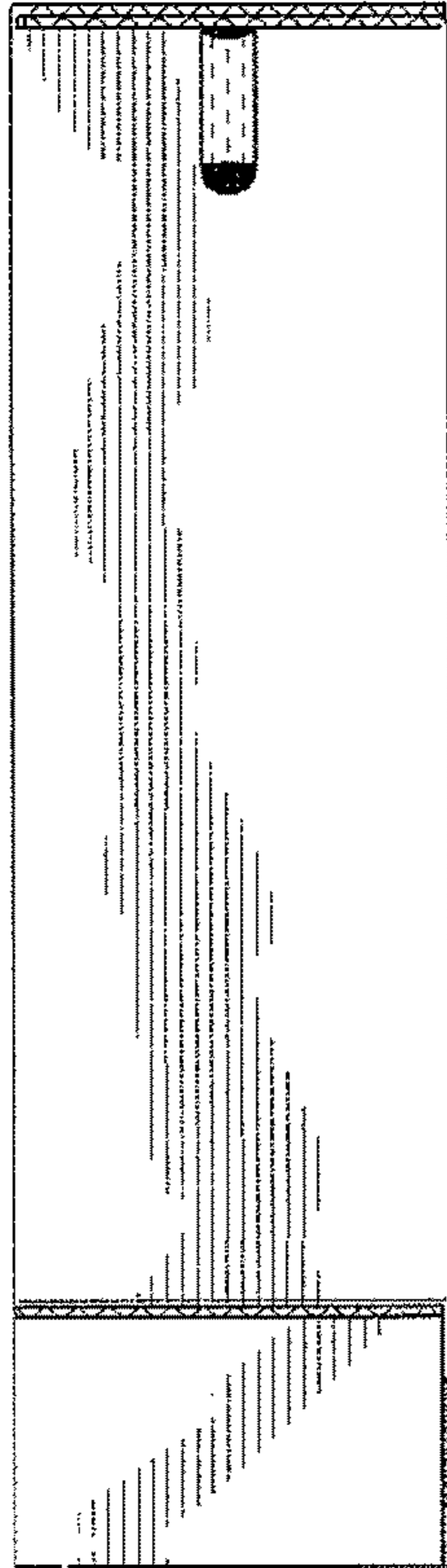


FIG. 4

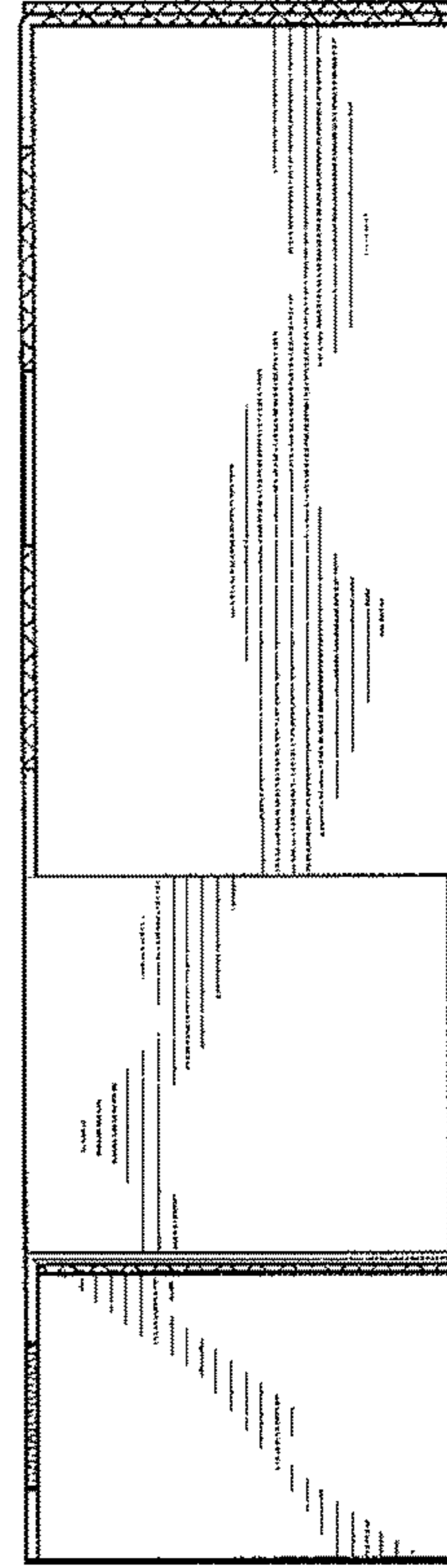


FIG. 5

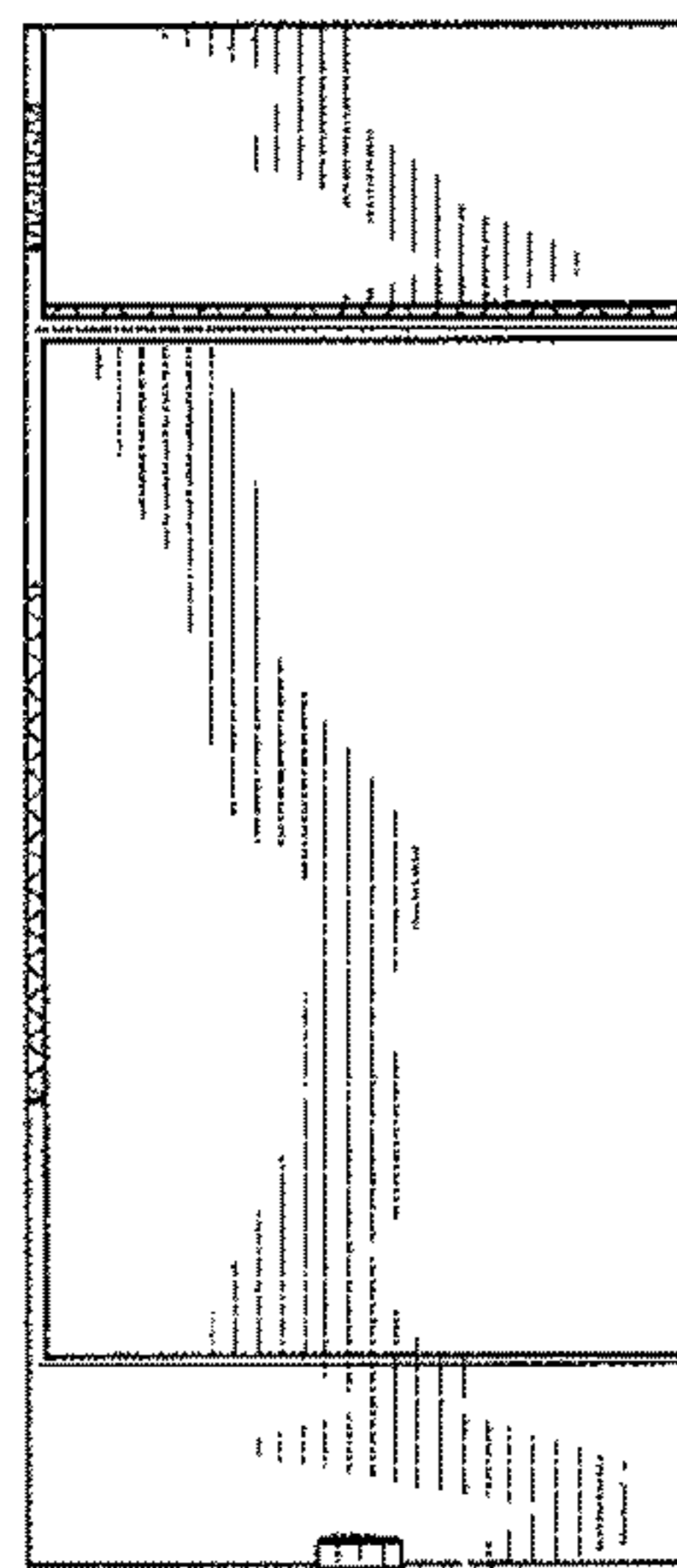


FIG. 6

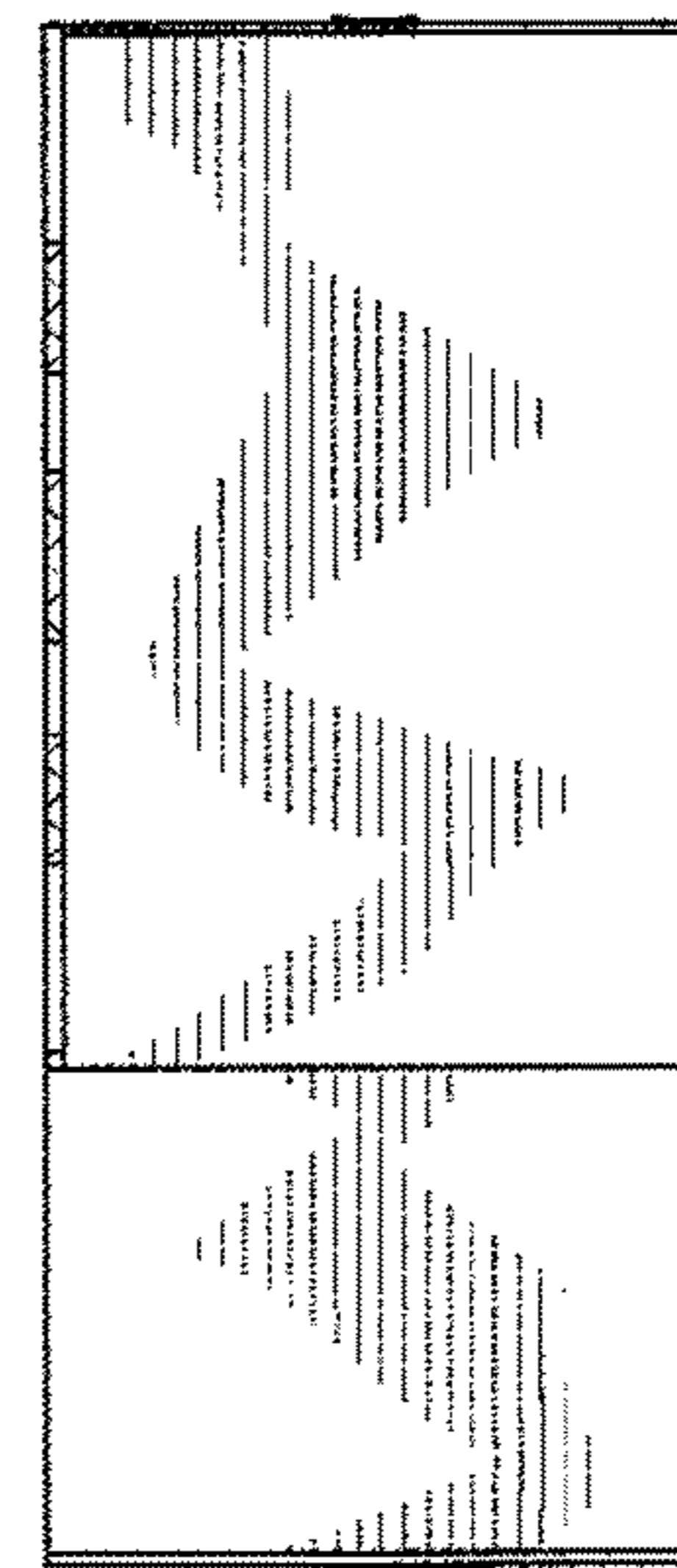


FIG. 7