



US00D641245S

(12) **United States Design Patent**  
**Rodriguez et al.**

(10) **Patent No.:** **US D641,245 S**  
(45) **Date of Patent:** **\*\* Jul. 12, 2011**

(54) **COSMETIC CONTAINER**

(75) Inventors: **Yamilca Del Carmen Rodriguez**, Cincinnati, OH (US); **Jacqueline Ann Daniels**, Hamilton, OH (US); **Norman Henry Tiilikka**, West Chester, OH (US); **Brian Joseph Sullivan**, Milford, OH (US)

(73) Assignee: **The Procter & Gamble Company**, Cincinnati, OH (US)

(\*\*) Term: **14 Years**

(21) Appl. No.: **29/338,408**

(22) Filed: **Jun. 10, 2009**

(51) **LOC (9) Cl.** ..... **09-01**

(52) **U.S. Cl.** ..... **D9/529; D9/454; D9/558; D28/76**

(58) **Field of Classification Search** ..... D9/435, D9/454, 500, 503, 504, 516, 517, 519, 529, D9/549, 554, 558, 572, 573, 574, 434, 445, D9/530, 537-539, 545, 550, 551, 552; D28/73, D28/91, 76-79, 82; 215/381-385, 379; 220/660, 220/662, 669-674, 675, 677, 680; 206/581, 206/823; 132/293

See application file for complete search history.

(56) **References Cited**

**U.S. PATENT DOCUMENTS**

D24,203 S *	4/1895	Estes	.....	D9/504
D26,315 S *	11/1896	Miller	.....	D9/504
2,076,549 A *	4/1937	Conner	.....	215/6
D134,044 S *	10/1942	Vaughn	.....	D28/91
2,304,531 A *	12/1942	Bloom et al.	.....	220/522
D223,691 S *	5/1972	Newman	.....	D28/77

(Continued)

**FOREIGN PATENT DOCUMENTS**

WO DM/070935 4/2009

**OTHER PUBLICATIONS**

USPTO Office Action rejections/objections from co-pending U.S. Appl. No. 29/318,083, filed May 13, 2008, Inventor: Yamilca Del Carmen Rodriguez, et al., mail date Dec. 29, 2009; 8 pages.

(Continued)

*Primary Examiner* — Stella Reid

*Assistant Examiner* — Elizabeth J Oswecki

(74) *Attorney, Agent, or Firm* — Eric T. Addington; S. Robert Chuey; James C. Vago

(57) **CLAIM**

The ornamental design for a cosmetic container, as shown and described.

**DESCRIPTION**

FIG. 1 is a perspective view of a first embodiment of a cosmetic container showing our new design wherein said embodiment features an outer body of sufficient translucence or transparency such that the inner chamber is apparent through said outer body of the cosmetic container,

FIG. 2 is front elevation view of FIG. 1,

FIG. 3 is a side elevation view of FIG. 1,

FIG. 4 is a top plan view of FIG. 1, and

FIG. 5 is a bottom plan view of FIG. 1; and

FIG. 6 is a perspective view of a second embodiment of a cosmetic container showing our new design wherein said embodiment features an outer body of sufficient translucence or transparency such that the inner chamber is apparent through said outer body of the cosmetic container and wherein stippling represents a surface having a color that contrasts with the color of a surface not including stippling,

FIG. 7 is front elevation view of FIG. 6,

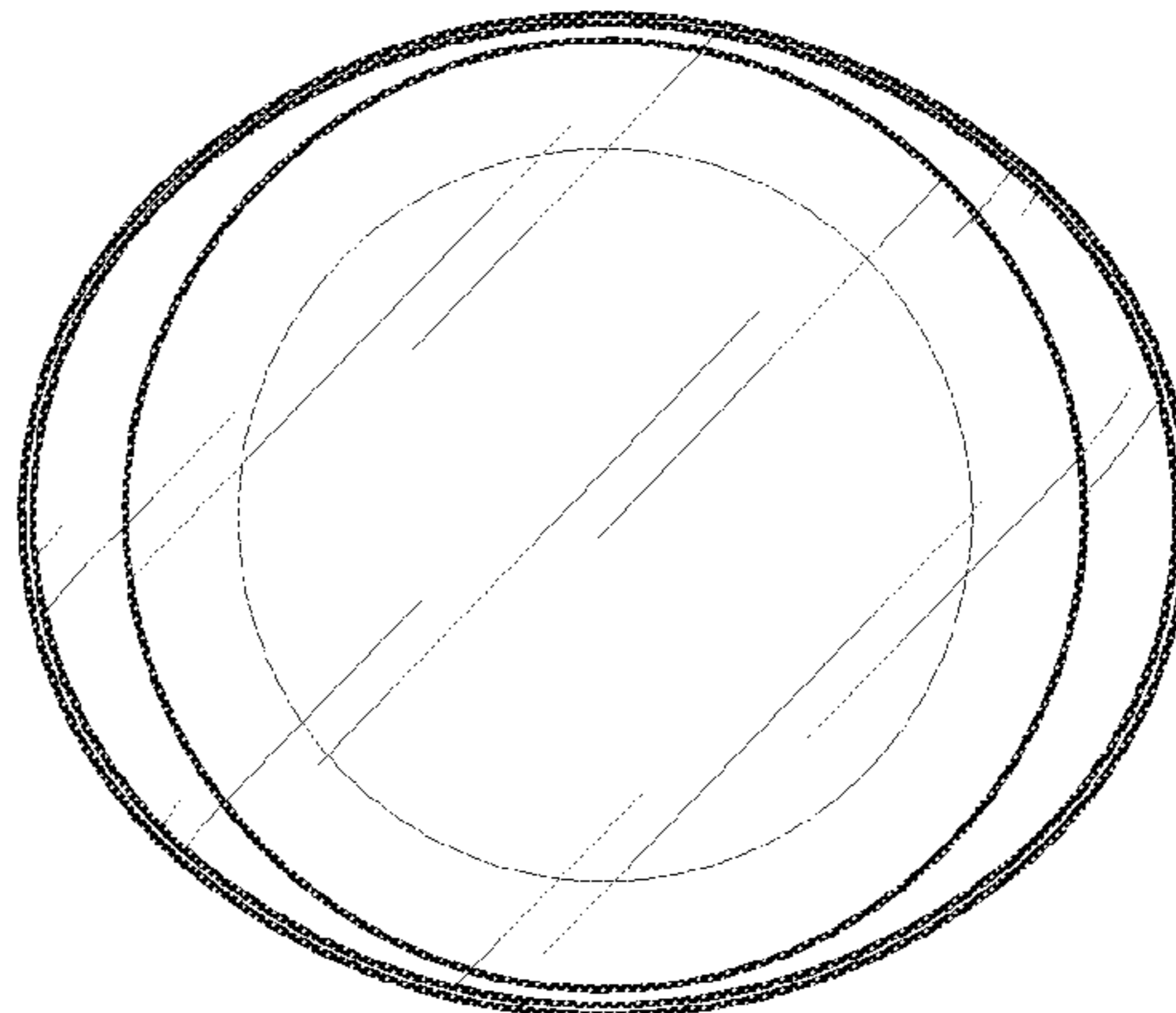
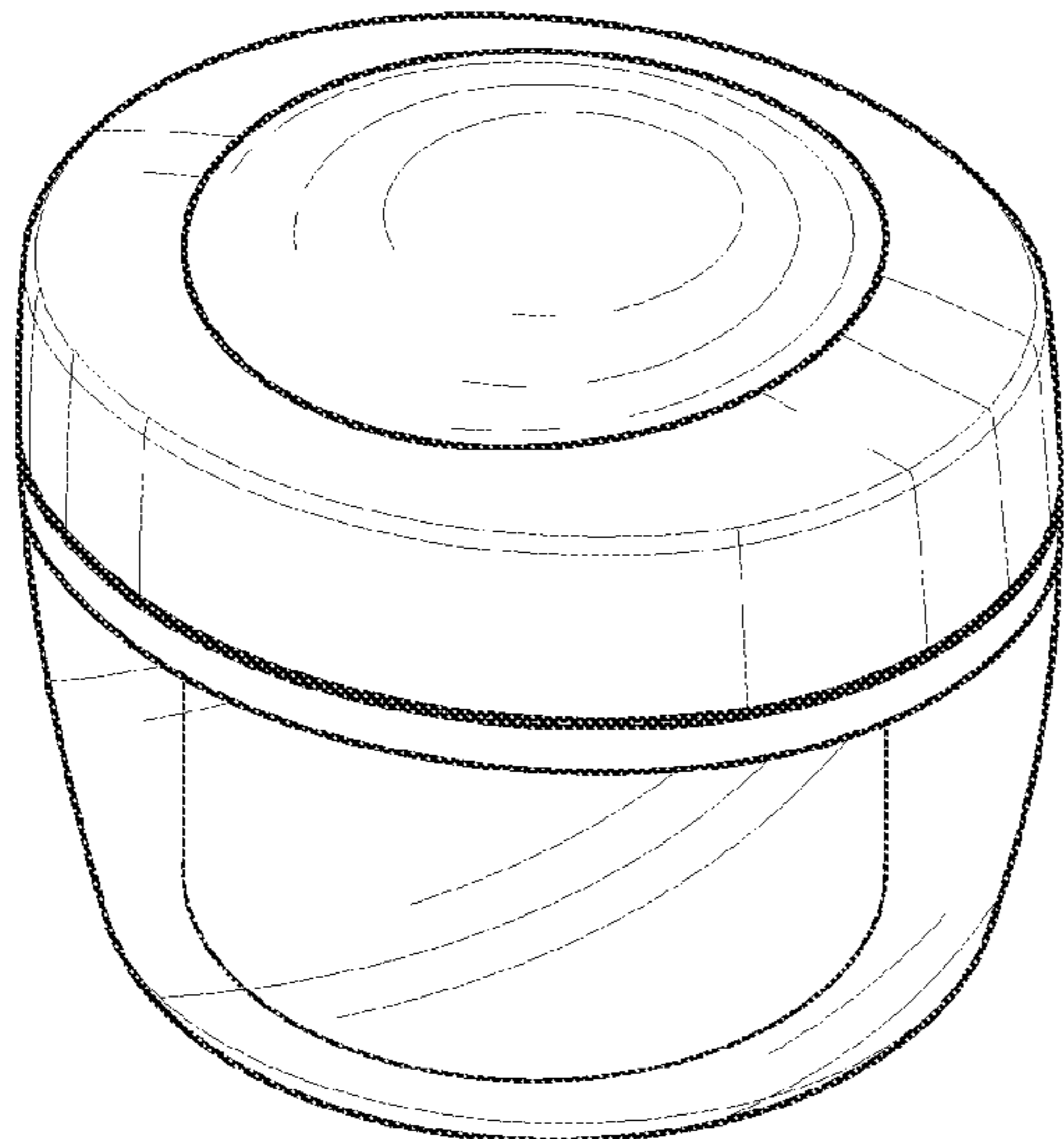
FIG. 8 is a side elevation view of FIG. 6,

FIG. 9 is a top plan view of FIG. 6; and

FIG. 10 is a bottom plan view of FIG. 6.

Sides not shown form no part of the claimed design.

**1 Claim, 6 Drawing Sheets**



# US D641,245 S

Page 2

## U.S. PATENT DOCUMENTS

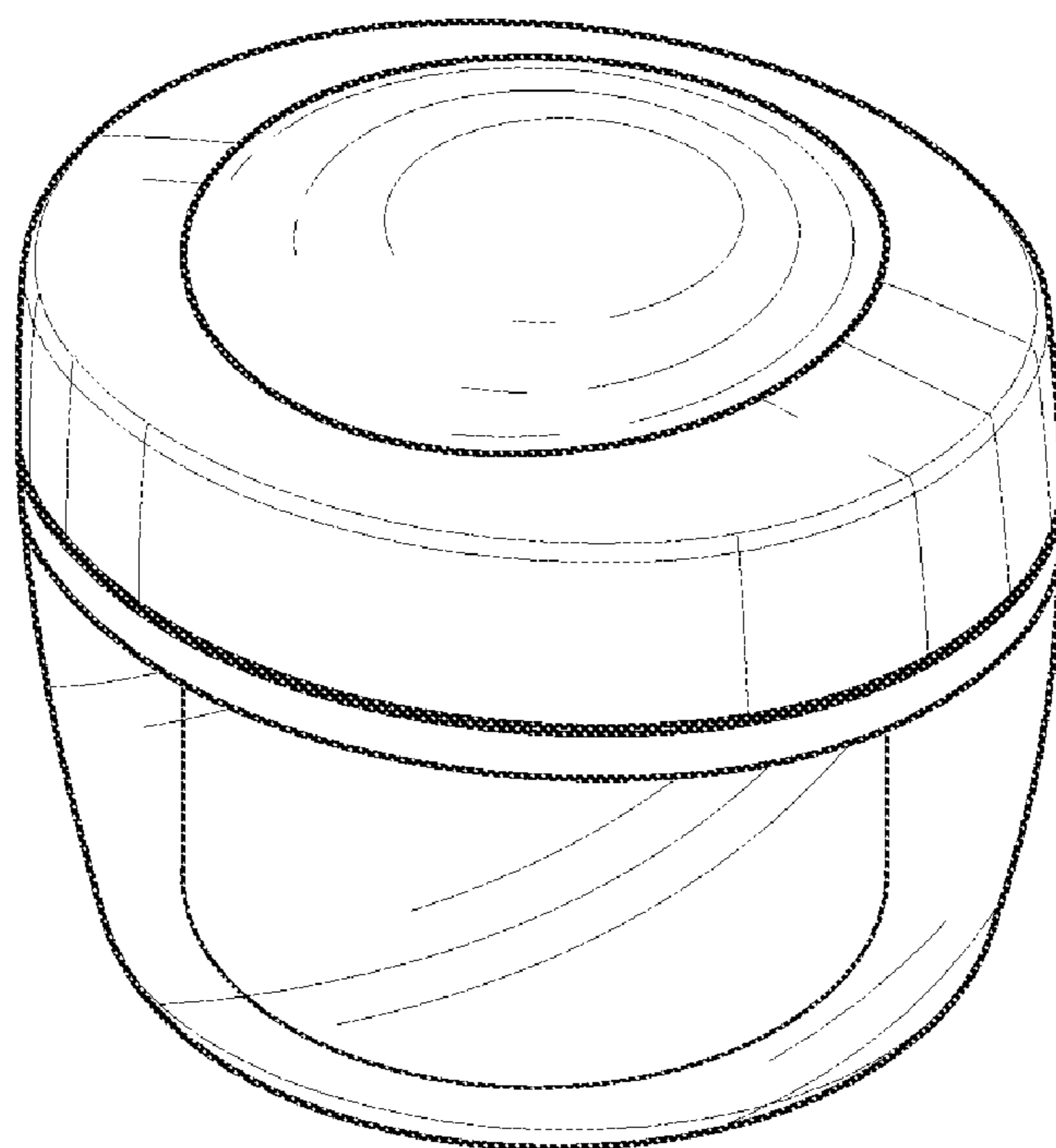
D231,968 S 7/1974 Juhlin  
4,429,798 A \* 2/1984 Borows ..... 215/12.1  
D371,970 S 7/1996 Desgrippes  
D392,889 S \* 3/1998 Liu ..... D9/504  
D403,589 S \* 1/1999 Wong ..... D9/529  
D408,590 S \* 4/1999 Litton ..... D28/82  
6,047,710 A \* 4/2000 Irving et al. .... 132/293  
D434,667 S \* 12/2000 Gobe ..... D9/529  
D446,456 S \* 8/2001 Adachi et al. .... D9/529  
D467,805 S \* 12/2002 Restrepo ..... D9/500  
D472,019 S \* 3/2003 Murata ..... D28/91  
D474,978 S \* 5/2003 Varlet ..... D9/549  
D477,536 S \* 7/2003 Kudo et al. .... D9/522  
D481,830 S \* 11/2003 Murata ..... D28/91  
D484,644 S \* 12/2003 Noh ..... D28/76  
D490,709 S \* 6/2004 Bezek ..... D9/444  
D491,288 S \* 6/2004 Young ..... D9/558  
D493,721 S \* 8/2004 Puigbo ..... D9/504  
D494,472 S \* 8/2004 Lewis et al. .... D9/501  
D499,648 S \* 12/2004 Lewis et al. .... D9/501  
D504,542 S \* 4/2005 Noh ..... D28/76  
D504,615 S 5/2005 Papiernik  
6,923,347 B2 \* 8/2005 Winckels ..... 222/206  
D520,370 S \* 5/2006 Priestman ..... D9/529  
D522,695 S \* 6/2006 Desdoigts ..... D28/82  
D525,136 S \* 7/2006 Bakic ..... D9/522  
D532,937 S \* 11/2006 Noh ..... D28/76  
D540,689 S \* 4/2007 Dorfmueller ..... D9/560  
D547,661 S 7/2007 Blasko  
D555,835 S \* 11/2007 Song ..... D28/76  
D561,943 S 2/2008 Desdoights  
D565,412 S \* 4/2008 Fuller ..... D9/503  
D581,279 S \* 11/2008 Oates ..... D9/529

D581,280 S \* 11/2008 Oates ..... D9/529  
D582,283 S \* 12/2008 O'Donahue ..... D9/529  
D584,950 S \* 1/2009 Courtaigne Delalande ... D9/529  
D585,599 S \* 1/2009 Mongeon et al. .... D28/76  
D588,011 S \* 3/2009 Shimizu ..... D9/552  
D595,136 S \* 6/2009 Canamasas Puigbo ..... D9/529  
D595,577 S 7/2009 Uneno  
D595,578 S 7/2009 Del Tedesco  
D597,409 S 8/2009 Ruybal  
D603,266 S \* 11/2009 Dibnah et al. .... D9/529  
D605,523 S \* 12/2009 Dibnah et al. .... D9/549  
D610,460 S \* 2/2010 Nagata ..... D9/504  
D613,168 S \* 4/2010 Rowland et al. .... D9/504  
D615,867 S \* 5/2010 Sagaseki et al. .... D9/529  
D615,868 S 5/2010 Rodriguez et al.

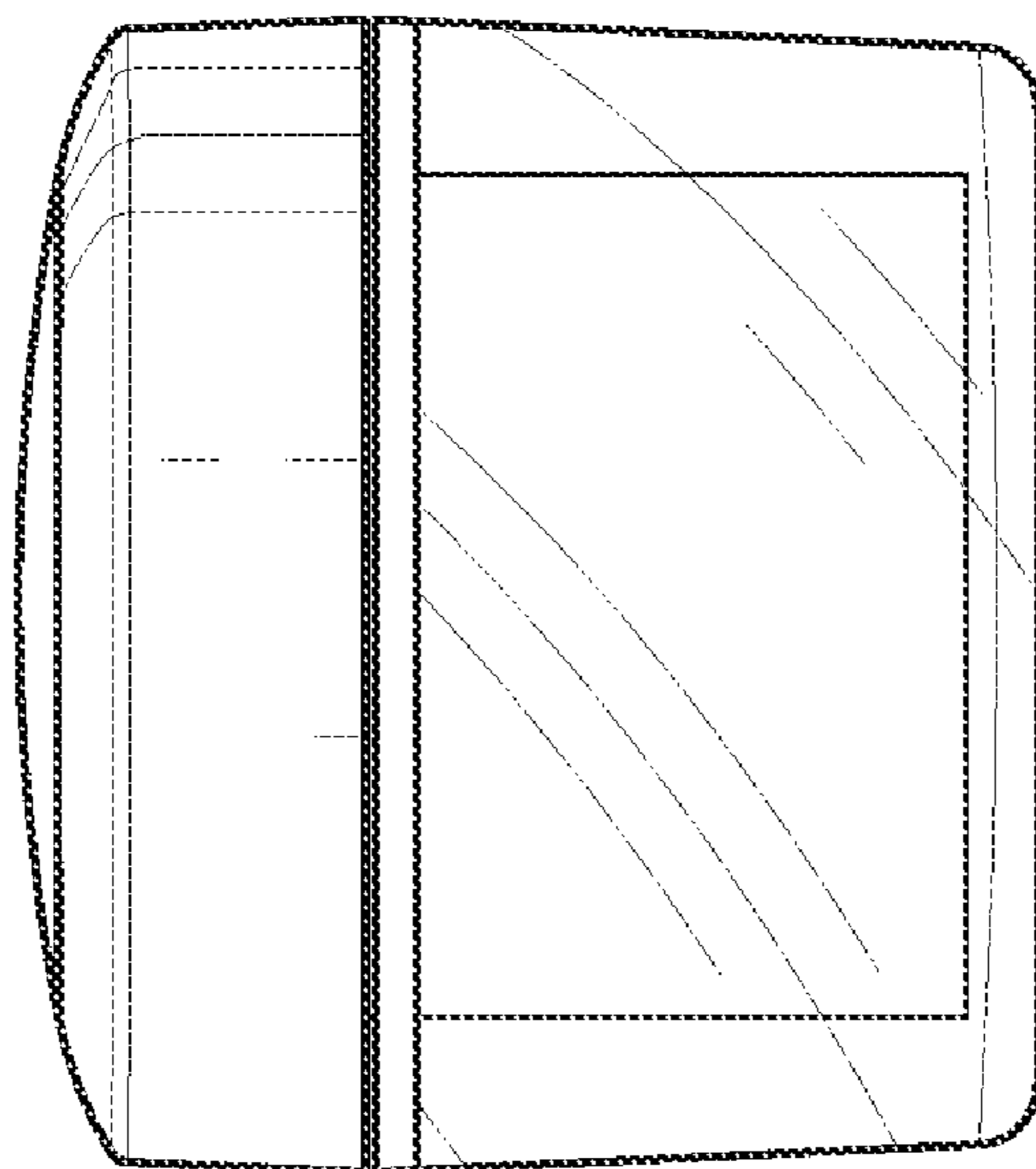
## OTHER PUBLICATIONS

USPTO Office Action rejections/objections from co-pending U.S. Appl. No. 29/338,394, filed Jun. 10, 2009, Inventor: Yamilca Del Carmen Rodriguez, et al., mail date Apr. 1, 2010; 7 pages.  
U.S. Appl. No. 29/318,083, filed May 13, 2008, Yamilca del Carmen Rodriguez, et al.  
U.S. Appl. No. 29/338,394, filed Jun. 10, 2009, Yamilca del Carmen Rodriguez, et al.  
U.S. Appl. No. 29/338,776, filed Jun. 18, 2009, Jacqueline Ann Daniels, et al.  
"Recommendation Concerning Bibliographic Data Relating to Industrial Designs (Identification and Minimum Requirements)", Handbook on Industrial Property Information and Documentation, Feb. 2004, 5 pages.

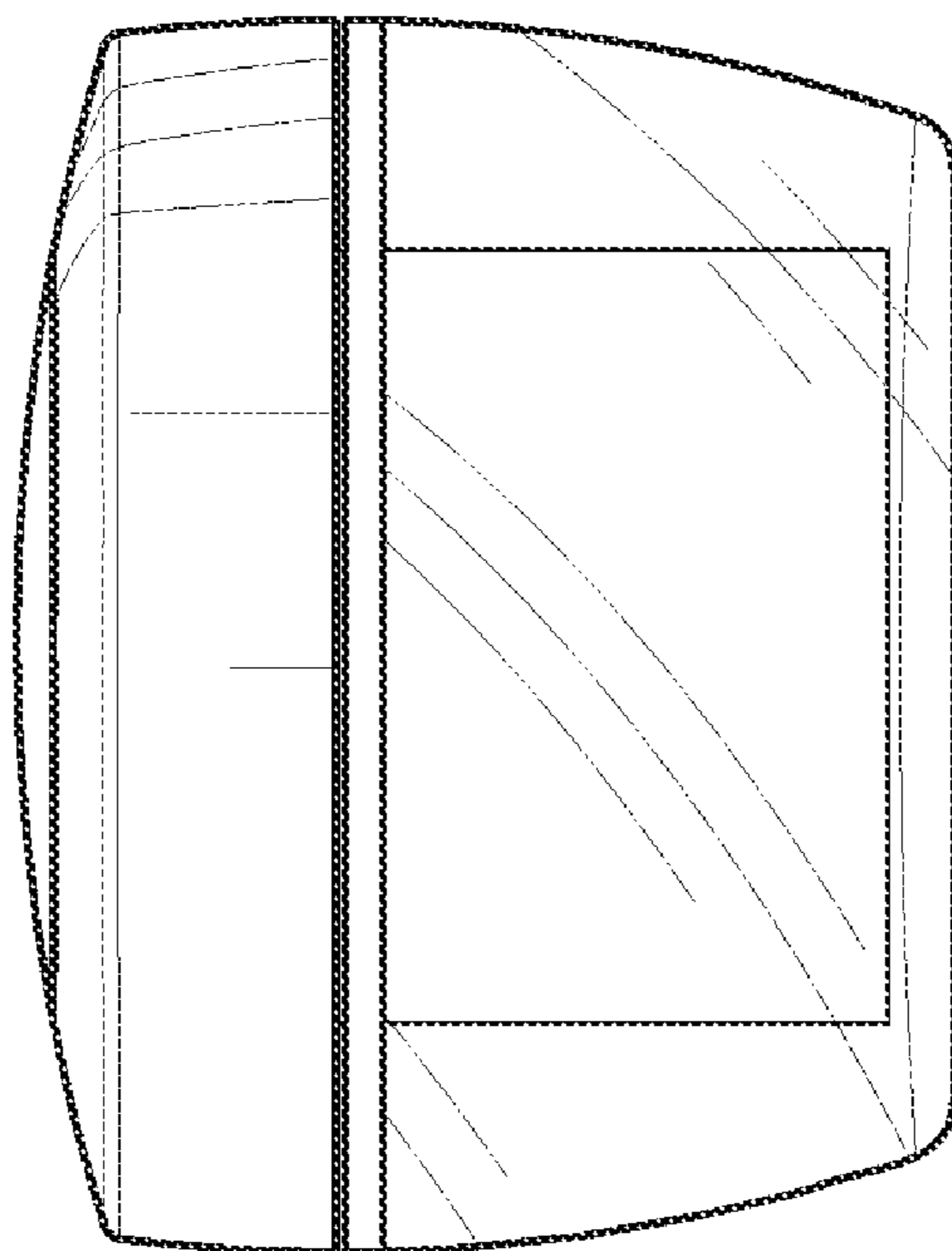
\* cited by examiner



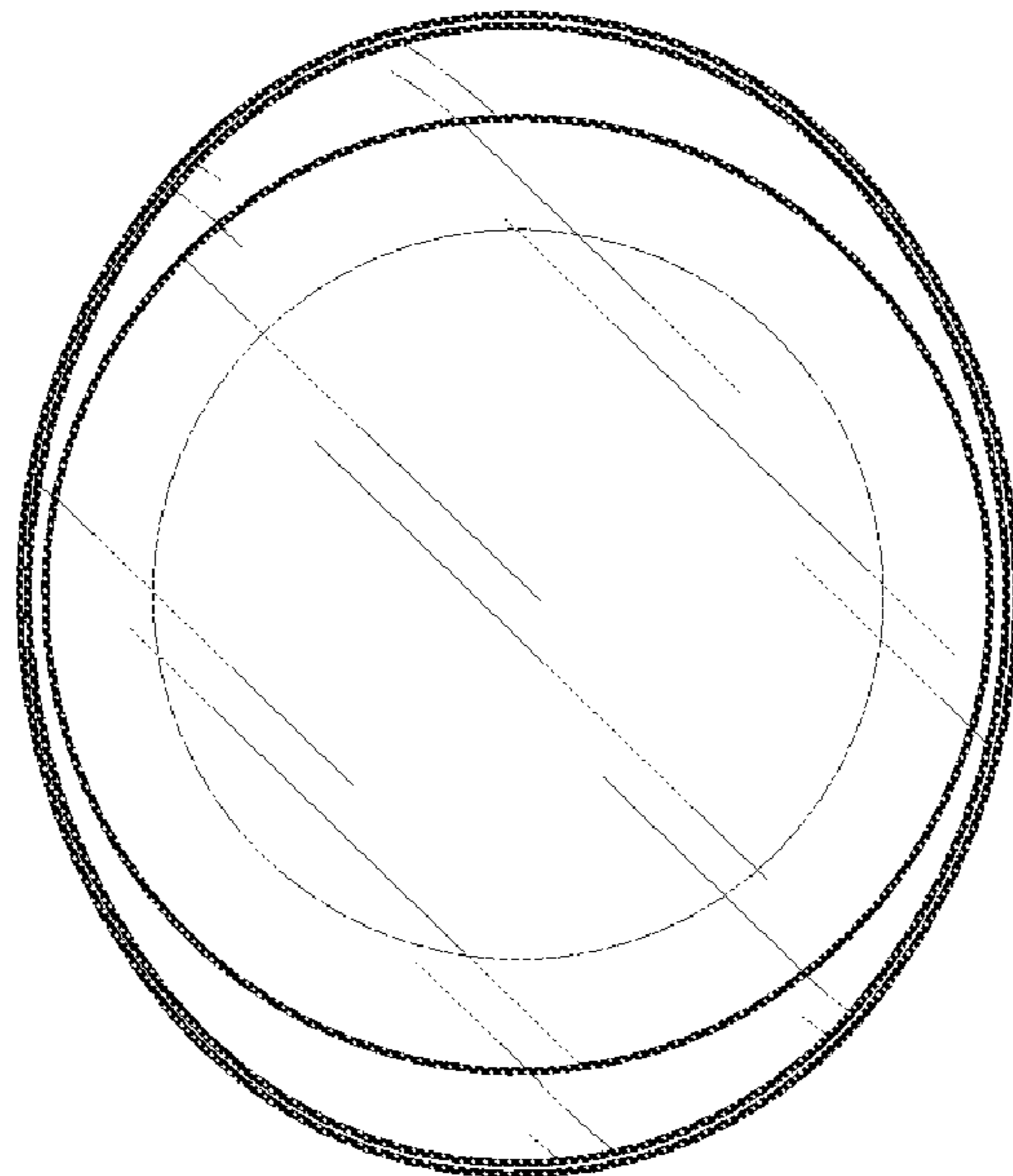
***Fig. 1***



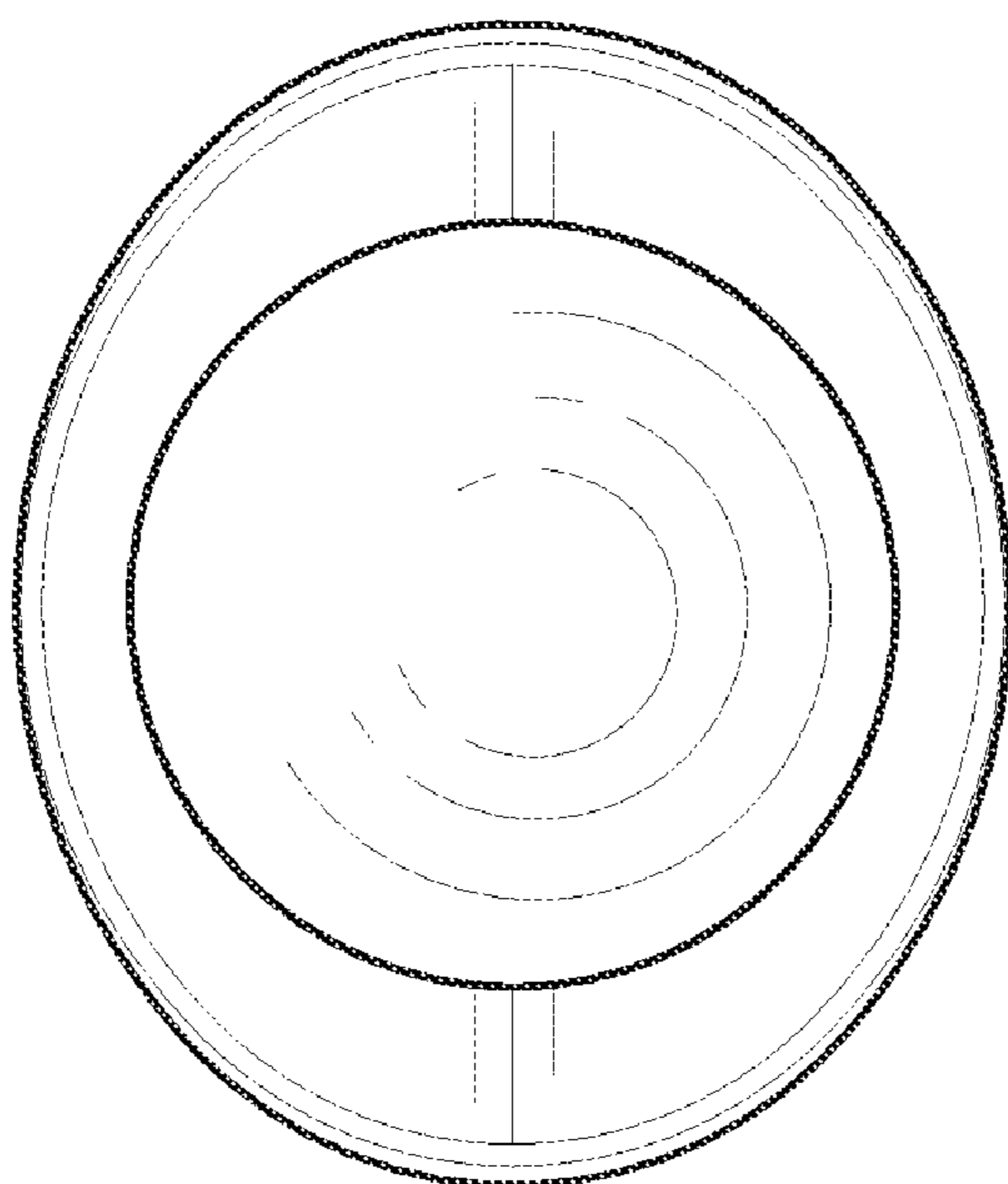
**Fig. 3**



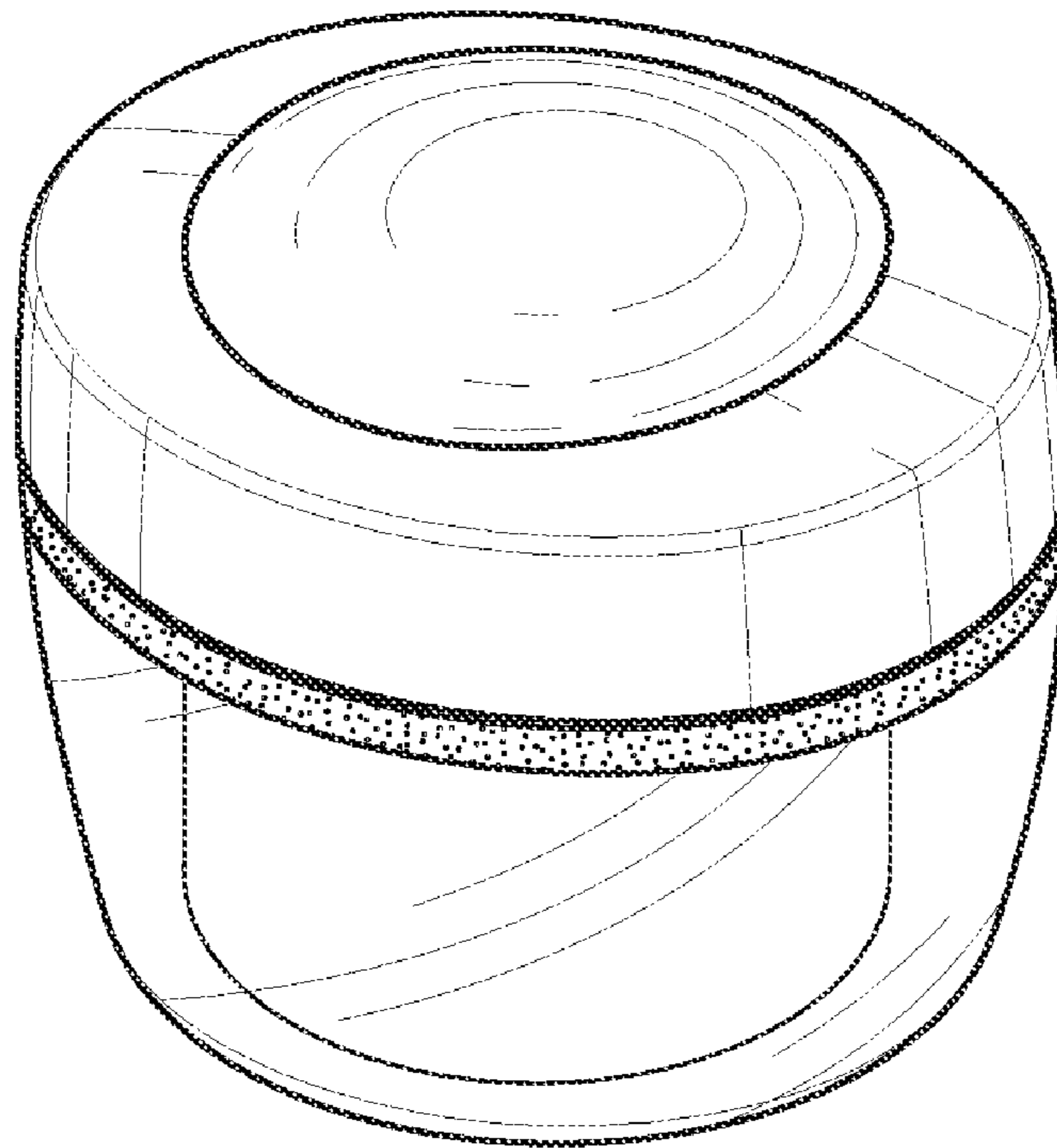
**Fig. 2**



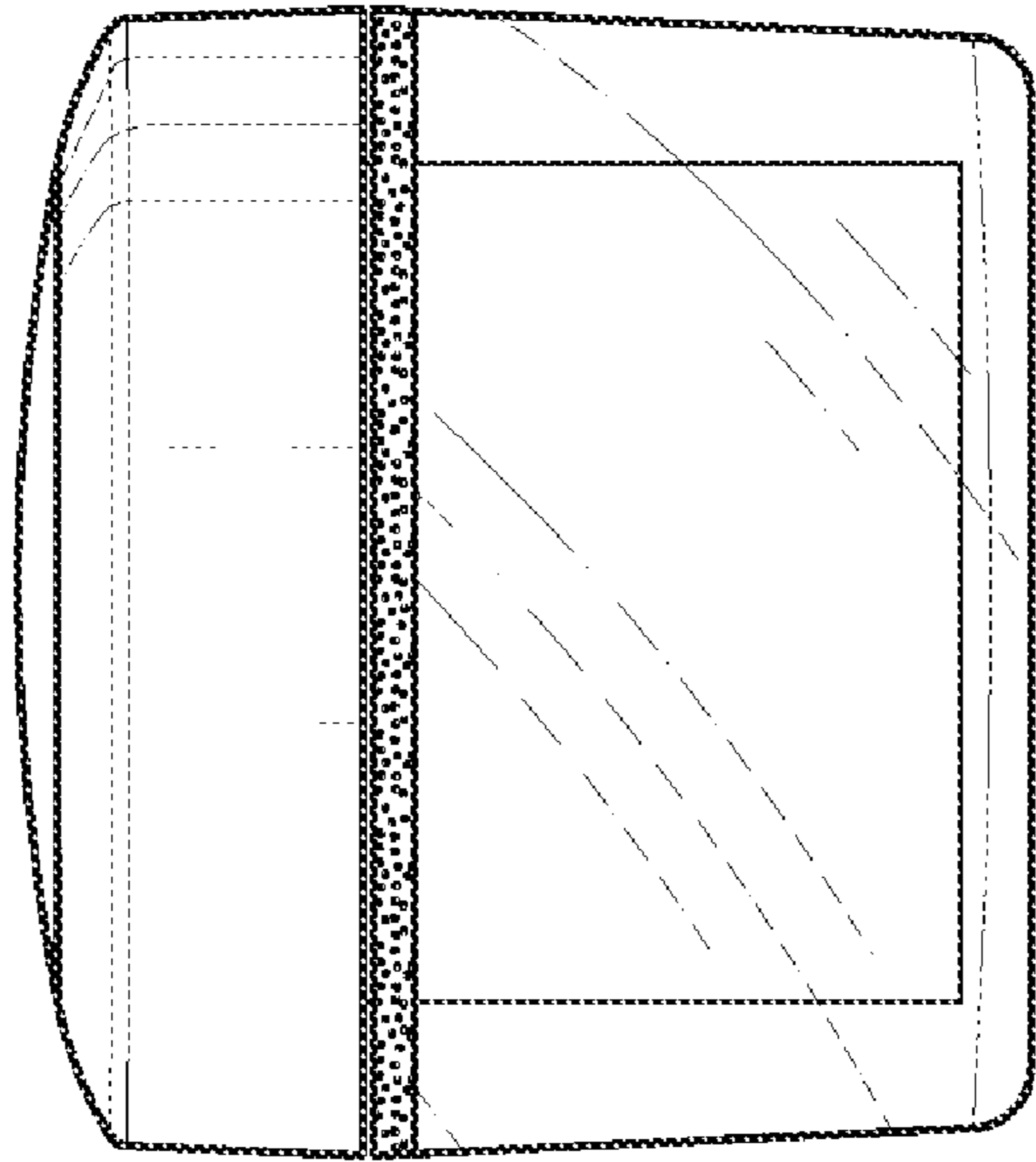
**Fig. 5**



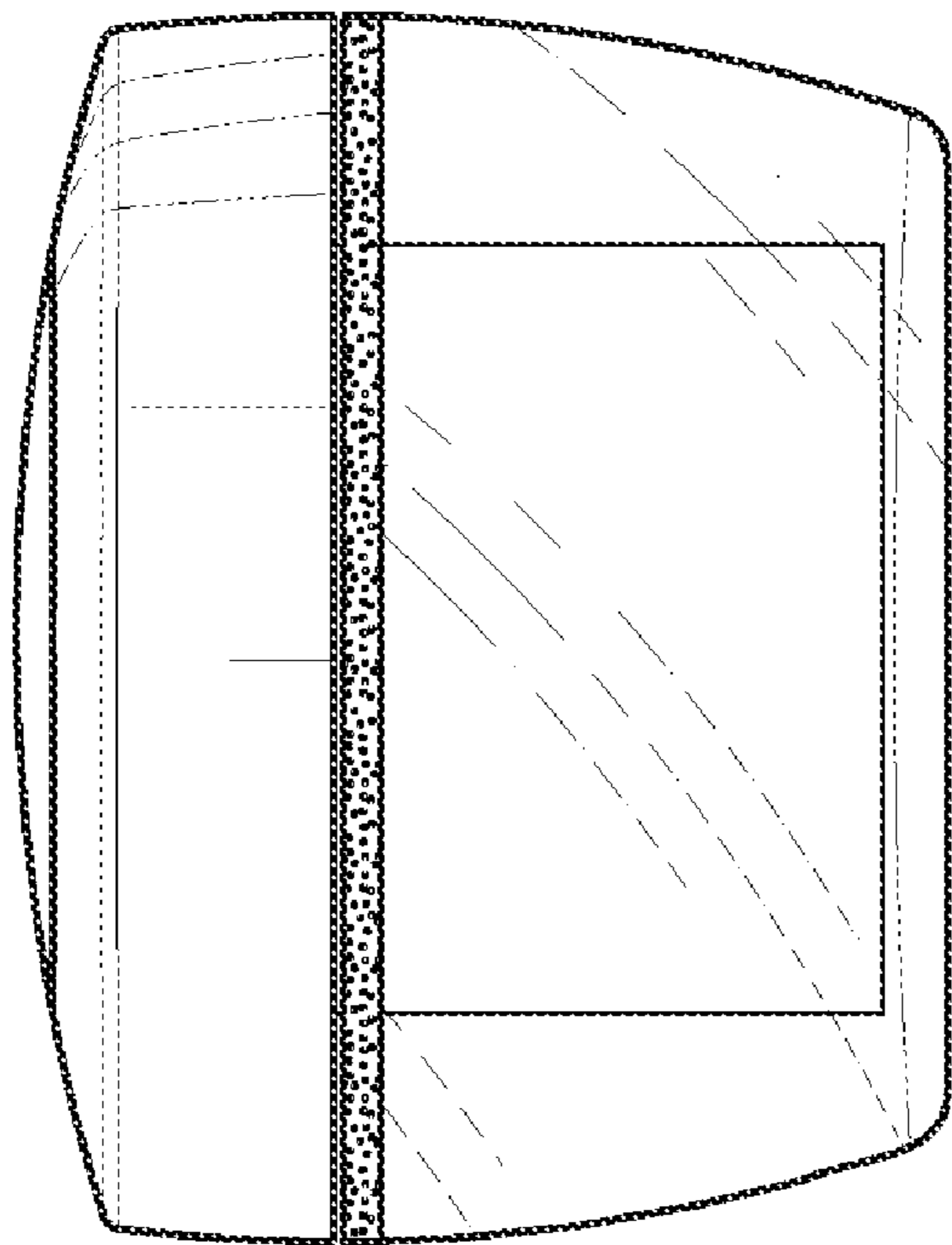
**Fig. 4**



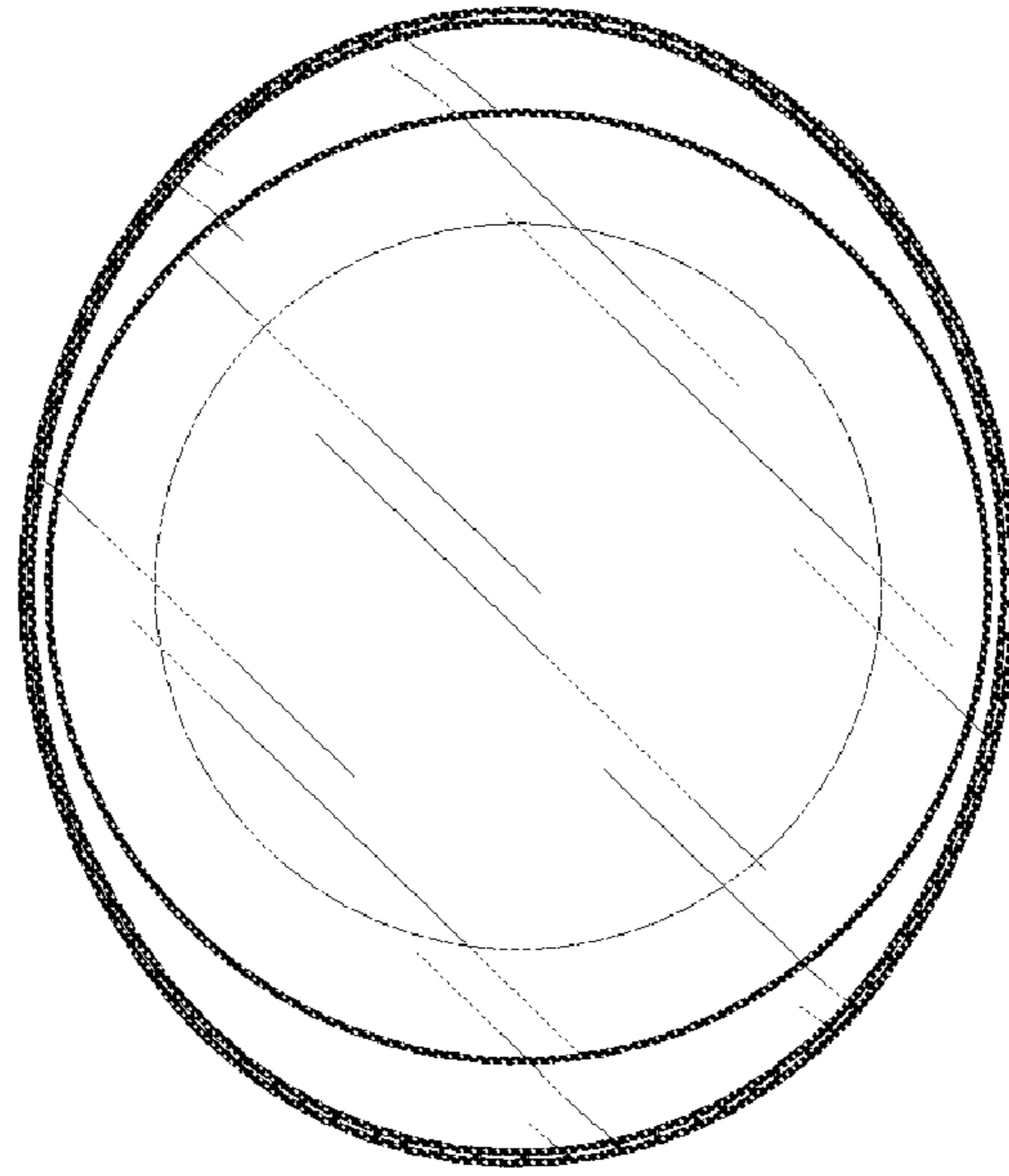
***Fig. 6***



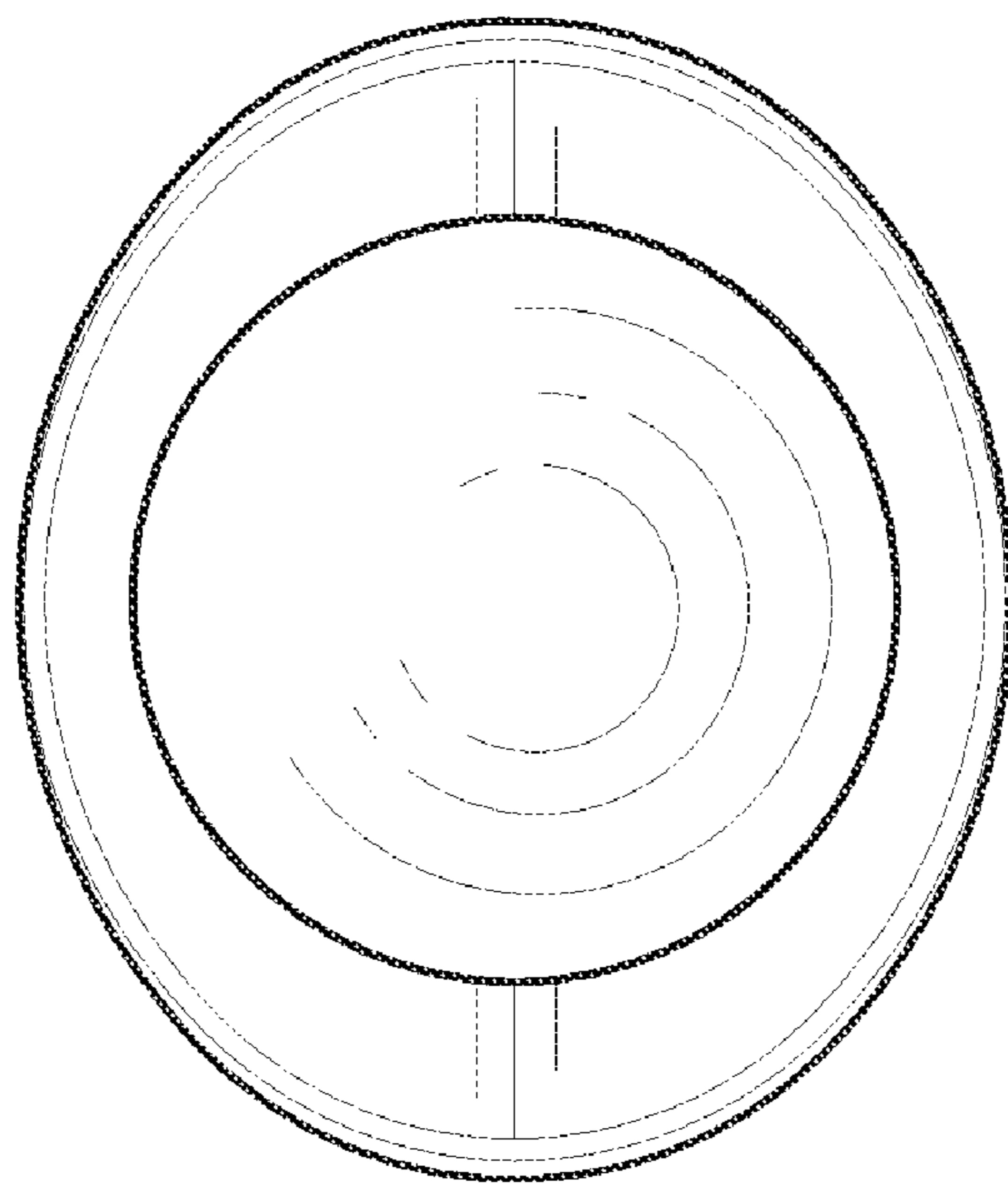
**Fig. 8**



**Fig. 7**



**Fig. 9**



**Fig. 10**