



US00D641241S

(12) **United States Design Patent**  
**Goto et al.**

(10) **Patent No.:** **US D641,241 S**  
(45) **Date of Patent:** **\*\* Jul. 12, 2011**

(54) **PLUG BODY FOR DRINK CONTAINER**

(56) **References Cited**

(75) Inventors: **Norifumi Goto**, Ichinomiya (JP);  
**Nobuyuki Kitamura**, Kyoto (JP)

U.S. PATENT DOCUMENTS

D298,014 S \* 10/1988 McGlyn ..... D9/446  
D529,380 S \* 10/2006 Yelland ..... D9/447  
D608,640 S \* 1/2010 Carreno ..... D9/449

(73) Assignee: **Thermos K. K.**, Niigata (JP)

\* cited by examiner

(\*\*) Term: **14 Years**

*Primary Examiner* — Susan Bennett Hattan

(74) *Attorney, Agent, or Firm* — Boyle Fredrickson, S.C.

(21) Appl. No.: **29/351,354**

(57) **CLAIM**

The ornamental design for a plug body for drink container, as shown and described.

(22) Filed: **Dec. 4, 2009**

**DESCRIPTION**

(30) **Foreign Application Priority Data**

Sep. 25, 2009 (JP) ..... 2009-022188

FIG. 1 is a perspective view from above of a plug body for drink container, showing our new design:

FIG. 2 is a rear perspective view from above thereof;

FIG. 3 is a front view thereof;

FIG. 4 is a rear view thereof;

FIG. 5 is a top plan view thereof;

FIG. 6 is a bottom plan view thereof;

FIG. 7 is a left side view thereof;

FIG. 8 is a right side view thereof; and,

FIG. 9 is a front view with an opened lid thereof.

The broken lines depict environmental subject matter and form no part of the claimed design.

(51) **LOC (9) Cl.** ..... **09-07**

(52) **U.S. Cl.** ..... **D9/449**

(58) **Field of Classification Search** ..... 215/305,  
215/306, 322; 220/260, 375, 810, 811; 222/492,  
222/494, 521; D9/423, 438, 443, 446, 447,  
D9/449, 450, 453, 529, 560, 738; D7/392.1

See application file for complete search history.

**1 Claim, 5 Drawing Sheets**

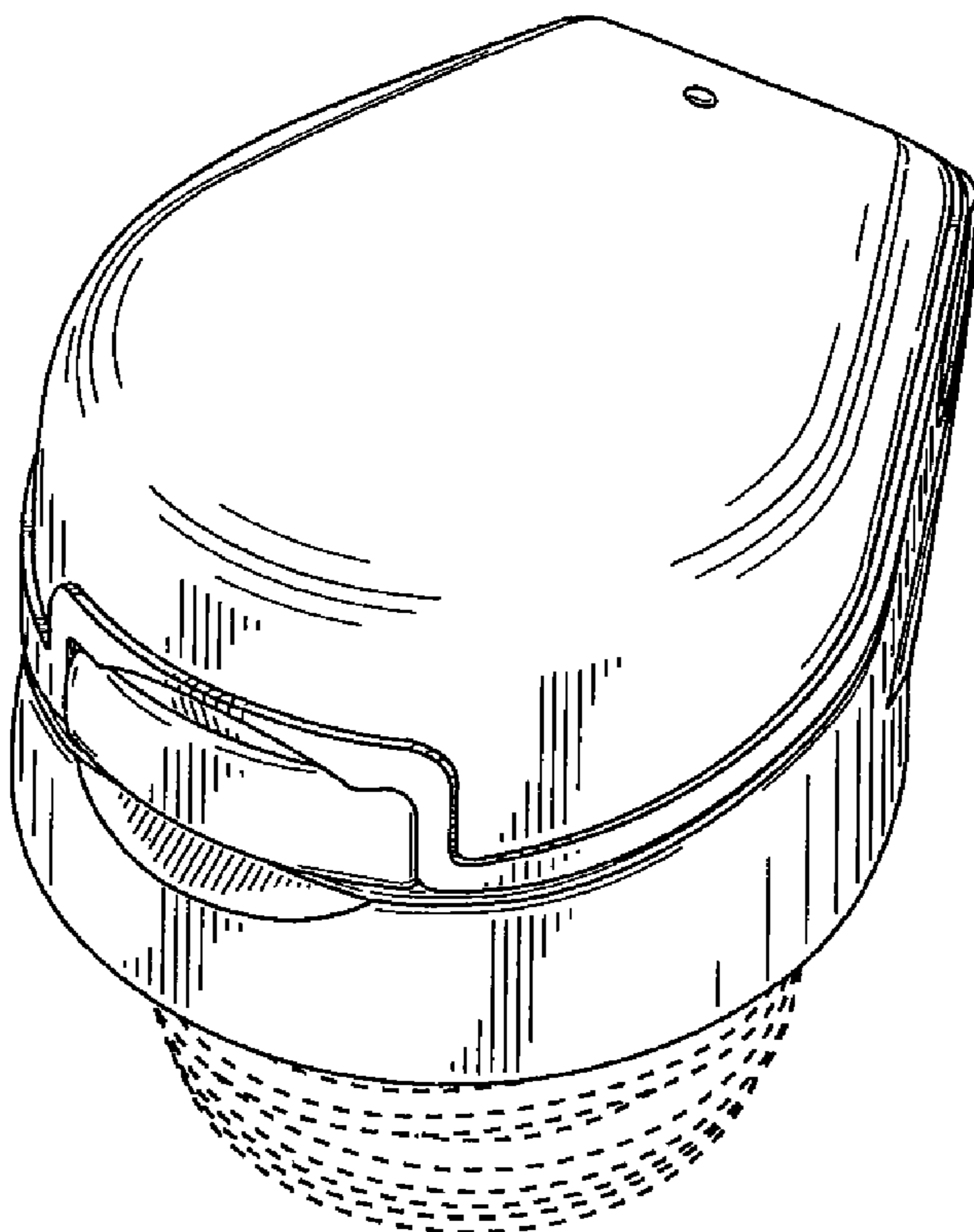


FIG.1

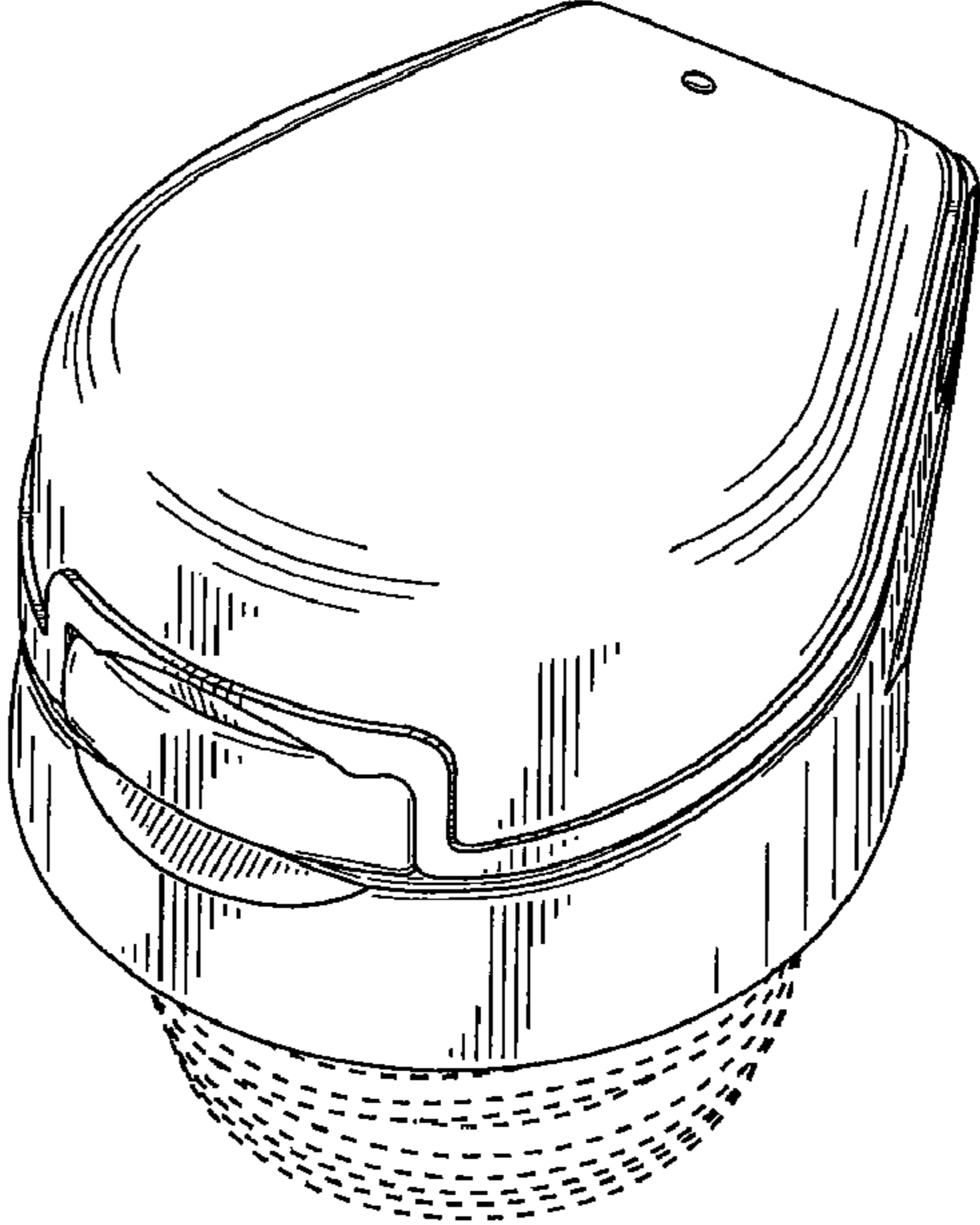


FIG.2

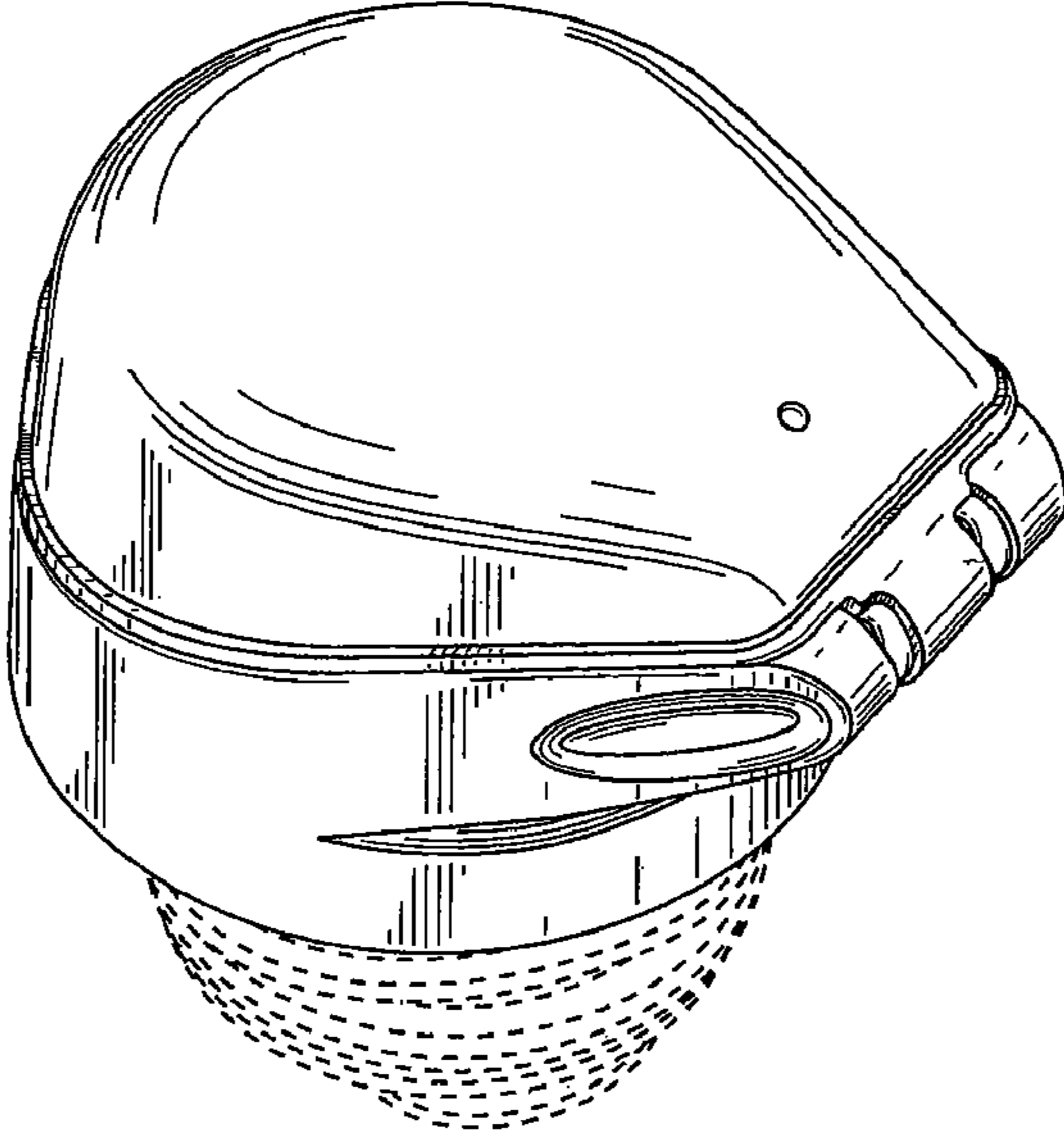


FIG.3

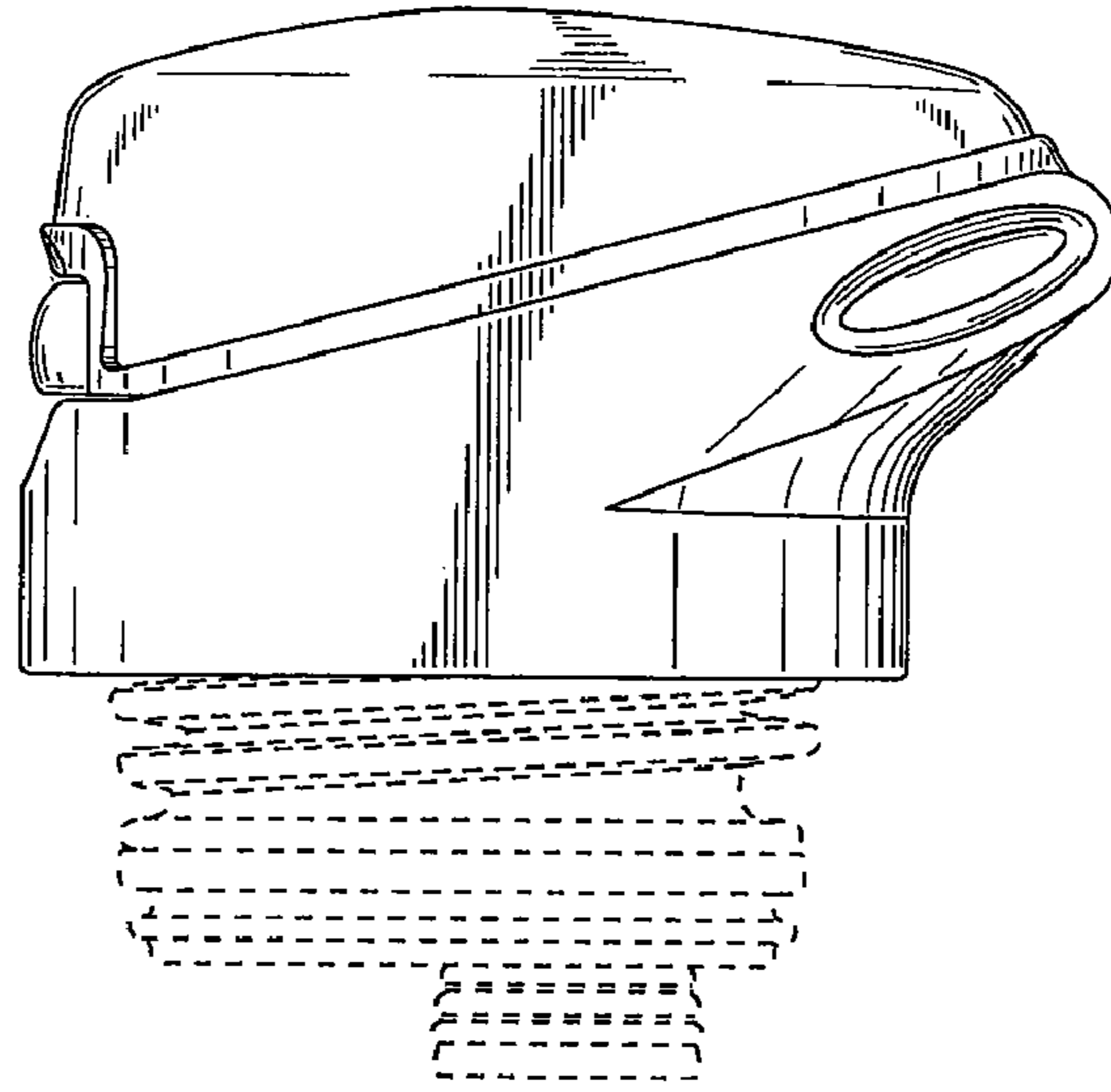


FIG.4

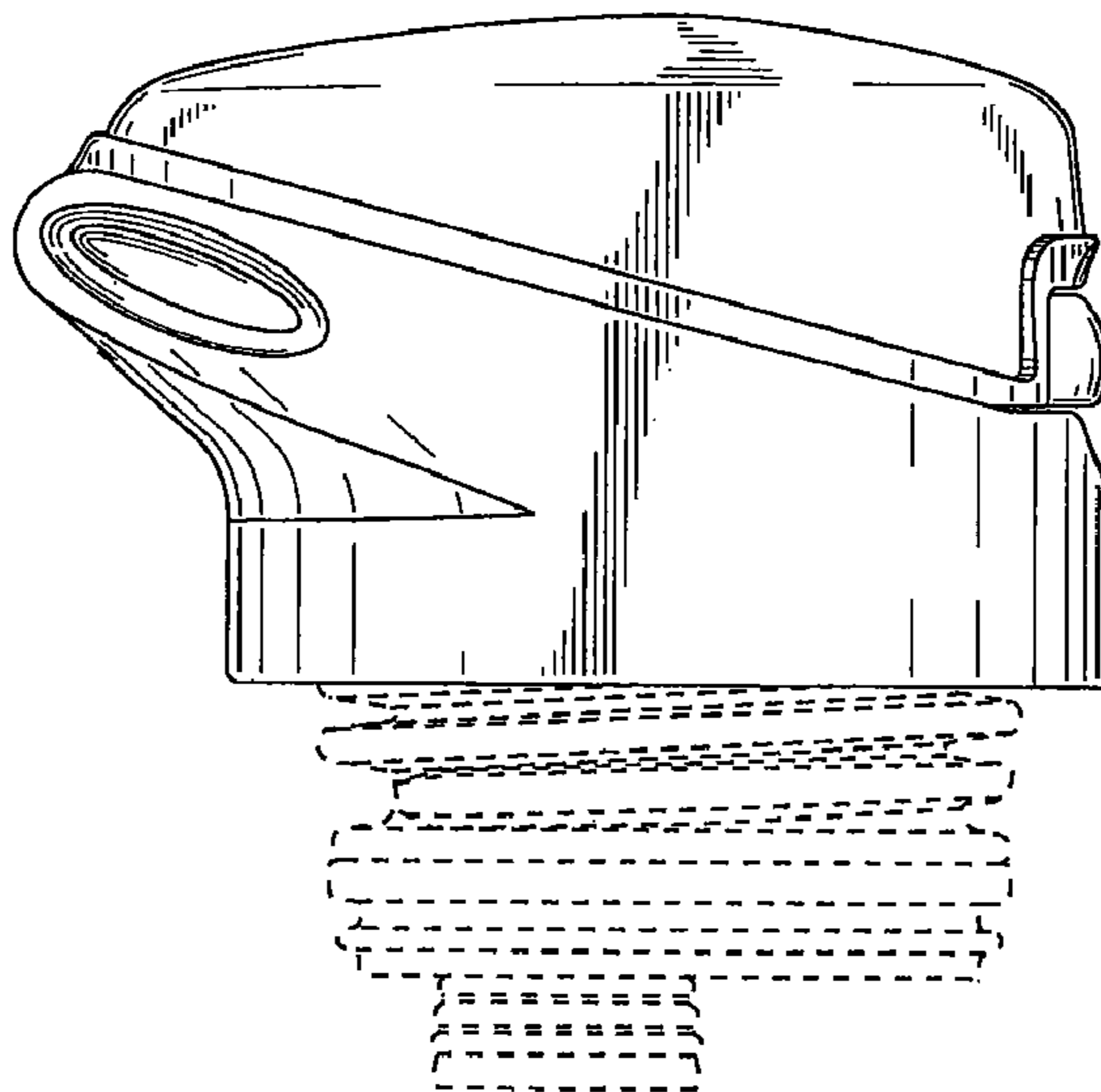


FIG.5

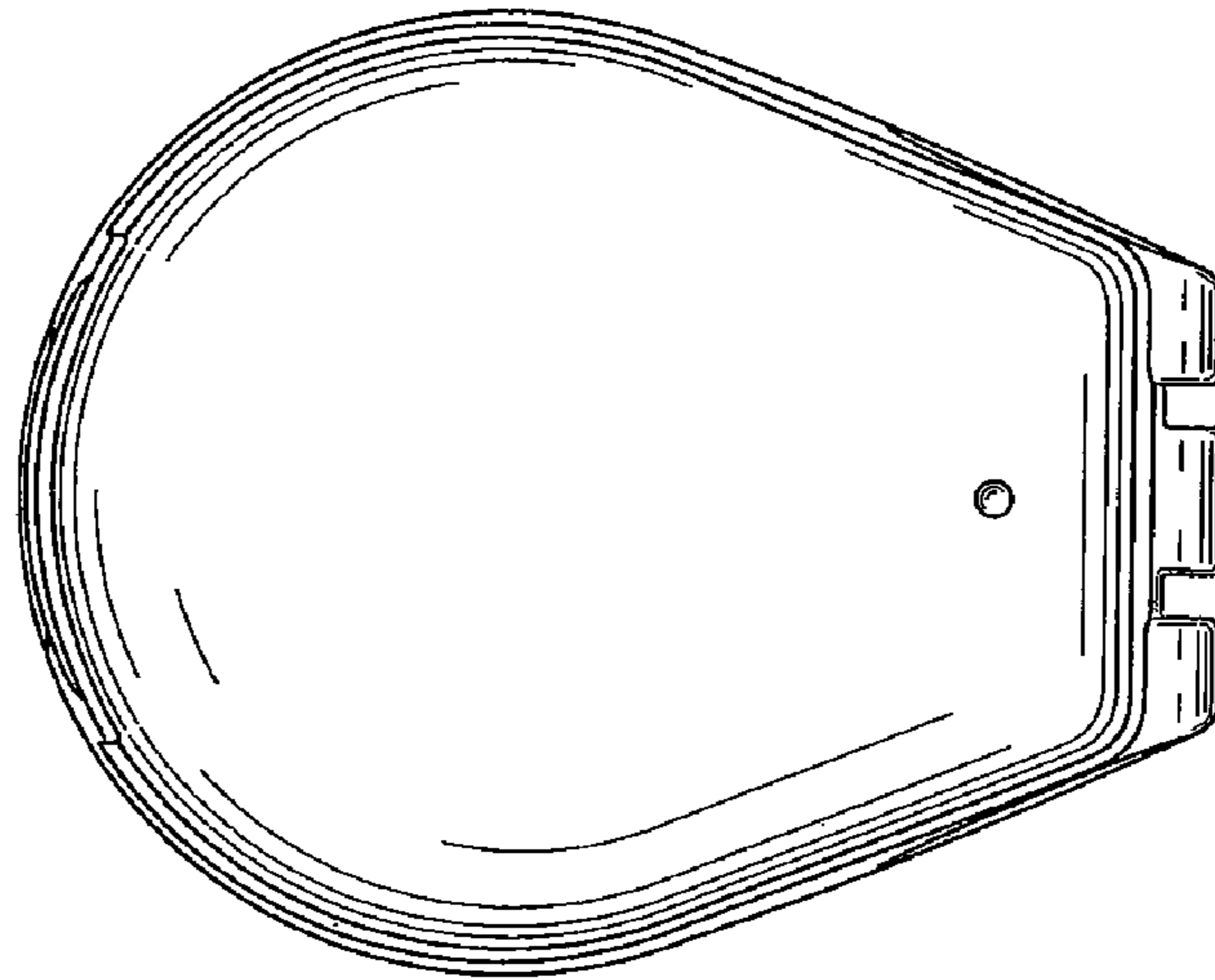


FIG.6

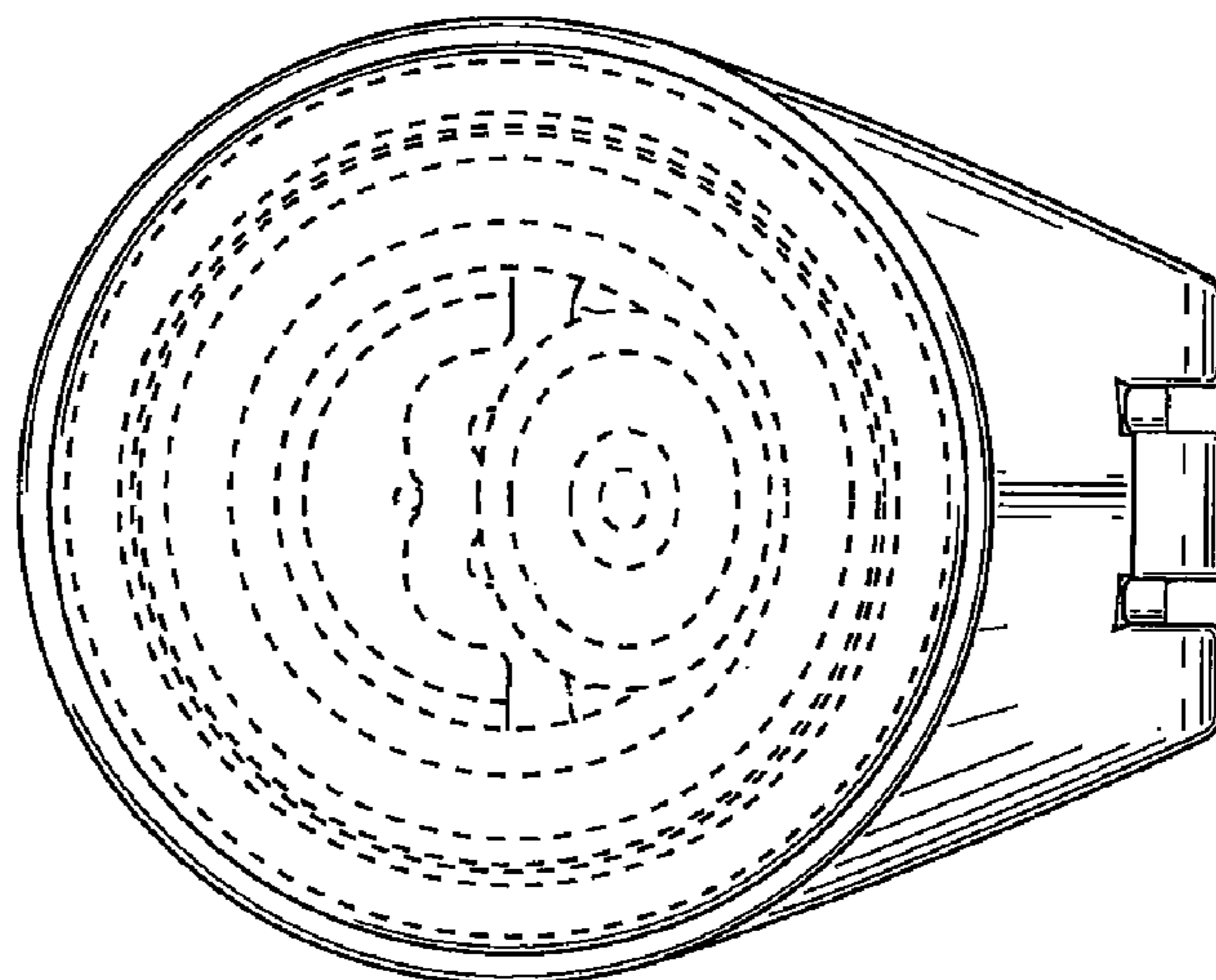


FIG.7

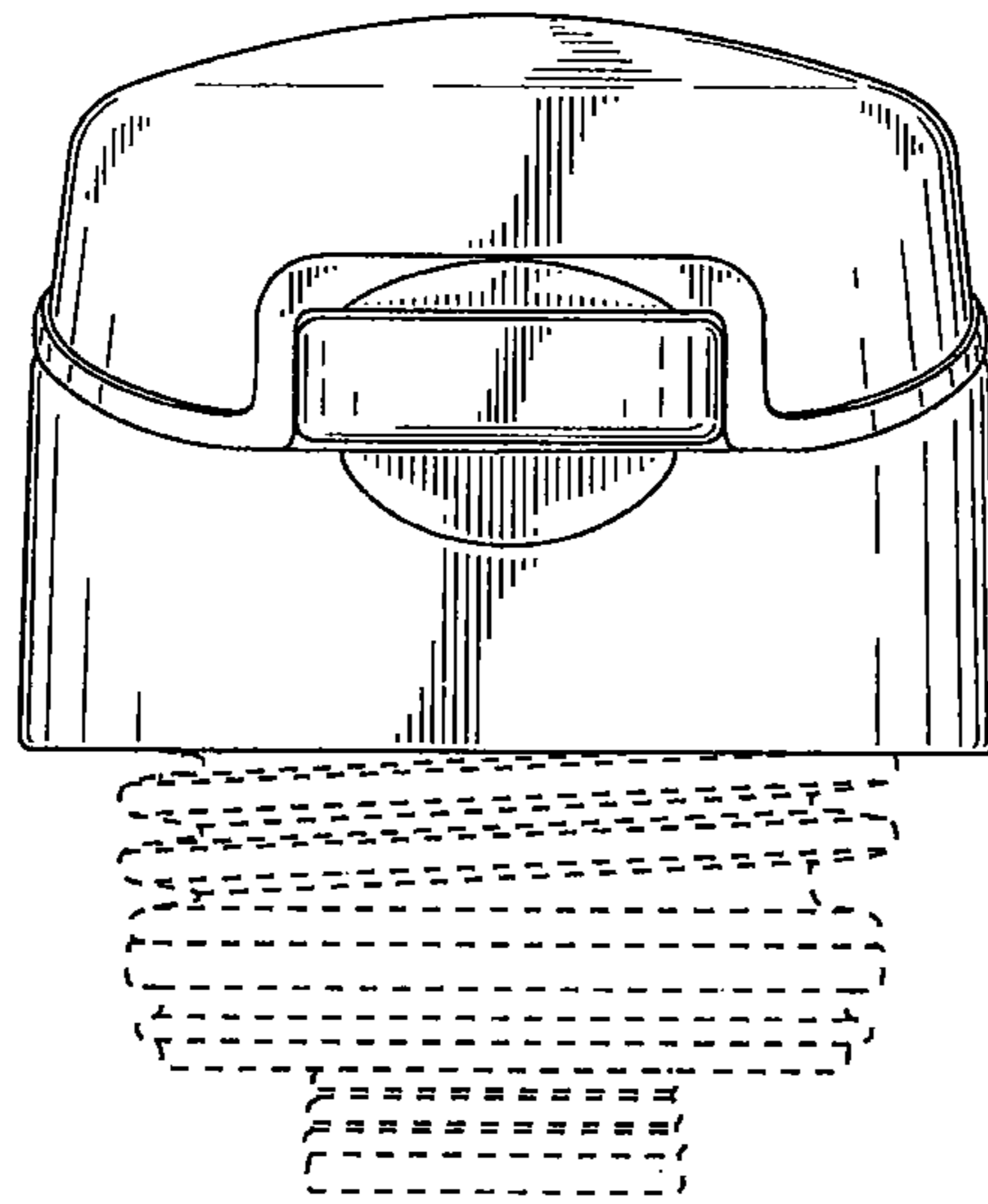


FIG.8

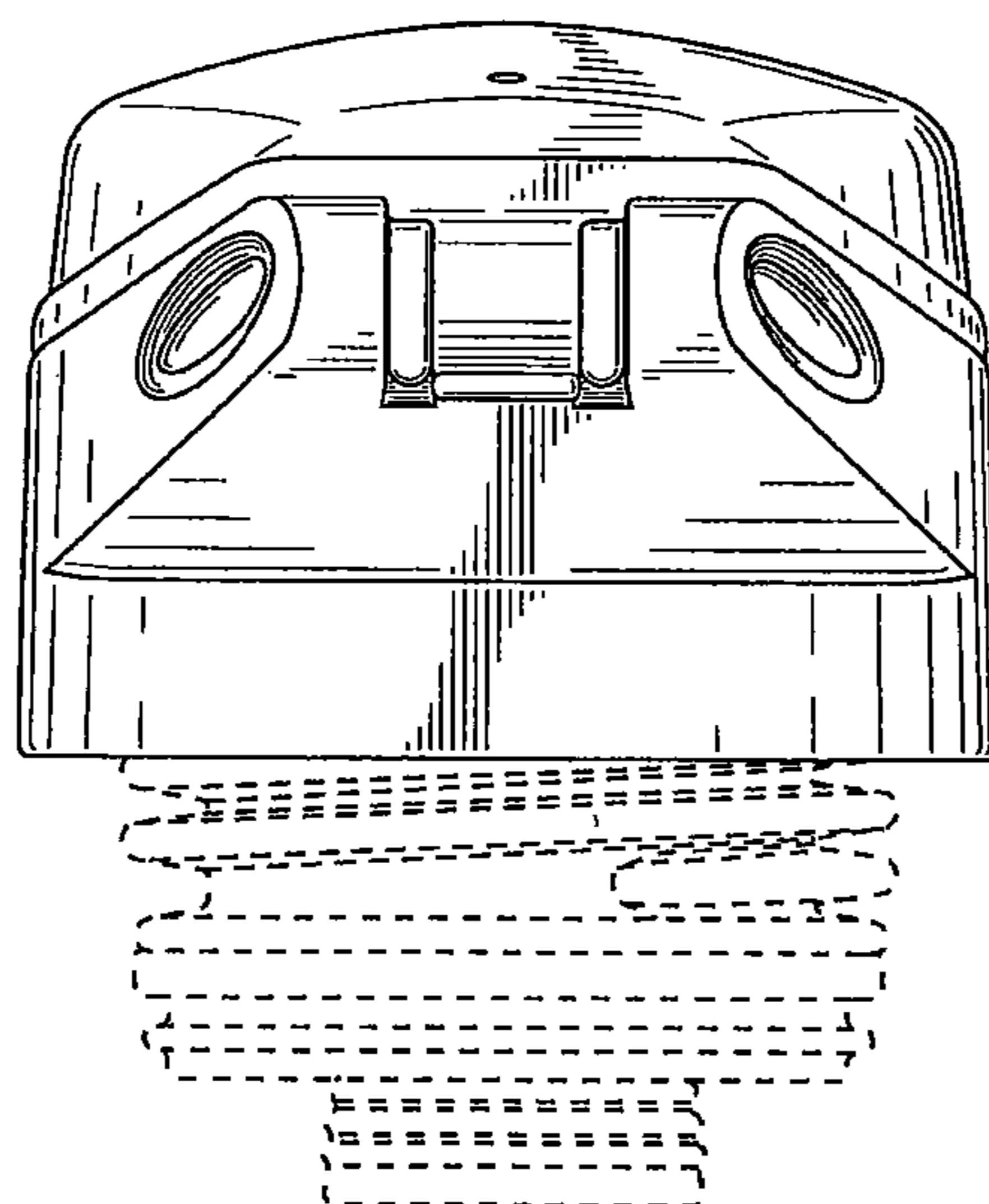


FIG.9

