



US00D641240S

(12) **United States Design Patent**
Rognard

(10) **Patent No.:** **US D641,240 S**
(45) **Date of Patent:** **** Jul. 12, 2011**

(54) **CLOSING MEANS FOR PACKAGING**

(75) Inventor: **Jean-Yves Rognard**, Marcy-sur-Anse (FR)

(73) Assignee: **Obrist Closures Switzerland GmbH** (CH)

(**) Term: **14 Years**

(21) Appl. No.: **29/369,335**

(22) Filed: **Sep. 7, 2010**

(30) **Foreign Application Priority Data**

Mar. 15, 2010 (EP) 001202576-0001

(51) **LOC (9) Cl.** **09-06**

(52) **U.S. Cl.** **D9/443; D9/447; D9/449; D9/453**

(58) **Field of Classification Search** 215/305, 215/306, 322; 220/260, 375, 810, 811; 222/492, 222/494, 521; D9/423, 438, 443, 446, 447, D9/449, 450, 453, 529, 560, 738; D7/392.1

See application file for complete search history.

(56) **References Cited**

U.S. PATENT DOCUMENTS

D149,834 S * 6/1948 Perkins D9/443
D511,456 S * 11/2005 Forte D9/443
D599,660 S * 9/2009 Pieriboni D9/435

* cited by examiner

Primary Examiner — Susan Bennett Hattan

(74) *Attorney, Agent, or Firm* — Bradley Arant Boulton Cummings LLP; Gregory Peterson; Jeremy A Smith

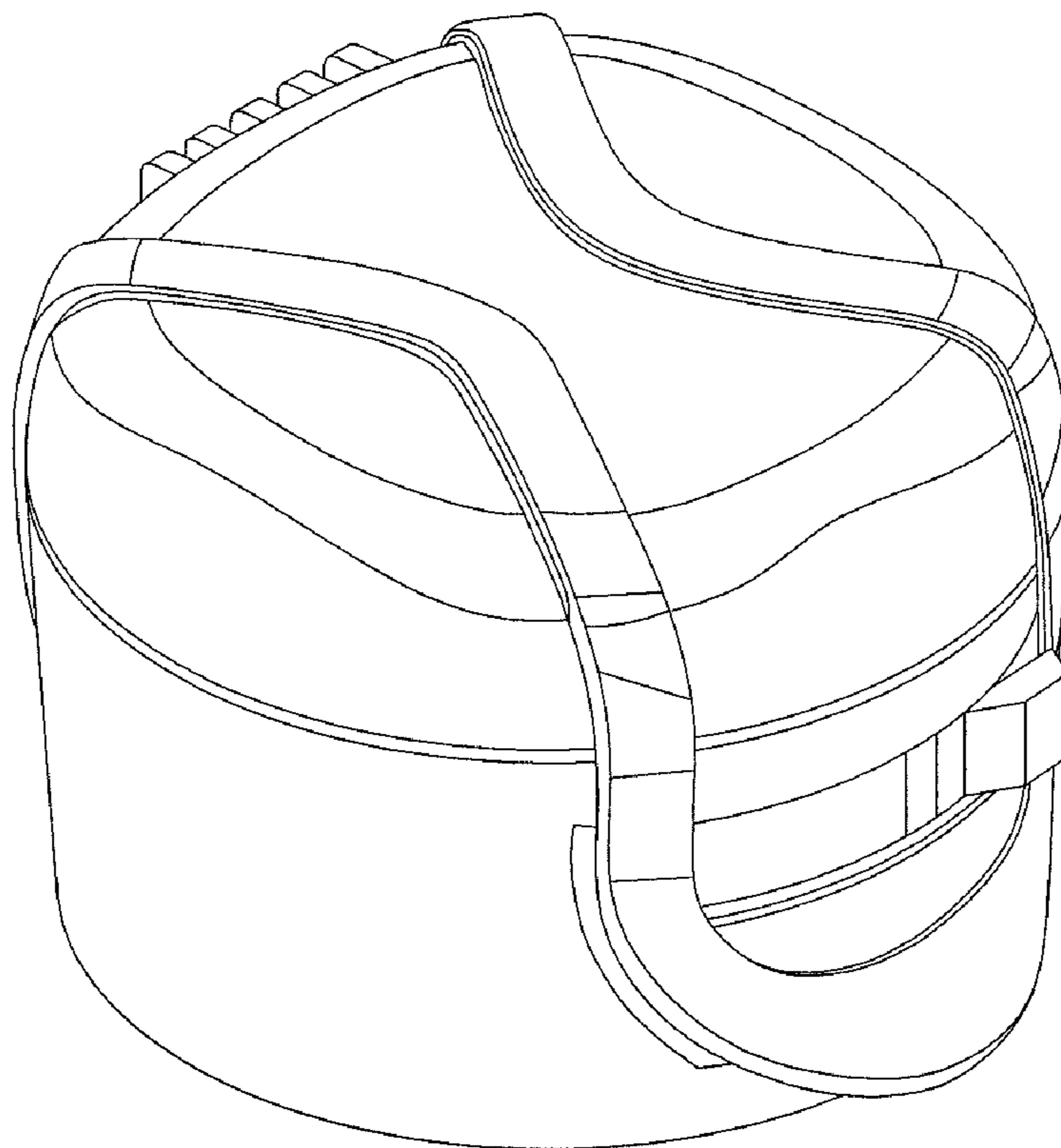
(57) **CLAIM**

The ornamental design for a closing means for packaging, substantially as shown and described.

DESCRIPTION

FIG. 1 is a front view of the closing means for packaging. FIG. 2 is a rear view of the closing means for packaging. FIG. 3 is a top view of the closing means for packaging. FIG. 4 is a side view of the closing means for packaging. FIG. 5 is a back perspective view of the closing means for packaging; and, FIG. 6 is a front perspective view of the closing means for packaging.

1 Claim, 3 Drawing Sheets



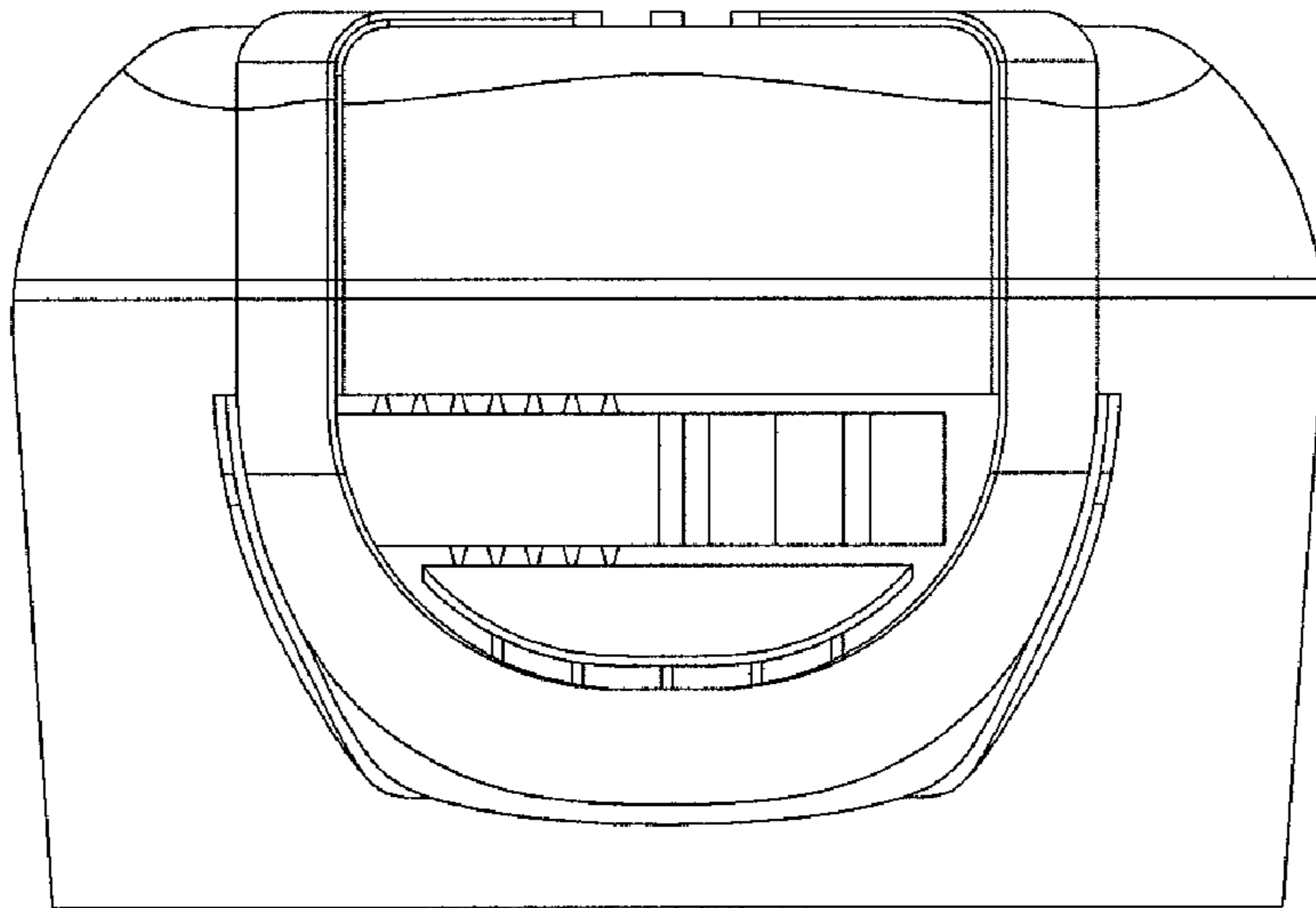


FIG. 1

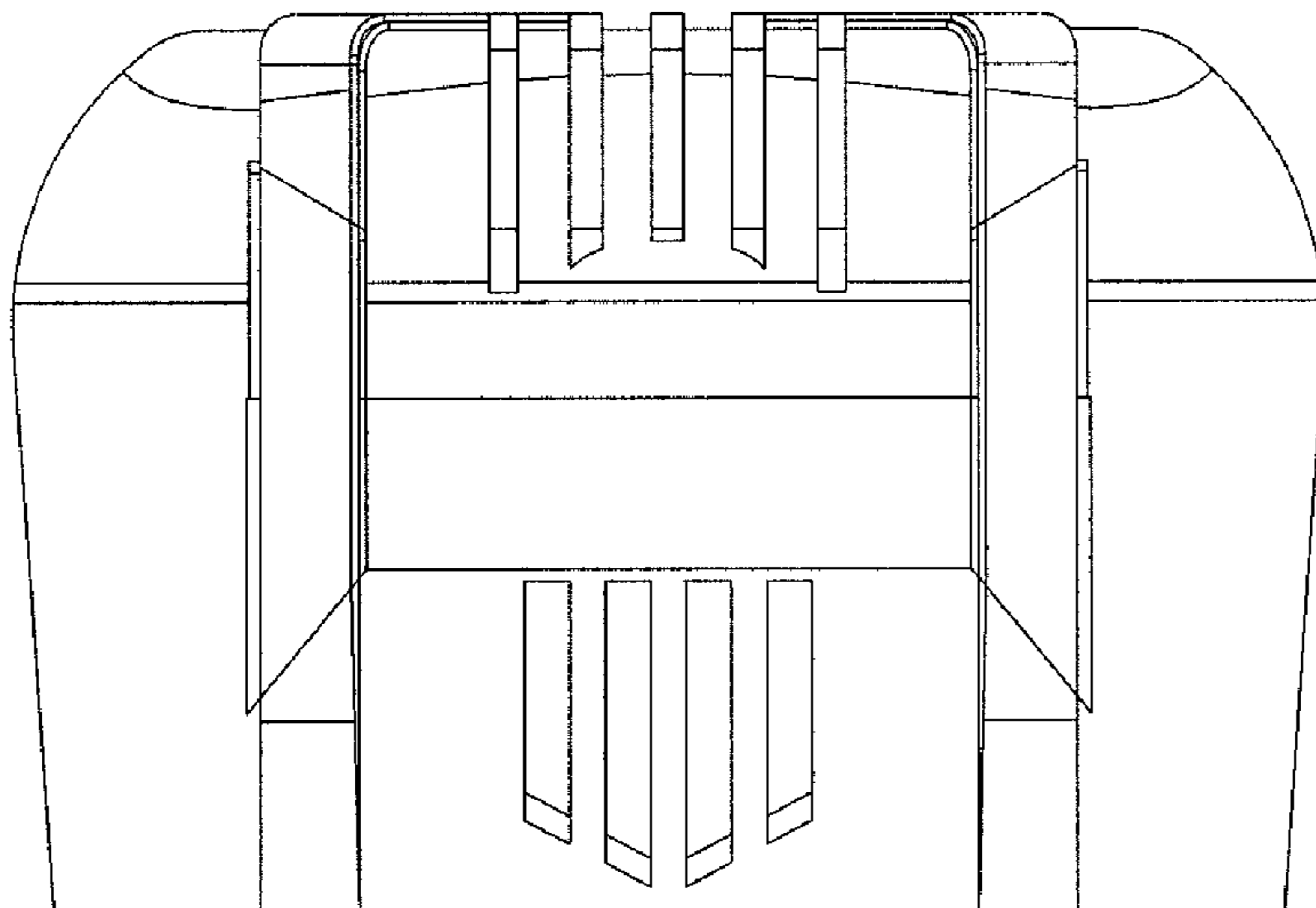


FIG. 2

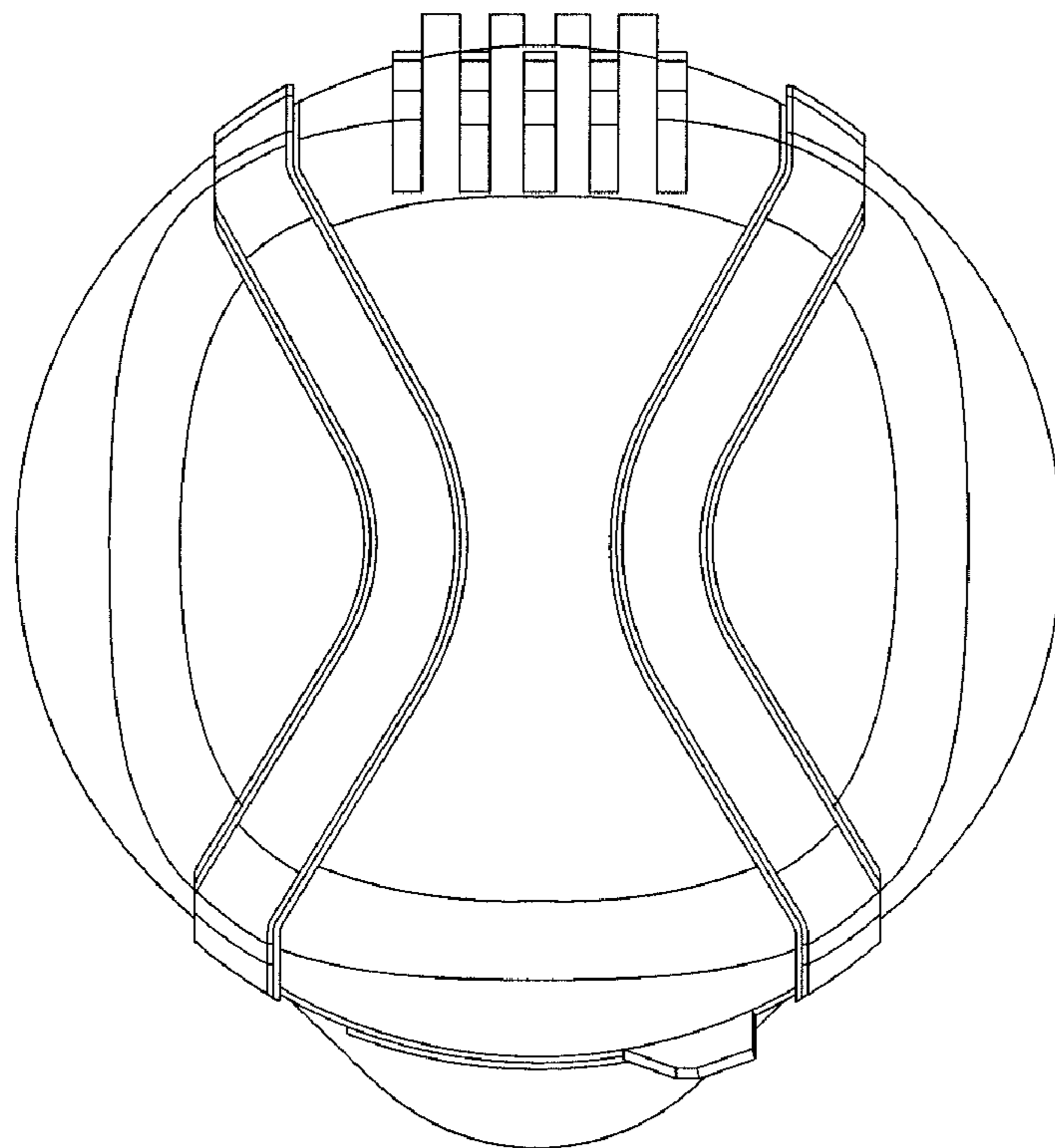


FIG. 3

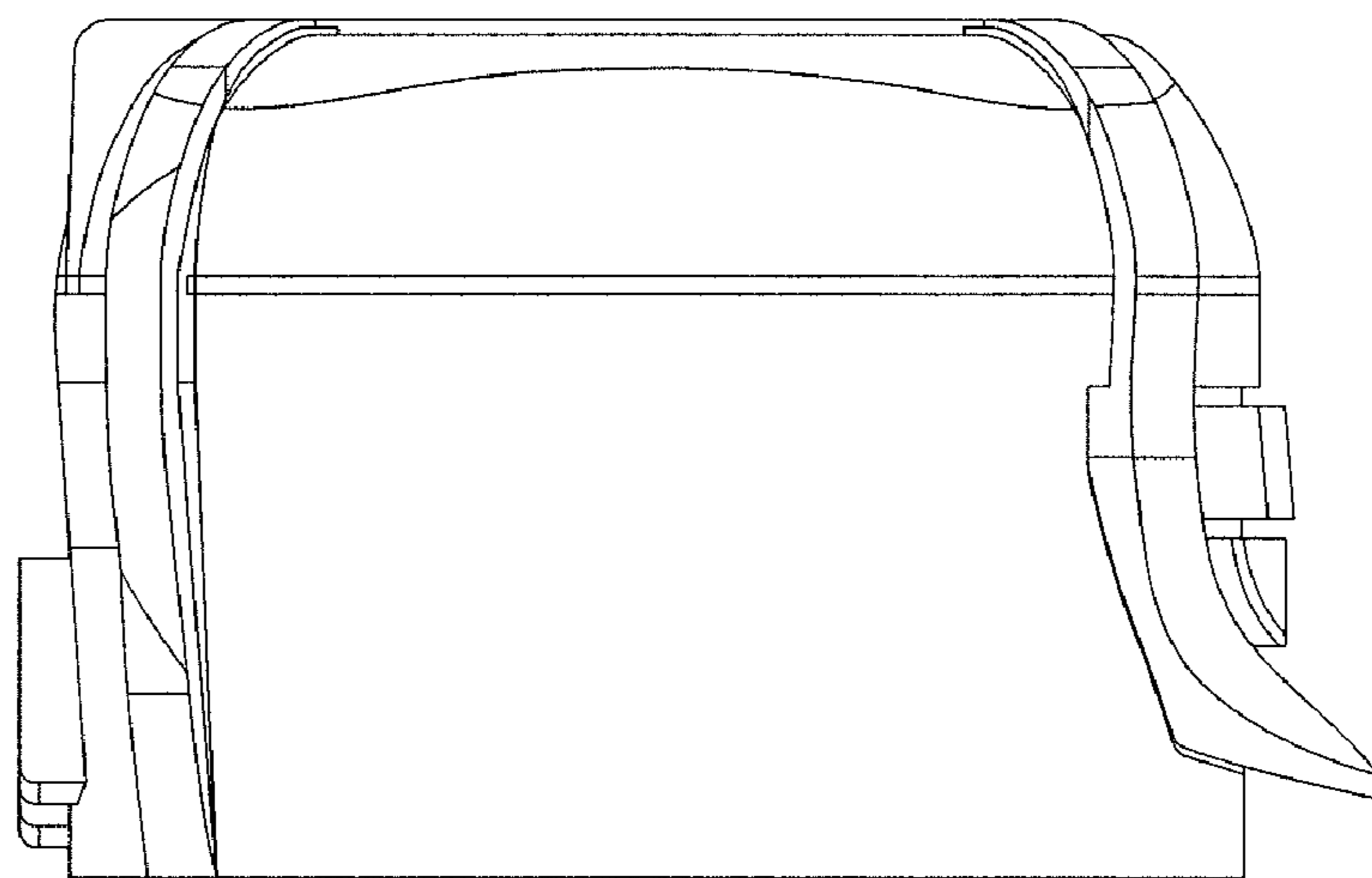


FIG. 4

FIG. 5

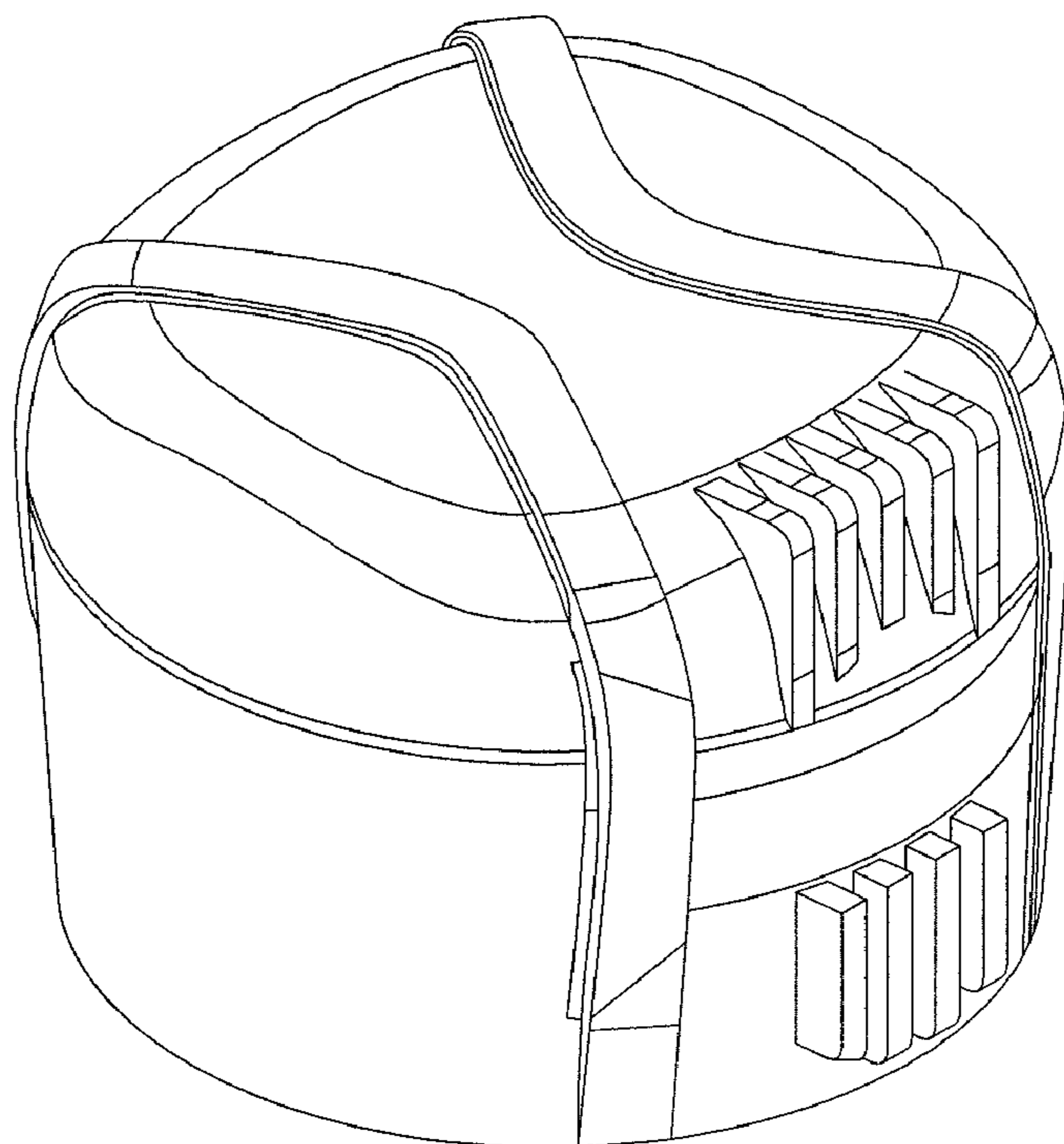


FIG. 6

