



US00D641239S

(12) **United States Design Patent**  
**Ramsey et al.**

(10) **Patent No.:** **US D641,239 S**  
(45) **Date of Patent:** **\*\* \*Jul. 12, 2011**

(54) **FULL APERTURE OPEN BEVERAGE CAN**

D356,456 S \* 3/1995 Henry ..... D6/455  
(Continued)

(75) Inventors: **Christopher Paul Ramsey**, Wantage (GB); **Garry Richard Chant**, Wantage (GB); **Andrew Robert Lockley**, Wantage (GB); **Brian Fields**, Lemont, IL (US); **Martin John Watson**, Wantage (GB); **Eleanor Rachel Hyde**, Wantage (GB)

**FOREIGN PATENT DOCUMENTS**

CH	527102	8/1972
EP	1813540	8/2007
EP	09169559.3	9/2009
GB	1358427	7/1974
GB	1453131	10/1976

(73) Assignee: **Crown Packaging Technology, Inc.**, Alsip, IL (US)

**OTHER PUBLICATIONS**

U.S. Appl. No. 29/368,323: Notice of Allowance dated Dec. 3, 2010, 6 pages.

(\*\*) Term: **14 Years**

(21) Appl. No.: **29/363,492**

(Continued)

(22) Filed: **Jun. 10, 2010**

*Primary Examiner* — Cynthia Underwood  
(74) *Attorney, Agent, or Firm* — Woodcock Washburn LLP

**Related U.S. Application Data**

(63) Continuation of application No. 12/797,171, filed on Jun. 9, 2010.

(51) **LOC (9) Cl.** ..... **09-07**

(52) **U.S. Cl.** ..... **D9/435; D7/387; D9/434**

(58) **Field of Classification Search** ..... D8/435, D8/434, 449, 454; D7/387, 396.2, 398, 392.1, D7/608; 220/269–271, 500, 600, 619, 623; 413/31, 6, 8; 426/118; 72/348, 349  
See application file for complete search history.

(57) **CLAIM**

The ornamental design for full aperture open beverage can, as shown and described.

**DESCRIPTION**

This application is related by subject matter to co-pending application Ser. Nos. 29/363,500, 29/363,498, and 29/363,502, each entitled “Full Aperture Open Beverage Can”.

FIG. 1 is a top perspective view of a full aperture open beverage can according to our design;

FIG. 2 is a side view thereof, with all sides being identical.

FIG. 3 is a top plan view thereof;

FIG. 4 is bottom plan view thereof; and,

FIG. 5 is a cross sectional view of a portion of the full aperture can shown taken at arrow 5 in FIG. 3, the view of FIG. 5 is provided for ornamental information and detail helpful in interpreting other views.

Any broken line portion of the drawings is included to show environmental subject matter only and forms no part of the claimed design.

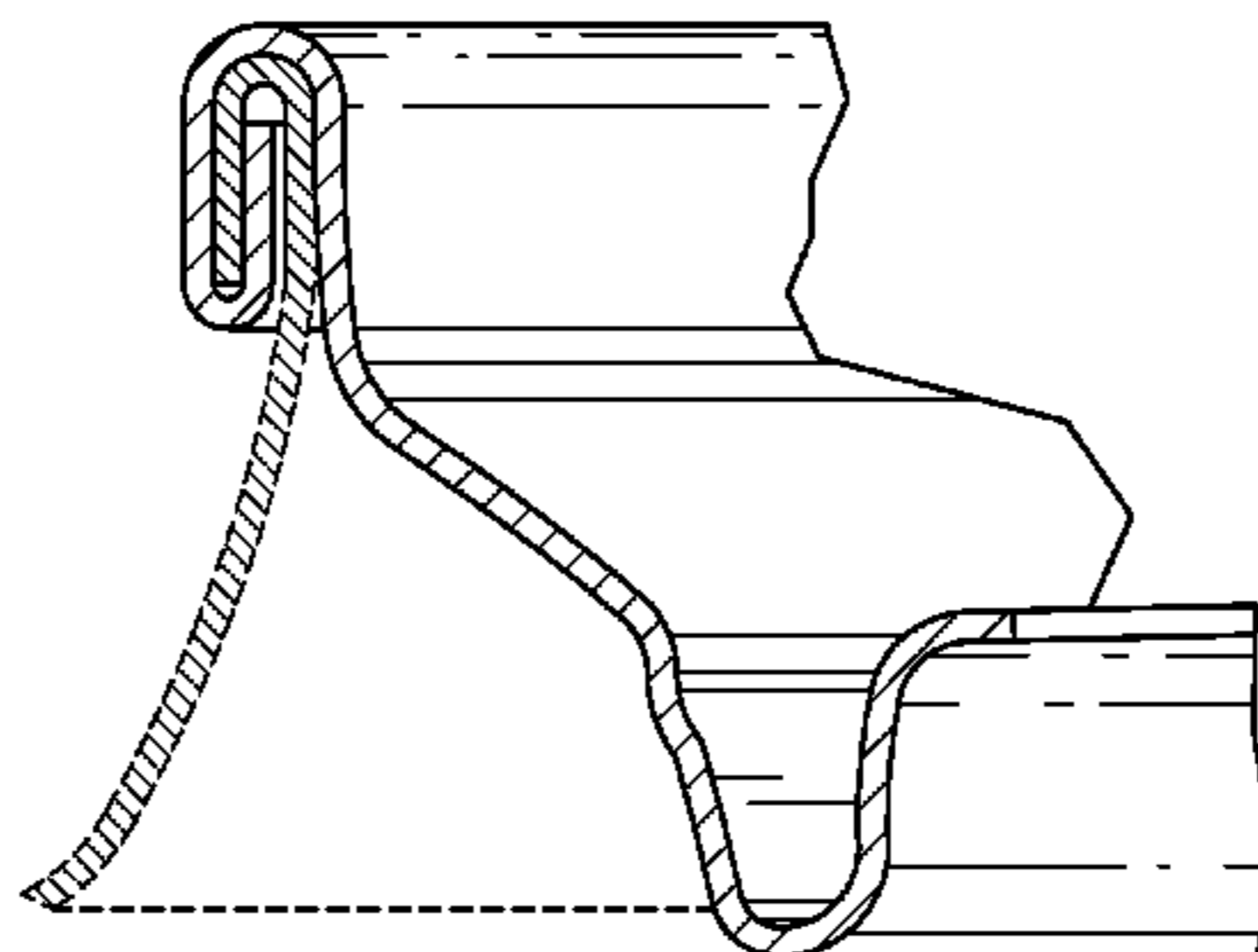
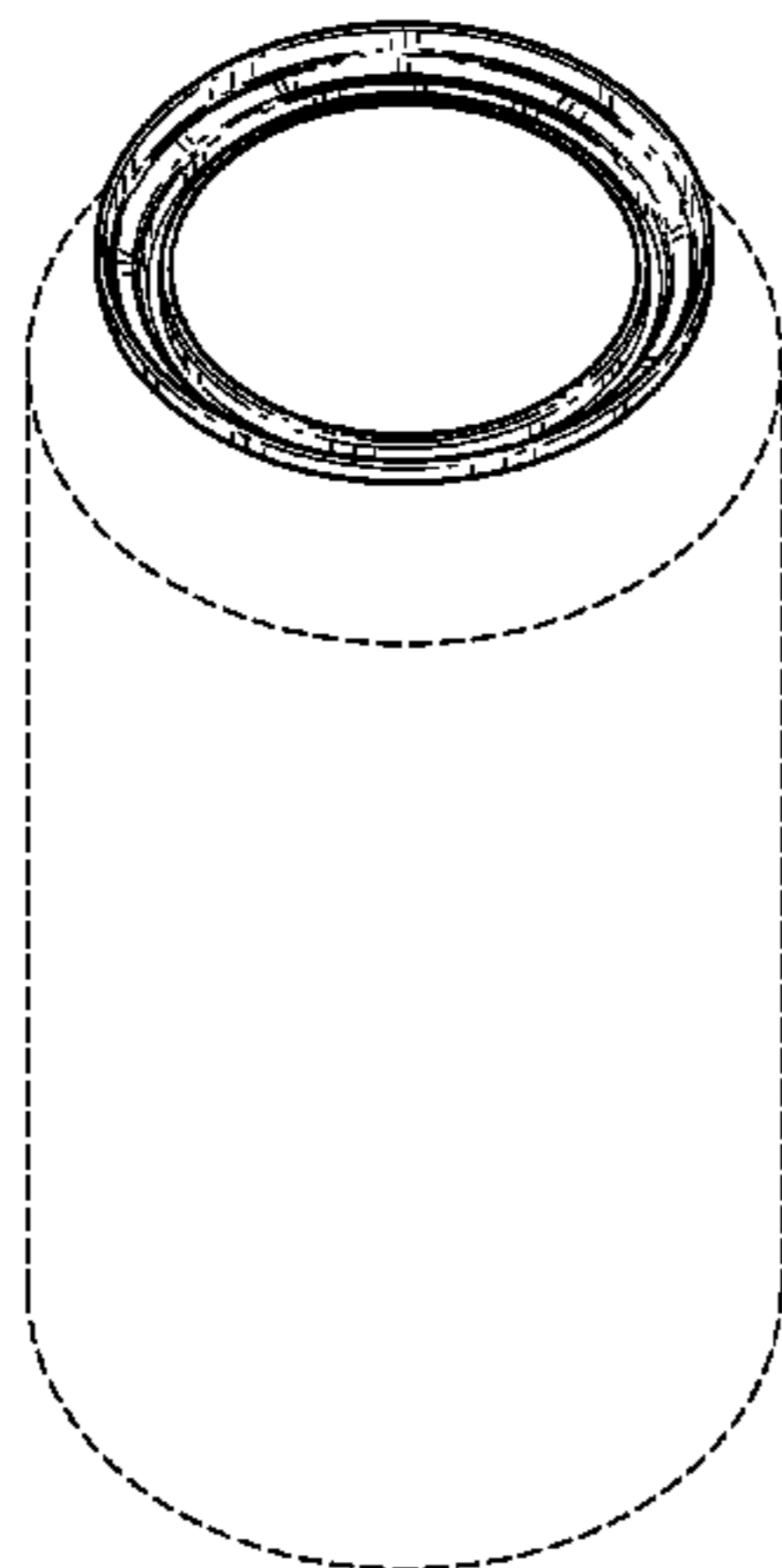
In a preferred embodiment, the nature of this product is a beverage can having an aperture on its end from which a user can drink.

(56) **References Cited**

**U.S. PATENT DOCUMENTS**

D30,094 S *	1/1899	Busch	.....	D9/434
D30,338 S *	3/1899	Mann	.....	D9/434
2,683,579 A	7/1954	Wallace		
3,301,464 A *	1/1967	Amberg	.....	229/125.17
3,477,608 A	11/1969	Fraze		
3,485,410 A	12/1969	Boik		
4,002,262 A	1/1977	Khoury		
4,271,778 A *	6/1981	Le Bret	.....	413/6
D265,280 S *	7/1982	Conti	.....	D7/387
D286,508 S *	11/1986	Tilden	.....	D9/435
4,809,861 A	3/1989	Wilkinson et al.		
D328,864 S *	8/1992	Grunzweig	.....	D9/447
5,232,114 A	8/1993	Zysset		
5,356,256 A	10/1994	Turner et al.		

**1 Claim, 2 Drawing Sheets**



# US D641,239 S

Page 2

## U.S. PATENT DOCUMENTS

D358,988 S 6/1995 Nolte  
5,582,319 A 12/1996 Heyes et al.  
D379,588 S \* 6/1997 Pledger et al. .... D9/434  
5,711,448 A 1/1998 Clarke, III  
5,860,553 A 1/1999 Schubert  
D406,236 S 3/1999 Brifcani et al.  
5,911,551 A 6/1999 Moran  
5,957,647 A 9/1999 Hinton  
5,971,259 A 10/1999 Bacon  
6,065,634 A 5/2000 Brifcani et al.  
6,089,072 A 7/2000 Fields  
D431,413 S \* 10/2000 Schaper et al. .... D7/394  
D480,304 S \* 10/2003 Stodd ..... D9/434  
D488,376 S 4/2004 Chung  
6,848,875 B2 2/2005 Brifcani et al.  
6,915,553 B2 \* 7/2005 Turner et al. .... 29/505  
D515,353 S 2/2006 Martin  
D525,127 S \* 7/2006 Cogley et al. .... D9/456  
7,100,789 B2 9/2006 Nguyen et al.  
D559,680 S 1/2008 Jacober et al.  
7,341,163 B2 \* 3/2008 Stodd ..... 220/623  
D567,657 S \* 4/2008 Hall et al. .... D9/454  
D570,213 S \* 6/2008 Newman ..... D9/447

7,500,376 B2 3/2009 Bathurst et al.  
7,506,779 B2 3/2009 Jentsch et al.  
D591,149 S \* 4/2009 Bonner et al. .... D9/434  
7,673,768 B2 3/2010 Reed et al.  
7,743,635 B2 \* 6/2010 Jentsch et al. .... 72/117  
7,743,768 B2 6/2010 Ho et al.  
2004/0026433 A1 \* 2/2004 Brifcani et al. .... 220/600  
2005/0284869 A1 12/2005 Mills  
2008/0067171 A1 3/2008 Heinicke

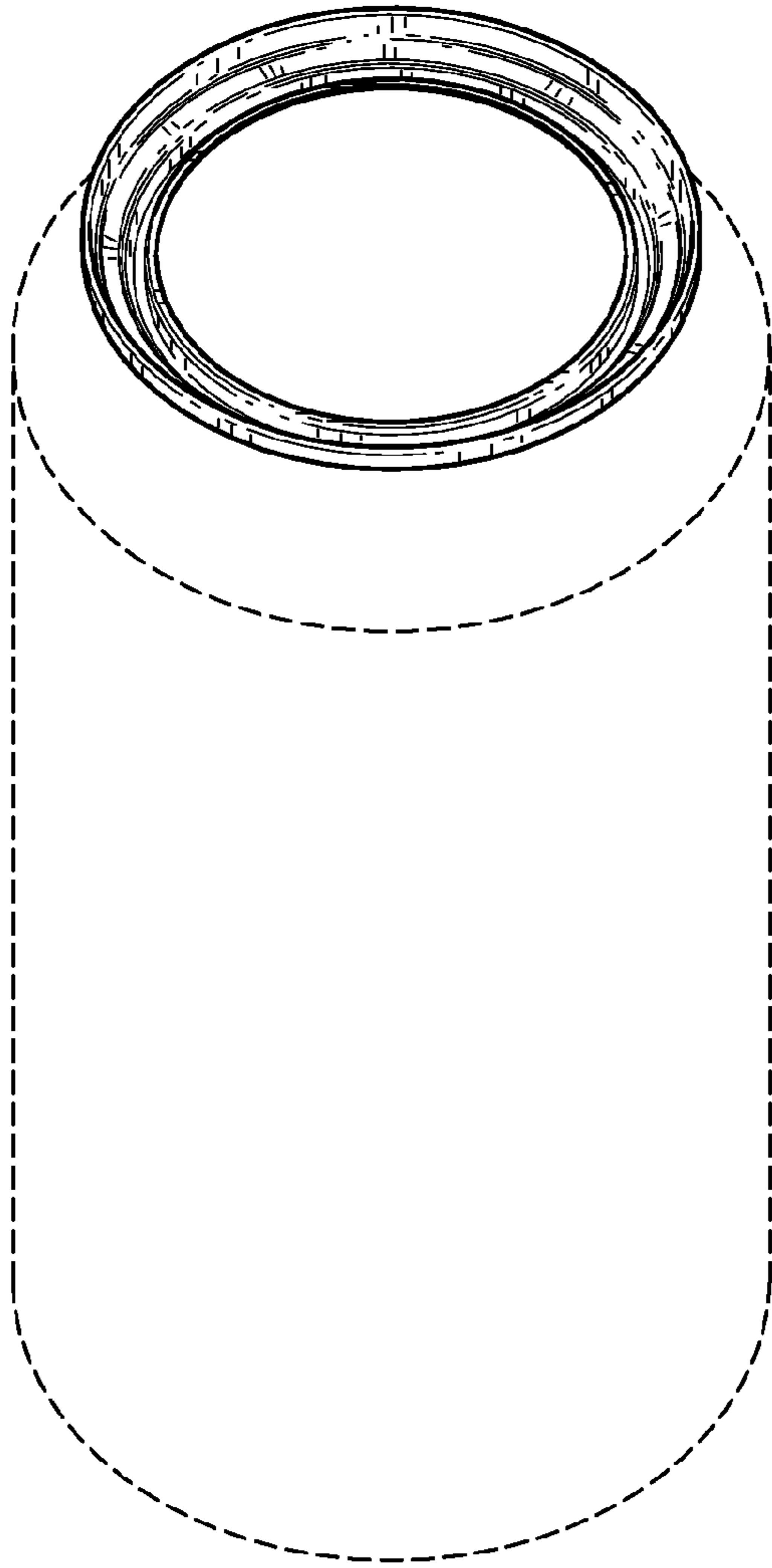
## OTHER PUBLICATIONS

U.S. Appl. No. 29/363,498: Notice of Allowance dated Nov. 29, 2010, 6 pages.

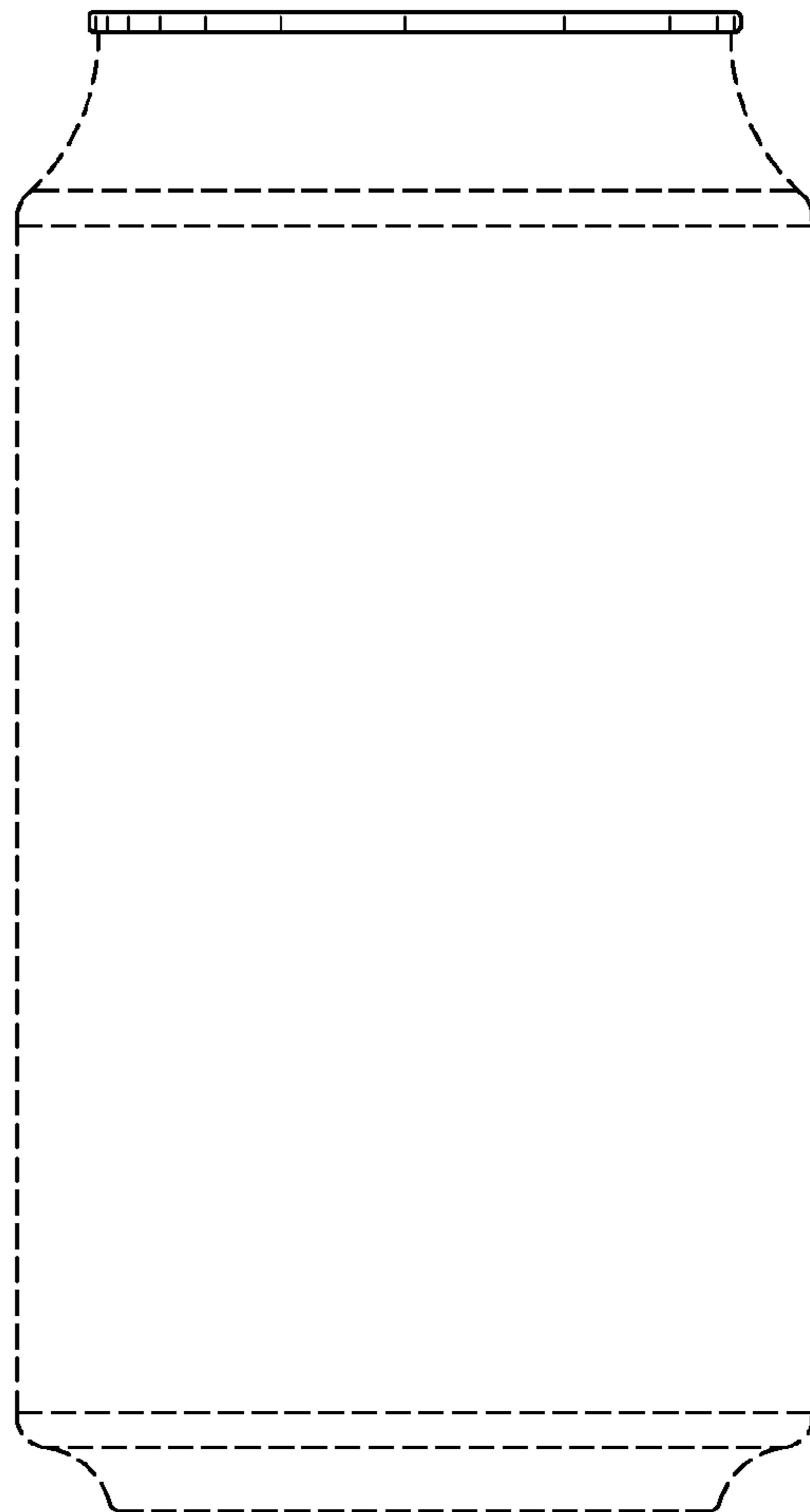
U.S. Appl. No. 29/363,500: Notice of Allowance dated Nov. 30, 2010, 6 pages.

Ball Packaging Europe, "Full Aperture Tear-off End", [http://www.ball-europe.com/382\\_349\\_ENG13\\_PHP.html](http://www.ball-europe.com/382_349_ENG13_PHP.html), Accessed Dec. 2, 2010, 1 page.

\* cited by examiner



*FIG. 1*



*FIG. 2*

