

US00D641235S

(12) **United States Design Patent**
Fisher

(10) **Patent No.:** **US D641,235 S**
(45) **Date of Patent:** **** Jul. 12, 2011**

(54) **FOOD CONTAINER**

(75) Inventor: **Thad J. Fisher**, DeForest, WI (US)

(73) Assignee: **Kraft Foods Global Brands LLC**,
Northfield, IL (US)

(**) Term: **14 Years**

(21) Appl. No.: **29/385,280**

(22) Filed: **Feb. 11, 2011**

5,119,940 A	6/1992	Grindrod
5,236,119 A *	8/1993	Chu 229/407
D352,203 S *	11/1994	Campbell et al. D7/553.2
D372,170 S *	7/1996	Ahern, Jr. D7/549
D376,953 S *	12/1996	Dunn D7/549
D383,943 S	9/1997	Boley
D388,699 S *	1/1998	Hayes et al. D9/761
5,747,084 A	5/1998	Cochran et al.
5,922,376 A	7/1999	Privert
6,048,558 A	4/2000	Feldmeier et al.
RE36,867 E	9/2000	Rozzano
D432,409 S	10/2000	Feldmeier
D445,311 S	7/2001	Emonet et al.
D451,769 S	12/2001	Stanos et al.

(Continued)

Related U.S. Application Data

(62) Division of application No. 29/338,107, filed on Jun. 4, 2009, now Pat. No. Des. 634,619.

(51) **LOC (9) Cl.** **09-03**

(52) **U.S. Cl.** **D9/425**; D9/761

(58) **Field of Classification Search** D9/424,
D9/425, 430, 431, 432, 434, 435, 737, 760,
D9/761; D7/354, 357, 396.1, 550.1, 553.2,
D7/555, 629, 701; 229/164.1, 400-406,
229/932, 906.1; 220/23.2-23.8, 513, 516,
220/519, 556, 575; 206/123, 461, 467, 499,
206/505, 521.15, 549, 557, 561, 589, 806,
206/821; D3/302, 314; 426/128, 94, 120,
426/138, 76, 496, 549

See application file for complete search history.

FOREIGN PATENT DOCUMENTS

EP 0500318 A1 8/1992

(Continued)

Primary Examiner — Thomas Johannes

(74) *Attorney, Agent, or Firm* — Fitch, Even, Tabin & Flannery

(57)

CLAIM

I claim the ornamental design for food container, as shown and described.

DESCRIPTION

FIG. 1 is a perspective view of a food container showing my new design;

FIG. 2 is a top plan view thereof;

FIG. 3 is a bottom plan view thereof;

FIG. 4 is right side elevation view thereof;

FIG. 5 is a left side elevation view thereof;

FIG. 6 is a front end elevation view thereof; and,

FIG. 7 is a rear end elevation view thereof.

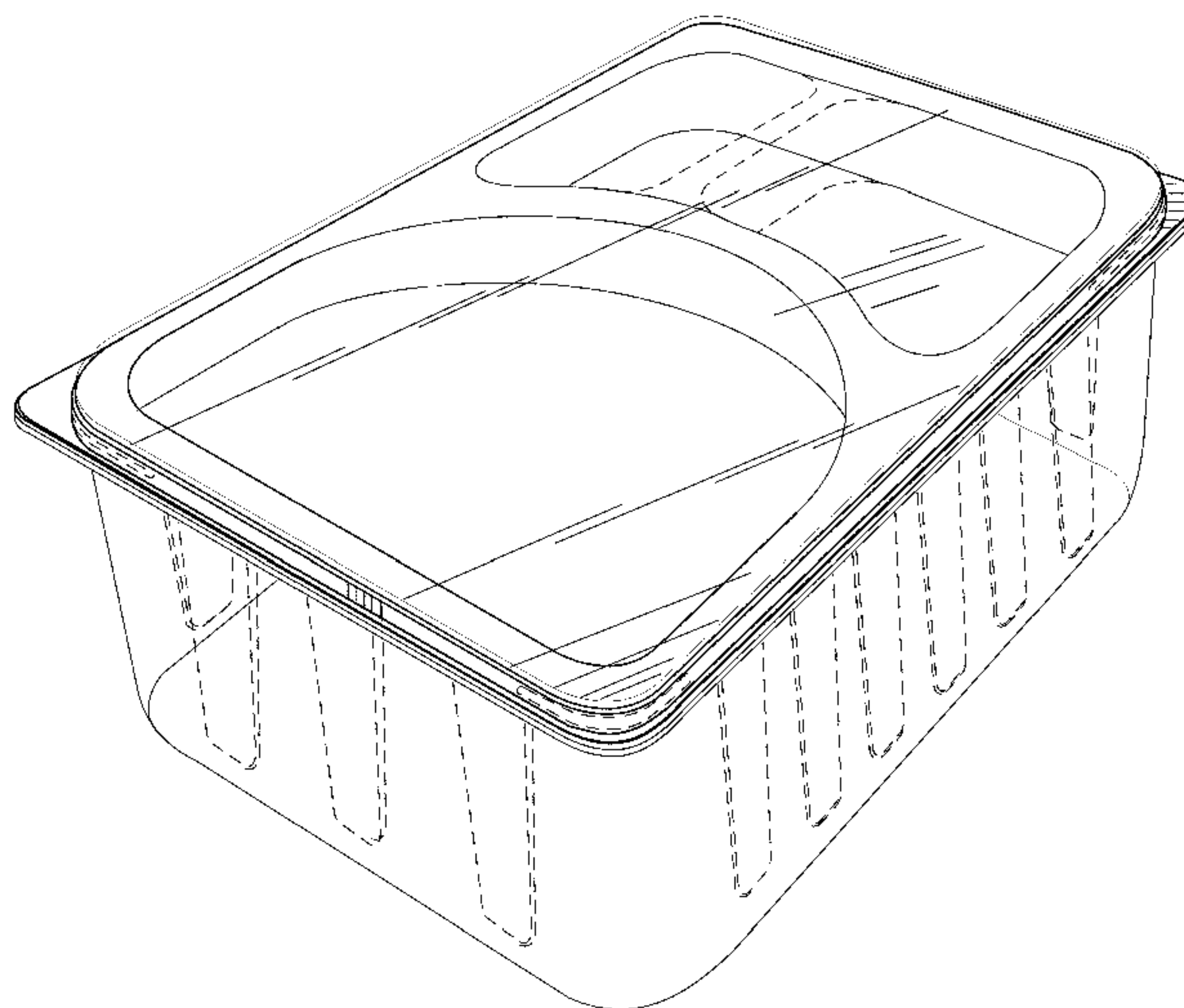
The broken line portion of the drawings is included to show unclaimed subject matter only and forms no part of the claimed design.

1 Claim, 4 Drawing Sheets

(56) **References Cited**

U.S. PATENT DOCUMENTS

D20,487 S	1/1891	McBride
3,868,017 A	2/1975	Carveth
D235,499 S *	6/1975	Day D7/553.3
4,501,363 A	2/1985	Isbey, Jr.
D280,290 S	8/1985	Bakus
D293,767 S	1/1988	Powers
4,807,776 A	2/1989	Cortopassi
D305,409 S *	1/1990	Michaud et al. D9/759
D318,207 S *	7/1991	Anderson D7/549
5,042,652 A	8/1991	Grindrod



US D641,235 S

Page 2

U.S. PATENT DOCUMENTS

D463,977 S 10/2002 Castellanos et al.
D471,766 S 3/2003 Bradley et al.
6,612,482 B2* 9/2003 Ross 229/103.2
D492,593 S 7/2004 Dutton
6,883,692 B2* 4/2005 Harden et al. 224/275
6,919,097 B2 7/2005 Lamp et al.
D515,880 S * 2/2006 Lerner D7/629
7,041,326 B2 5/2006 Bradley et al.
7,083,818 B2 8/2006 Pratte

D555,475 S 11/2007 Enriquez et al.
D633,341 S * 3/2011 Smyers D7/555
2006/0151339 A1 7/2006 Bradley et al.
2007/0092610 A1 4/2007 Mize, Jr.
2010/0307116 A1* 12/2010 Fisher 53/492

FOREIGN PATENT DOCUMENTS

FR 2553386 4/1985
JP 10-245054 9/1998

* cited by examiner

FIG. 1

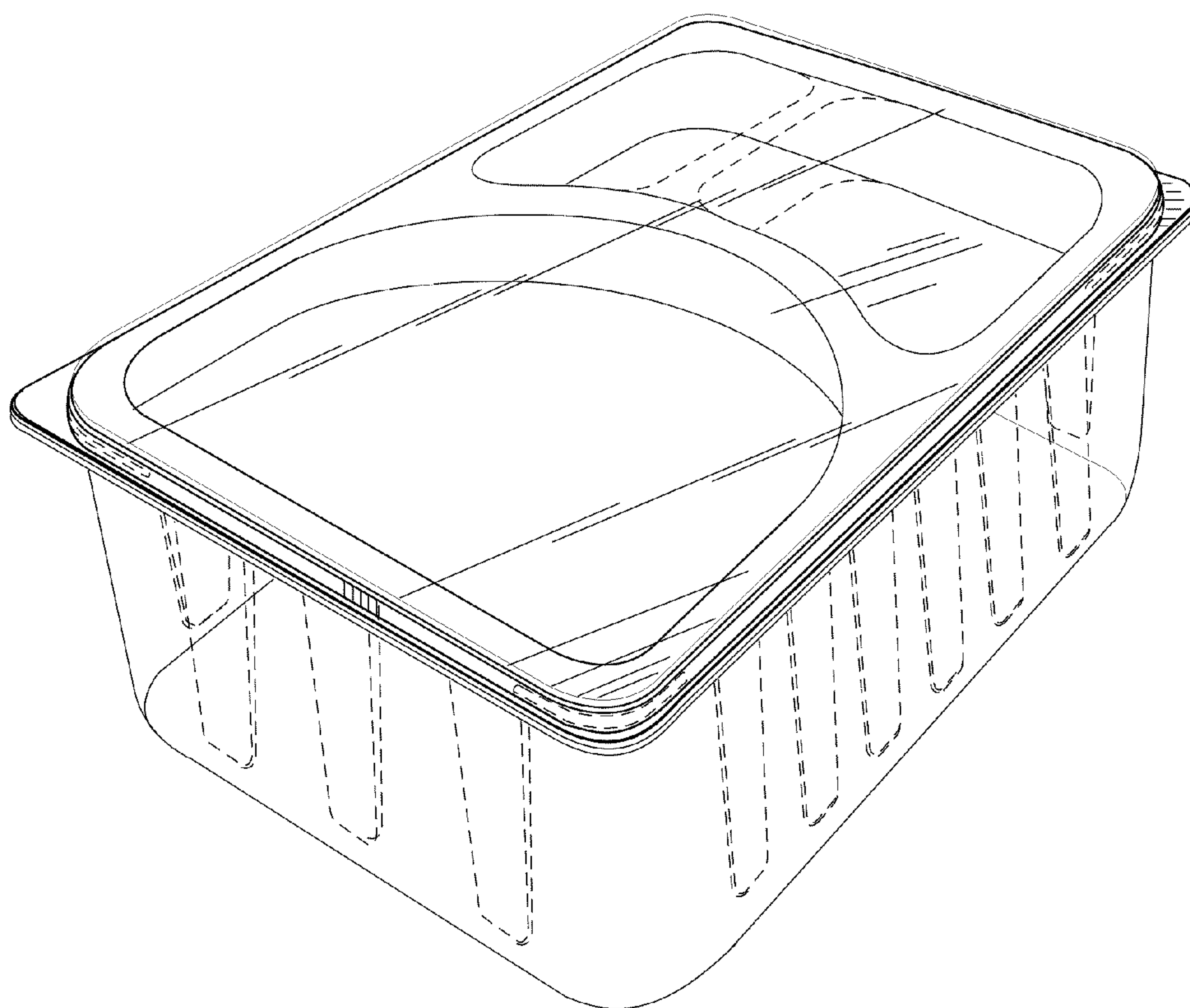


FIG. 2

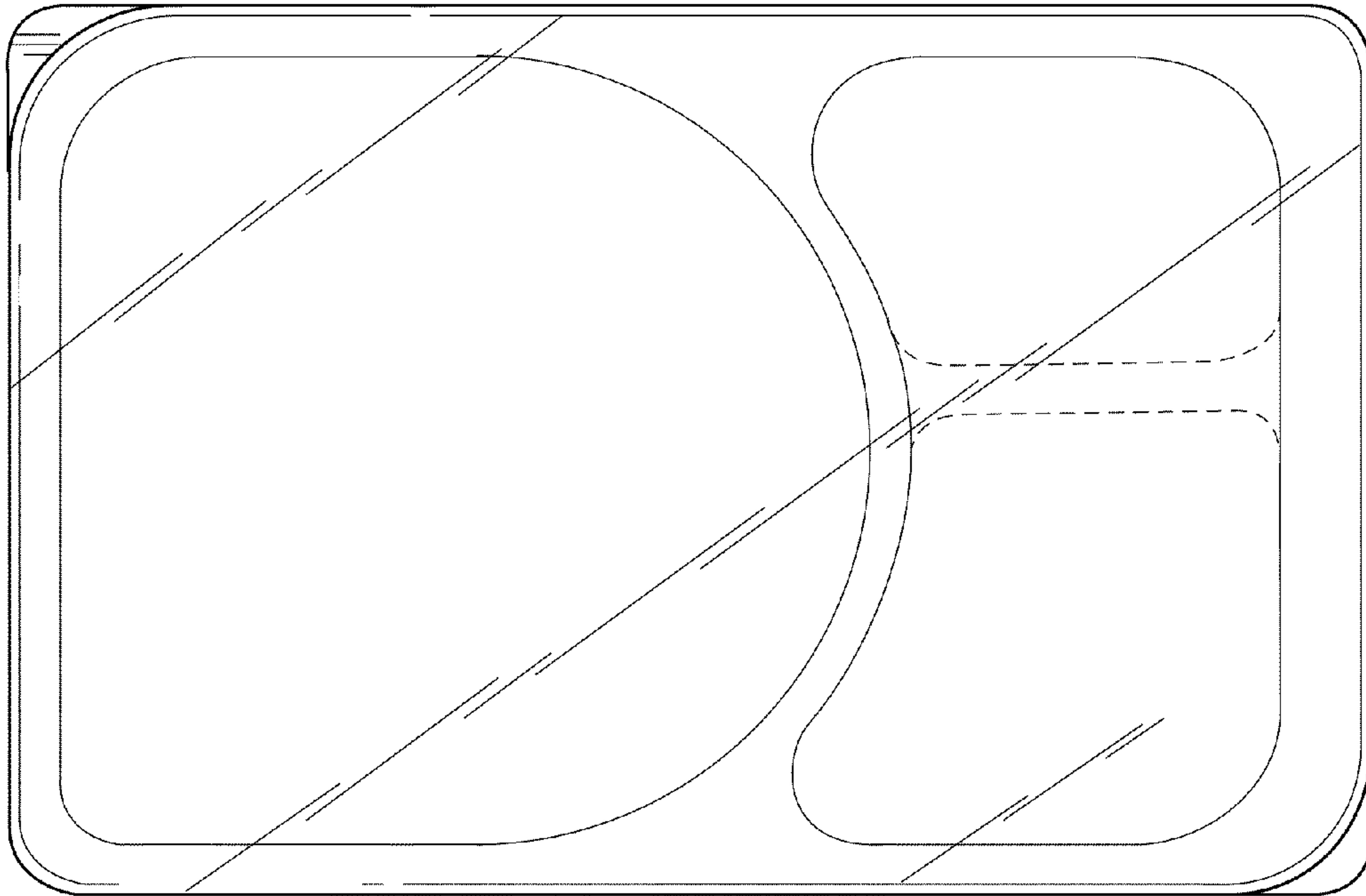


FIG. 3

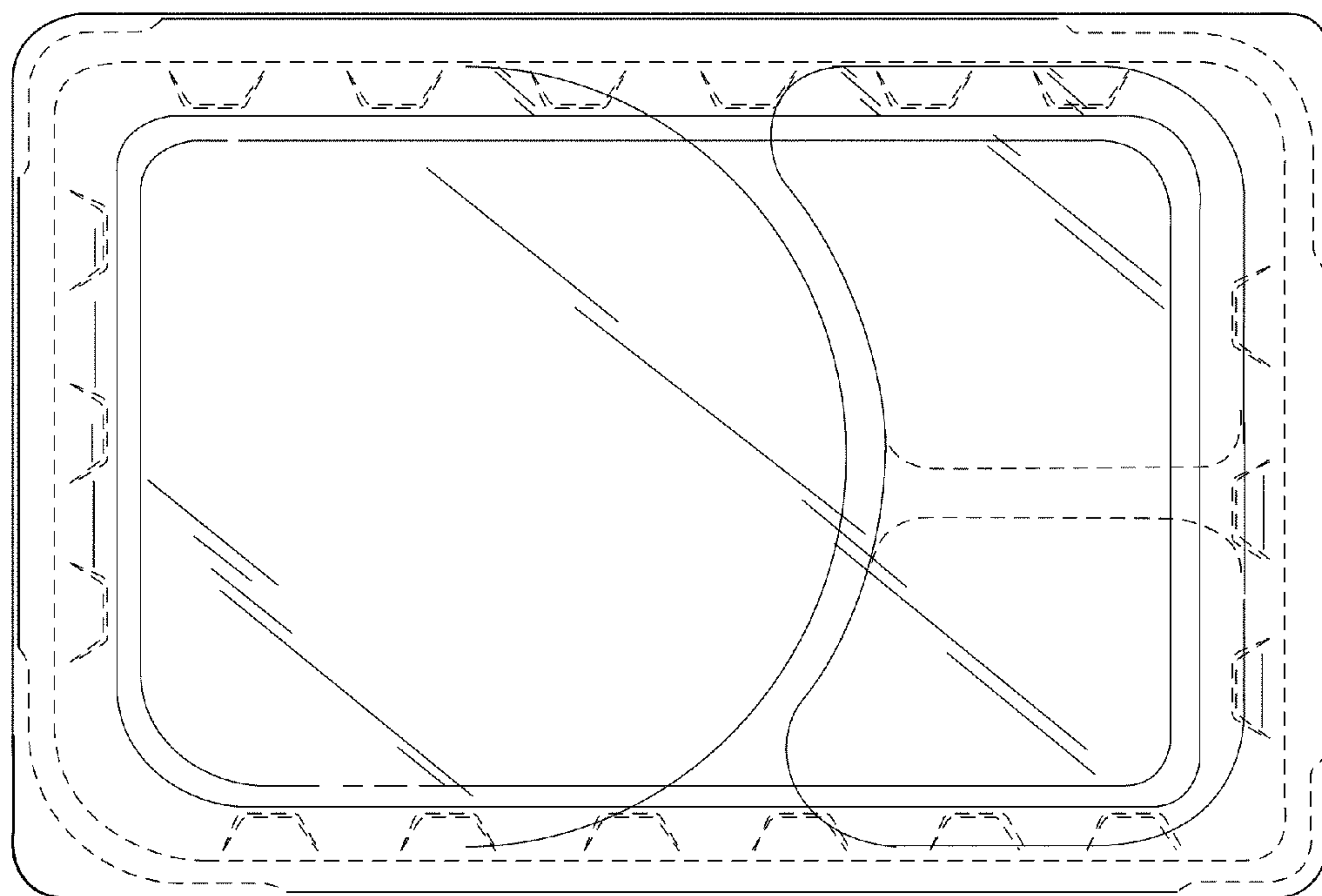


FIG. 4

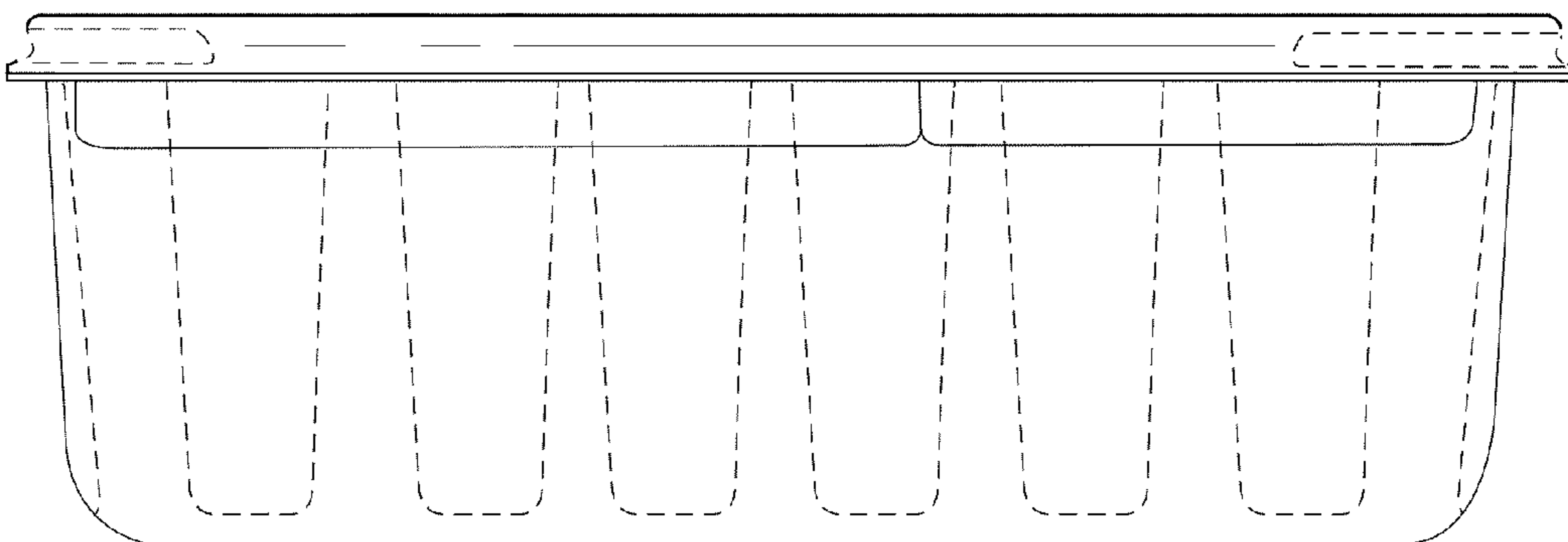


FIG. 5

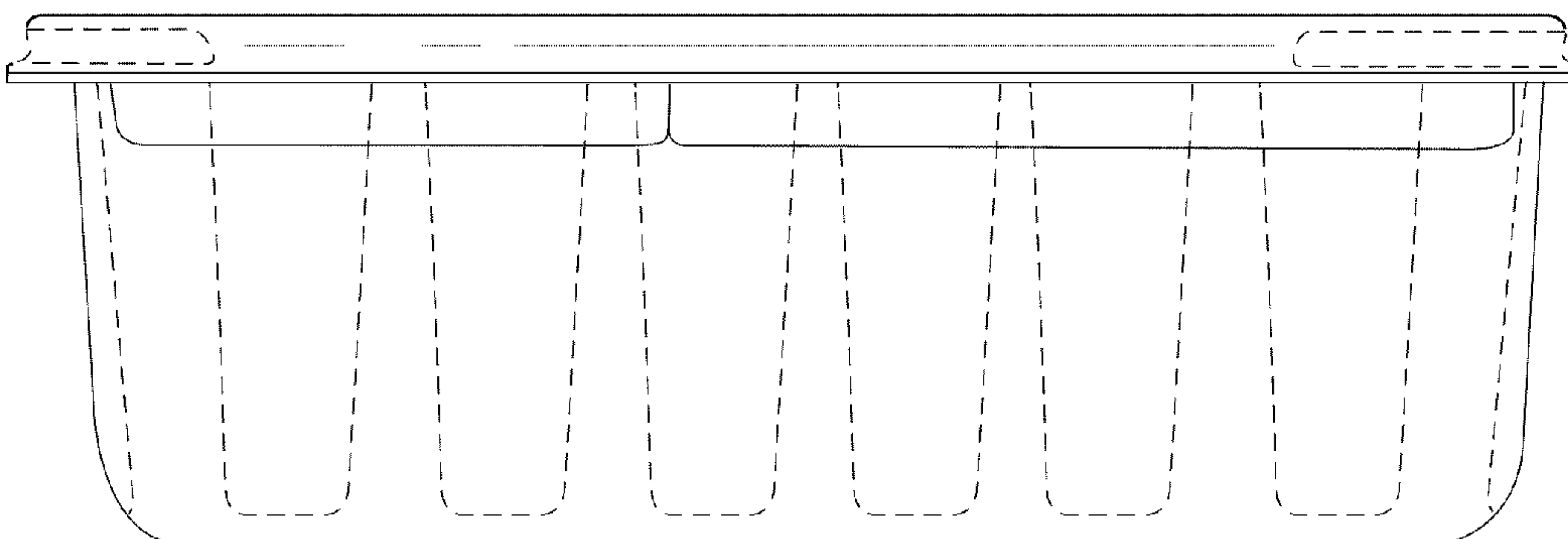


FIG. 6

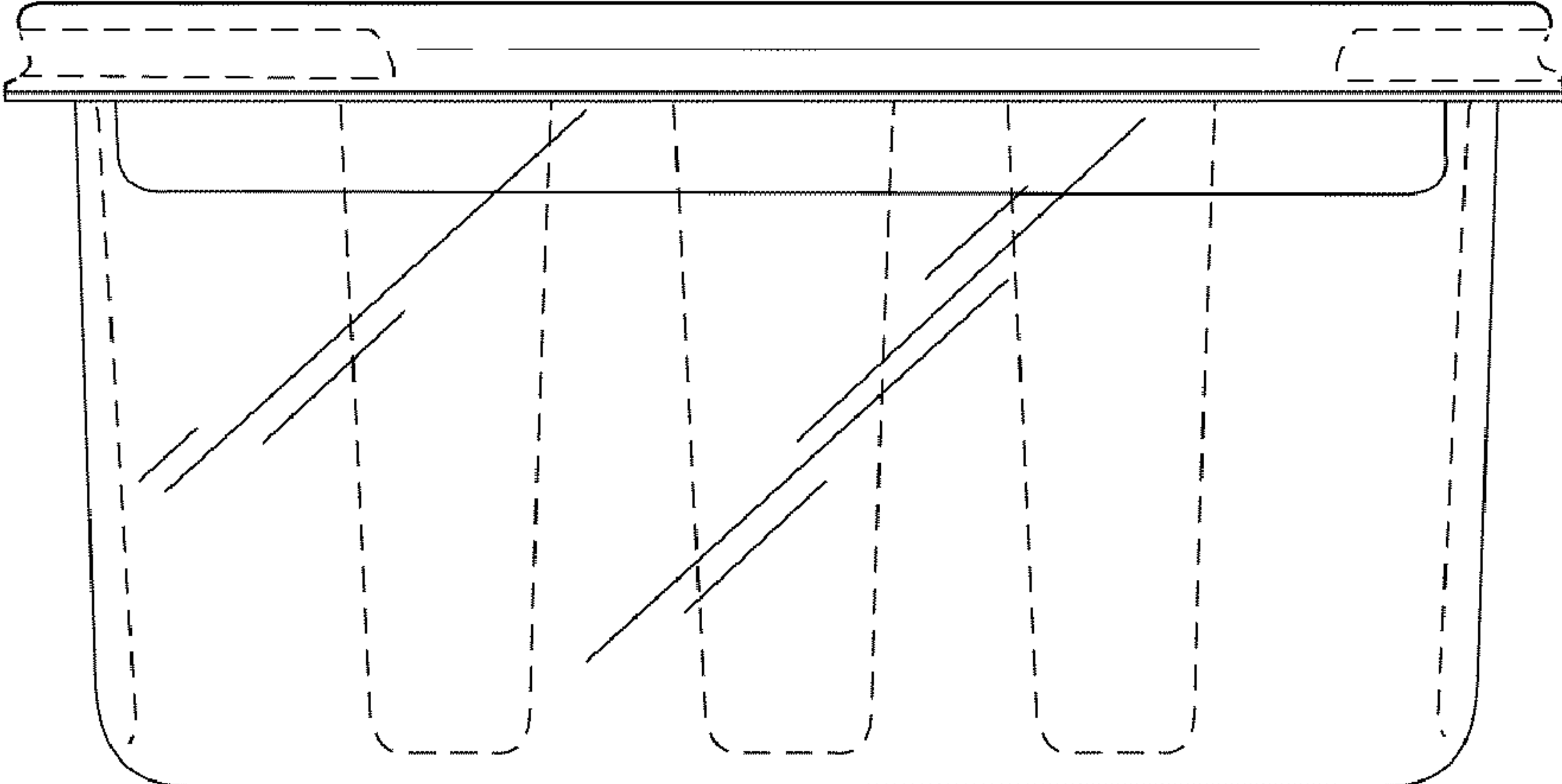


FIG. 7

