



US00D641233S

(12) **United States Design Patent**
Pugh

(10) **Patent No.:** **US D641,233 S**

(45) **Date of Patent:** **** Jul. 12, 2011**

(54) **CONTAINER**

(75) **Inventor:** **Cory Pugh**, Star, ID (US)

(73) **Assignee:** **Scentsy, Inc.**, Meridian, ID (US)

(**) **Term:** **14 Years**

(21) **Appl. No.:** **29/379,642**

(22) **Filed:** **Nov. 22, 2010**

(51) **LOC (9) Cl.** **09-03**

(52) **U.S. Cl.** **D9/415; D9/759**

(58) **Field of Classification Search** D9/414,
D9/415, 418, 420, 422, 423, 424, 425, 759,
D9/737, 761, 756; D7/602, 538, 629; D3/294;
229/406, 904; 206/495, 776, 806, 459.5,
206/44 R, 45.31, 45.34, 461, 469, 471; 220/287,
220/835, 839, 23.83, 500, 556, 557, 662,
220/669, 675, 23.2, 23.8, 376, 377, 380,
220/521, 657

See application file for complete search history.

(56) **References Cited**

U.S. PATENT DOCUMENTS

D268,331 S *	3/1983	Kay et al.	D9/415
D297,914 S *	10/1988	Goodman	D9/737
D305,408 S *	1/1990	LaJoie	D9/415
D364,343 S *	11/1995	Mello	D9/415
D378,894 S *	4/1997	Mello	D9/759
D458,125 S *	6/2002	Tachikawa et al.	D9/415
D462,263 S *	9/2002	Tachikawa et al.	D9/415
D463,741 S *	10/2002	Green	D9/415
D517,909 S *	3/2006	Kent et al.	D9/415
D537,735 S *	3/2007	Fountoulakis	D9/756
D556,565 S *	12/2007	Nazari	D9/418

D562,127 S *	2/2008	Croft et al.	D9/418
D597,379 S *	8/2009	Changpan	D7/542
D599,654 S *	9/2009	Kosaka et al.	D9/415
D628,058 S *	11/2010	Beaty	D9/415

* cited by examiner

Primary Examiner — Mark Goodwin

(74) *Attorney, Agent, or Firm* — TraskBritt

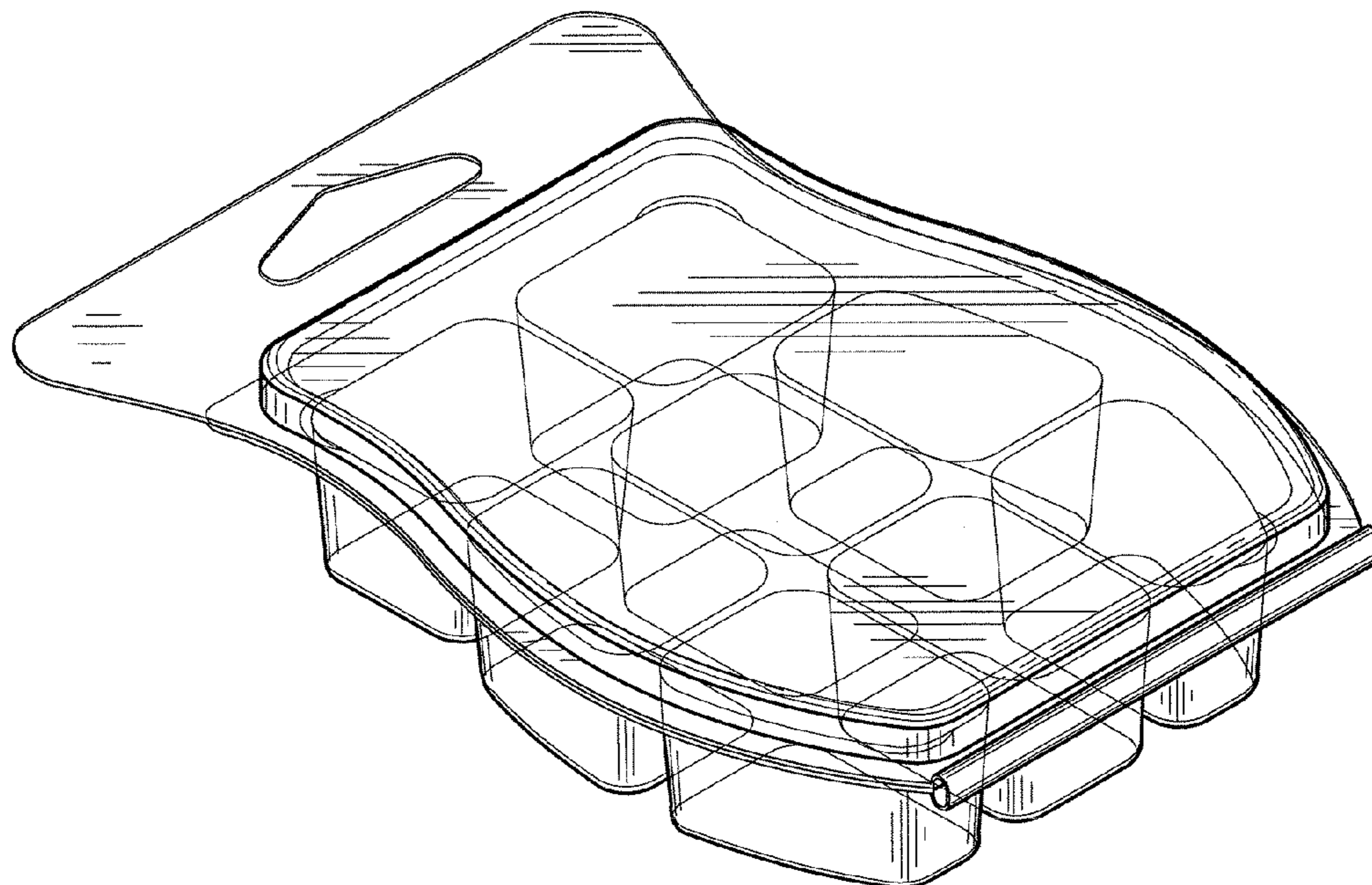
(57) **CLAIM**

The ornamental design for a container, as shown and described.

DESCRIPTION

FIG. 1 is a perspective view of a container, illustrated in a closed condition, showing my new design;
 FIG. 2 is a top view of the container shown in FIG. 1;
 FIG. 3 is a bottom view of the container shown in FIG. 1;
 FIG. 4 is a first side view of the container shown in FIG. 1;
 FIG. 5 is a second side view of the container shown in FIG. 1;
 FIG. 6 is a front view of the container shown in FIG. 1;
 FIG. 7 is a rear view of the container shown in FIG. 1;
 FIG. 8 is a perspective view of the container of FIG. 1, shown in an open condition.
 FIG. 9 is a top view of the container of FIG. 8;
 FIG. 10 is a first side view of the container of FIG. 8, the opposite side view of the container being a mirror image of the first side view;
 FIG. 11 is a rear view of the container of FIG. 8; and,
 FIG. 12 is a front view of the container of FIG. 8.

1 Claim, 6 Drawing Sheets



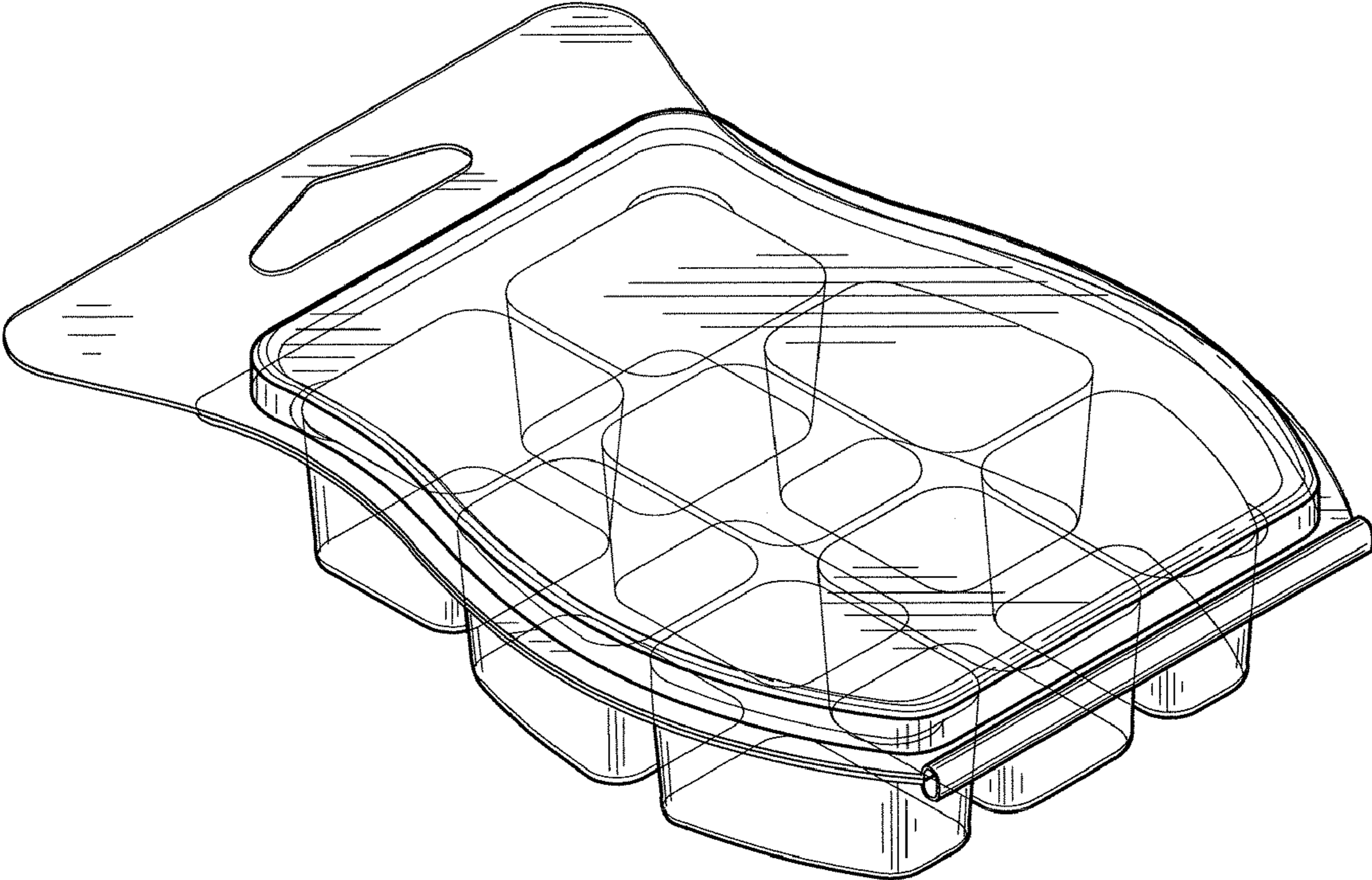


FIG. 1

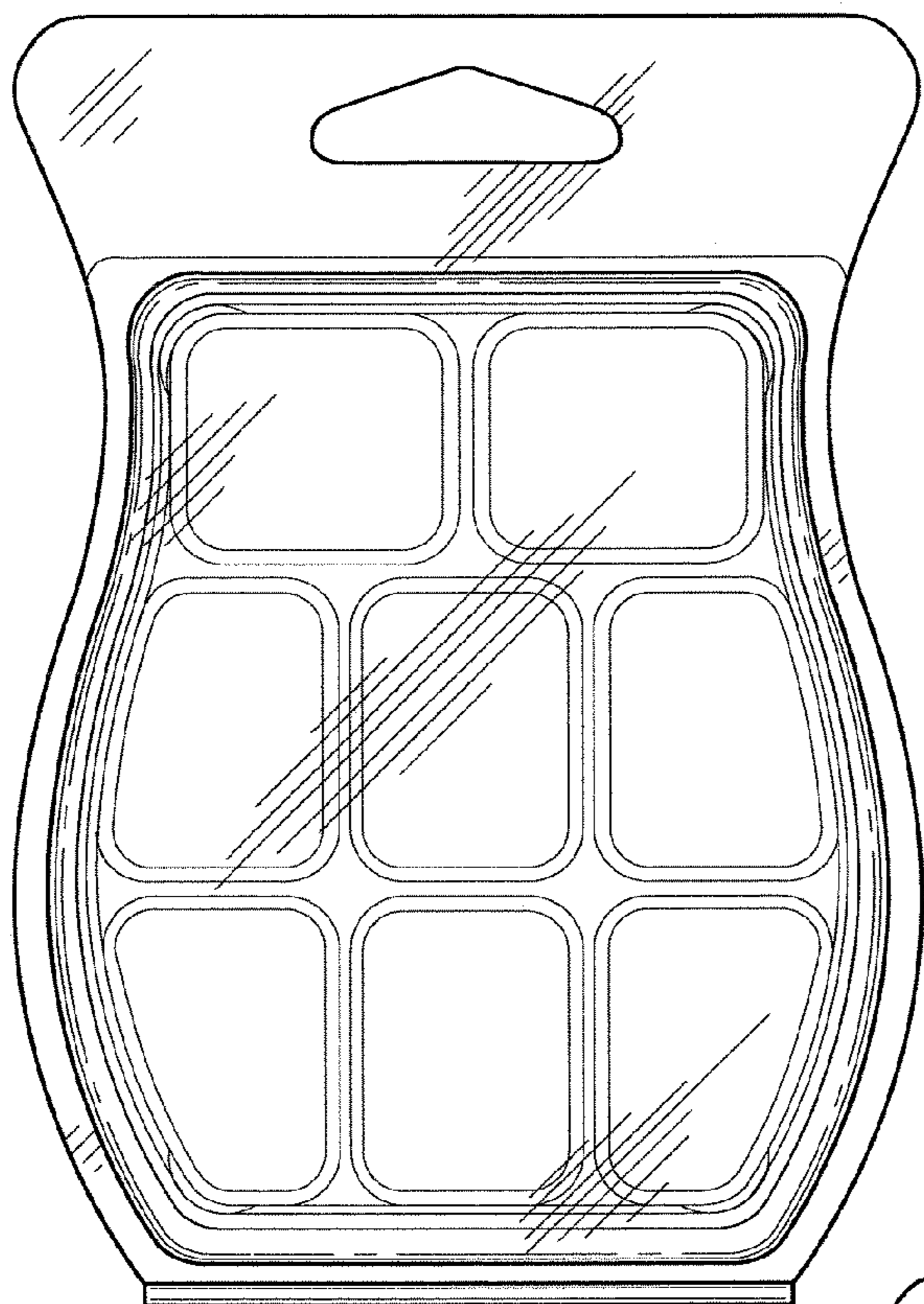


FIG. 2

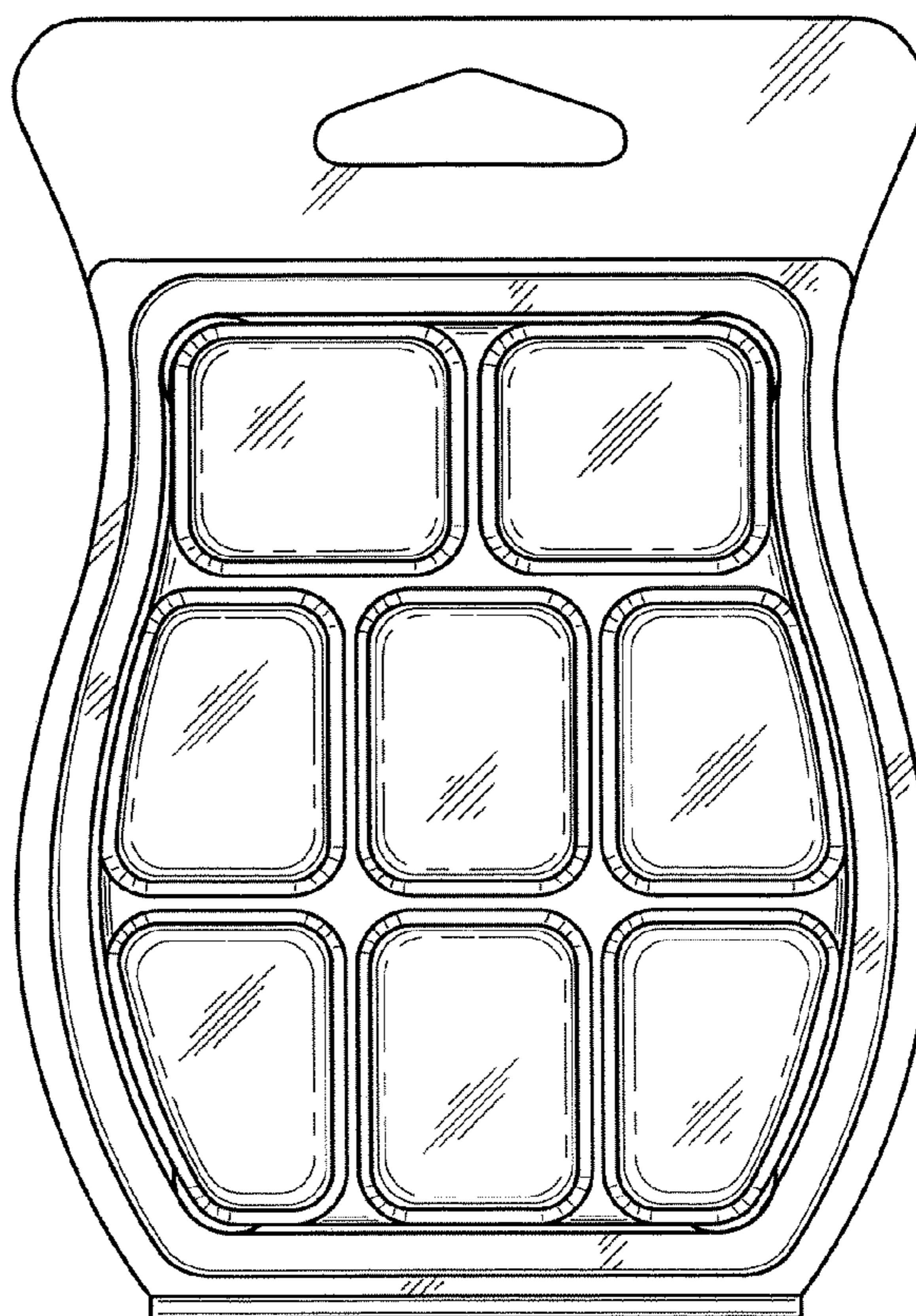


FIG. 3

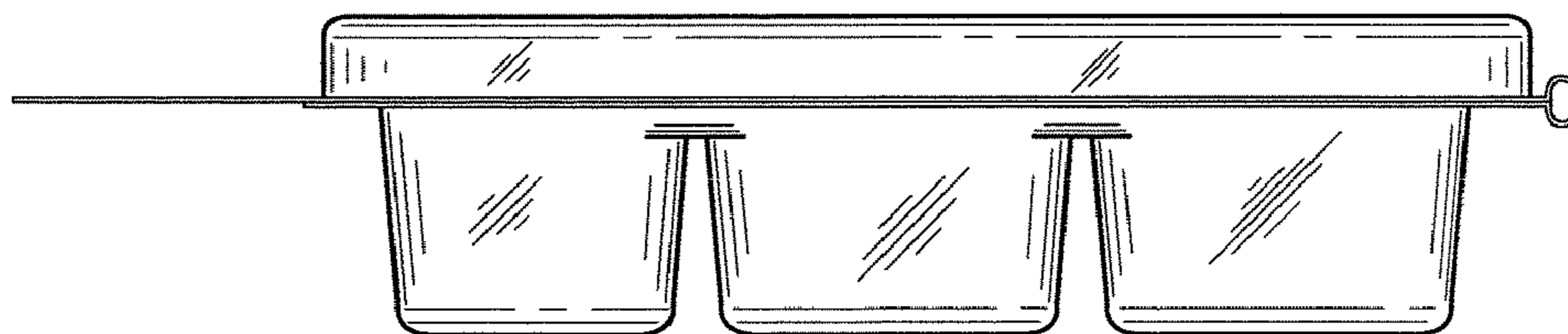


FIG. 4

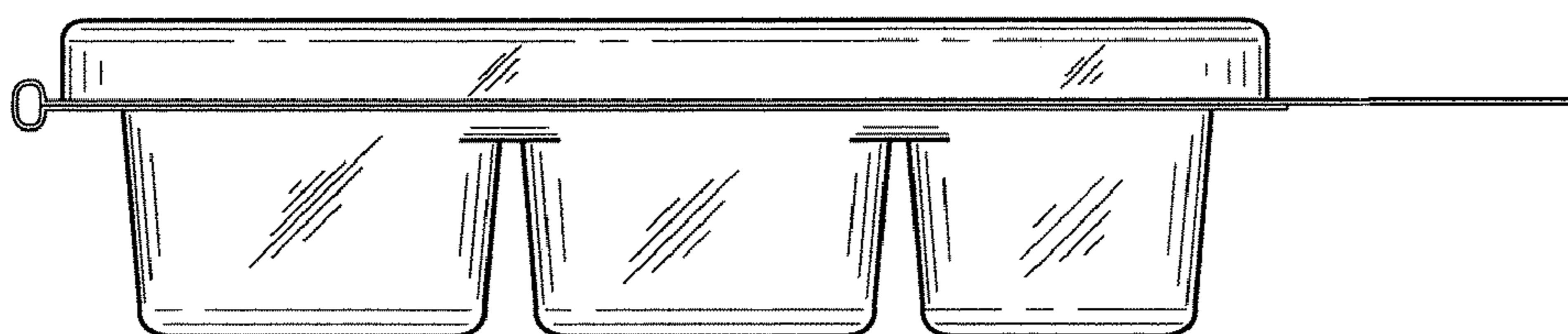


FIG. 5

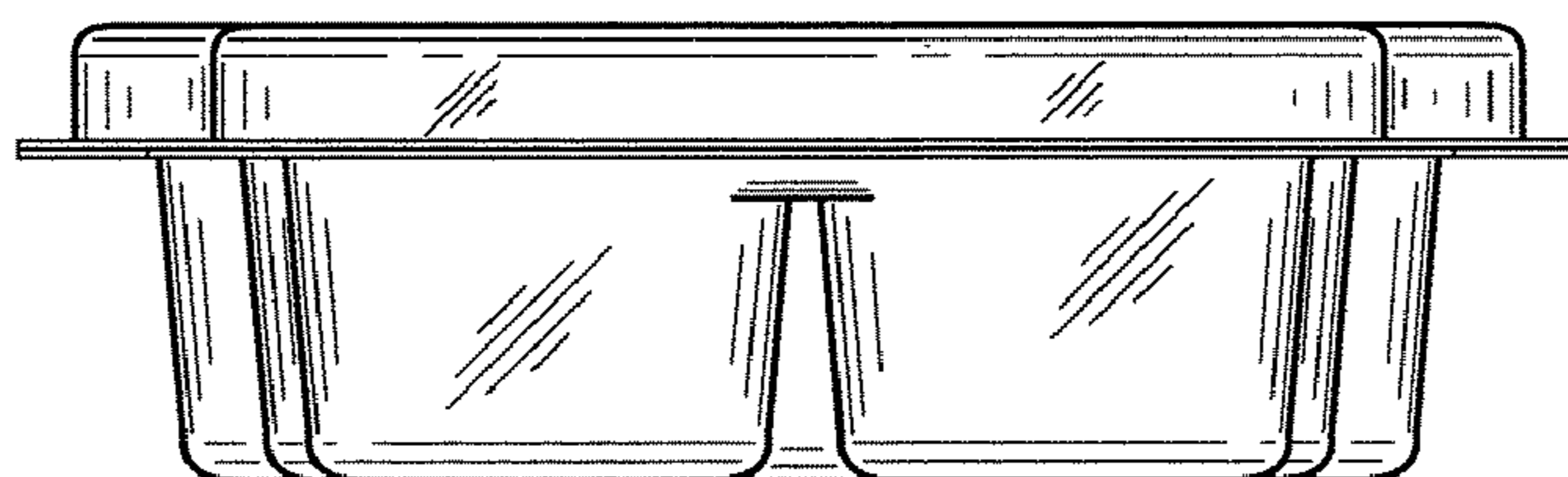


FIG. 6

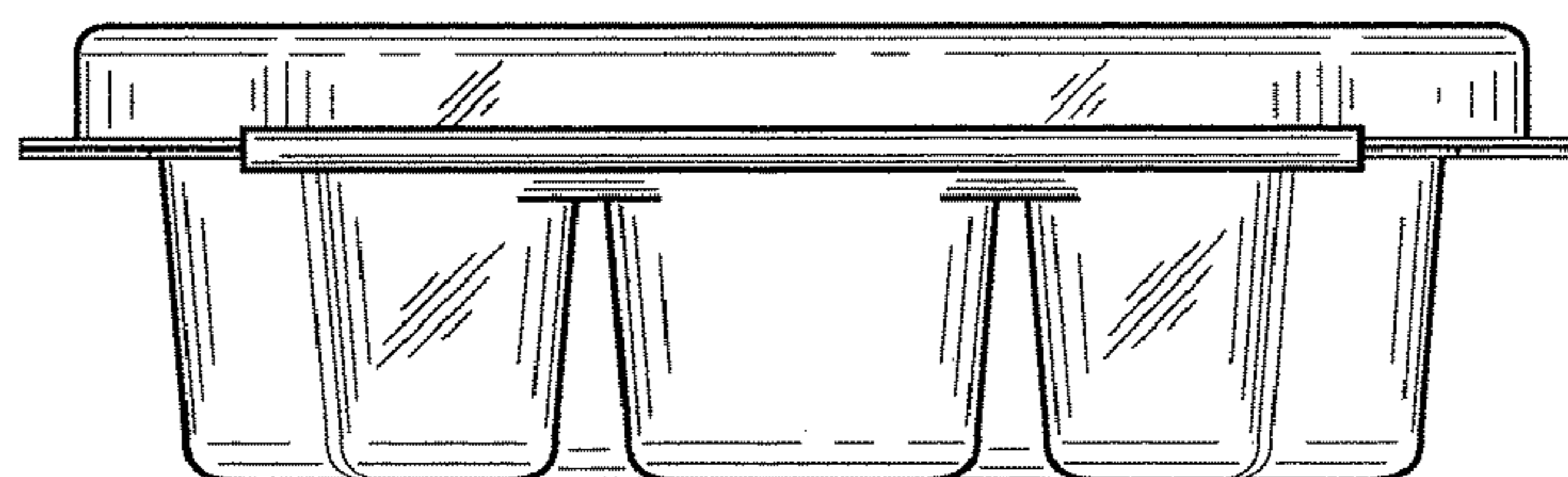


FIG. 7

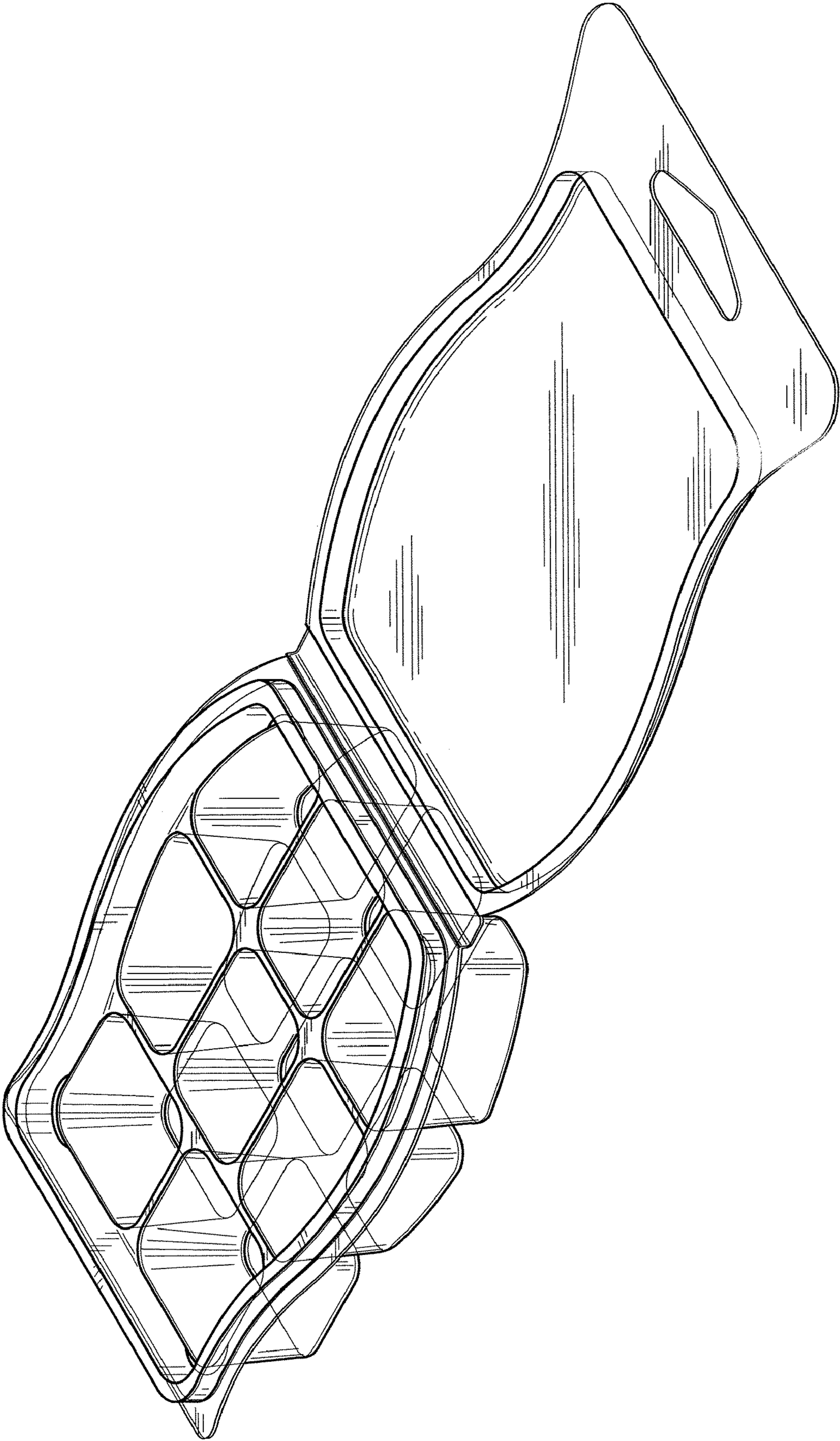


FIG. 8

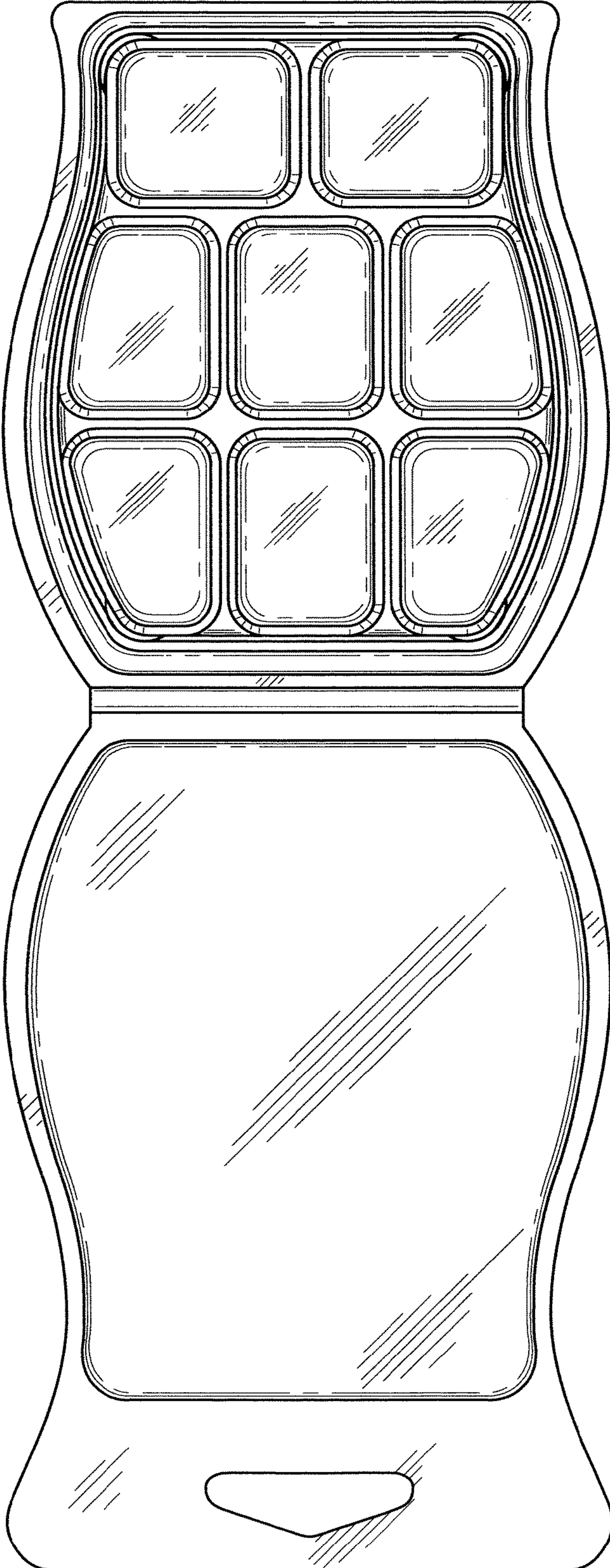


FIG. 9

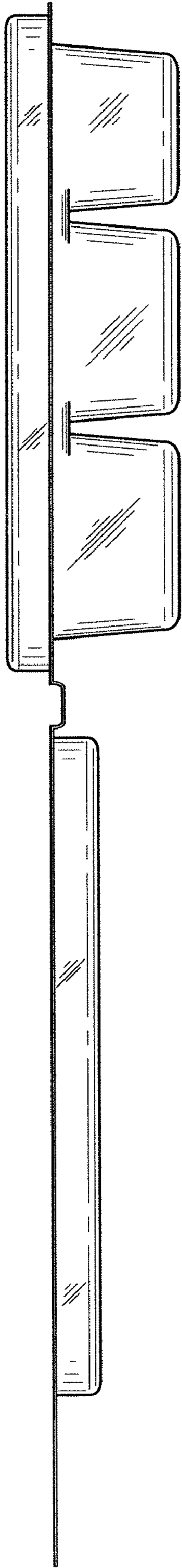


FIG. 10

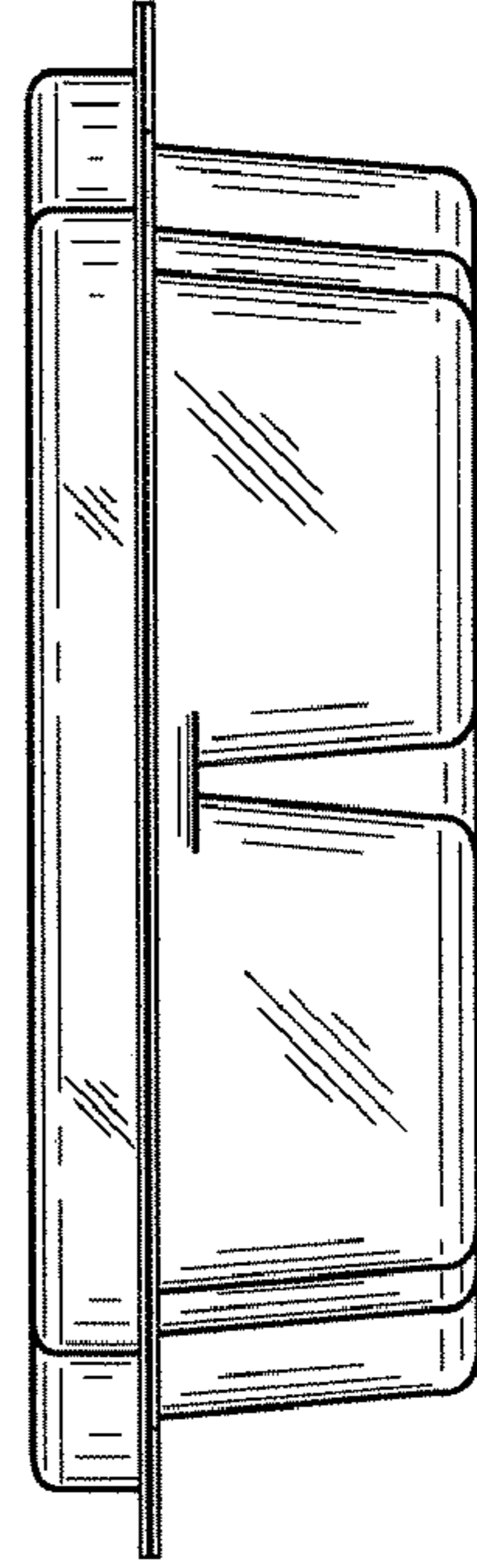


FIG. 11

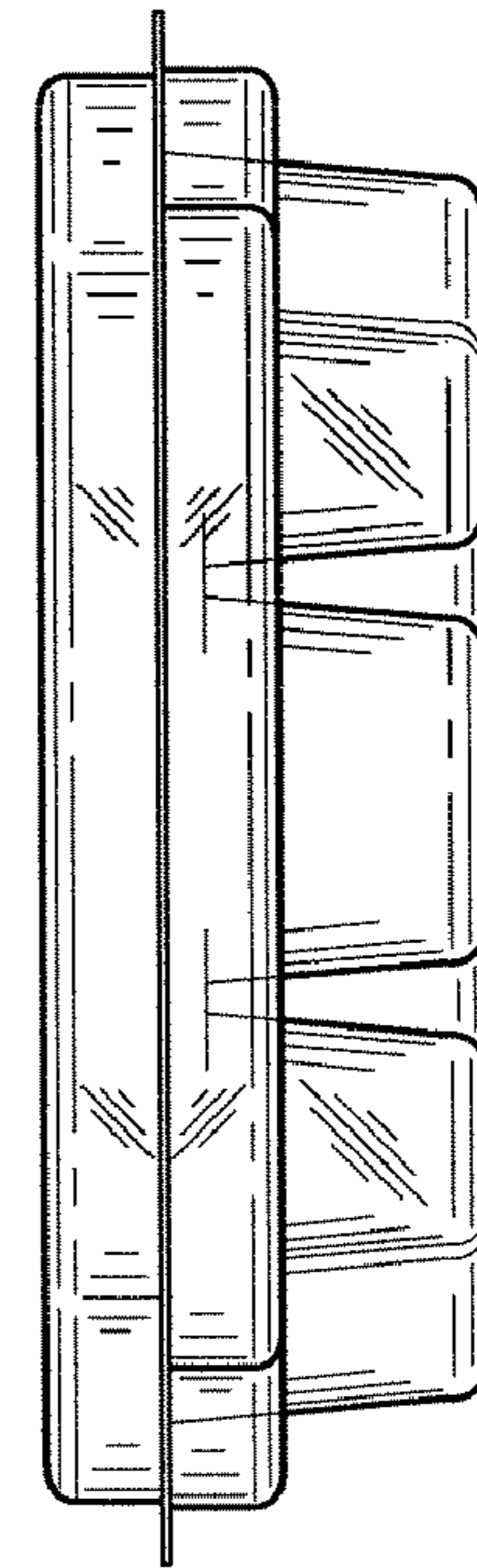


FIG. 12