



US00D641232S

(12) **United States Design Patent**
Stevens

(10) **Patent No.:** **US D641,232 S**

(45) **Date of Patent:** **** *Jul. 12, 2011**

(54) **KNOCKER**

(75) Inventor: **Scott B. Stevens**, St. Francis, WI (US)

(73) Assignee: **Master Lock Company LLC**, Oak Creek, WI (US)

(**) Term: **14 Years**

(21) Appl. No.: **29/365,432**

(22) Filed: **Jul. 9, 2010**

(51) **LOC (9) Cl.** **10-06**

(52) **U.S. Cl.** **D8/401**

(58) **Field of Classification Search** D8/306,
D8/400-499; D11/132, 133, 136; 16/126,
16/11 R; 116/155, 148, 16, 167; 446/422;
84/402, 410; 984/DIG. 1; D6/300, 492,
D6/494, 509, 510; D25/48

See application file for complete search history.

(56) **References Cited**

U.S. PATENT DOCUMENTS

D3,357 S *	2/1869	Pratt	D9/434
D66,915 S	3/1925	Wilson		
2,040,556 A *	5/1936	Lawrence	160/371
2,181,402 A	11/1939	Katz		
D202,877 S	11/1965	Morse		
D212,236 S *	9/1968	Merillat	D6/494
3,734,054 A	5/1973	Anderson		
D230,138 S *	1/1974	Weller	D9/425
D255,196 S *	6/1980	Durrant	D6/494
D276,132 S *	10/1984	Loeb	D8/331
D297,007 S *	8/1988	Pushelberg	D14/496
D321,491 S *	11/1991	Stagl	D11/132
D338,718 S *	8/1993	Izzo	D25/48
D375,424 S *	11/1996	Burwick	D6/492
D411,094 S	6/1999	Schultz		
D411,797 S *	7/1999	Schultz	D8/343

5,947,786 A *	9/1999	Glick	446/85
D416,720 S *	11/1999	Draheim et al.	D6/510
D442,848 S	5/2001	Schultz et al.		
D472,407 S *	4/2003	Lenger	D6/494
D518,700 S *	4/2006	Arosio	D8/300
D535,182 S	1/2007	Cutler		
D541,689 S *	5/2007	Meyers et al.	D10/118
D551,056 S	9/2007	Ricereto		
D561,557 S	2/2008	McConnell		
D571,184 S	6/2008	Ricereto		
D572,667 S *	7/2008	Mayo et al.	D13/170
D576,432 S *	9/2008	Siekmann	D6/509
2003/0094358 A1 *	5/2003	Bui et al.	200/341

* cited by examiner

Primary Examiner — Cathron C Brooks

Assistant Examiner — Barbara Fox

(74) *Attorney, Agent, or Firm* — Calfee, Halter & Griswold LLP

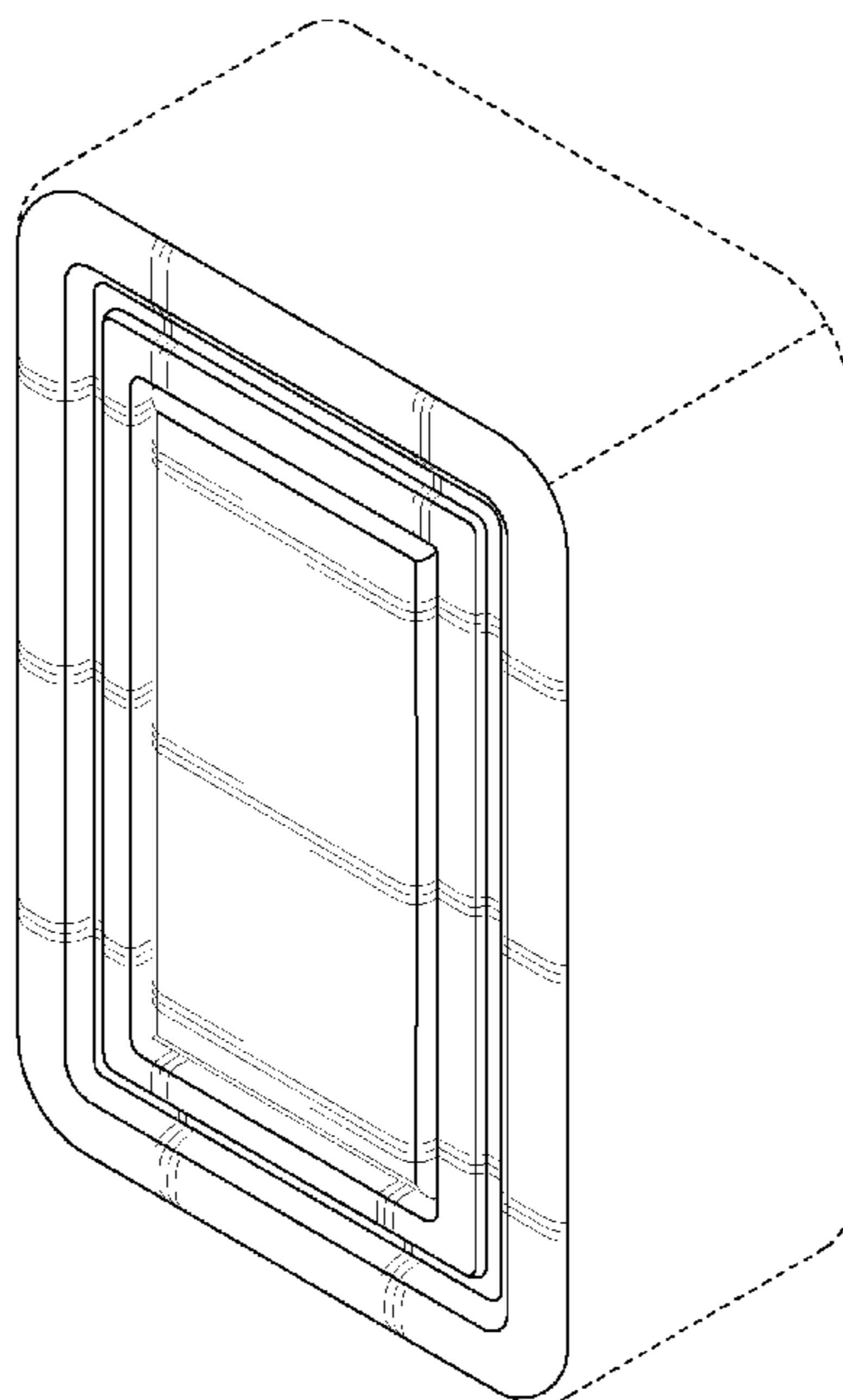
(57) **CLAIM**

I claim the ornamental design for a knocker, as shown and described.

DESCRIPTION

FIG. 1 is a front perspective view of a knocker showing the new design;
FIG. 2 is a left side view of the knocker of FIG. 1;
FIG. 3 is a right side view of the knocker of FIG. 1;
FIG. 4 is a front view of the knocker of FIG. 1;
FIG. 5 is a rear view of the knocker of FIG. 1;
FIG. 6 is a top view of the knocker of FIG. 1; and,
FIG. 7 is a bottom view of the knocker of FIG. 1.
The broken lines shown in the drawings are for the purpose of illustrating unclaimed portions of the knocker and form no part of the claimed design.

1 Claim, 3 Drawing Sheets



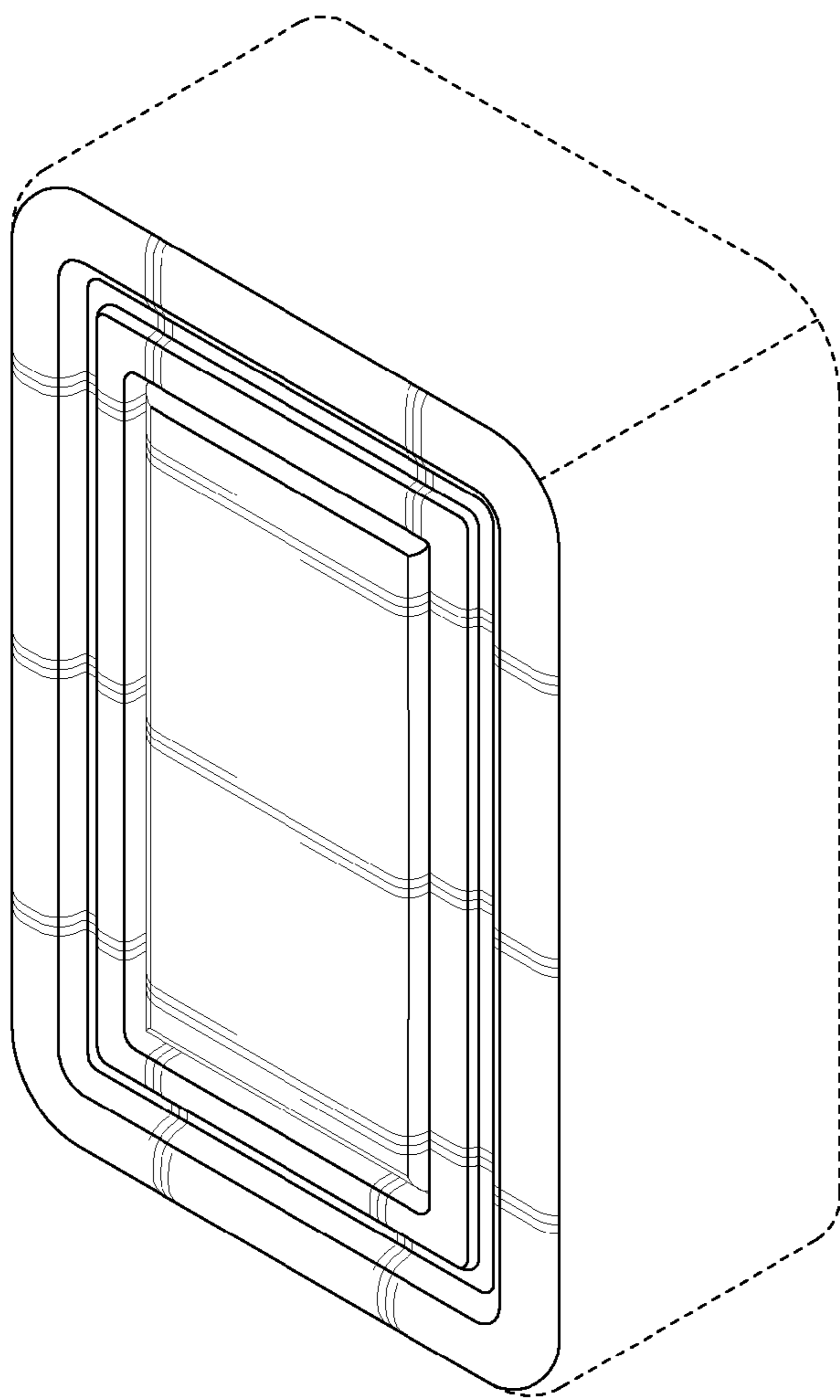


FIG. 1



FIG. 2

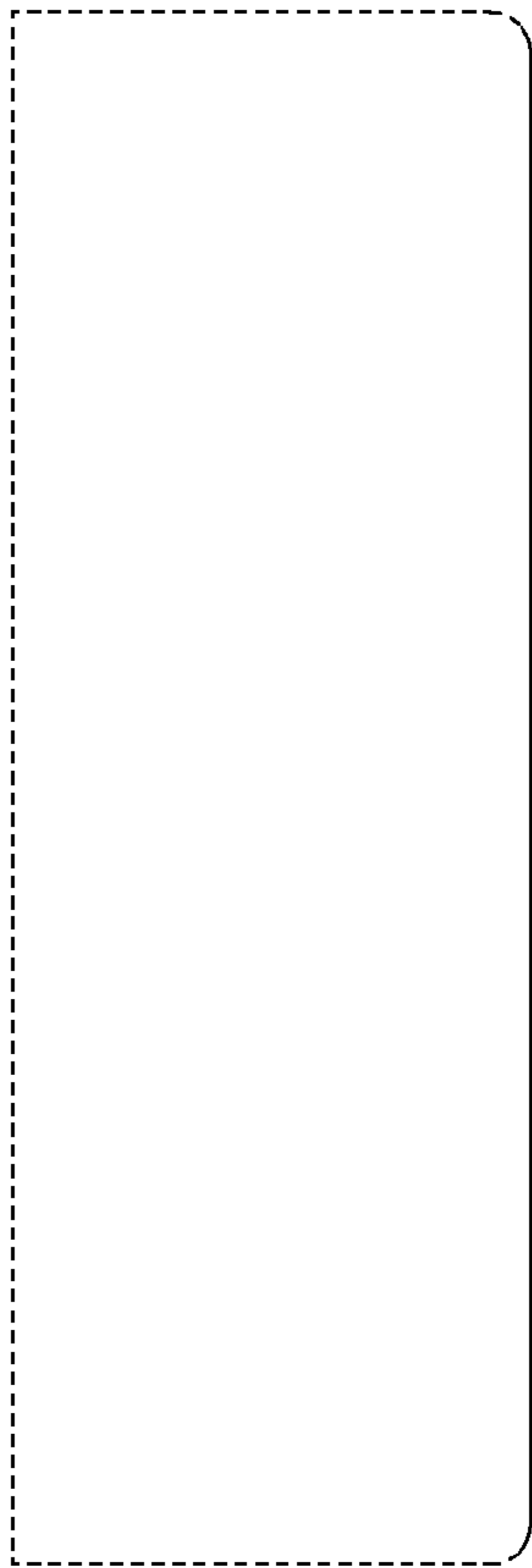


FIG. 3

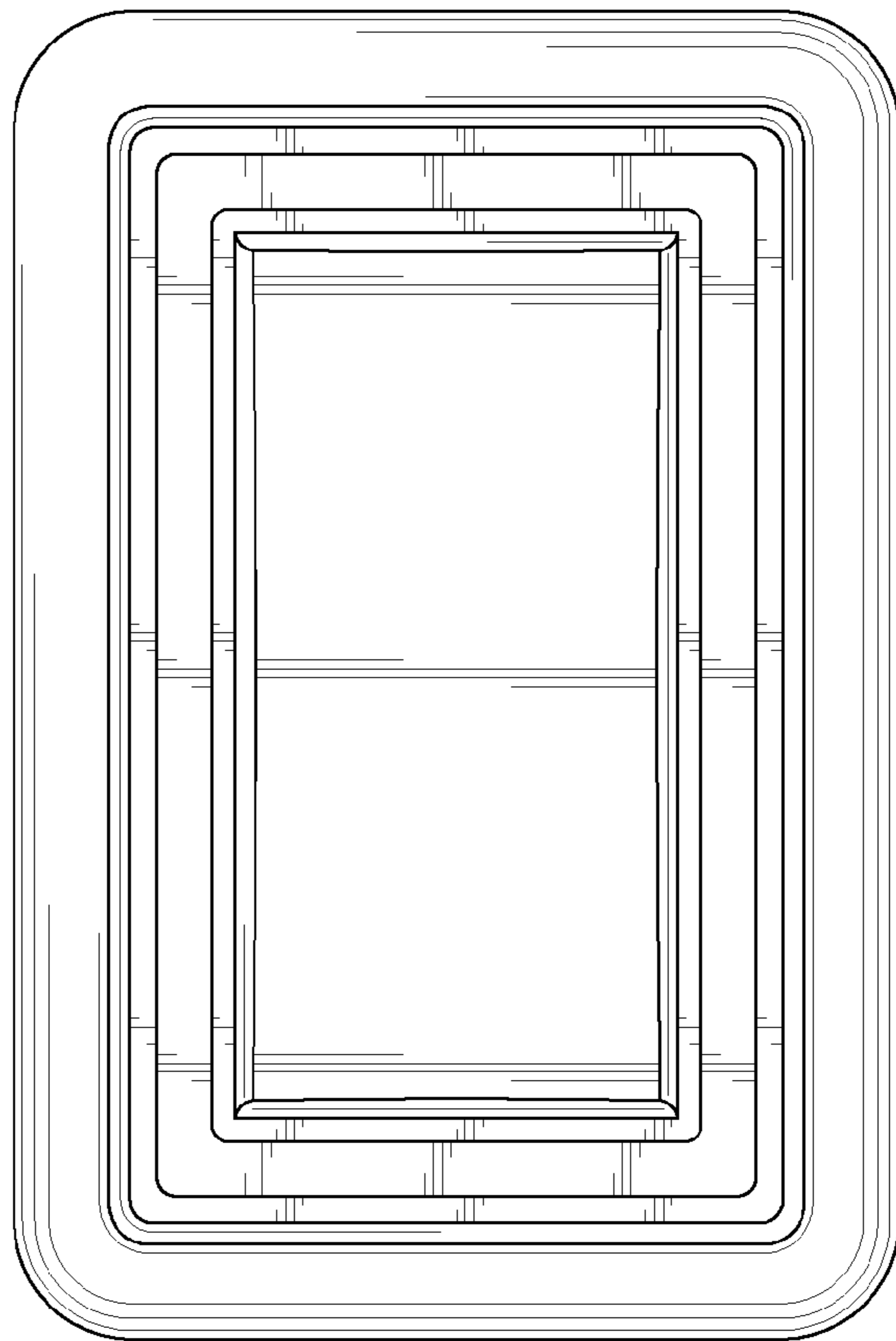


FIG. 4

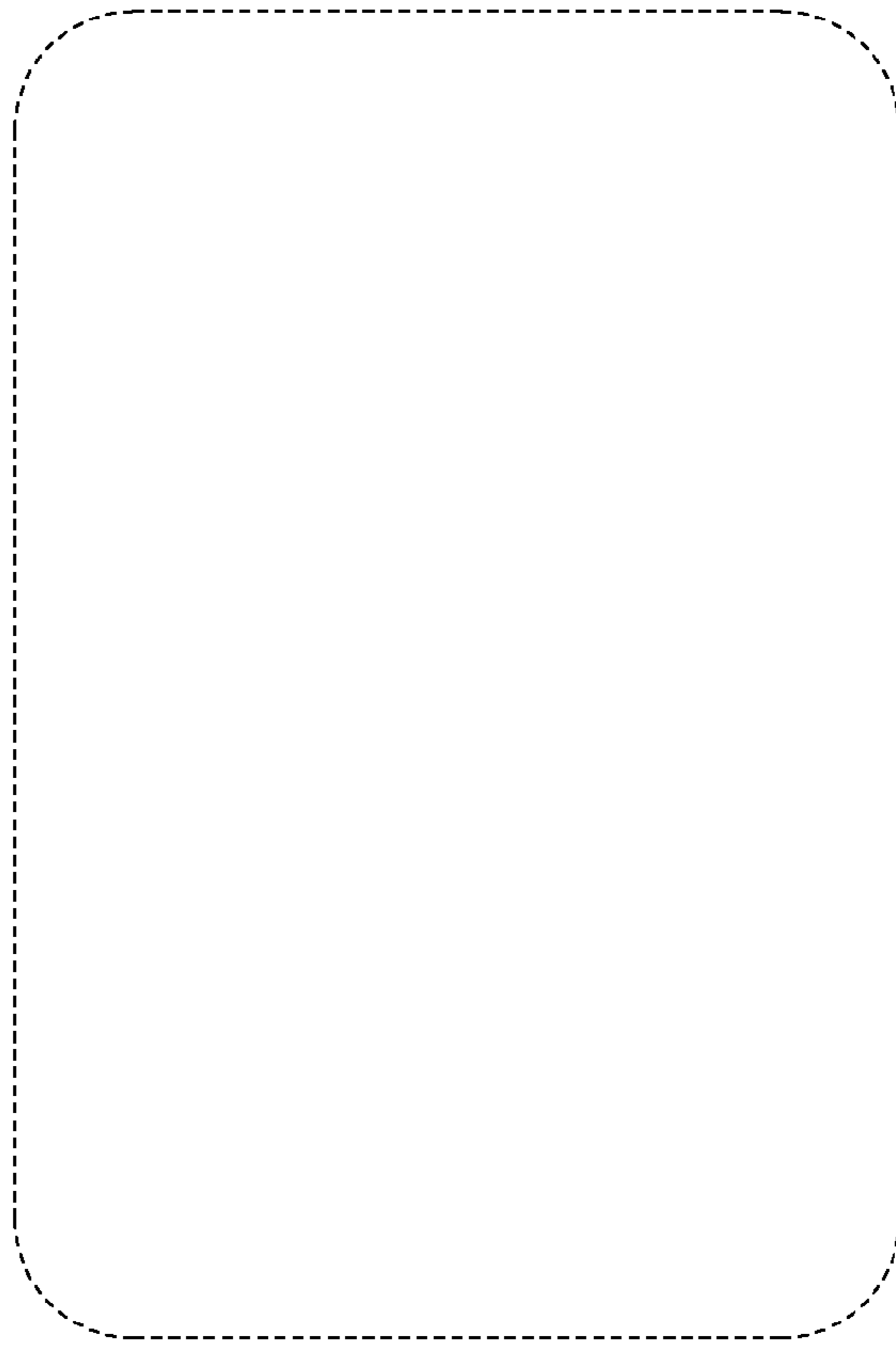


FIG. 5

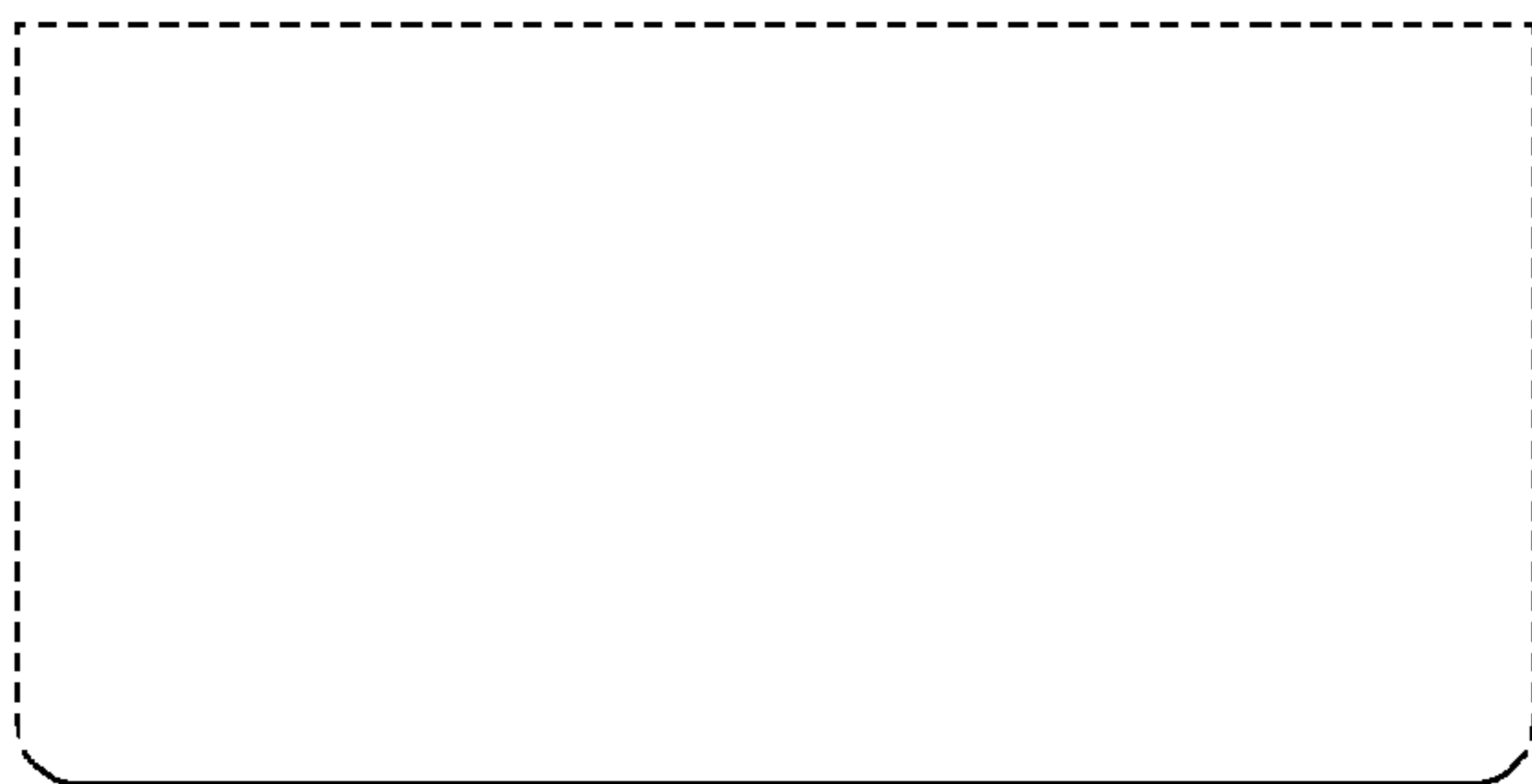


FIG. 6

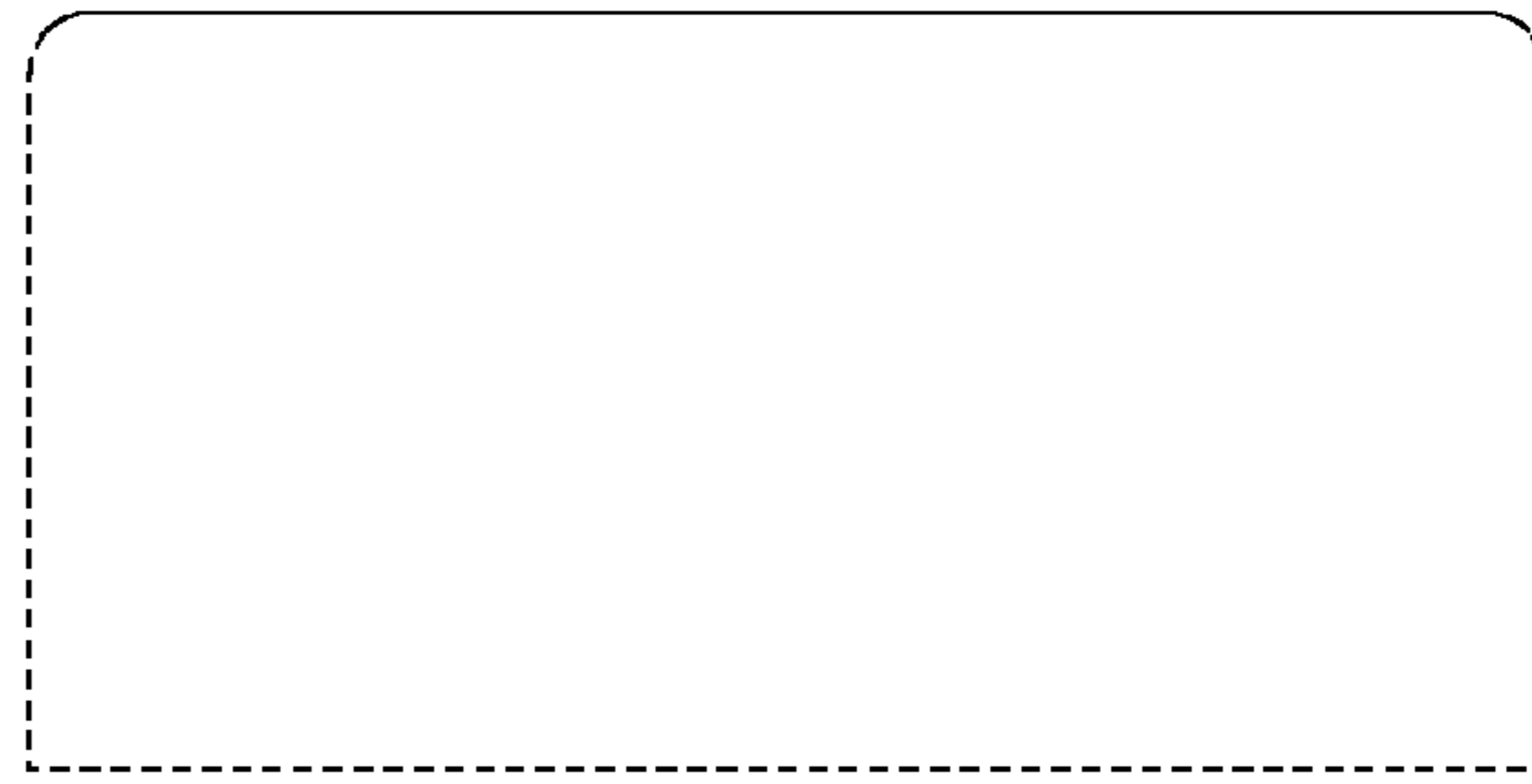


FIG. 7