



US00D641226S

(12) **United States Design Patent**
Friel, Sr. et al.

(10) **Patent No.:** **US D641,226 S**
(45) **Date of Patent:** **** Jul. 12, 2011**

(54) **TWO STAGE MANUAL KNIFE SHARPENER**

(75) Inventors: **Daniel D. Friel, Sr.**, Greenville, DE
(US); **Thomas M. Huber**, Dover, DE
(US)

(73) Assignee: **Edgecraft Corporation**, Avondale, PA
(US)

(**) Term: **14 Years**

(21) Appl. No.: **29/364,197**

(22) Filed: **Jun. 21, 2010**

(51) **LOC (9) Cl.** **08-05**

(52) **U.S. Cl.** **D8/93**

(58) **Field of Classification Search** D8/63,
D8/90-94; 76/82, 84, 86-89; 451/192-194,
451/552, 555-558

See application file for complete search history.

(56) **References Cited**

U.S. PATENT DOCUMENTS

D142,880 S *	11/1945	Loucony	D8/93
D145,803 S *	10/1946	Jones	D8/93
D151,324 S *	10/1948	Chapin et al.	D8/93
D173,204 S *	10/1954	Hussar	D8/93
2,799,125 A *	7/1957	Dicke	451/194
D202,799 S	11/1965	Fano		
4,627,194 A	12/1986	Friel		
4,716,689 A	1/1988	Friel		
D299,308 S *	1/1989	Prindle	D8/93
4,807,399 A	2/1989	Friel		
D303,209 S	9/1989	Friel		
D308,018 S *	5/1990	Linden et al.	D8/93
4,928,436 A *	5/1990	Linden	451/192
D309,414 S *	7/1990	Shimizu	D8/93
D309,415 S *	7/1990	Shimizu	D8/93
D310,620 S	9/1990	Friel		
5,005,319 A	4/1991	Friel		
D328,410 S	8/1992	Friel		
5,148,634 A	9/1992	Bigliano		

5,245,791 A	9/1993	Bigliano
5,611,726 A	3/1997	Friel
D409,891 S	5/1999	Friel
6,012,971 A	1/2000	Friel
6,113,476 A	9/2000	Friel
6,267,652 B1	7/2001	Friel
6,802,763 B1	10/2004	Leung
6,863,600 B2	3/2005	Friel
6,875,093 B2	4/2005	Friel
D542,616 S	5/2007	Elek
D543,430 S	5/2007	Barr
7,235,004 B2	6/2007	Friel
D567,611 S	4/2008	Elek
D575,124 S	8/2008	Smith
D587,551 S	3/2009	Friel
7,517,275 B2	4/2009	Friel
2003/0236061 A1	12/2003	Li
2004/0077296 A1	4/2004	Friel

* cited by examiner

Primary Examiner — Phillip S Hyder

Assistant Examiner — Roselynn Cody

(74) *Attorney, Agent, or Firm* — Connolly Bove Lodge & Hutz

(57) **CLAIM**

The ornamental design for a two stage manual knife sharpener, as shown and described.

DESCRIPTION

FIG. 1 is a perspective view of a two stage manual knife sharpener showing our new design;

FIG. 2 is a right side elevational view thereof with the left side being identical;

FIG. 3 is a front elevational view thereof;

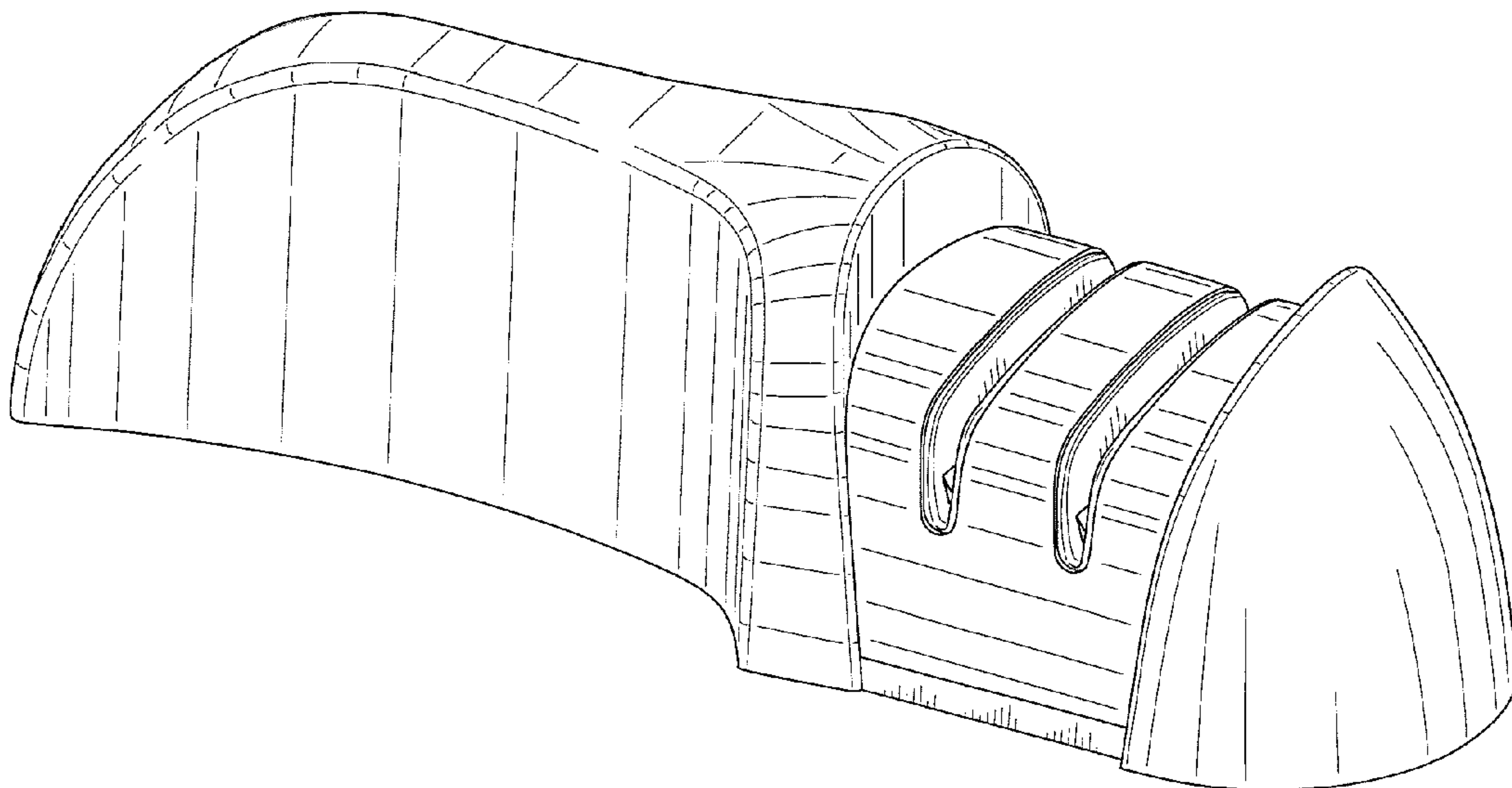
FIG. 4 is a rear elevational view thereof;

FIG. 5 is a top plan view thereof; and,

FIG. 6 is a bottom plan view thereof.

The broken lines in FIG. 6 illustrate portions of the design that form no part of the claim.

1 Claim, 5 Drawing Sheets



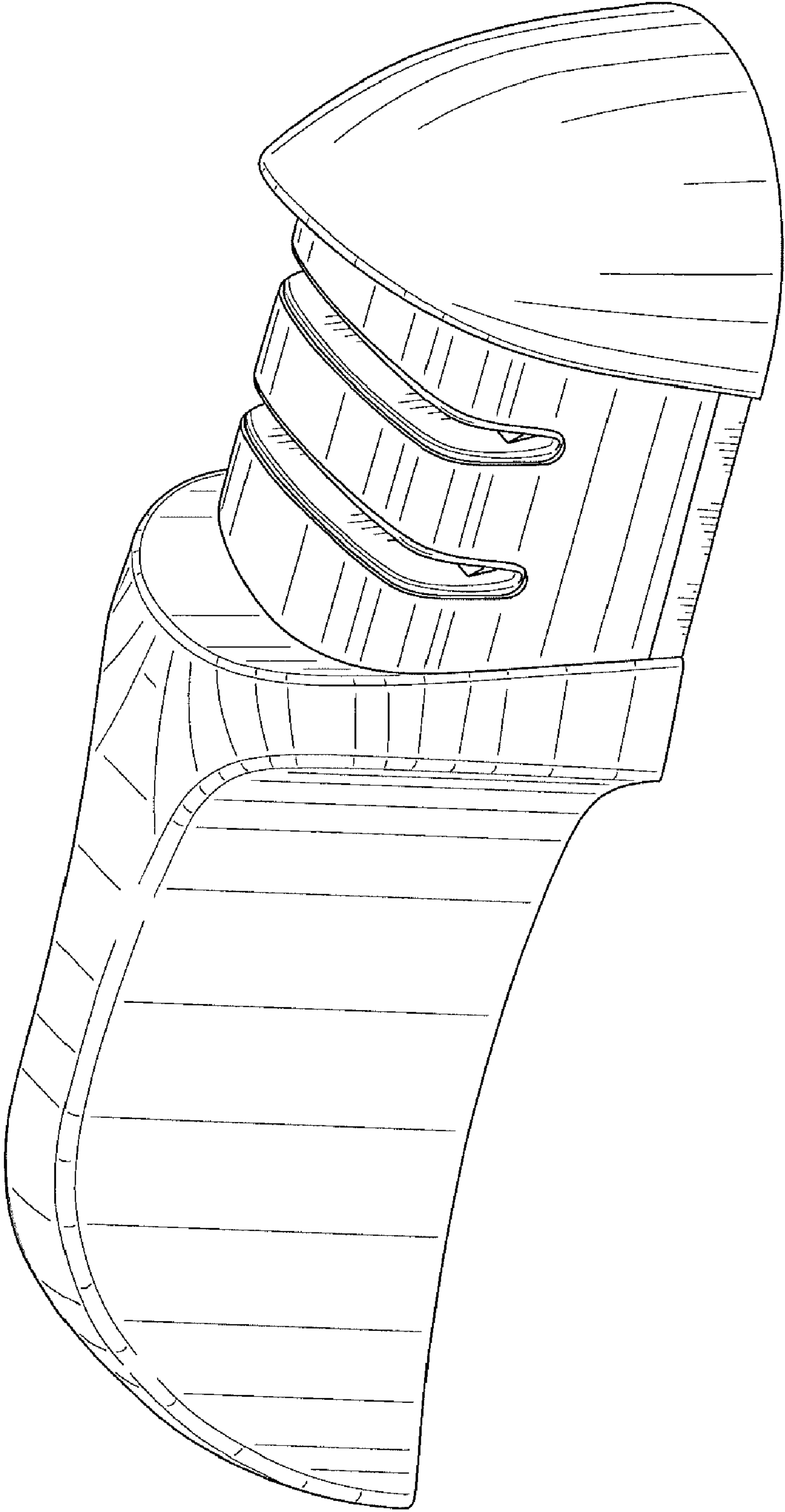


FIG. 1

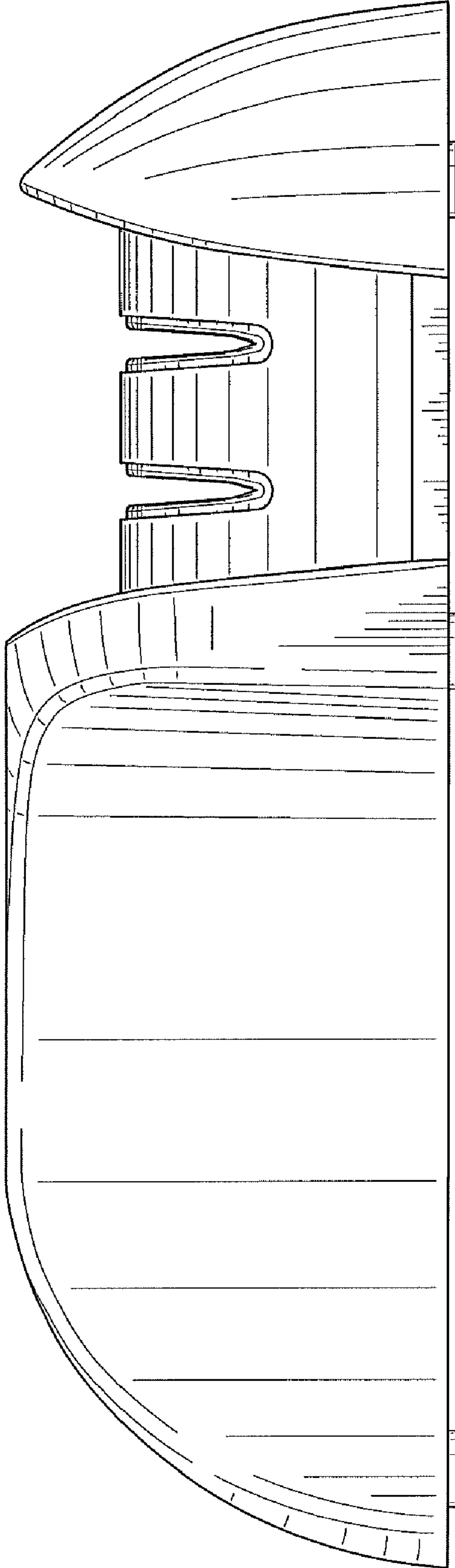


FIG. 2

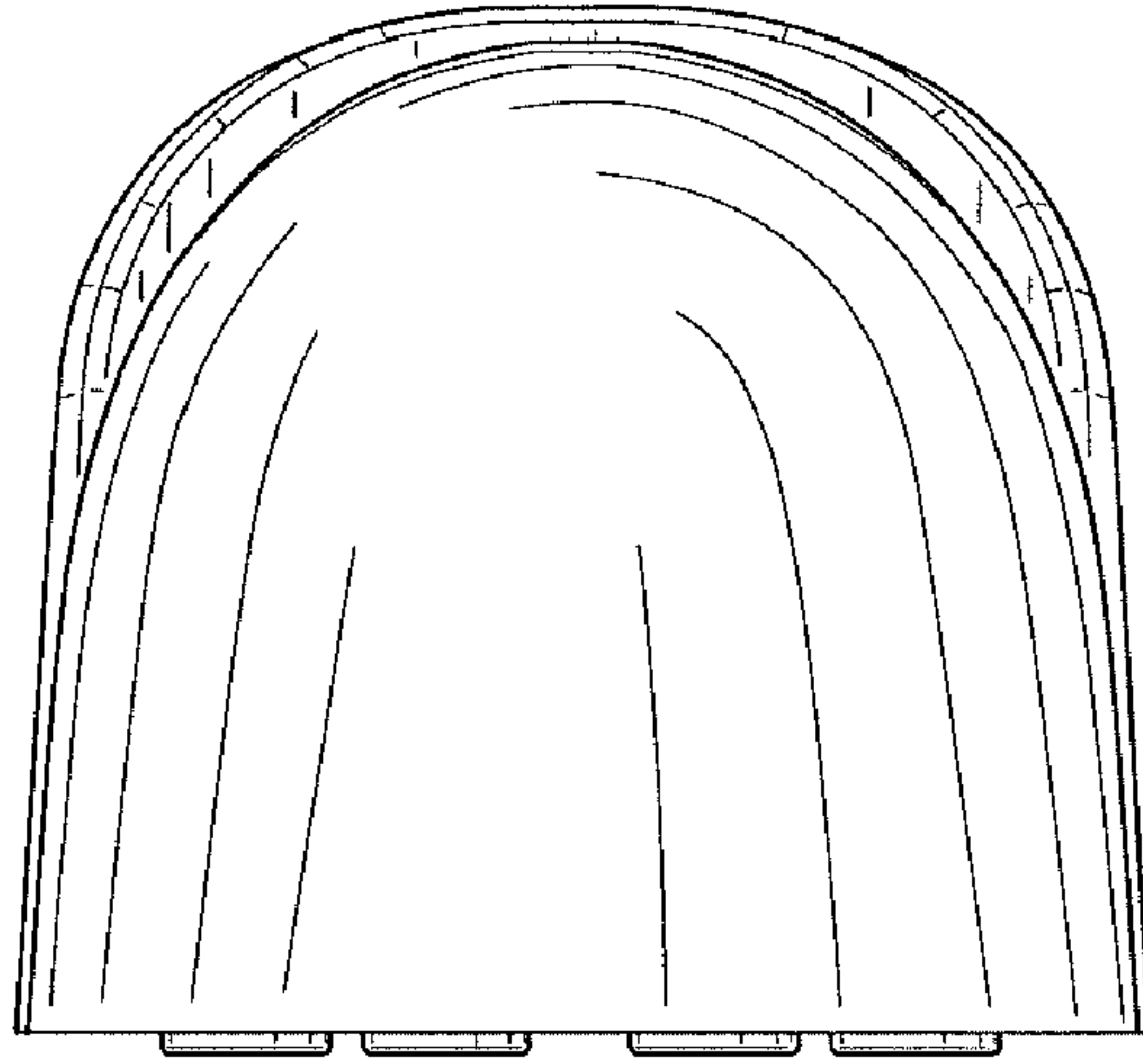


FIG. 3

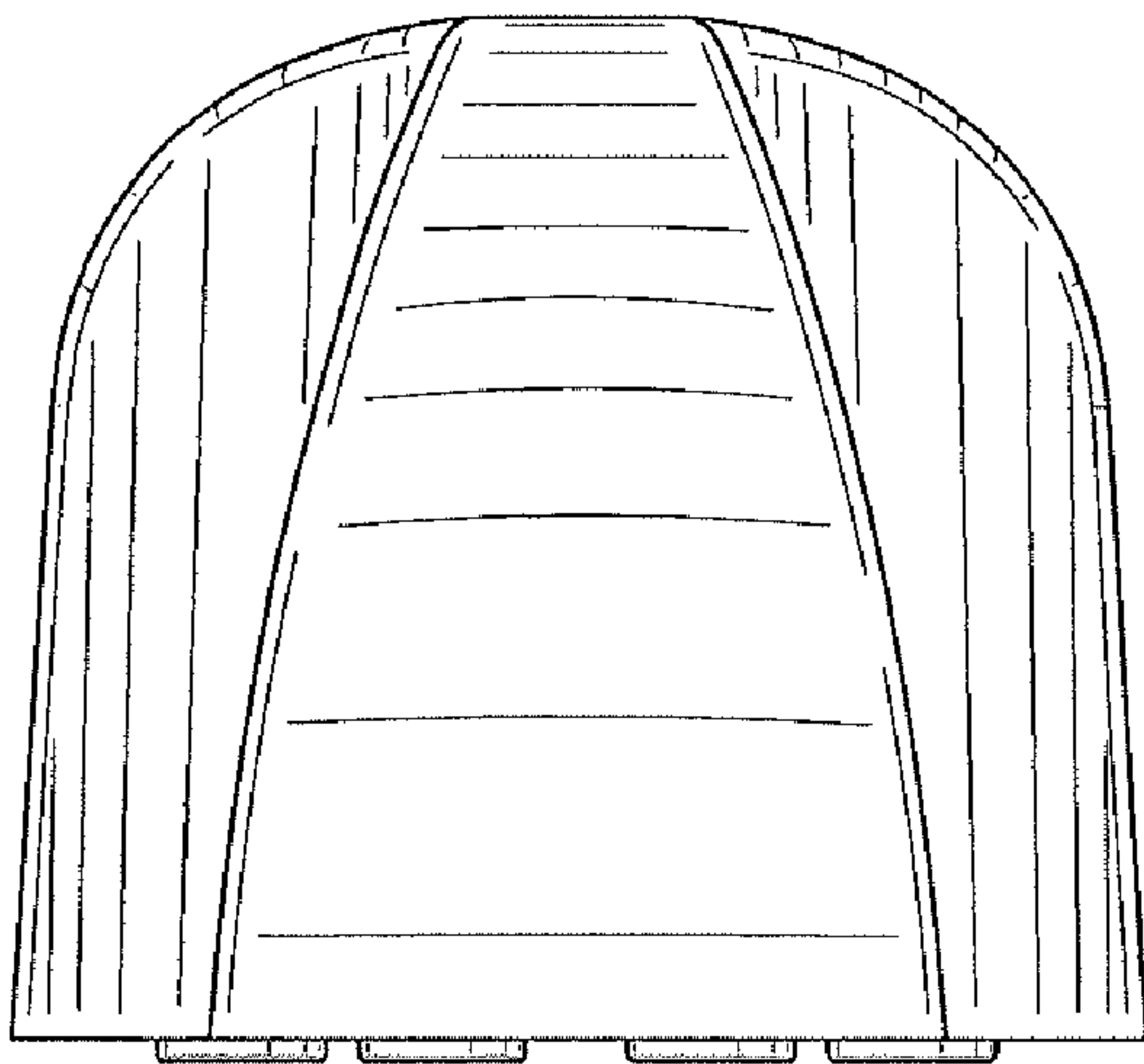


FIG. 4

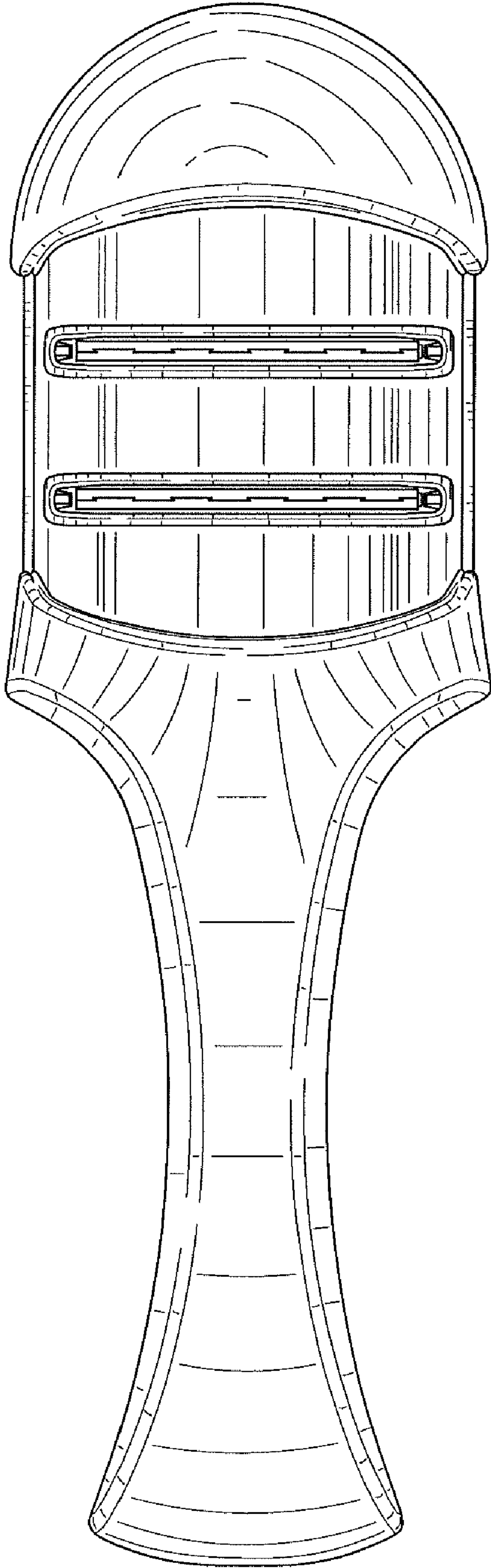


FIG. 5

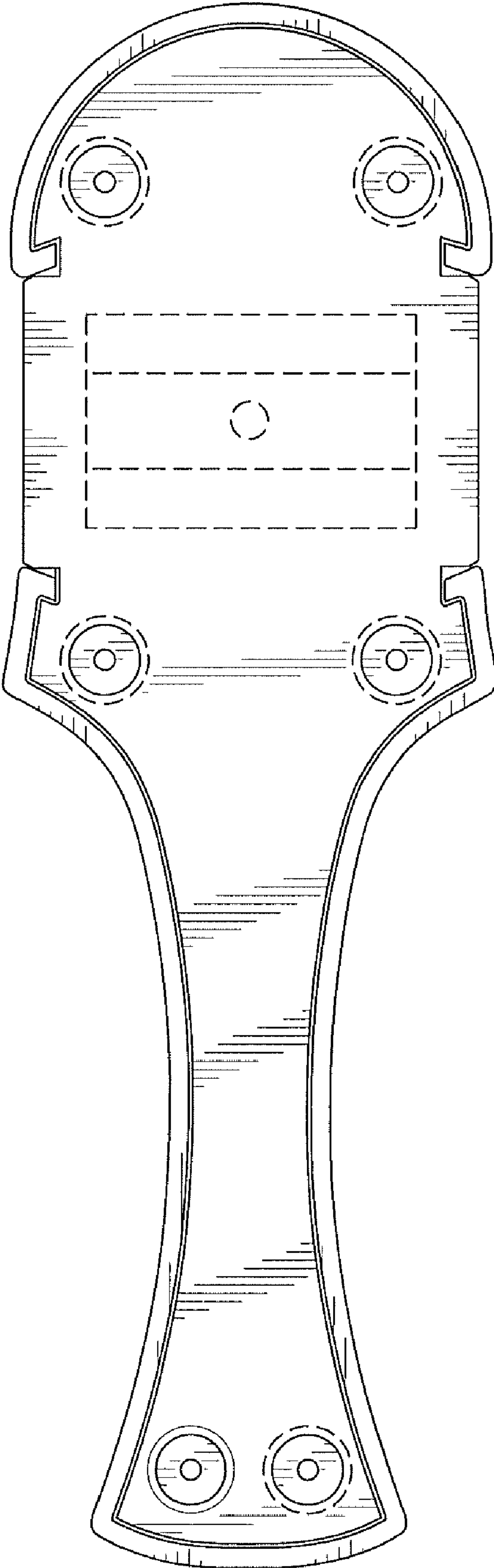


FIG. 6