



US00D641225S

(12) **United States Design Patent**  
**Friel, Sr. et al.**

(10) **Patent No.:** **US D641,225 S**  
(45) **Date of Patent:** **\*\* Jul. 12, 2011**

- (54) **THREE STAGE MANUAL KNIFE SHARPENER**
  - (75) Inventors: **Daniel D. Friel, Sr.**, Greenville, DE (US); **Thomas M. Huber**, Dover, DE (US)
  - (73) Assignee: **Edgecraft Corporation**, Avondale, PA (US)
  - (\*\*) Term: **14 Years**
  - (21) Appl. No.: **29/364,195**
  - (22) Filed: **Jun. 21, 2010**
  - (51) **LOC (9) Cl.** ..... **08-05**
  - (52) **U.S. Cl.** ..... **D8/93**
  - (58) **Field of Classification Search** ..... D8/63, D8/90-94; 76/82, 84, 86-89; 451/192-194, 451/552, 555-558
- See application file for complete search history.

- 5,148,634 A 9/1992 Bigliano
- 5,245,791 A 9/1993 Bigliano
- 5,611,726 A 3/1997 Friel
- D409,891 S 5/1999 Friel
- 6,012,971 A 1/2000 Friel
- 6,113,476 A 9/2000 Friel
- 6,267,652 B1 7/2001 Friel
- 6,802,763 B1 10/2004 Leung
- 6,863,600 B2 3/2005 Friel
- 6,875,093 B2 4/2005 Friel
- D542,616 S 5/2007 Elek
- D543,430 S 5/2007 Barr
- 7,235,004 B2 6/2007 Friel
- D567,611 S 4/2008 Elek
- D575,124 S 8/2008 Smith
- D587,551 S 3/2009 Friel
- 7,517,275 B2 4/2009 Friel
- 2003/0236061 A1 12/2003 Li
- 2004/0077296 A1 4/2004 Friel

\* cited by examiner

*Primary Examiner* — Phillip S Hyder  
*Assistant Examiner* — Roselynn Cody  
(74) *Attorney, Agent, or Firm* — Connolly Bove Lodge & Hutz

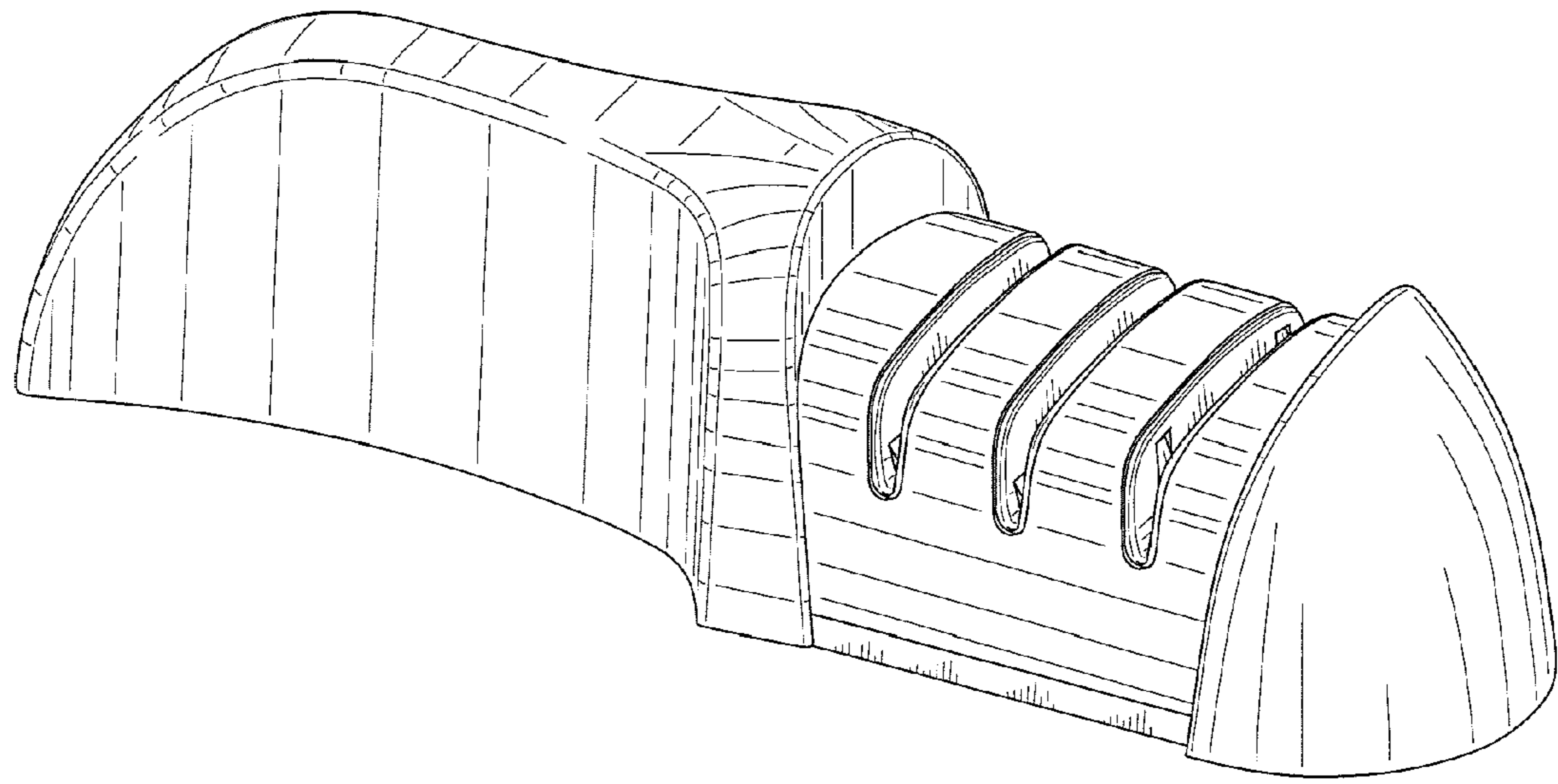
- (56) **References Cited**
- U.S. PATENT DOCUMENTS
- D142,880 S \* 11/1945 Loucony ..... D8/93
- D145,803 S \* 10/1946 Jones ..... D8/93
- D151,324 S \* 10/1948 Chapin et al. .... D8/93
- D173,204 S \* 10/1954 Hussar ..... D8/93
- 2,799,125 A \* 7/1957 Dicke ..... 451/194
- D202,799 S 11/1965 Fano
- 4,627,194 A 12/1986 Friel
- 4,716,689 A 1/1988 Friel
- D299,308 S \* 1/1989 Prindle ..... D8/93
- 4,807,399 A 2/1989 Friel
- D303,209 S 9/1989 Friel
- D308,018 S \* 5/1990 Linden et al. .... D8/93
- 4,928,436 A \* 5/1990 Linden ..... 451/192
- D309,414 S \* 7/1990 Shimizu ..... D8/93
- D309,415 S \* 7/1990 Shimizu ..... D8/93
- D310,620 S 9/1990 Friel
- 5,005,319 A 4/1991 Friel
- D328,410 S 8/1992 Friel

(57) **CLAIM**  
The ornamental design for a three stage manual knife sharpener, as shown and described.

**DESCRIPTION**

FIG. 1 is a perspective view of a three stage manual knife sharpener showing our new design;  
FIG. 2 is a right side elevational view thereof with the left side being identical;  
FIG. 3 is a front elevational view thereof;  
FIG. 4 is a rear elevational view thereof;  
FIG. 5 is a top plan view thereof; and,  
FIG. 6 is a bottom plan view thereof.  
The broken lines in FIG. 6 illustrate portions of the design that form no part of the claim.

**1 Claim, 5 Drawing Sheets**



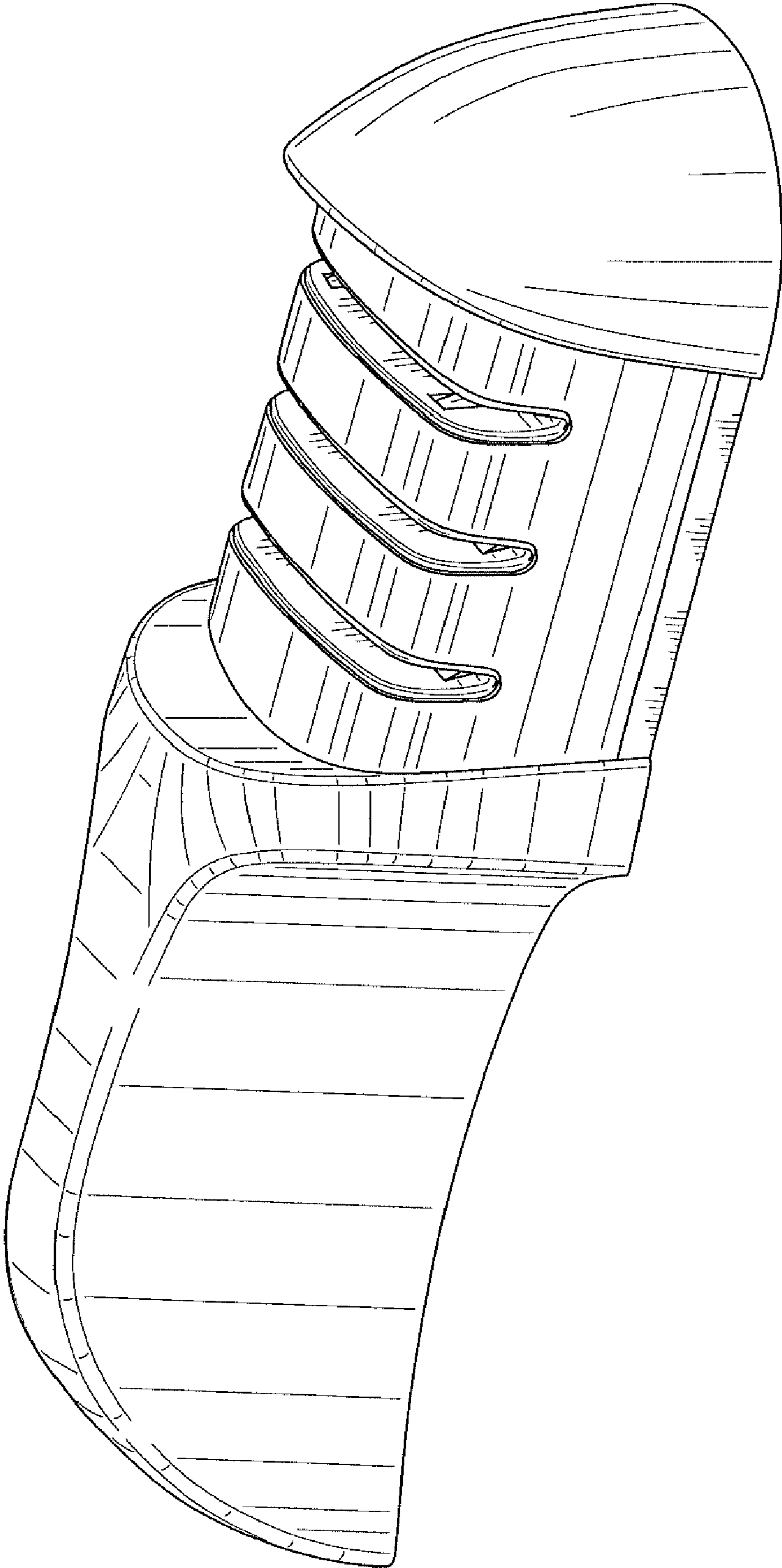


FIG. 1

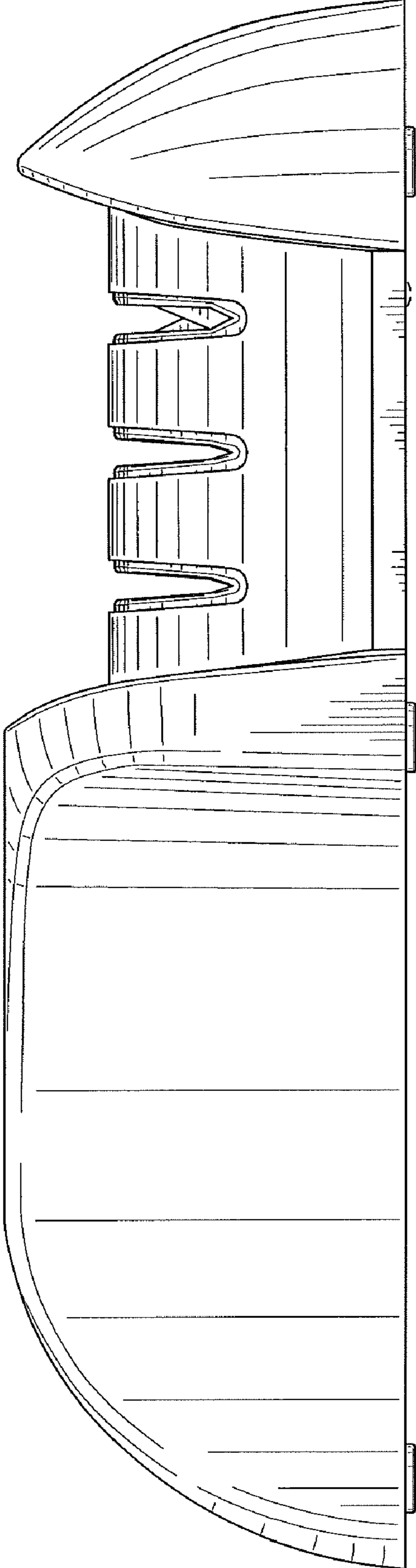


FIG. 2

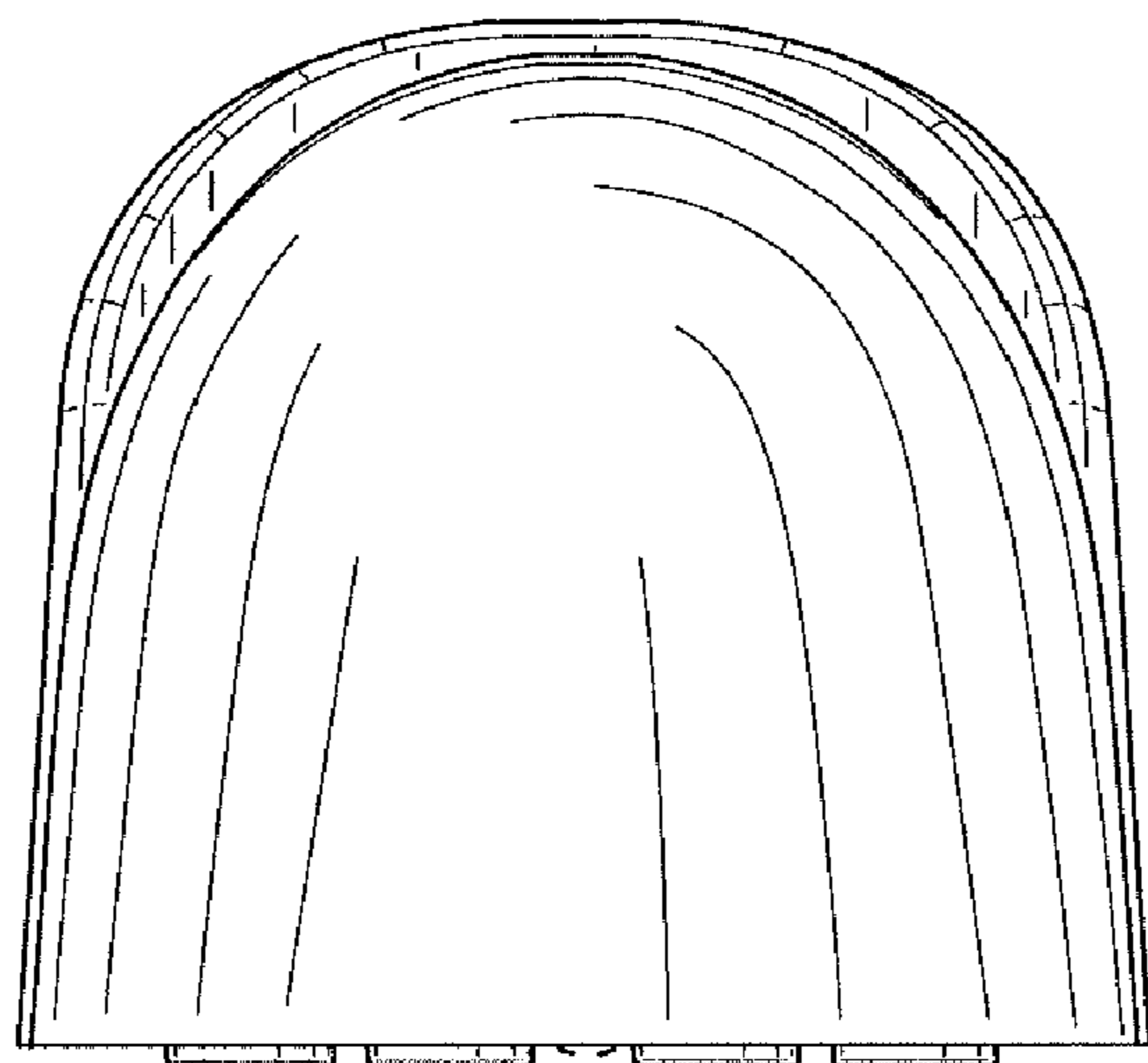


FIG. 3

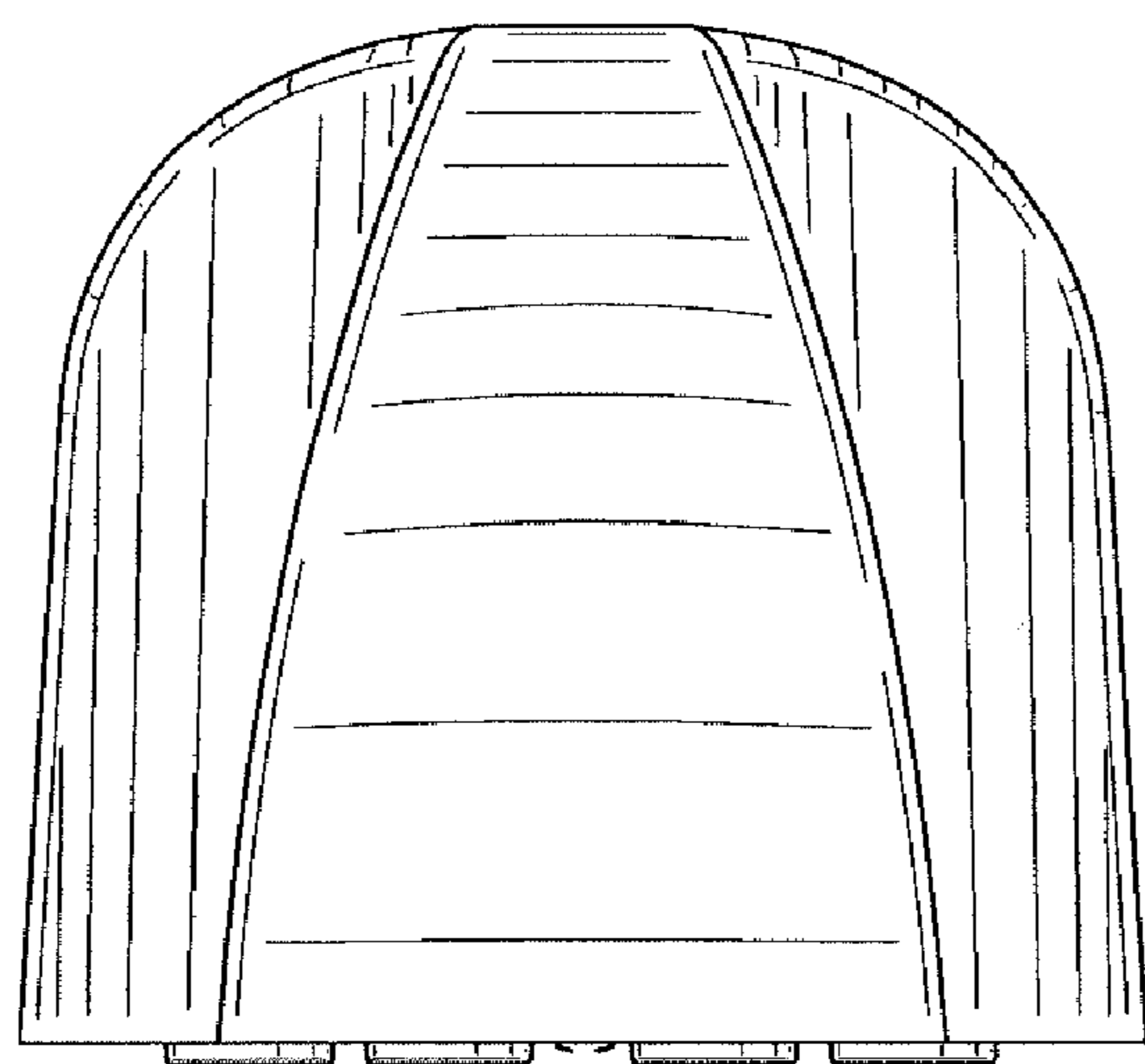


FIG. 4

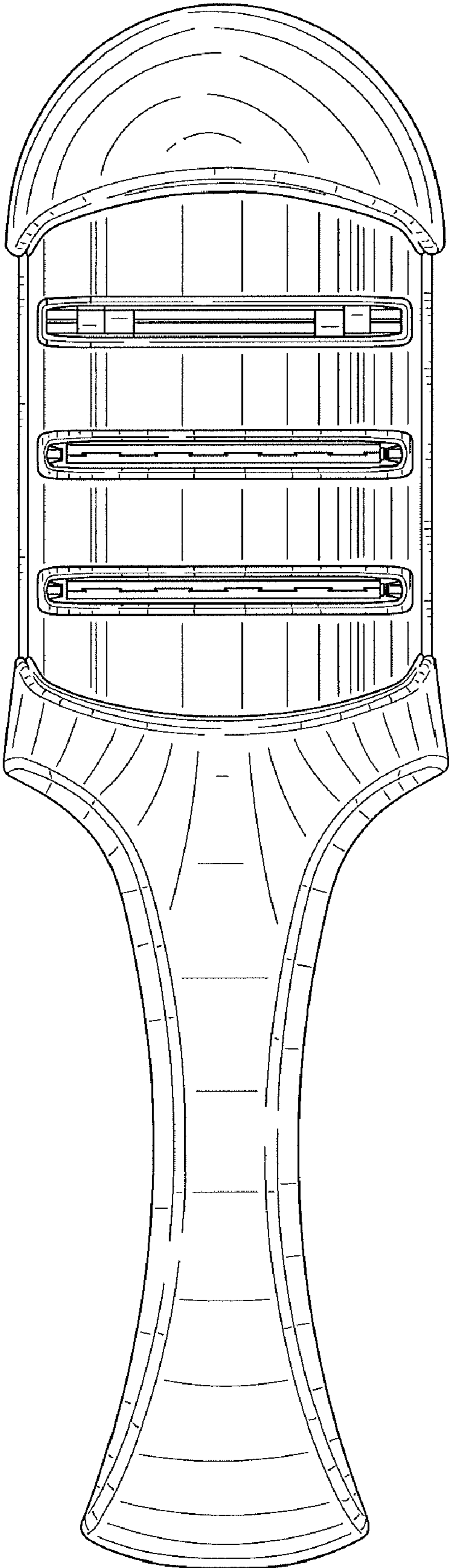


FIG. 5

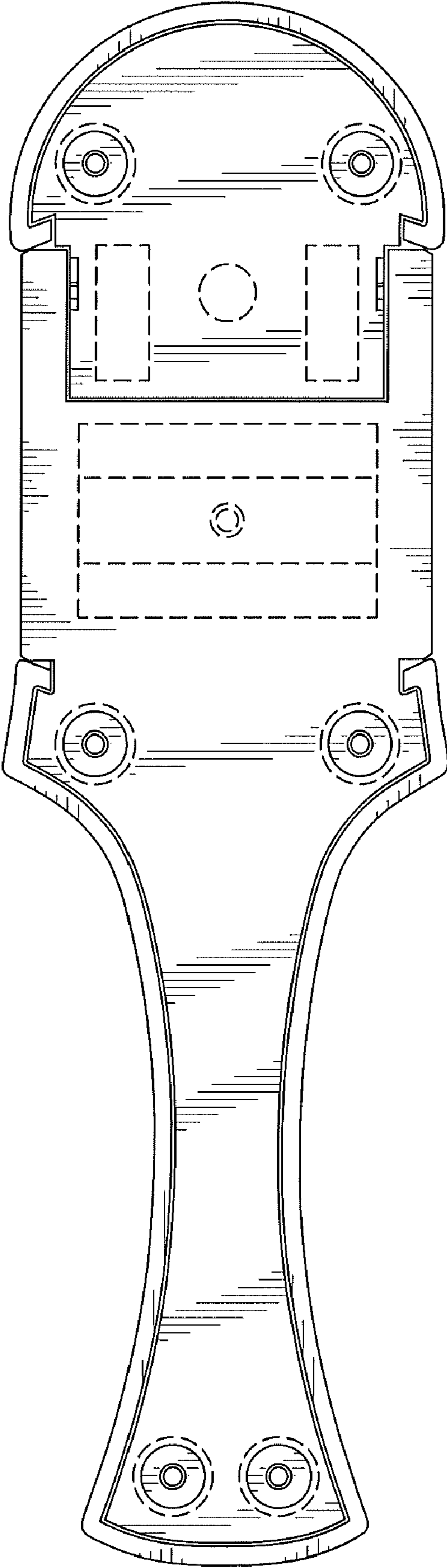


FIG. 6