



US00D641221S

(12) **United States Design Patent**
Miyazaki

(10) **Patent No.:** **US D641,221 S**
(45) **Date of Patent:** **** Jul. 12, 2011**

(54) **HANDLE FOR WIRE INSULATION STRIPPING TOOL**

6,972,396 B2 * 12/2005 Miyazaki 219/229
D548,554 S 8/2007 Miyazaki
D564,318 S 3/2008 Miyazaki
D576,468 S * 9/2008 Lipscomb et al. D8/107

(75) Inventor: **Mitsuhiko Miyazaki**, Osaka (JP)

(73) Assignee: **Hakko Corporation**, Osaka (JP)

(**) Term: **14 Years**

(21) Appl. No.: **29/385,371**

(22) Filed: **Feb. 11, 2011**

(30) **Foreign Application Priority Data**

Nov. 29, 2010 (JP) D2010-028363

(51) **LOC (9) Cl.** **08-05**

(52) **U.S. Cl.** **D8/29.1; D8/30; D8/51**

(58) **Field of Classification Search** D8/14,
D8/1, 29.1-29.2, 30, 48-52, 107; 30/90.1,
30/90.3; 81/9.4, 9.41-9.44; 219/221, 225,
219/235, 240, 241

See application file for complete search history.

(56) **References Cited**

U.S. PATENT DOCUMENTS

2,609,716	A *	9/1952	Forman	30/91.2
2,768,276	A *	10/1956	Arntzen	81/9.44
3,107,287	A *	10/1963	Schechter	81/9.4
3,143,635	A *	8/1964	Hooker	219/221
3,237,489	A *	3/1966	Trethewey et al.	81/9.44
D293,414	S *	12/1987	Allen	D8/43
5,257,555	A *	11/1993	Saunders et al.	81/9.44
D364,324	S *	11/1995	Entwistle	D8/42
6,708,749	B2 *	3/2004	McLeod	156/584
D491,030	S	6/2004	Mituhiko	
6,750,431	B2 *	6/2004	Miyazaki	219/234
D505,053	S	5/2005	Mituhiko	

OTHER PUBLICATIONS

Hakko FT-801 Thermal Wire Stripper. Downloaded Mar. 9, 2011 at <http://www.hakkousa.com/detail.asp?PID=4835&ppPage=1>.*

* cited by examiner

Primary Examiner — Phillip S Hyder

Assistant Examiner — Roselynn Ulm Cody

(74) *Attorney, Agent, or Firm* — Squire, Sanders & Dempsey (US) LLP

(57) **CLAIM**

The ornamental design for a handle for wire insulation stripping tool, as shown and described.

DESCRIPTION

FIG. 1 is a first perspective view of a handle for wire insulation stripping tool;

FIG. 2 is a second perspective view thereof;

FIG. 3 is a front view thereof;

FIG. 4 is a rear view thereof;

FIG. 5 is a left side view thereof;

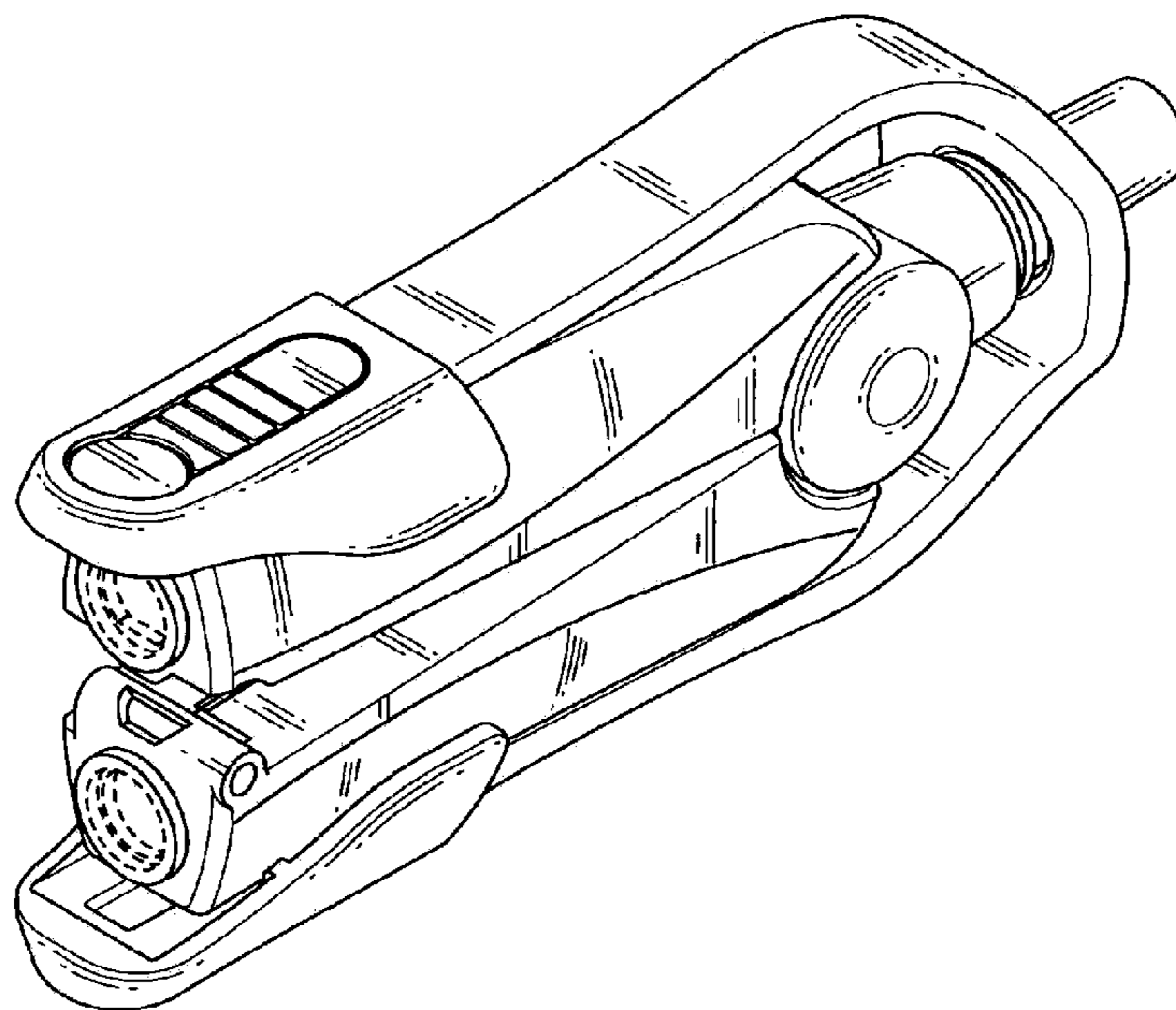
FIG. 6 is a right side view thereof;

FIG. 7 is a top view thereof; and,

FIG. 8 is a bottom view thereof.

The portion shown by broken lines is for illustrative purposes only and forms no part of the claimed design.

1 Claim, 4 Drawing Sheets



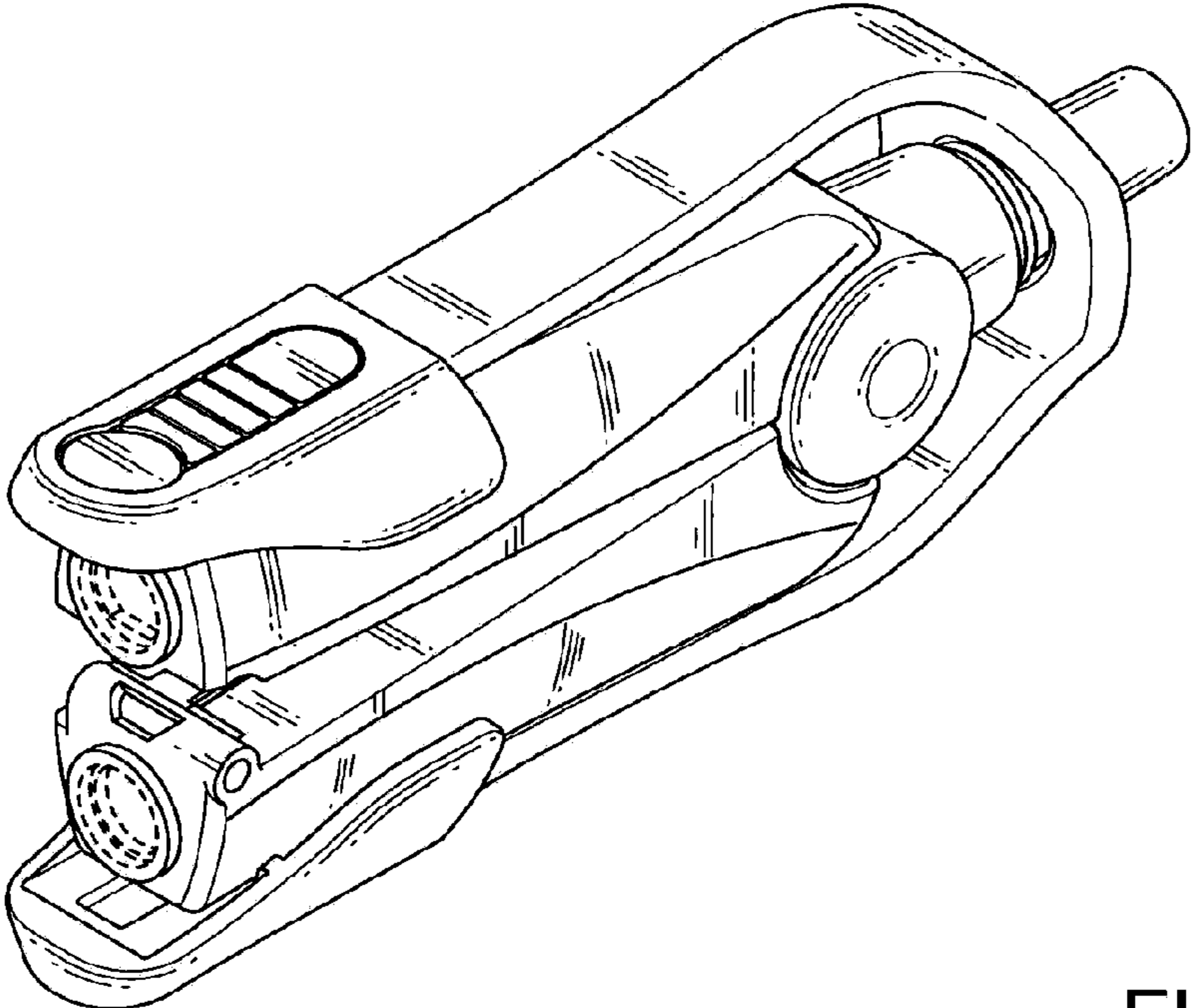


FIG. 1

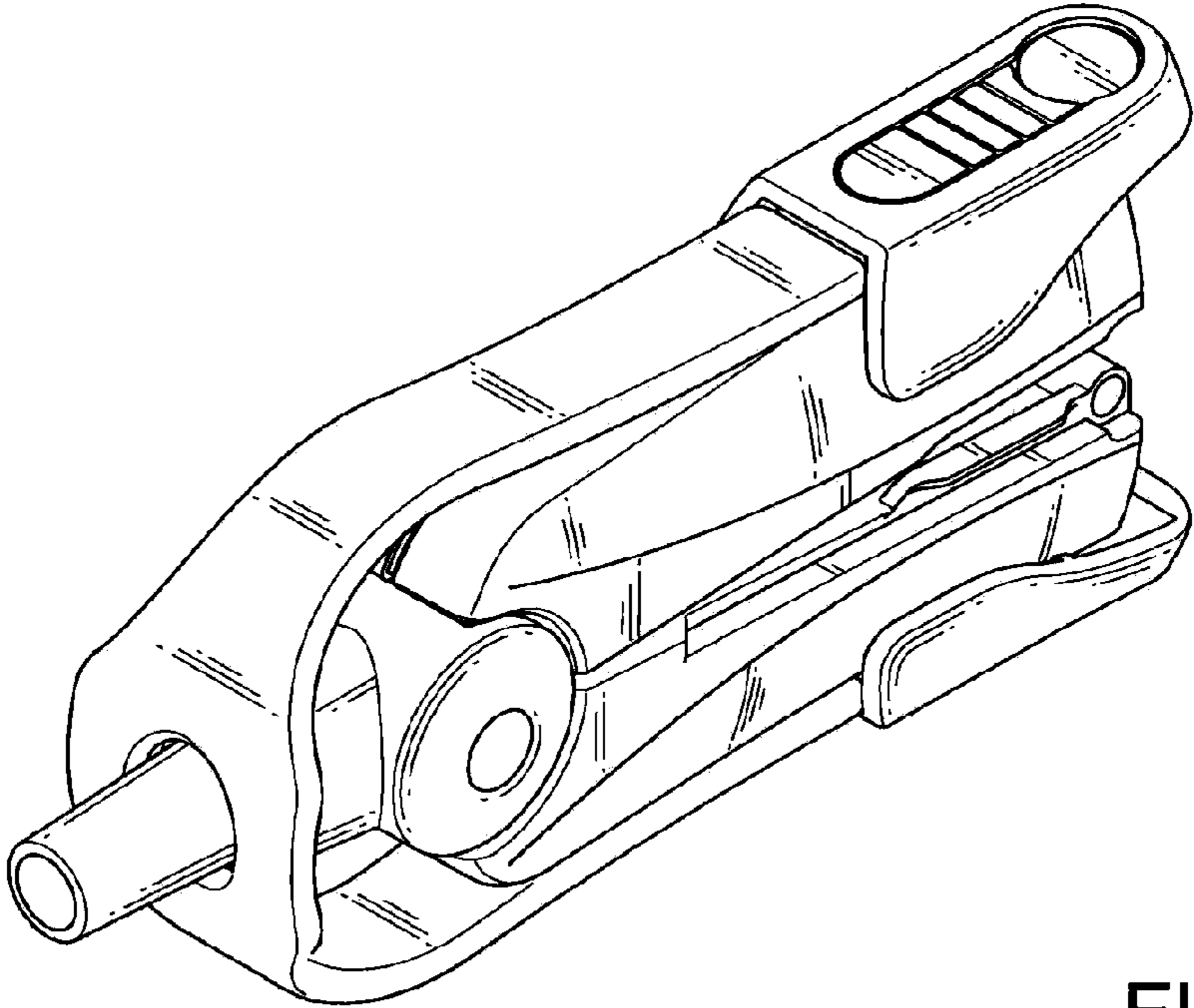


FIG. 2

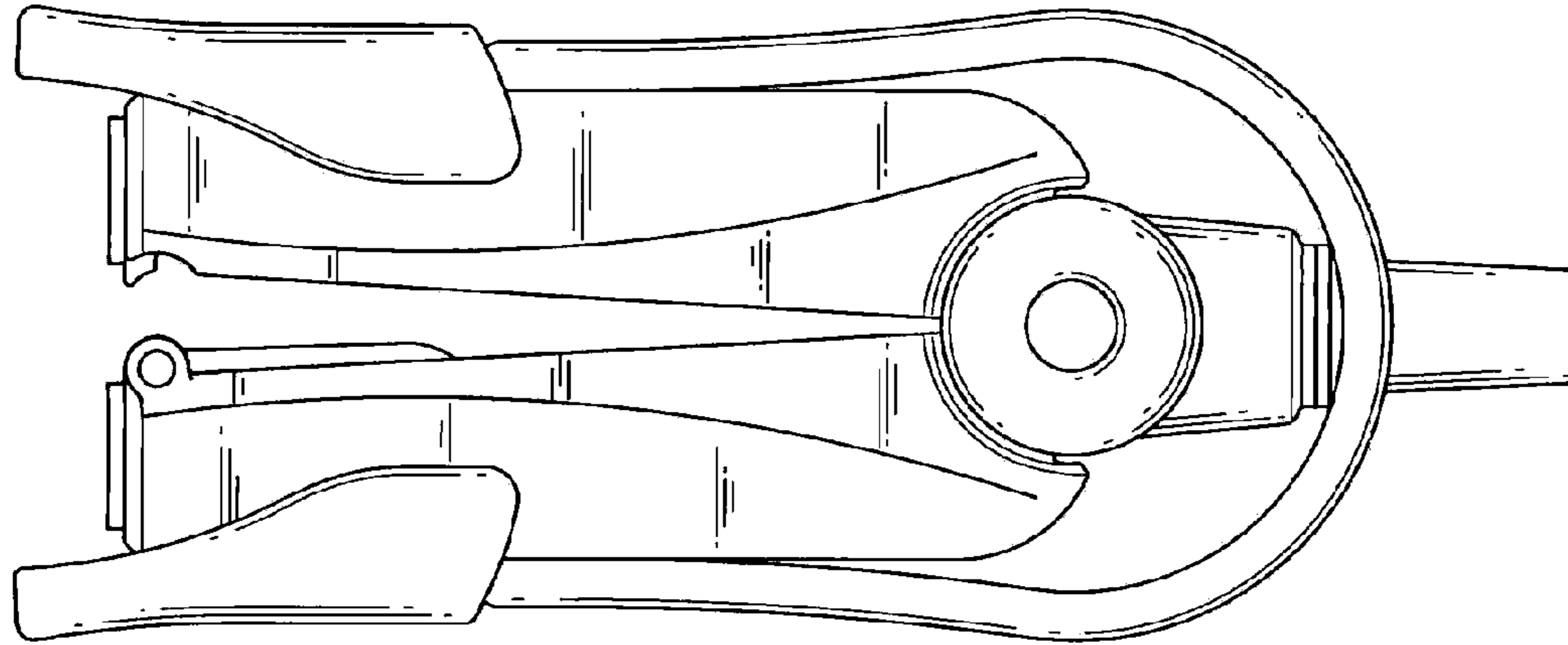


FIG.3

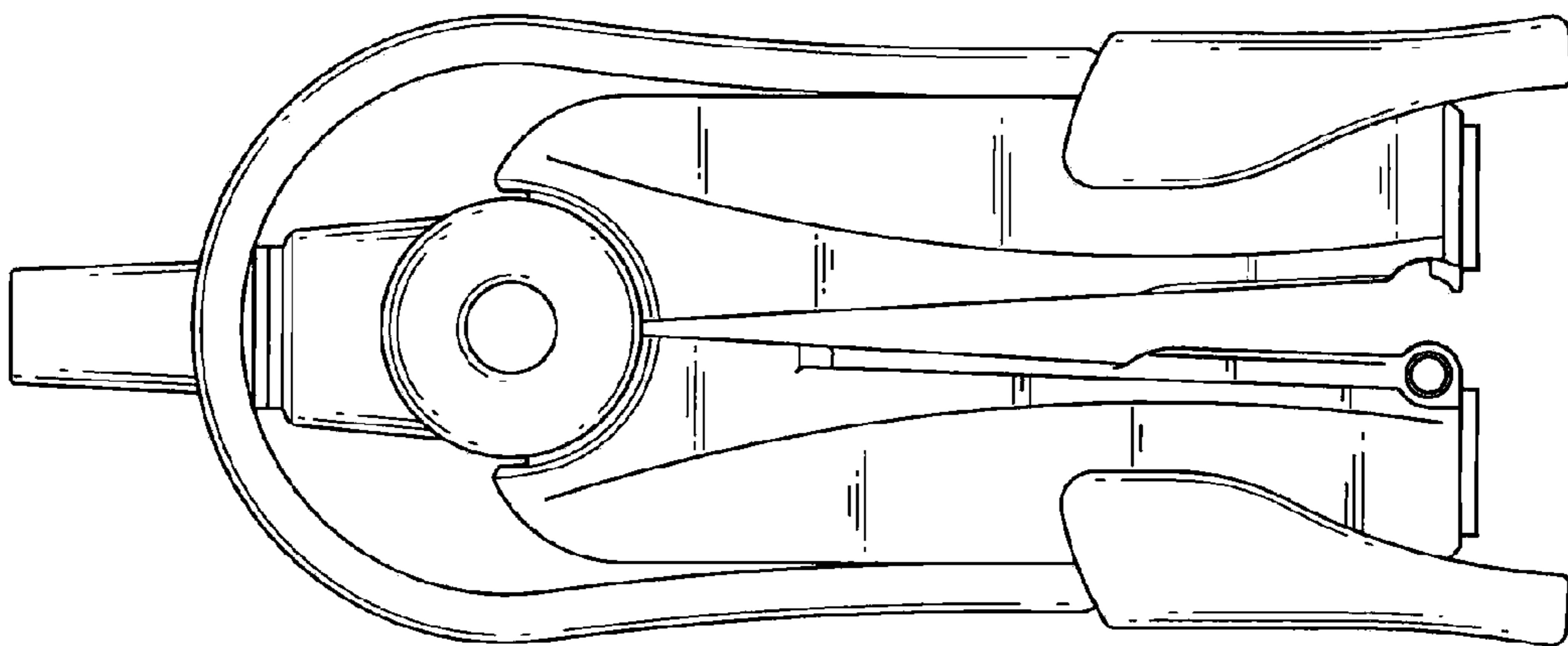


FIG.4

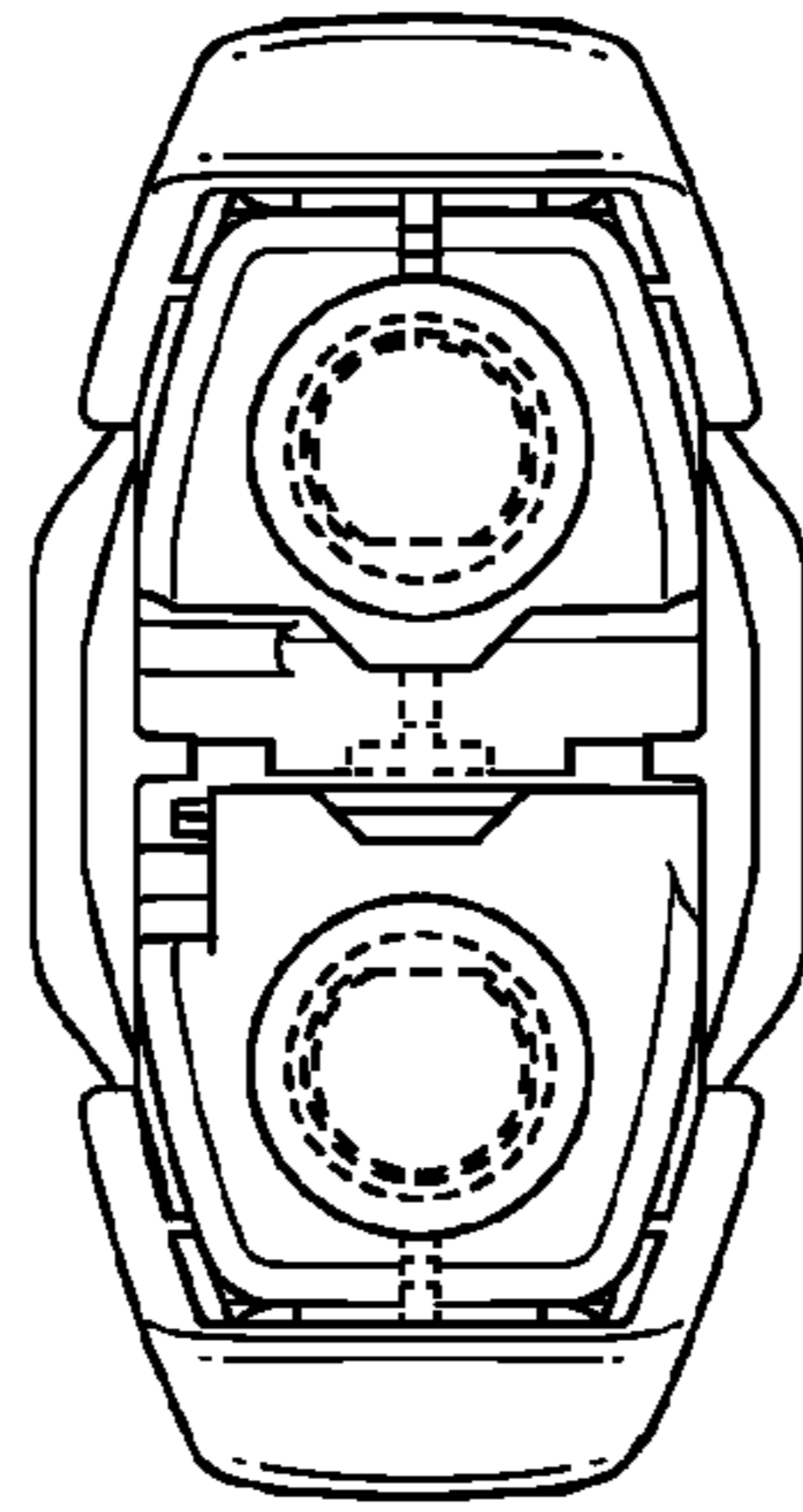


FIG.5

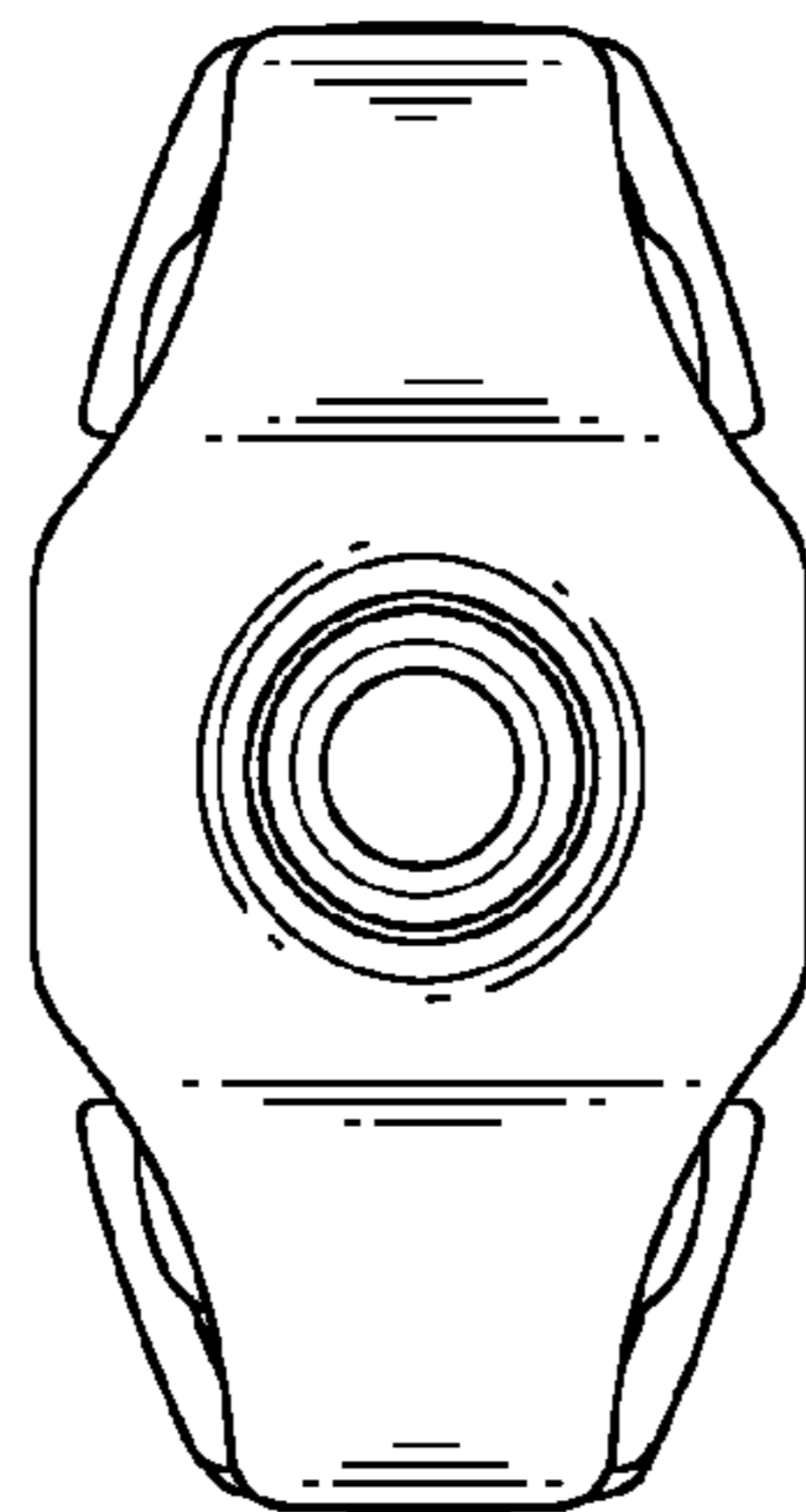


FIG.6

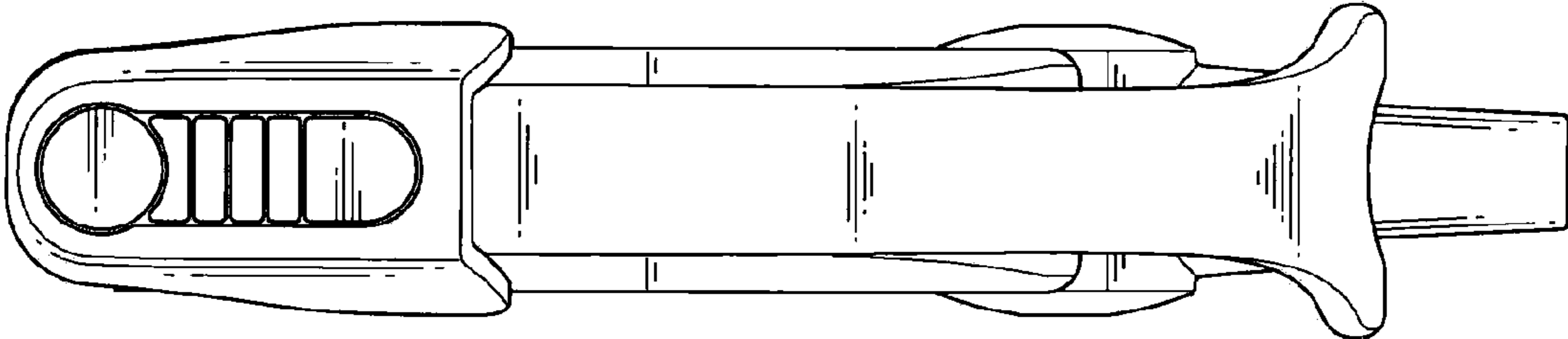


FIG. 7

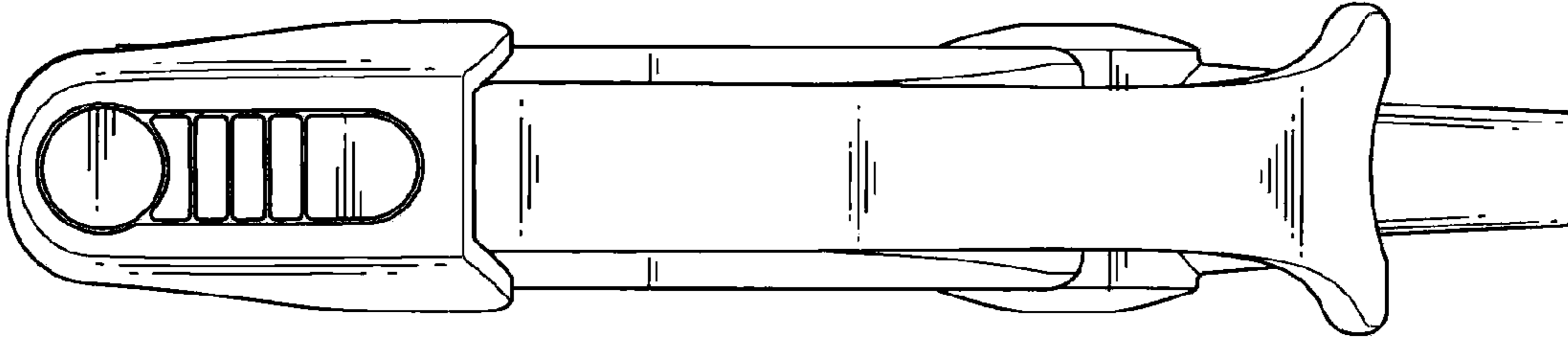


FIG. 8