



US00D641220S

(12) **United States Design Patent**
Shi

(10) **Patent No.:** **US D641,220 S**

(45) **Date of Patent:** **** Jul. 12, 2011**

(54) **HEAT GUN**

(75) Inventor: **Windy Shi**, Suzhou (CN)

(73) Assignee: **Black & Decker Inc.**, Newark, DE (US)

(**) Term: **14 Years**

(21) Appl. No.: **29/381,602**

(22) Filed: **Dec. 21, 2010**

(30) **Foreign Application Priority Data**

Jun. 25, 2010 (EP) 001221733

(51) **LOC (9) Cl.** **08-05**

(52) **U.S. Cl.** **D8/29.1**

(58) **Field of Classification Search** D8/29.1–29.2,
D8/30; D28/13; 219/222, 225, 227; 392/379–385
See application file for complete search history.

(56) **References Cited**

U.S. PATENT DOCUMENTS

| | | | | |
|--------------|---------|----------------|-------|---------|
| D280,338 S * | 8/1985 | Skarsten | | D8/29.1 |
| D293,020 S * | 12/1987 | Steinel et al. | | D23/332 |
| D297,398 S * | 8/1988 | Pagani | | D8/29.1 |
| D388,298 S * | 12/1997 | Jerdee et al. | | D8/29.1 |
| D456,679 S * | 5/2002 | Cheng | | D8/29.1 |
| D457,044 S * | 5/2002 | Cheng | | D8/29.1 |
| D457,407 S * | 5/2002 | Pretzell | | D8/29.1 |
| D481,277 S * | 10/2003 | Waldron | | D8/29.1 |

| | | | | |
|--------------|---------|--------------------|-------|---------|
| D516,883 S * | 3/2006 | Popov et al. | | D8/29.1 |
| D535,167 S * | 1/2007 | Monfeli et al. | | D8/30 |
| D552,443 S * | 10/2007 | Aglassinger et al. | | D8/29.1 |

OTHER PUBLICATIONS

Milwaukee Variable Temperature Heat Gun. Downloaded Mar. 14, 2011 at <http://www.build.com/milwaukee-8988-20-variable-temperature-heat-gun-90-f-to-1050-f/p112835?sourc...>*

* cited by examiner

Primary Examiner — Phillip S Hyder

Assistant Examiner — Roselynn Cody

(74) *Attorney, Agent, or Firm* — Stephen R. Valancius

(57) **CLAIM**

The ornamental design for a heat gun, as shown and described.

DESCRIPTION

FIG. 1 is a perspective view of a heat gun showing my new design.

FIG. 2 is a left side view of the heat gun according to FIG. 1.

FIG. 3 is a right side view of the heat gun according to FIG. 1.

FIG. 4 is a front view of the heat gun according to FIG. 1.

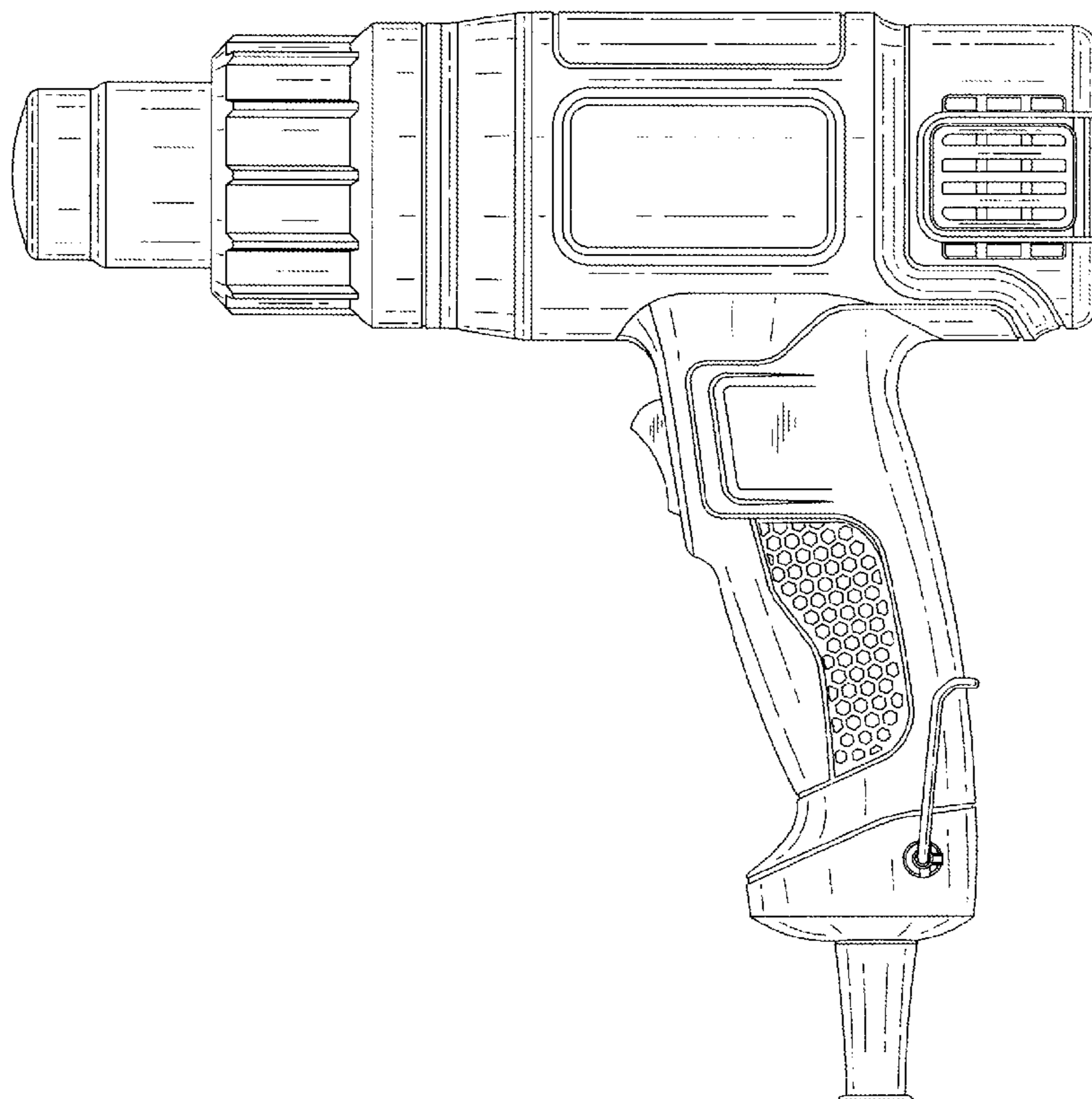
FIG. 5 is a rear view of the heat gun according to FIG. 1.

FIG. 6 is a top view of the heat gun according to FIG. 1; and,

FIG. 7 is a bottom view of the heat gun according to FIG. 1.

The broken lines in FIG. 4 illustrate features that form no part of the claimed design.

1 Claim, 5 Drawing Sheets



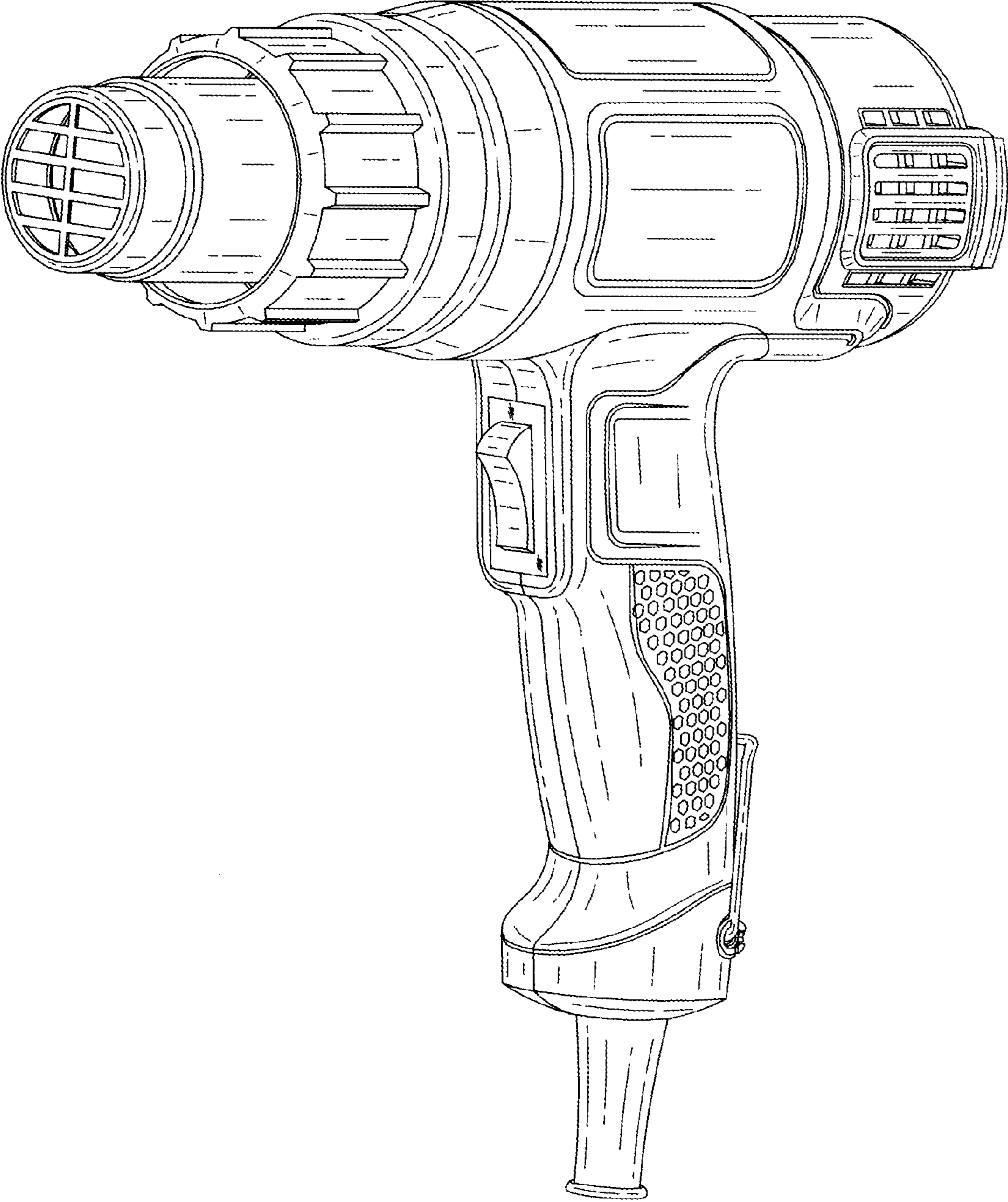


FIG.1

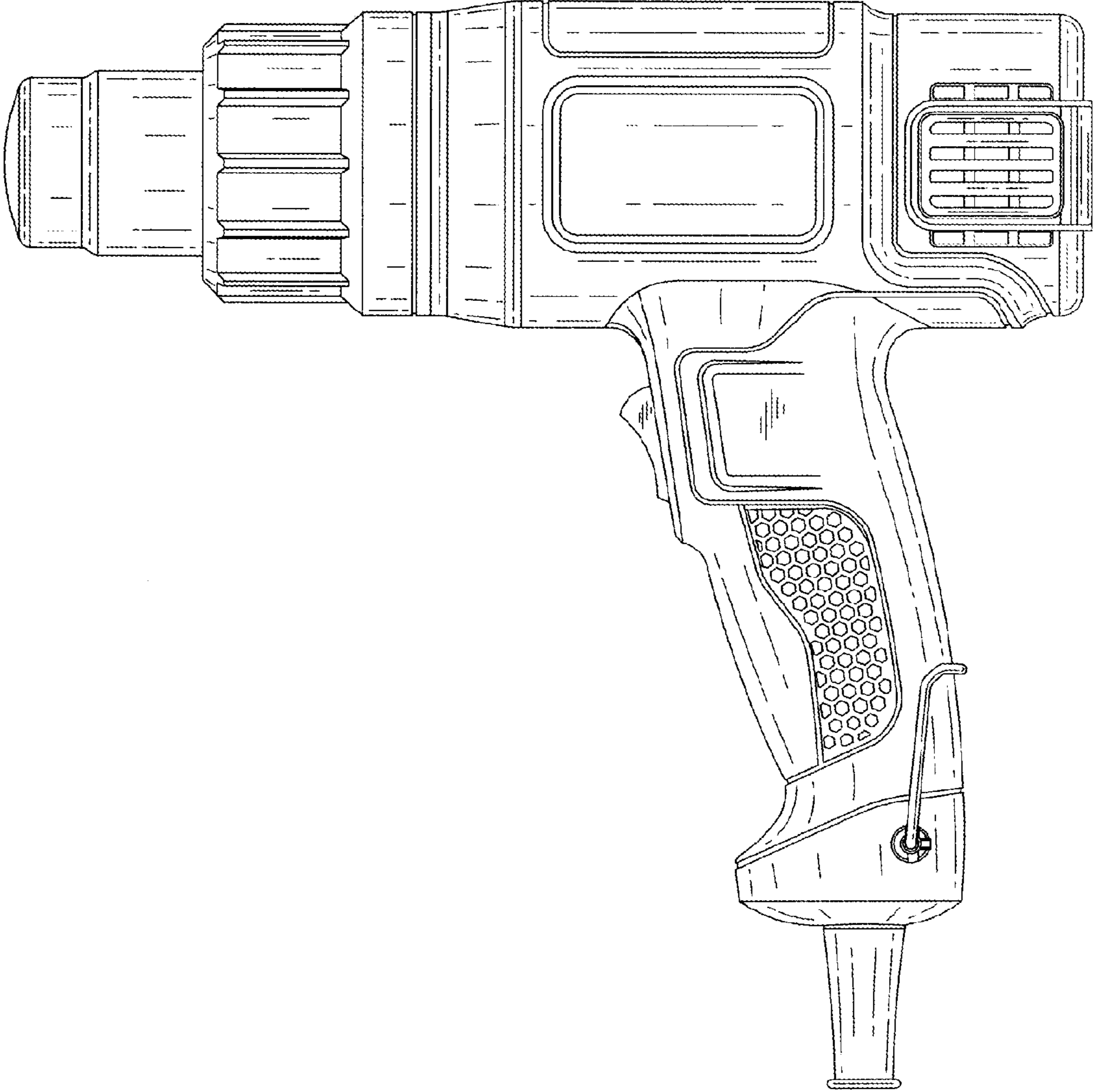


FIG.2

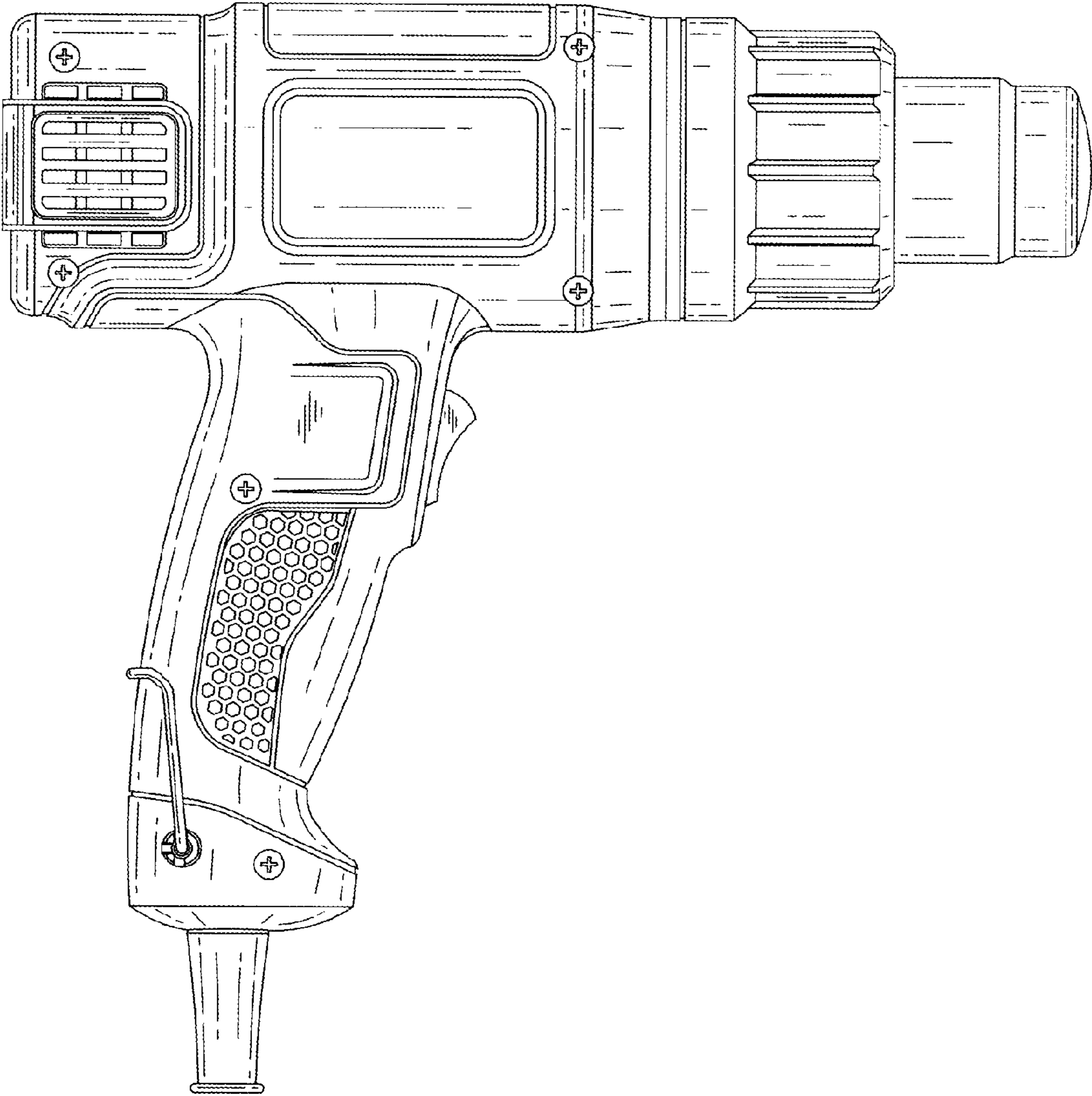


FIG.3

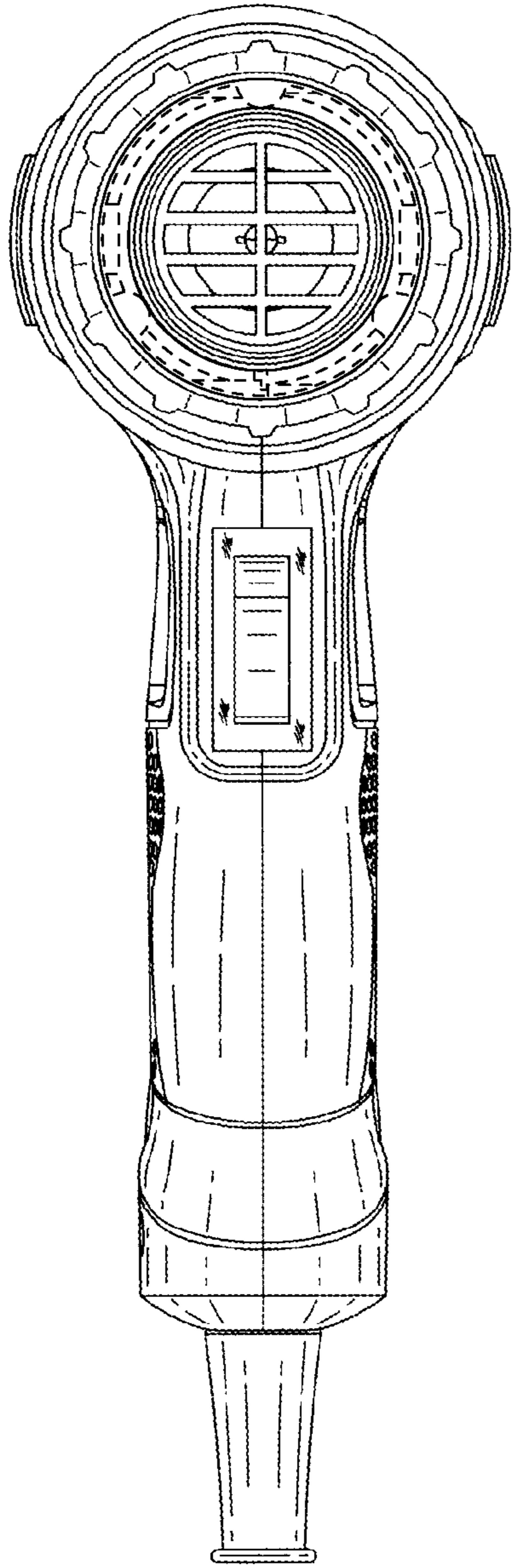


FIG. 4

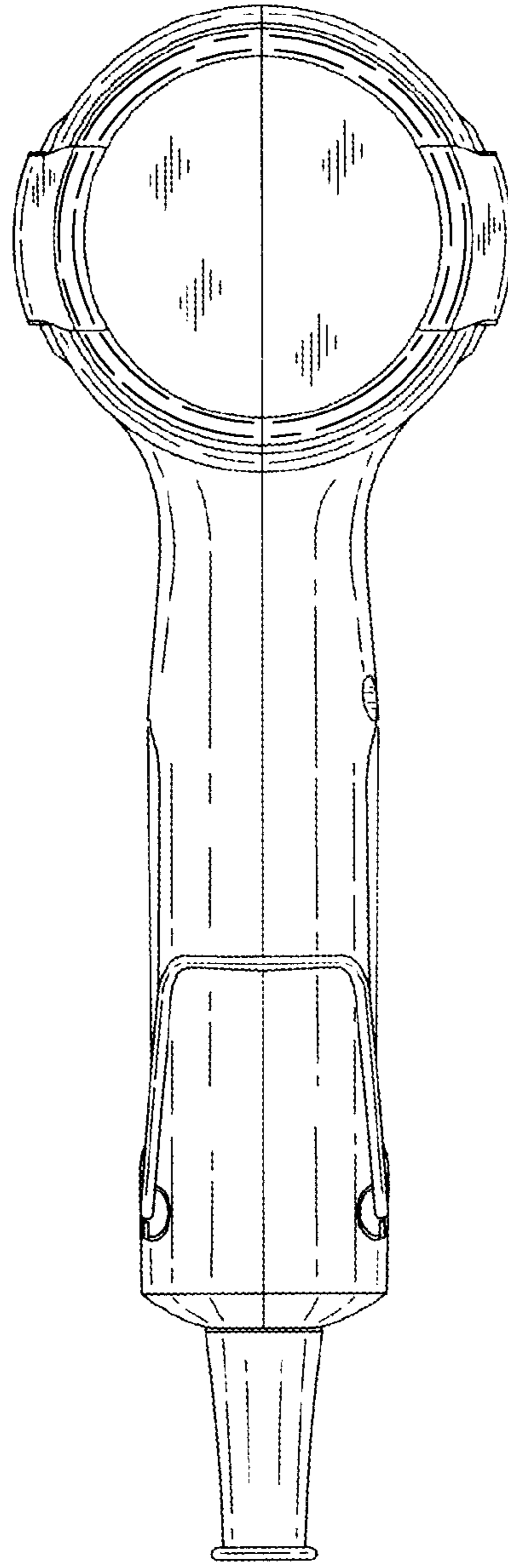


FIG. 5

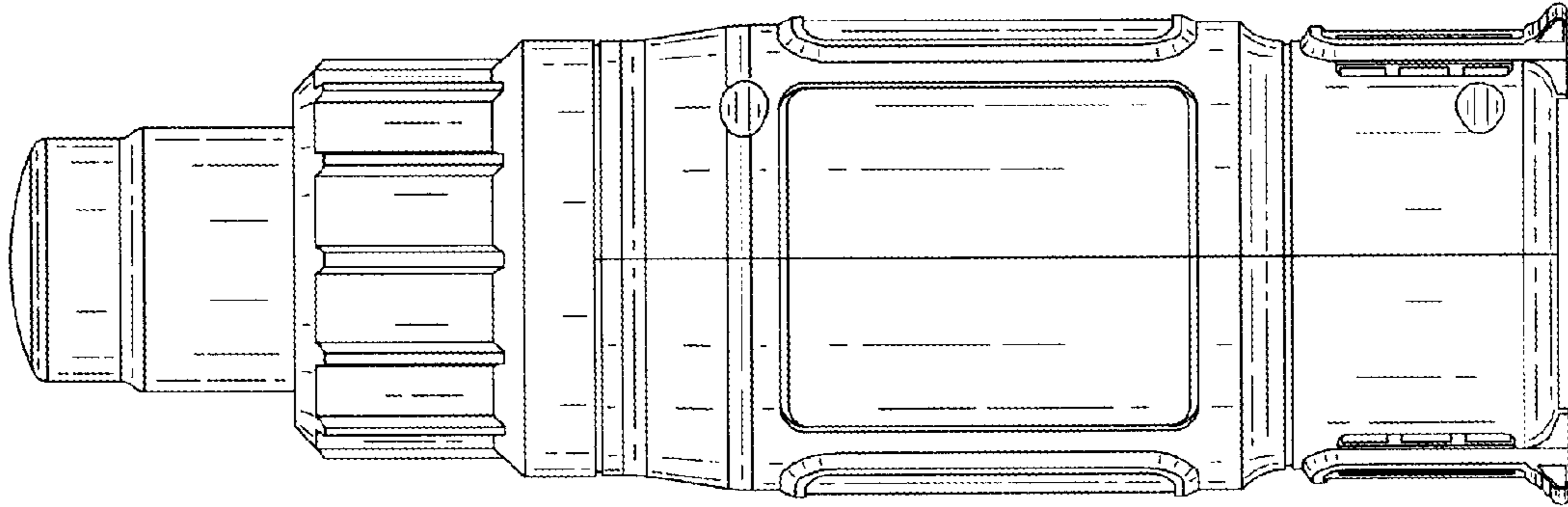


FIG. 6

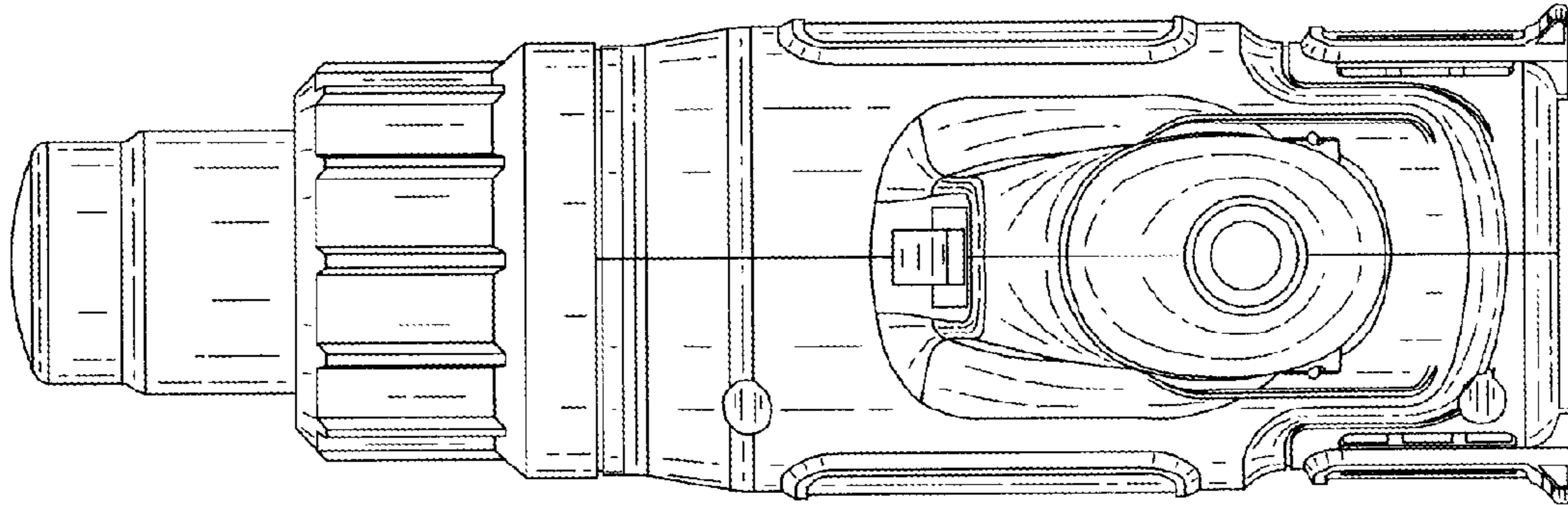


FIG. 7