



US00D641219S

(12) **United States Design Patent**
Zeilinger

(10) **Patent No.:** **US D641,219 S**

(45) **Date of Patent:** **** Jul. 12, 2011**

(54) **FLEXIBLE, RIBBON-TIED,
PRESENT-SHAPED FOOD MOLD**

(76) Inventor: **James E. Zeilinger**, Cleveland, OH (US)

(**) Term: **14 Years**

(21) Appl. No.: **29/349,112**

(22) Filed: **Mar. 10, 2010**

(51) **LOC (9) Cl.** **07-02**

(52) **U.S. Cl.** **D7/675; D7/354**

(58) **Field of Classification Search** D7/672-677,
D7/354, 368, 669, 628, 602; 249/102, 91,
249/92, 115, 119, 121; 426/512, 537; 30/114,
30/315, 314, 301-306; 206/457

See application file for complete search history.

(56) **References Cited**

U.S. PATENT DOCUMENTS

D244,749 S	6/1977	Hodges	D9/238
D330,832 S	11/1992	Goodman	D7/675
D365,493 S *	12/1995	Lundberg	D7/354
D374,398 S	10/1996	Larson	D9/334
D516,858 S	3/2006	Henry et al.	D7/359
D528,352 S	9/2006	Morgan	D7/354

D540,616 S *	4/2007	Nichols et al.	D7/354
7,201,358 B2 *	4/2007	Nichols et al.	249/115
2006/0068070 A1 *	3/2006	Nichols et al.	426/512

* cited by examiner

Primary Examiner — Terry Wallace

(74) *Attorney, Agent, or Firm* — David A. Burge

(57) **CLAIM**

I claim the ornamental design for flexible, ribbon-tied, present-shaped food mold, as shown and described.

DESCRIPTION

FIG. 1 is a perspective view of my new design showing interior features including rear, right side and top end walls together with exterior features including left side and bottom end walls;

FIG. 2 is an inverted right side view thereof;

FIG. 3 is an inverted left side view thereof;

FIG. 4 is a perspective view showing exterior features including rear, right side and bottom end walls;

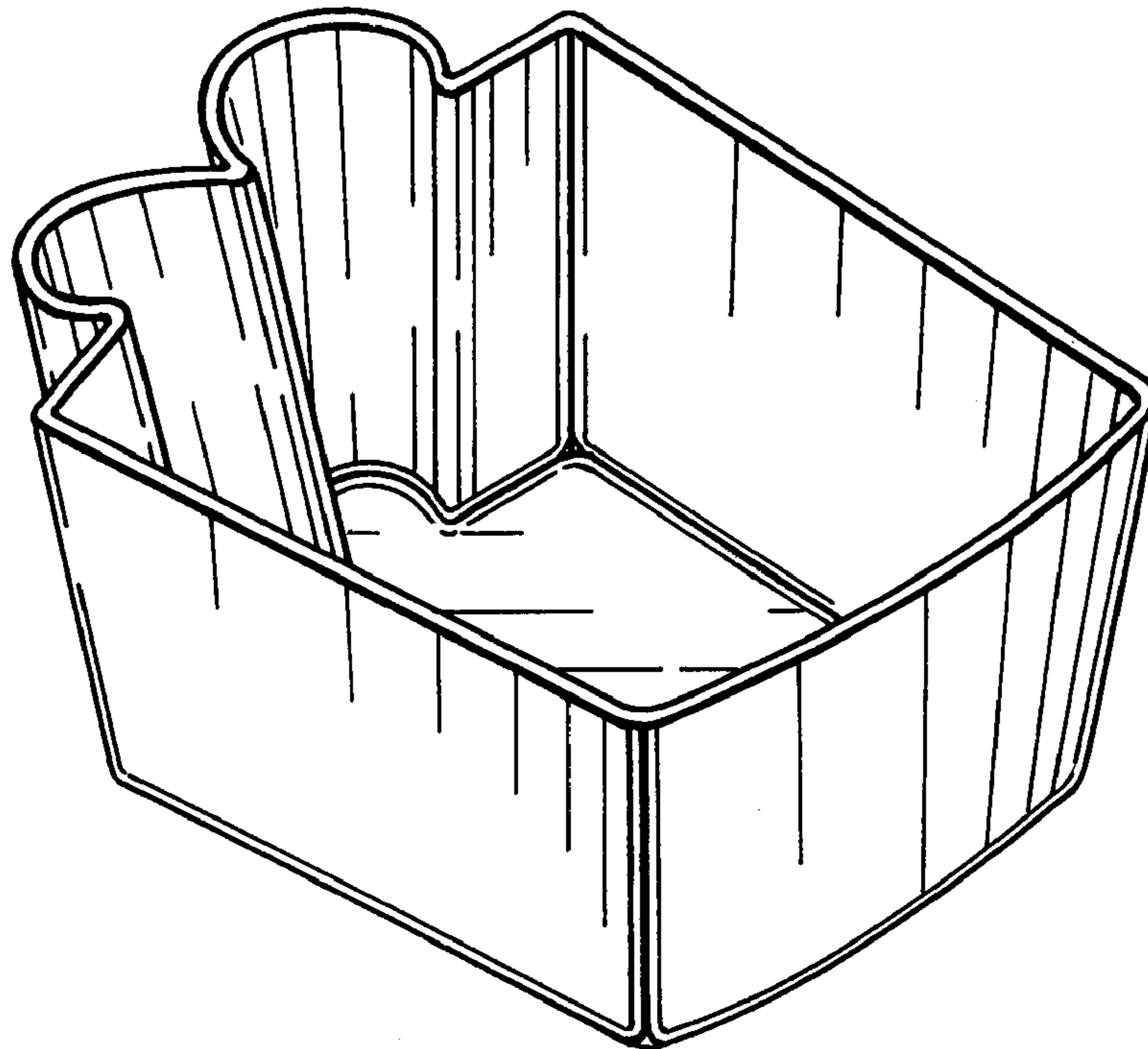
FIG. 5 is a rear elevational view thereof;

FIG. 6 is an inverted top end view thereof;

FIG. 7 is an inverted bottom end view thereof; and,

FIG. 8 is a front elevational view thereof.

1 Claim, 3 Drawing Sheets



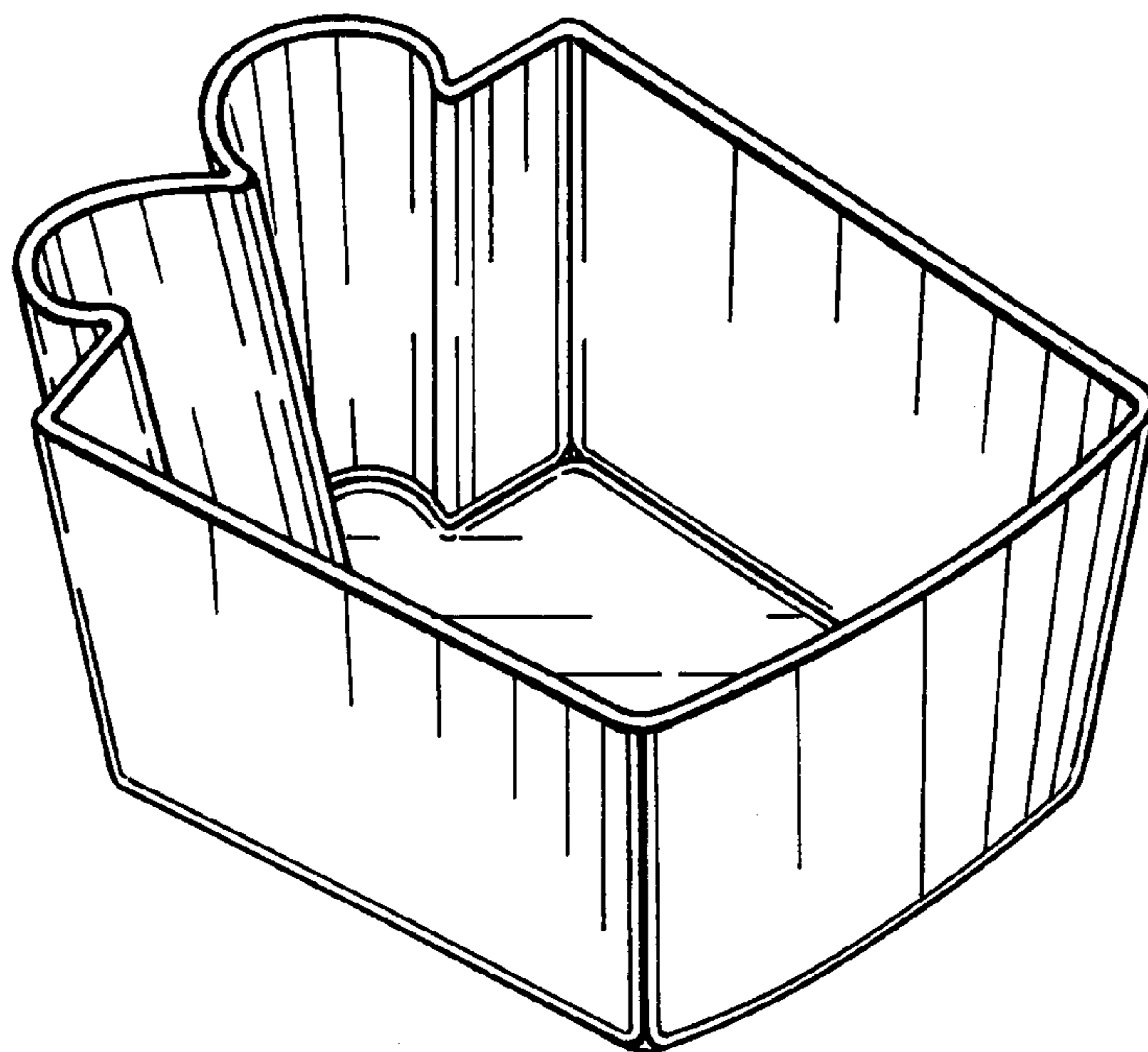


FIG. 1

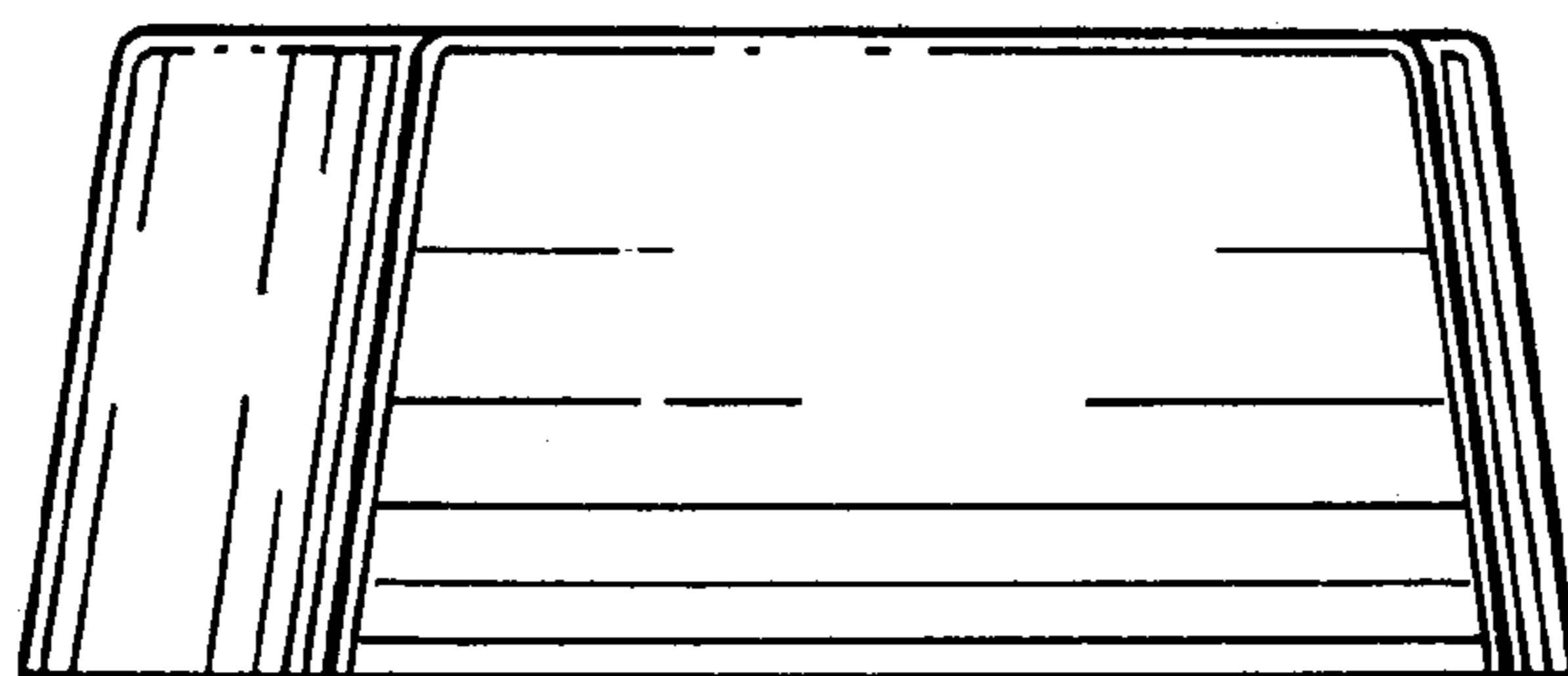


FIG. 2

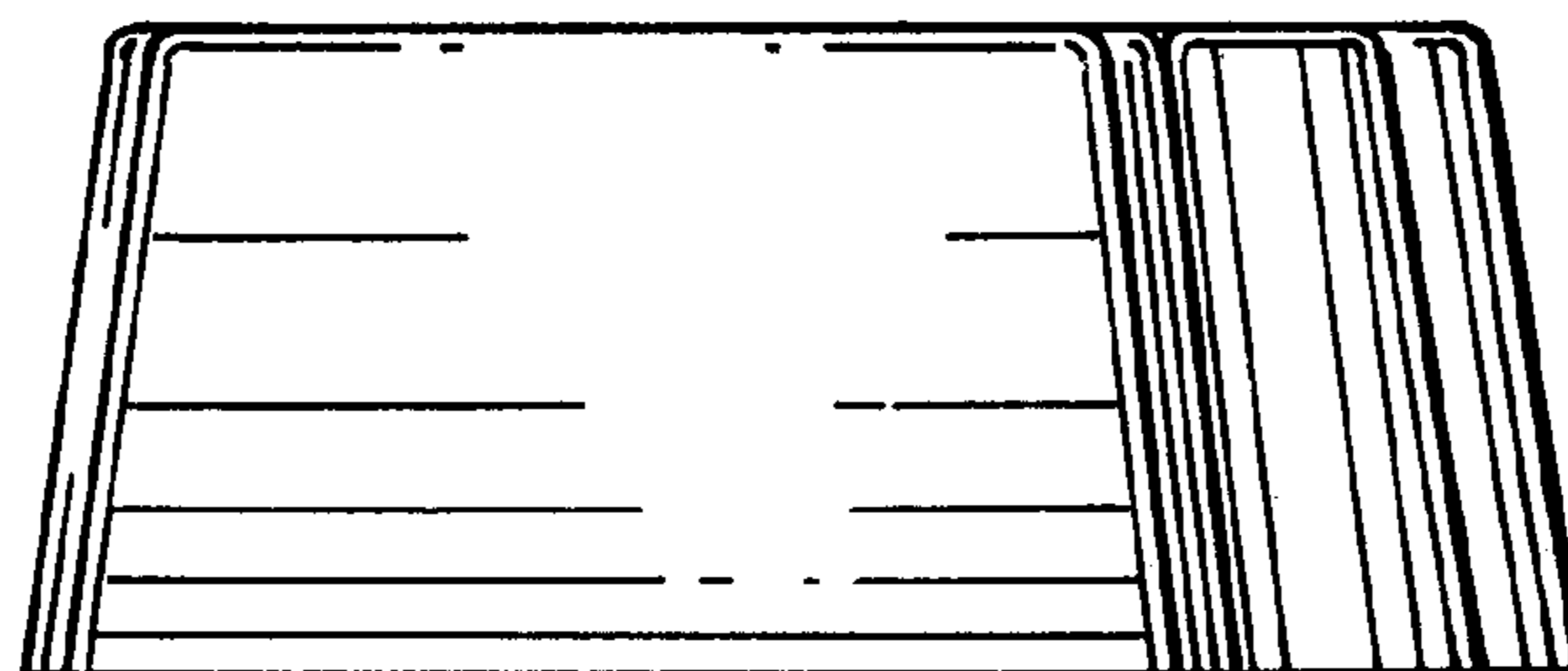


FIG. 3

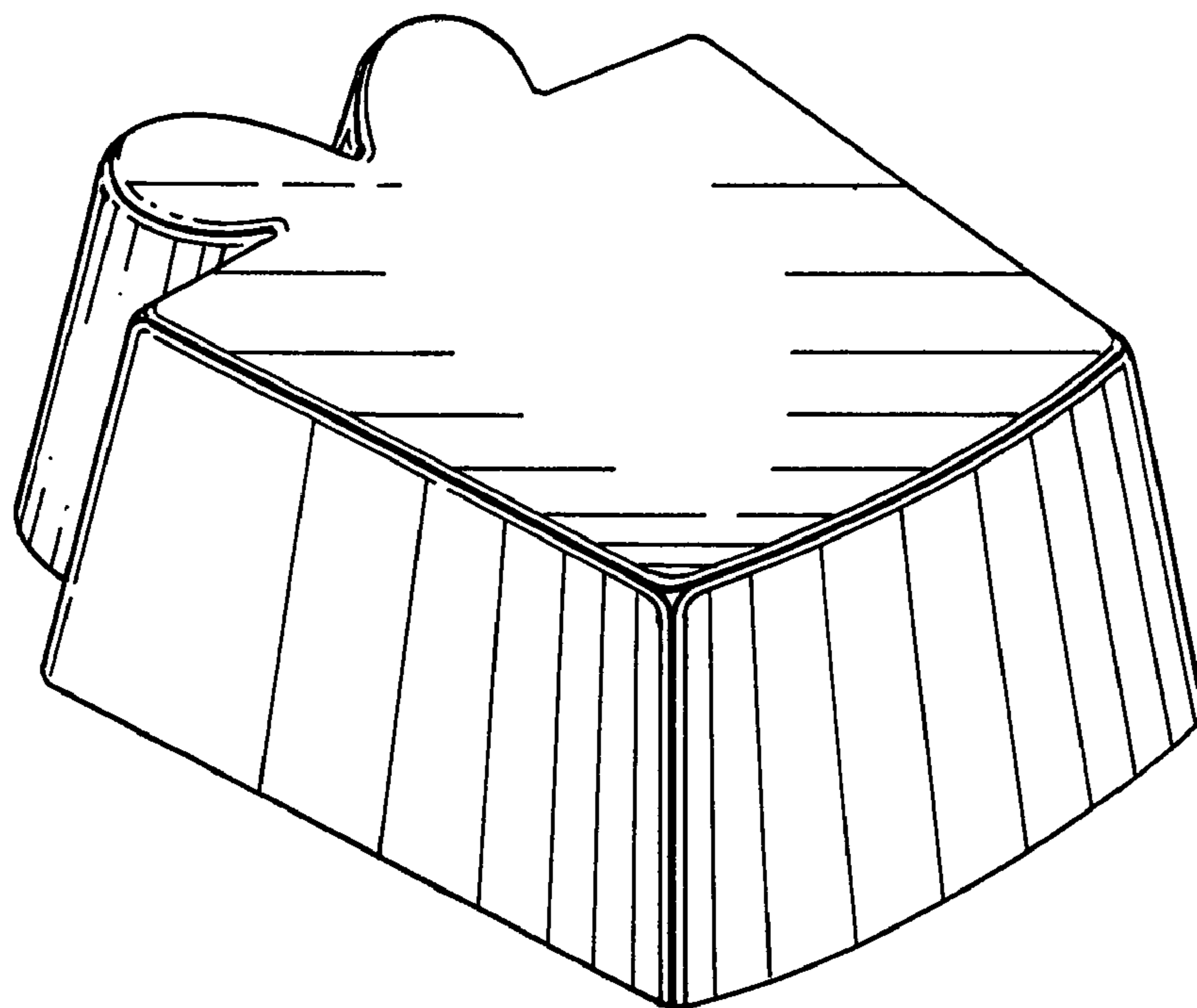


FIG. 4

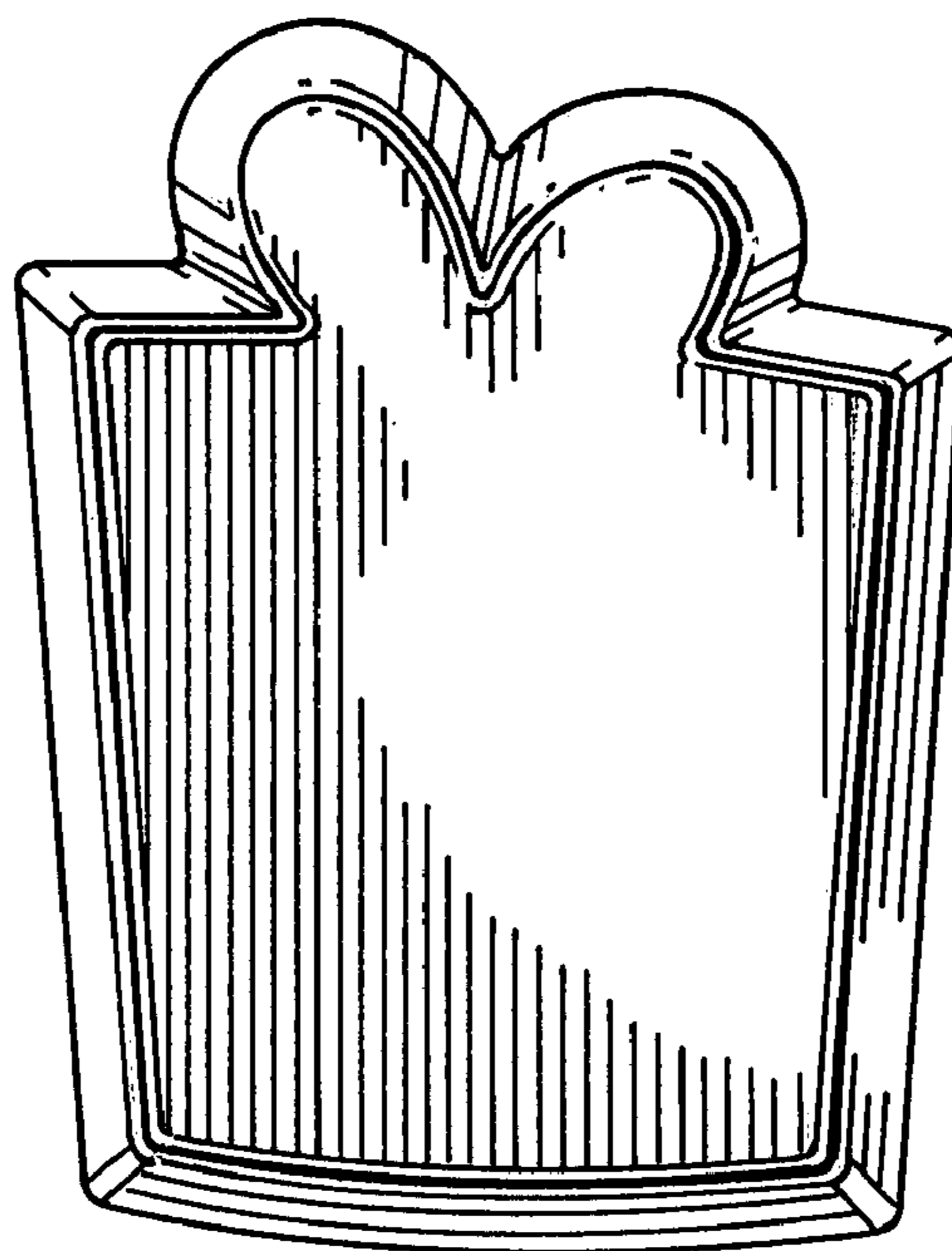


FIG. 5

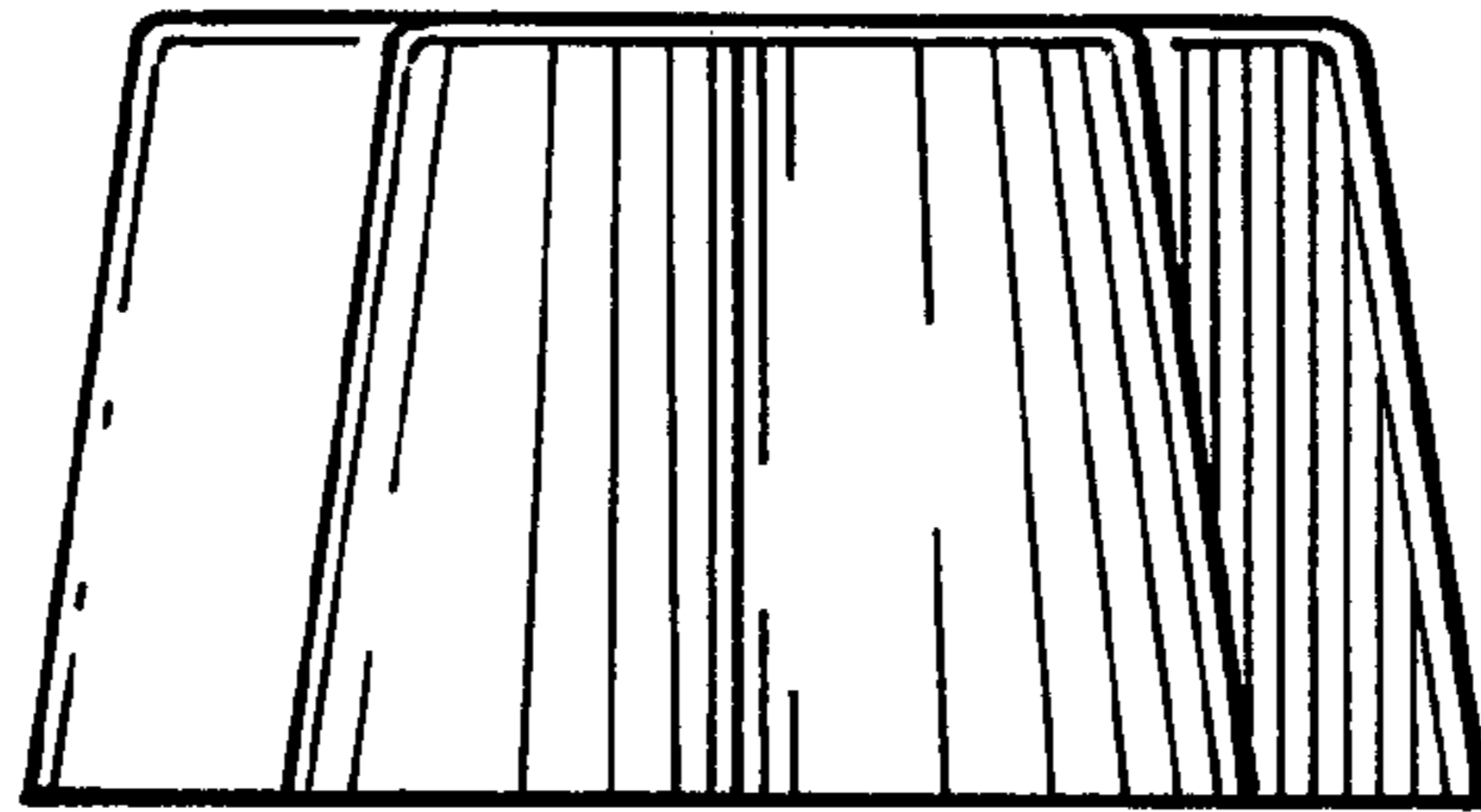


FIG. 6

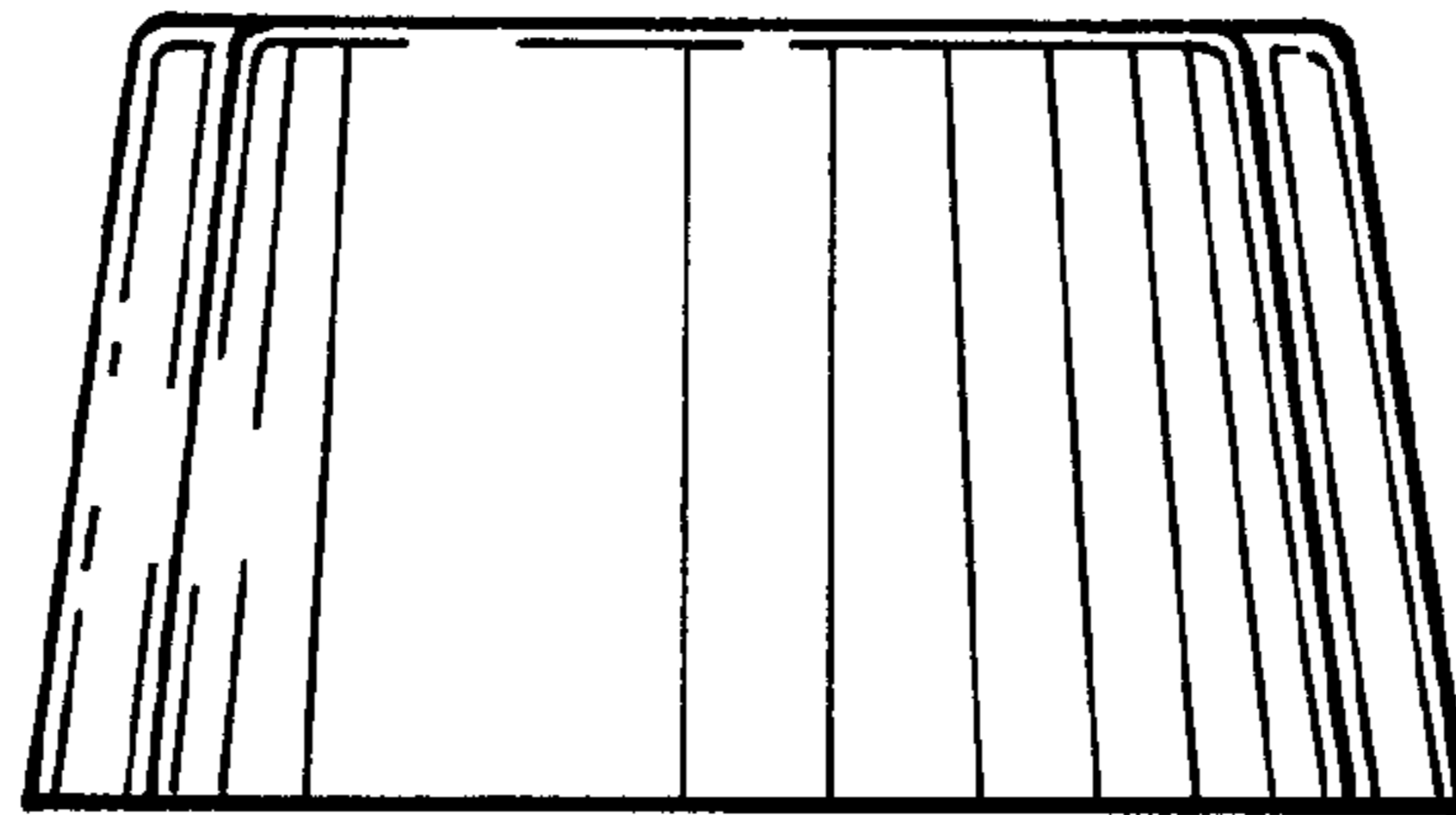


FIG. 7

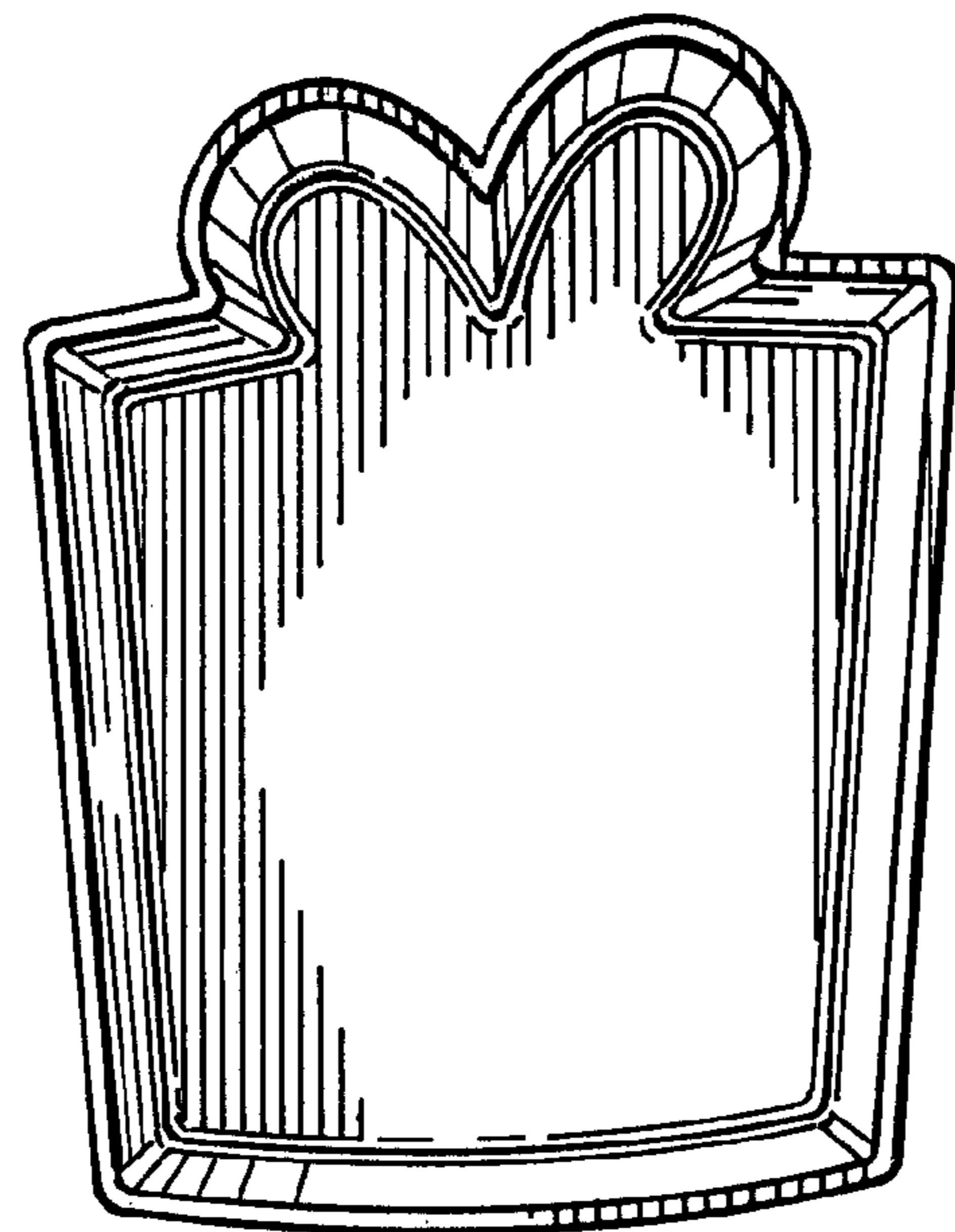


FIG. 8