

US00D641218S

(12) **United States Design Patent**  
**Galea**

(10) **Patent No.:** **US D641,218 S**

(45) **Date of Patent:** **\*\* Jul. 12, 2011**

(54) **CAKE GUARD**

(76) Inventor: **Louise Galea**, Staten Island, NY (US)

(\*\*) Term: **14 Years**

(21) Appl. No.: **29/370,270**

(22) Filed: **Jun. 23, 2010**

(51) **LOC (9) Cl.** ..... **07-06**

(52) **U.S. Cl.** ..... **D7/669**

(58) **Field of Classification Search** ..... D7/669,  
D7/673; 99/645, 516, DIG. 15; 30/114,  
30/300, 124; 220/531, 529, 694, 912  
See application file for complete search history.

(56) **References Cited**

**U.S. PATENT DOCUMENTS**

|           |      |         |               |         |
|-----------|------|---------|---------------|---------|
| 2,598,789 | A *  | 6/1952  | Harrell       | 99/645  |
| 2,617,350 | A *  | 11/1952 | Shol          | 99/645  |
| 2,716,066 | A *  | 8/1955  | Baker         | 99/516  |
| 3,677,168 | A *  | 7/1972  | Bell          | 99/645  |
| 4,385,554 | A    | 5/1983  | Daenen et al. | 99/645  |
| 5,446,965 | A    | 9/1995  | Makridis      | 30/303  |
| 6,287,619 | B1 * | 9/2001  | Khan          | 426/523 |
| D586,627  | S    | 2/2009  | Carrell       | D7/672  |

D593,363 S 6/2009 Collinson ..... D7/409  
\* cited by examiner

*Primary Examiner* — Terry Wallace

(74) *Attorney, Agent, or Firm* — Goldstein Law Office, P.C.

(57) **CLAIM**

The ornamental design for a cake guard, as shown and described.

**DESCRIPTION**

FIG. 1 is a perspective view of the cake guard, in a folded position, in full lines.

FIG. 2 is a perspective view of the cake guard as shown in FIG. 1, and viewed from an opposite angle therefrom.

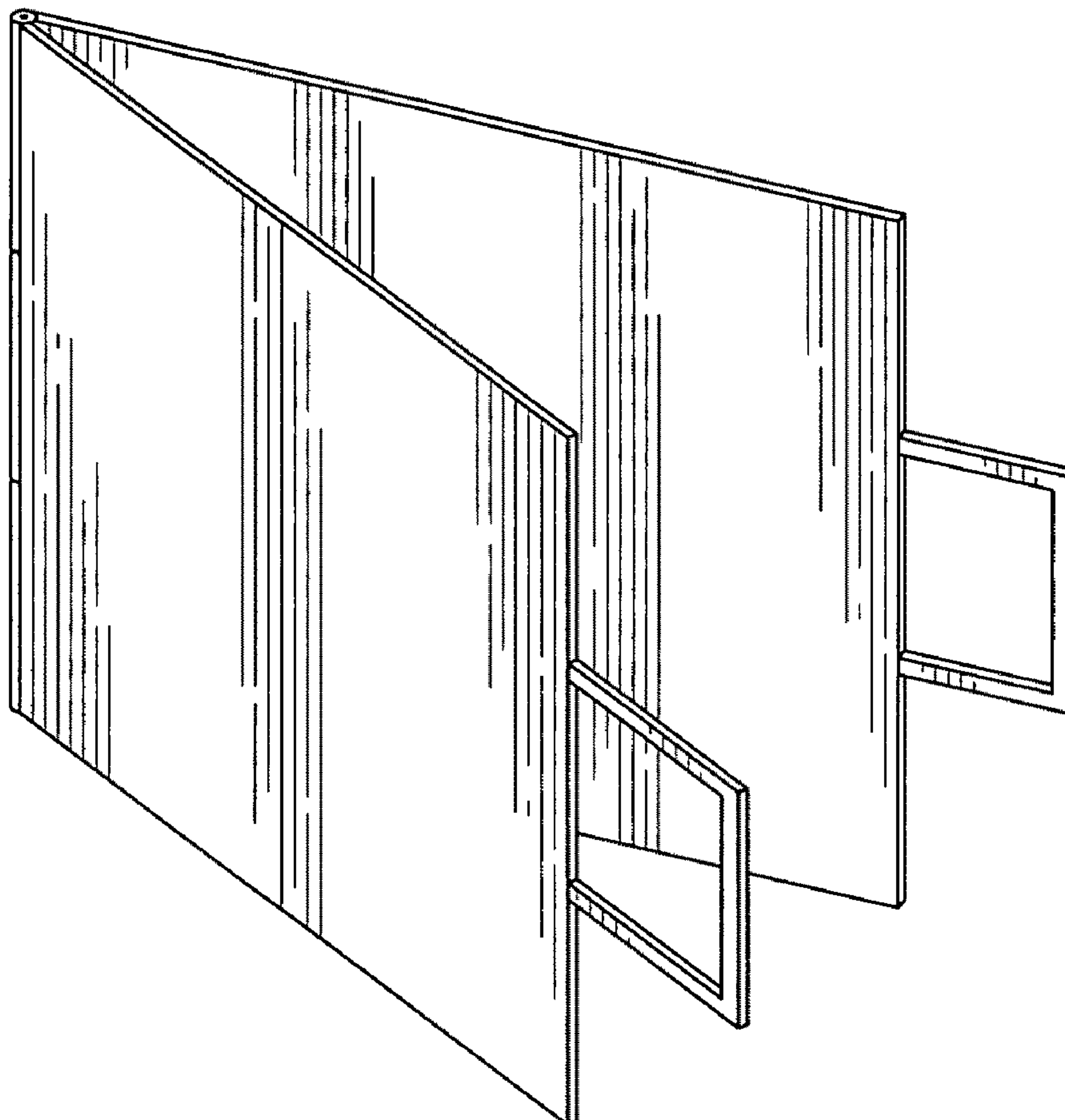
FIG. 3 is a top plan view of the cake guard, folded flat, the bottom plan view being identical thereto.

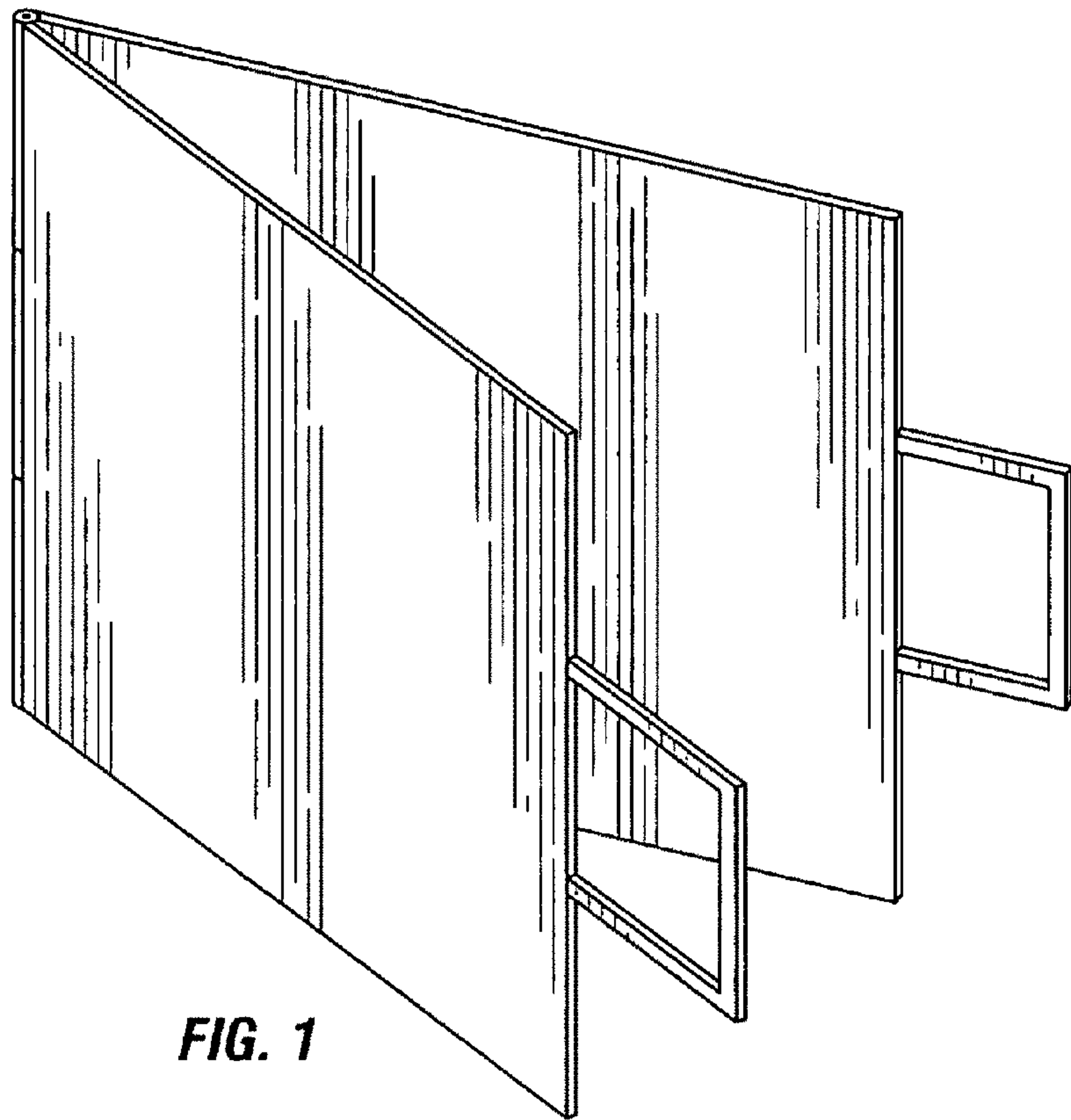
FIG. 4 is a front elevational view of the cake guard, the rear elevational view being identical thereto.

FIG. 5 is a right side elevational view of the cake guard, the left elevational view being identical thereto; and,

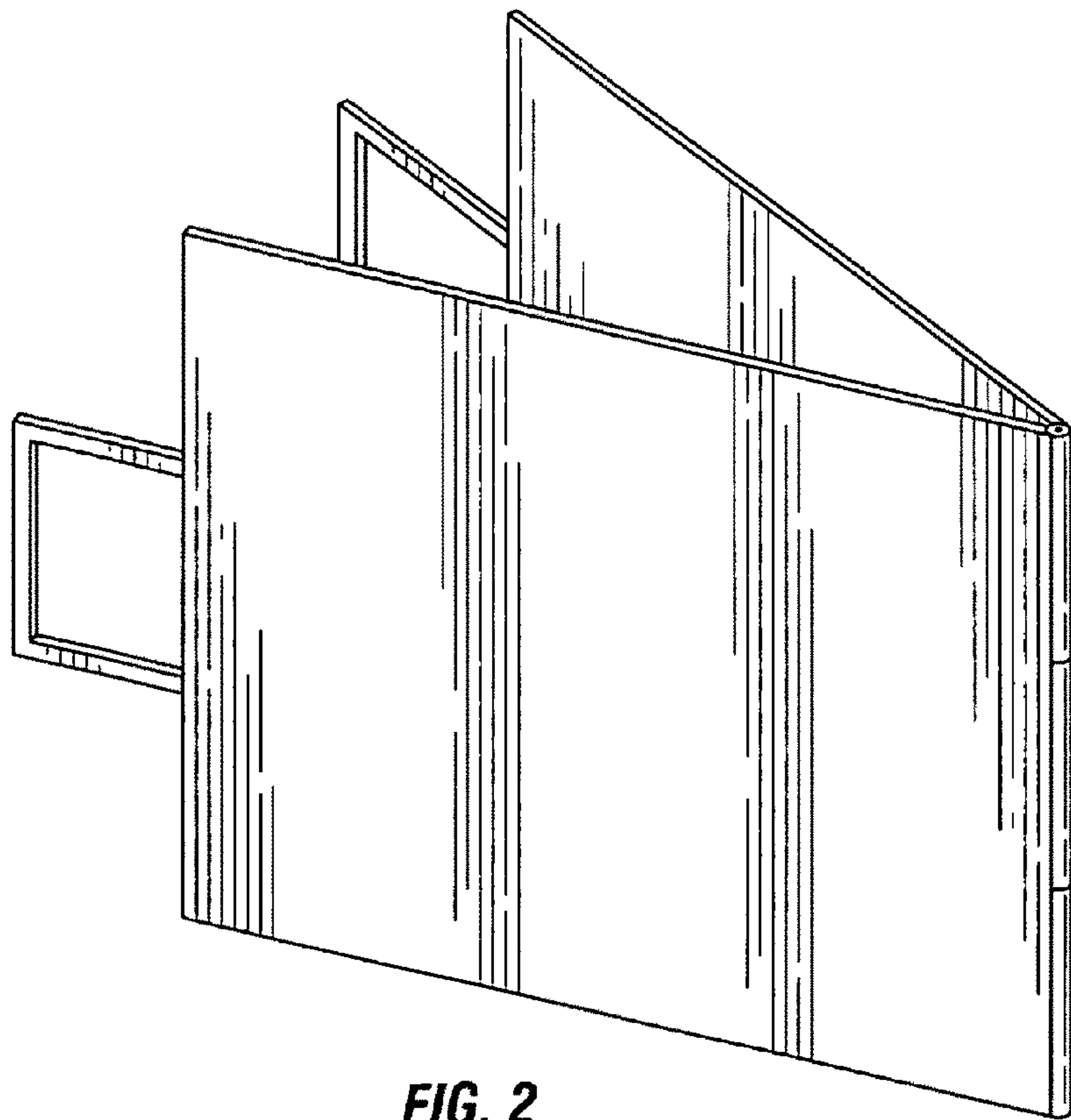
FIG. 6 is a perspective view of the cake guard in the folded position shown in FIGS. 1 and 2, in full lines, with a cake shown in broken lines representing environmental association matter being for illustrative purposes only and forming no part of the claimed invention.

**1 Claim, 3 Drawing Sheets**





**FIG. 1**



**FIG. 2**

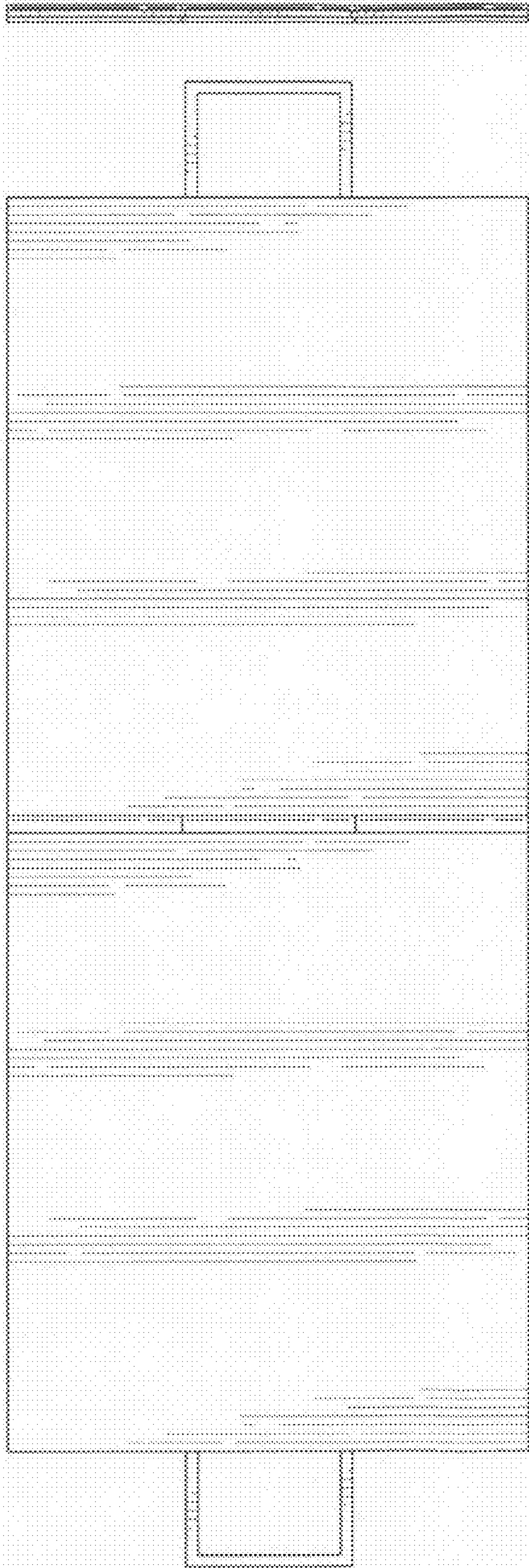


FIG. 3

FIG. 4



FIG. 5



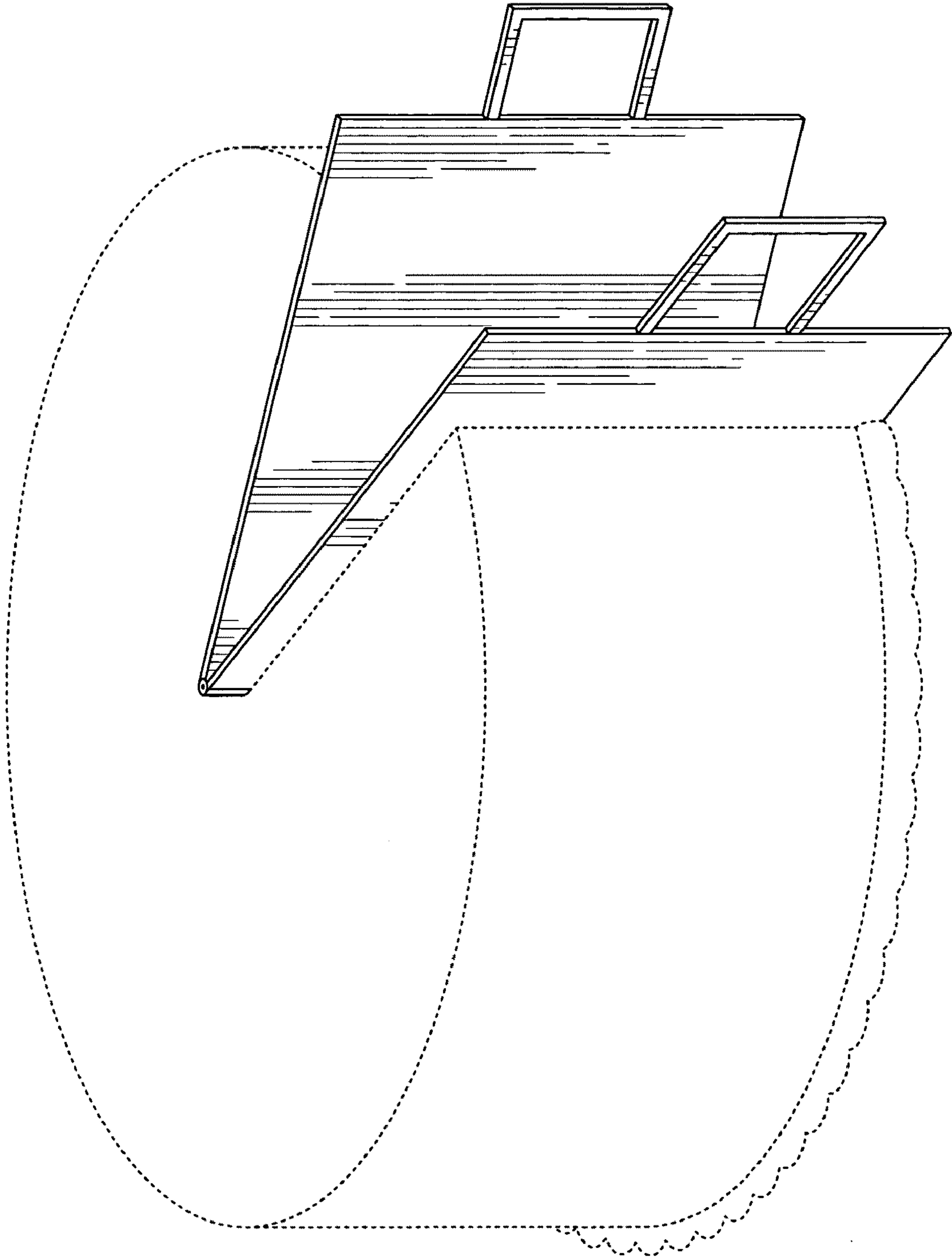


FIG. 6